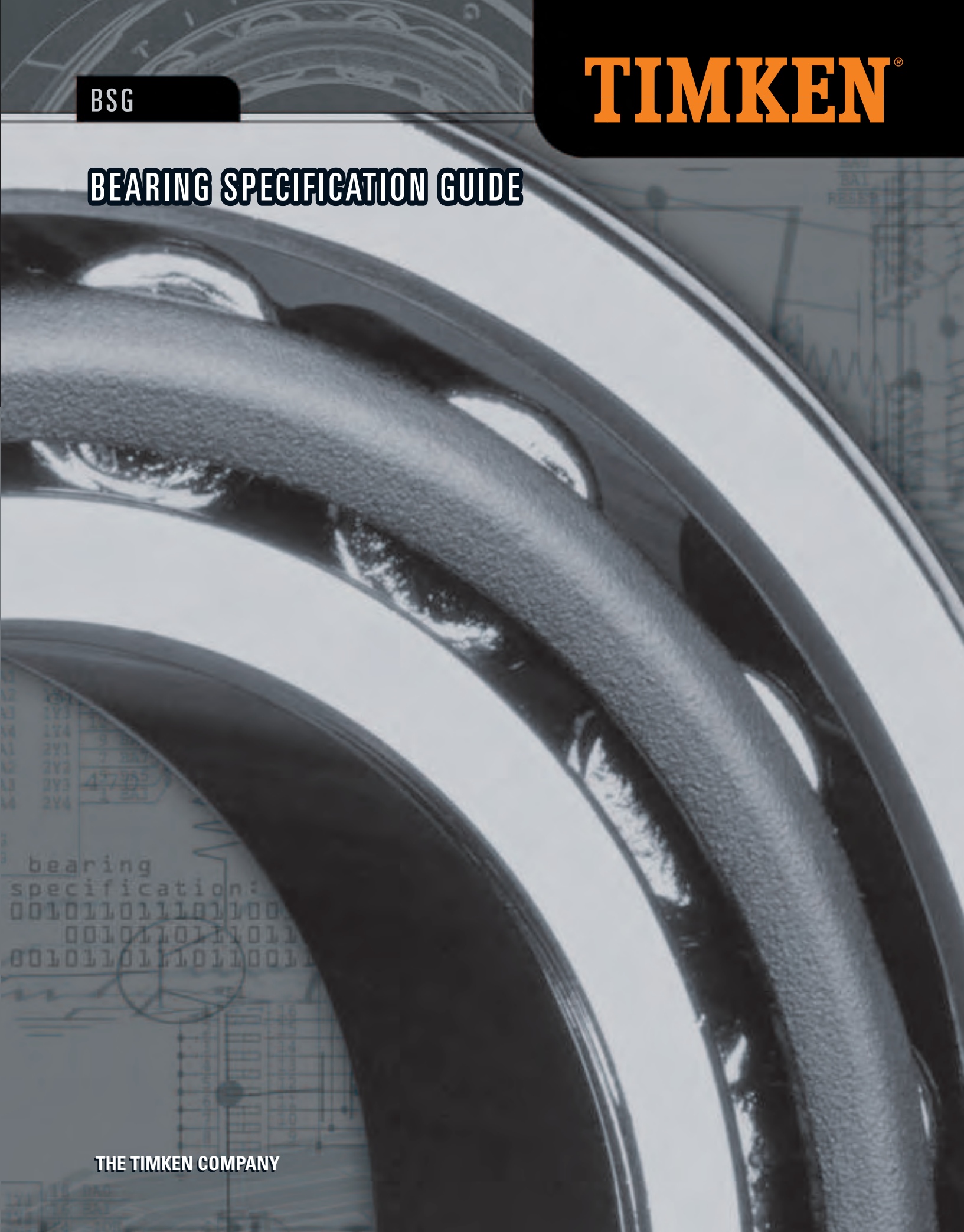


BSG

TIMKEN®

BEARING SPECIFICATION GUIDE



THE TIMKEN COMPANY

BEARING SPECIFICATION GUIDE

INTRODUCTION

Quality is what you get with every aftermarket bearing, seal and hub unit sold by Timken. Vehicle manufacturers from around the world choose the Timken name because of its reputation for quality. You, too, can choose Timken with the confidence that manufacturers have had for more than a century.

Use this catalog as a reference when you are selecting bearings for specific applications. If you have comments on the Bearing Specification Guide, please complete the postage-paid card found in the back of this catalog or e-mail us at auto-am@timken.com.

GENERAL GUIDELINES

The data presented here provides guidelines and reference for the identification of unknown bearings. The information referenced is deemed reliable but not guaranteed. It is not intended to be used for engineering purposes, therefore, when installing any parts referenced in this catalog, always follow the original equipment manufacturer's instruction manual, specifications and guidelines.

HOW TO USE THIS CATALOG

First, identify the correct part number in the Bearing and Seal Application Catalog, published by The Timken Corporation. If the bearing or application is not listed, contact your Timken representative or visit timken.com to view the most recent application listings. If you are still unable to identify the correct bearing, then utilize the Bearing Specification Guide.

Bearings in this catalog are arranged by bearing type, with a size and/or numerical listing. Each bearing listing includes the appropriate dimensions. If the specific bearing type is not known, reference the index in the back of the guide for the page number where the bearing is listed. If a specific bearing is not found, contact your Timken representative to research availability.

The Timken Corporation reserves the right to make changes to, and amendments of, any information displayed. The Timken Corporation also reserves the right to make any functional substitutions in type, style or design where deemed appropriate.

A FULL LINE OF BEARINGS & SEALS

Bearings

- Ball Bearings
- Clutch Release Bearings
- Cylindrical Bearings
- Cylindrical Repair Bearings
- Needle Bearings
- Tapered Roller Bearings

Driveline Center Support Bearings

Hub Assemblies

- ABS Hub Assemblies
- ABS Hub Assemblies with SENSOR-PAC™ Bearings
- Non-ABS Hub Assemblies
- Non-ABS Hub Assemblies with UNIPAC™ Bearings
- Non-ABS Hub Assemblies with UNIPAC-PLUS™ Bearings

Seals

- Automotive
- Industrial
- Light Duty Oil Bath Seals
- Metric

Specialty Kits

- Timken® MileMate® Sets
- Timken® DT Components® Drivetrain Products
 - Differential Kits
 - Transmission Kits
 - Transaxle & Transfer Case Kits
- Boat Trailer Kits
 - Standard Kits w/Timken® Bearings
 - Premium Kits w/Timken® AquaSpexx™ Bearings

KWIK-Sleeve™ – Component

WARNING

Proper maintenance and handling practices are critical. Follow the equipment manufacturer's installation instructions. Failure to follow installation instructions and to maintain proper lubrication can result in equipment failure and could lead to a risk of serious bodily harm.

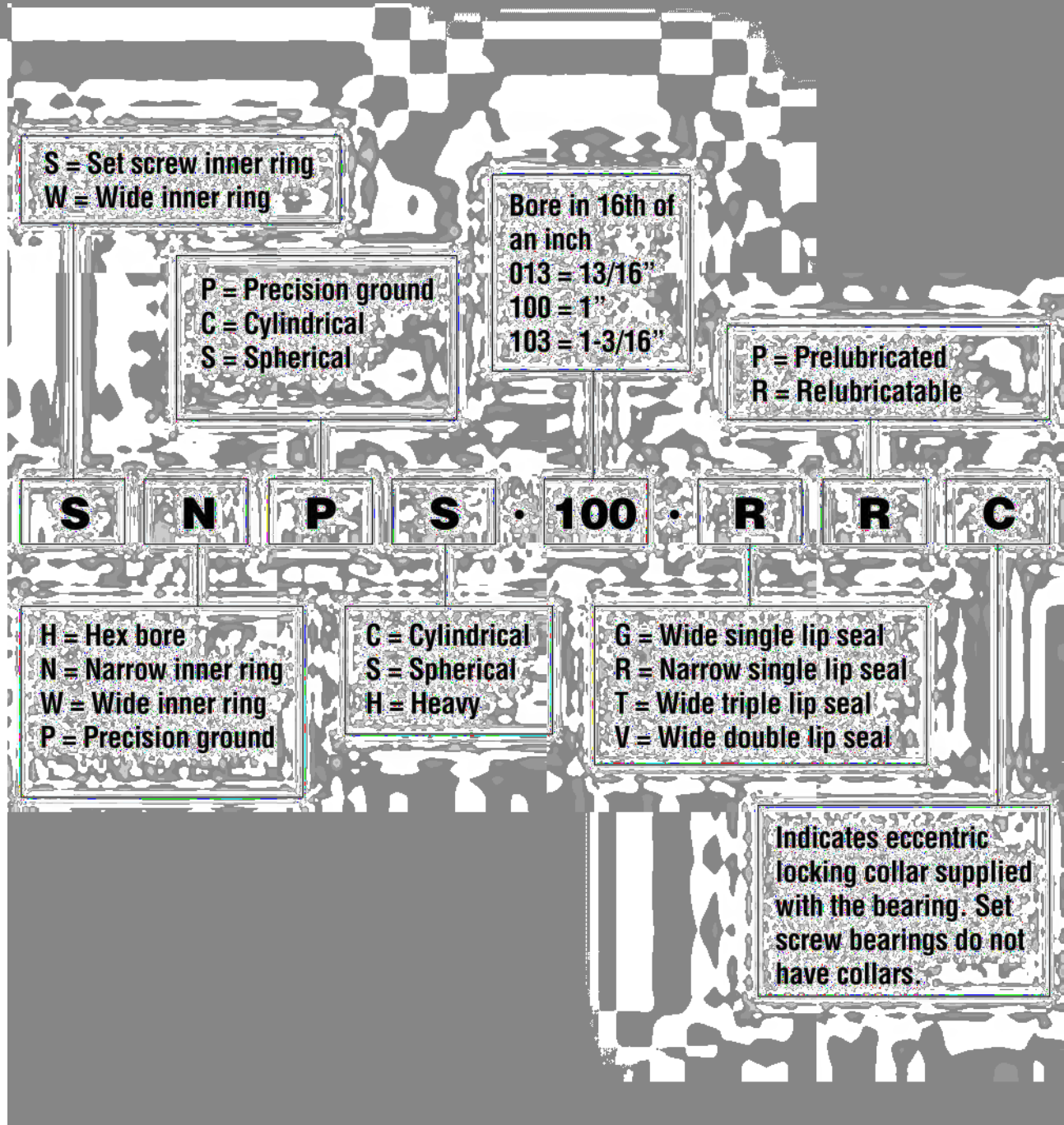
TABLE OF CONTENTS

ADAPTER BEARINGS	1	HUB ASSEMBLIES	129
• Numbering System		• Numerical Listing	
• NPC/NPS Series – Pre-Lubricated Extended Inner Ring		JOURNAL ROLLER BEARINGS	139
• NPS Series – Re-Lubricatable Extended Inner Ring		• Numbering System	
• WPC Series – Pre-Lubricated Wide Inner Ring		• J Series	
• WPC Series – Re-Lubricatable Wide Inner Ring		MAST GUIDE BEARINGS	143
• WPS Series – Pre-Lubricated Wide Inner Ring		• Style/Size Listing	
• WPS Series – Re-Lubricatable Wide Inner Ring		NEEDLE BEARINGS	145
• WPSH Series – Heavy Duty Wide Inner Ring		• Prefix/Suffix Letters	
• HPC Series – Pre-Lubricated Hex Bore		• Size Listing	
• HPS Series – Pre-Lubricated Hex Bore		• Needle Thrust Bearings	
• HPS Series – Re-Lubricatable Hex Bore		• Loose Needle Bearings	
• Specialty Bearings – Adapter & Hex Bore		POWER TRANSMISSION SERIES	158
• SNPS Series – Narrow Set Screw Adapter Bearing		• Part Numbering System	
AGRICULTURAL BEARINGS	14	• Pillow Blocks	
• Disc Bearings – Numbering System		Cast Iron	
DC Series – Heavy Duty Cylindrical O.D.		(PNR Series – Extended Inner Ring w/Single Lip Seals/PWG Series – Wide Inner Ring w/Single Lip Seals/PHV Series – Wide Inner Ring w/Double Lip Seals – Hex Bore/PWT Series – Wide Inner Ring w/Triple Lip Seals/PWOL Series – Fixed & Floating Heavy Series Pillow Blocks/PWRH-R – Low Base-to-Center Pillow Blocks/SPNR – Pillow Block Set Screw Units)	
(Round Bore/Square Bore)		Flanged Pillow Blocks	
DS Series – Heavy Duty Spherical O.D.		(FNR Series – 4 Bolt Flange Units – Extended Inner Ring w/Single Lip Seals/FW Series – 4 Bolt – Wide Inner Ring w/Single, Double, and Triple Lip Seals)	
(Round Bore/Square Bore)		Flanged Units	
FD Series – Flanged Units		(SAFNR Series – 4 Bolt – Set Screw Unit/TNR Series – 2 Bolt – Extended Inner Ring w/Single Lip Seal/TWG Series – 2 Bolt – Wide Inner Ring w/Single, Double, and Triple Lip Seals/SATNR Series – 2 Bolt – Set Screw Units)	
CDS Series – Rubber Mounted Disc Harrow		• Housing Part Numbers	
• Cam Followers		P_R Series – Cast Iron Pillow Blocks	
• Plunger Rollers		T_R Series - 2 – Bolt Flange Housings	
• Tine Bar		F_R Series - 4 – Bolt Flange Housings	
• Idler Pulley		FB_R Series - 2 – Bolt Light Duty Flange Housings	
Flat/Sprocket		FB3_R Series - 3 – Bolt Light Duty Flange Housings	
• Water Pump/Gage Wheel Bearings		BS_R Series – Hanger Unit	
• Specialty Bearings		TU Series – Take Up	
ANGULAR CONTACT BEARINGS	32	MPB – Stamped Steel Pillow Block	
• Double Row		Housing to Bearing Chart	
5200 Series/5300 Series/Specialty Bearings		SPB Series – Stamped Pillow Block	
• Single Row		• Mounting Flanges	
7100 Series/7200 Series/7300 Series		MS Mounting Flanges	
9000 Series – Split Inner Ring/Specialty Bearings		MSA Relubricatable Flange	
BALL BEARINGS	44	MST Mounting Flanges	
• Conrad Deep Groove Types		MSTR Mounting Flanges	
R Inch Series/30 Series/100 Series/200 Series/		Mounting Flange to Bearing Chart	
300 Series/400 Series/Cartridge – W Series/Wide Inner		TAPERED ROLLER BEARINGS	191
Ring (7000 Series/8000 Series/870000 Series/88000 Series)		• Number System	
• Maximum Capacity Types		• Bore Size Listing	
1200 Series/1300 Series/1400 Series		• Numerical Listing	
• Inch Series – XLS		WHEEL BEARINGS	440
CLUTCH RELEASE BEARINGS	83	• Front Wheel	
• Bearing Only		• Rear Wheel	
Thrust/Angular Contact/Sealed Angular Contact		INDEX	449
• Assemblies			
Thrust/Angular Contact/Sealed Angular Contact			
Self Aligning			
• Hydraulic-Clutch			
• Pilot Bearing			
CYLINDRICAL ROLLER BEARINGS	101		
• Numbering System			
• Prefix-Suffix Letters			
• Bearing Types			
• Bore Size Listing			
• Numerical Listing			
DRIVE SHAFT/CENTER SUPPORT BEARINGS	126		
• Ball Type			
• Roller Type – Imports			

bearing
specification:
001011011101100110101
001011011101100110101

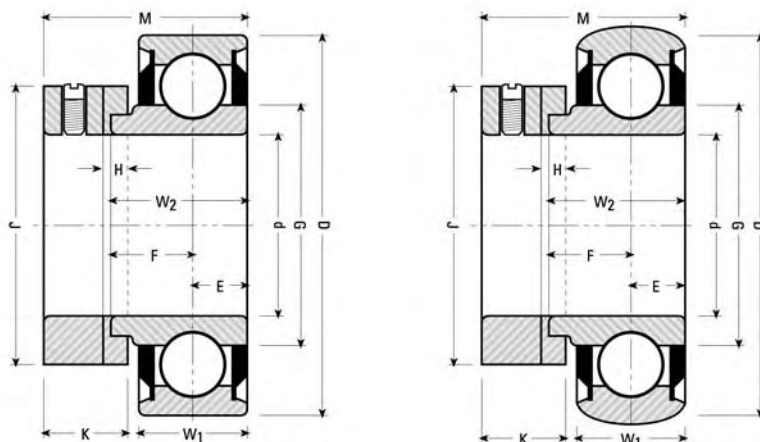
TIMKEN®

ADAPTER BEARING NUMBERING SYSTEM



Narrow Inner Ring Bearing

Prelubricated w/ Extended Inner Ring

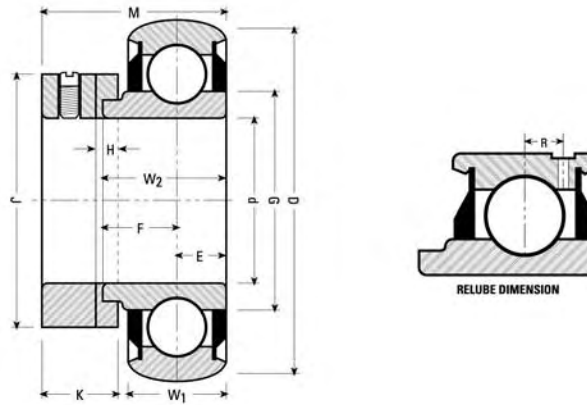


"NPC & NPS" Series

Part Number		Basic Outer Ring	Bore d Inch	O.D. D Inch	Inner W2 Inch	Outer		E	F	G	H	J	K	M	Collar
Cylindrical O.D.	Spherical O.D.					W1	Inch								
NPC-008-RPC	NPS-008-RPC	203	1/2	40 1.575	0.750	13	0.512	0.256	0.494	0.957	0.156	1.125	0.531	1.125	C008
NPC-010-RPC	NPS-010-RPC	203	5/8	40 1.575	0.750	13	0.512	0.256	0.494	0.957	0.156	1.125	0.531	1.125	C010
NPC-012-RPC	NPS-012-RPC	204	3/4	47 1.850	0.844	15	0.591	0.295	0.548	1.134	0.156	1.313	0.531	1.219	C012
NPC-100-RPC	NPS-100-RPC	205	1	52 2.047	0.844	15	0.591	0.295	0.548	1.331	0.156	1.500	0.531	1.219	C100
NPC-014-RPC	NPS-014-RPC	205	7/8	52 2.047	0.844	15	0.591	0.295	0.548	1.331	0.156	1.500	0.531	1.219	C014
NPC-015-RPC	NPS-015-RPC	205	15/16	52 2.047	0.844	15	0.591	0.295	0.548	1.331	0.156	1.500	0.531	1.219	C015
NPC-103-RP2C	NPS-103-RP2C	206	1 1/4	62 2.441	0.938	18	0.709	0.354	0.583	1.584	0.156	1.750	0.625	1.406	C1032
NPC-102-RPC	NPS-102-RPC	206	1 1/8	62 2.441	0.938	18	0.709	0.354	0.583	1.584	0.156	1.750	0.625	1.406	C102
	NPS-101-RPC	206	1 1/16	62 2.441	0.938	18	0.709	0.354	0.583	1.584	0.156	1.750	0.625	1.406	C101
NPC-103-RPC	NPS-103-RPC	206	1 3/16	62 2.441	0.938	18	0.709	0.354	0.583	1.584	0.156	1.750	0.625	1.406	C103
NPC-104-RPC	NPS-104-RPC	207	1 1/4	72 2.835	1.000	19	0.748	0.374	0.626	1.894	0.156	2.125	0.688	1.531	C104
NPC-106-RPC	NPS-106-RPC	207	1 3/8	72 2.835	1.000	19	0.748	0.374	0.626	1.894	0.156	2.125	0.688	1.531	C106
	NPS-105-RPC	207	1 5/16	72 2.835	1.000	19	0.748	0.374	0.626	1.894	0.156	2.125	0.688	1.531	C105
NPC-107-RPC	NPS-107-RPC	207	1 7/16	72 2.835	1.000	19	0.748	0.374	0.626	1.894	0.156	2.125	0.688	1.531	C107
NPC-108-RPC	NPS-108-RPC	208	1 1/2	80 3.150	1.188	22	0.866	0.433	0.755	2.084	0.188	2.375	0.719	1.719	C108

Narrow Inner Ring Bearing

Relubricatable w/ Extended Inner Ring

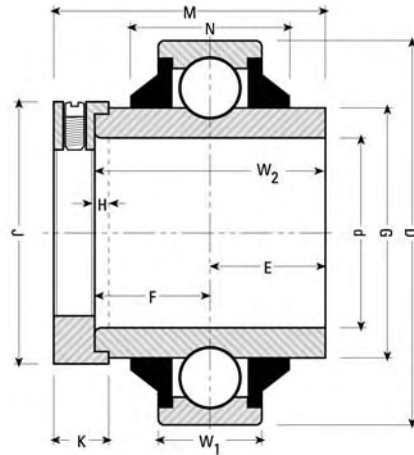


"NPS" Series

Spherical O.D.	Basic Outer Ring	Bore d Inch	O.D. D mm	Inner W2 mm	Outer W1 mm	E	F	G	H Inch	J	K	M	R	Collar		
NPS-008-RRC	203	1/2	40	1.575	0.750	13	0.512	0.256	0.494	0.957	0.156	1.125	0.531	1.125	0.126	C008
NPS-010-RRC	203	5/8	40	1.575	0.750	13	0.512	0.256	0.494	0.957	0.156	1.125	0.531	1.125	0.126	C010
NPS-012-RRC	204	3/4	47	1.850	0.844	15	0.591	0.295	0.548	1.134	0.156	1.313	0.531	1.219	0.152	C012
NPS-100-RRC	205	1	52	2.047	0.844	15	0.591	0.295	0.548	1.331	0.156	1.500	0.531	1.219	0.162	C100
NPS-014-RRC	205	7/8	52	2.047	0.844	15	0.591	0.295	0.548	1.331	0.156	1.500	0.531	1.219	0.162	C014
NPS-015-RRC	205	15/16	52	2.047	0.844	15	0.591	0.295	0.548	1.331	0.156	1.500	0.531	1.219	0.162	C015
NPS-103-RR2C	206	1 1/4	62	2.441	0.938	18	0.709	0.354	0.583	1.584	0.156	1.750	0.625	1.406	0.190	C1032
NPS-102-RRC	206	1 1/8	62	2.441	0.938	18	0.709	0.354	0.583	1.584	0.156	1.750	0.625	1.406	0.190	C102
NPS-101-RRC	206	1 1/16	62	2.441	0.938	18	0.709	0.354	0.583	1.584	0.156	1.750	0.625	1.406	0.190	C101
NPS-103-RRC	206	1 3/16	62	2.441	0.938	18	0.709	0.354	0.583	1.584	0.156	1.750	0.625	1.406	0.190	C103
NPS-104-RRC	207	1 1/4	72	2.835	1.000	19	0.748	0.374	0.626	1.894	0.156	2.125	0.688	1.531	0.202	C104
NPS-106-RRC	207	1 3/8	72	2.835	1.000	19	0.748	0.374	0.626	1.894	0.156	2.125	0.688	1.531	0.202	C106
NPS-105-RRC	207	1 5/16	72	2.835	1.000	19	0.748	0.374	0.626	1.894	0.156	2.125	0.688	1.531	0.202	C105
NPS-107-RRC	207	1 7/16	72	2.835	1.000	19	0.748	0.374	0.626	1.894	0.156	2.125	0.688	1.531	0.202	C107
NPS-107-RP2C	207	1 1/2	72	2.835	1.060	18	0.712	0.374	0.626	1.894	0.156	2.125	0.688	1.531	0.202	C1072
NPS-108-RRC	208	1 1/2	80	3.150	1.188	22	0.866	0.433	0.755	2.084	0.188	2.375	0.719	1.719	0.224	C108

Wide Inner Ring Bearing

Prelubricated - Cylindrical Bearing

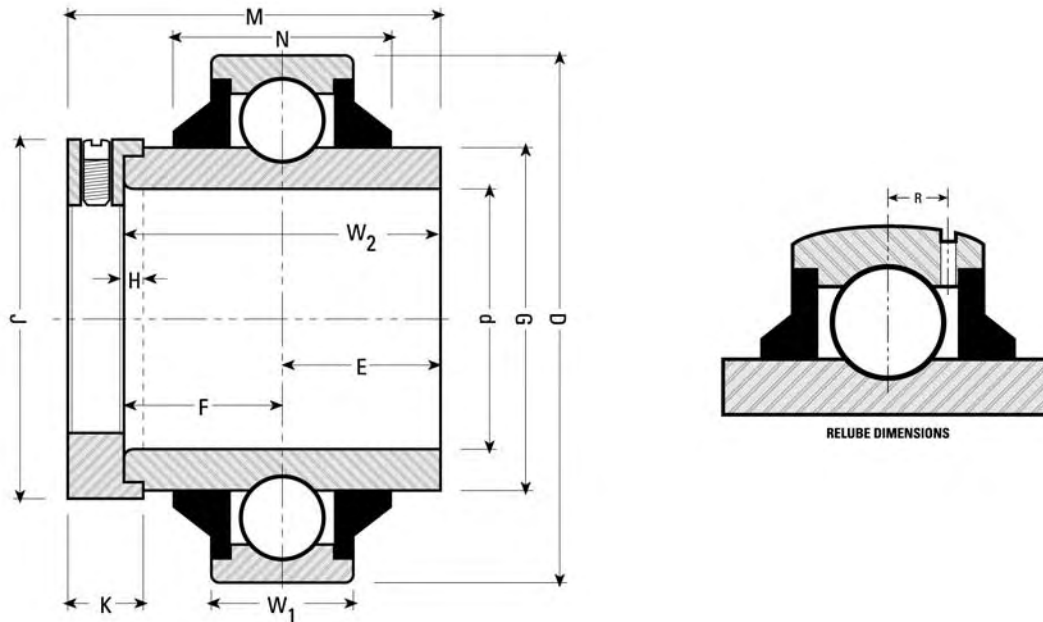


"WPC" Series

Bearing Number		Basic Outer Ring	Bore d Inch	O.D. D Inch	Inner W2 Inch	Outer W1 Inch	E & F	G	H	J	K	M	N	Collar
Single Lip Seal	Triple Lip Seal													
		204	3/4	47 1.850	1.344	14 0.551	0.672	1.134	0.156	1.313	0.531	1.719	0.760	C012
		205	7/8	52 2.047	1.375	15 0.591	0.688	1.331	0.156	1.500	0.531	1.750	0.787	C014
		205	1	52 2.047	1.375	15 0.591	0.688	1.331	0.156	1.500	0.531	1.750	0.787	C100
		206	1 1/8	62 2.441	1.438	16 0.630	0.719	1.589	0.156	1.750	0.625	1.906	0.876	C102
		206	1 3/16	62 2.441	1.438	16 0.630	0.719	1.589	0.156	1.750	0.625	1.906	0.876	C103
		206	1 1/4	62 2.441	1.438	16 0.630	0.719	1.589	0.156	1.750	0.625	1.906	0.876	C1032
		207	1 7/16	72 2.835	1.484	17 0.669	0.734	1.847	0.156	2.125	0.688	2.016	0.912	C1072
		208	1 1/2	80 3.150	1.688	18 0.709	0.844	2.084	0.188	2.375	0.719	2.219	1.000	C108
		210	1 15/16	90 3.543	1.938	20 0.787	0.969	2.473	0.188	2.750	0.719	2.469	1.119	C115
		211	2 3/16	100 3.937	2.188	21 0.827	1.094	2.762	0.188	3.000	0.813	2.813	1.220	C203

Wide Inner Ring Bearings

Relubricatable - Cylindrical Bearing

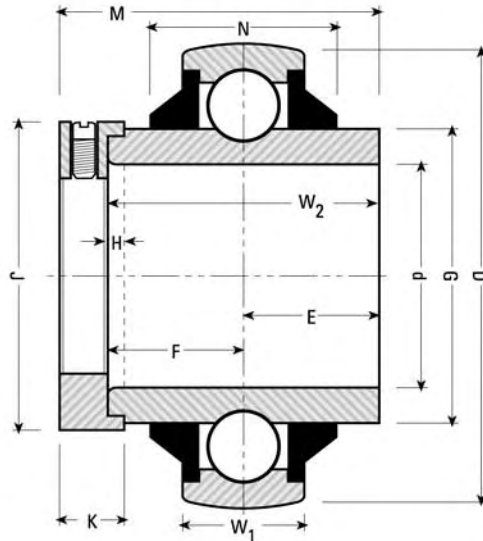


"WPC" Series

Bearing Number		Basic Outer Ring	Bore d Inch mm	O.D D Inch mm	Inner W ₂ mm	Outer		E & F	G	H	J	K	M	N	R	Collar
Single Lip Seal	Triple Lip Seal					W ₁ mm Inch	W ₁ mm Inch									
	WPC-100-TRC	205	1	52 2.047	1.375	15 0.591	0.688	1.331	0.156	1.500	0.531	1.750	0.787	0.152	C100	
	WPC-103-TRC	206	1 3/16	62 2.441	1.438	18 0.709	0.719	1.589	0.156	1.750	0.625	1.906	0.876	0.190	C103	
	WPC-104-TRC	207	1 1/4	72 2.835	1.484	19 0.748	0.734	1.847	0.156	2.125	0.688	2.016	0.912	0.202	C104	
WPC-115-GRC	WPC-115-TRC	210	1 15/16	90 3.543	1.938	22 0.866	0.656	2.413	0.188	2.750	0.719	2.469	1.119	0.248	C115	
WPC-203-GRC		211	2 3/16	100 3.937	2.188	21 0.827	1.094	2.762	0.188	3.000	0.813	2.813	1.220	0.267	C203	

Wide Inner Ring Bearing

Prelubricated - Spherical Bearing

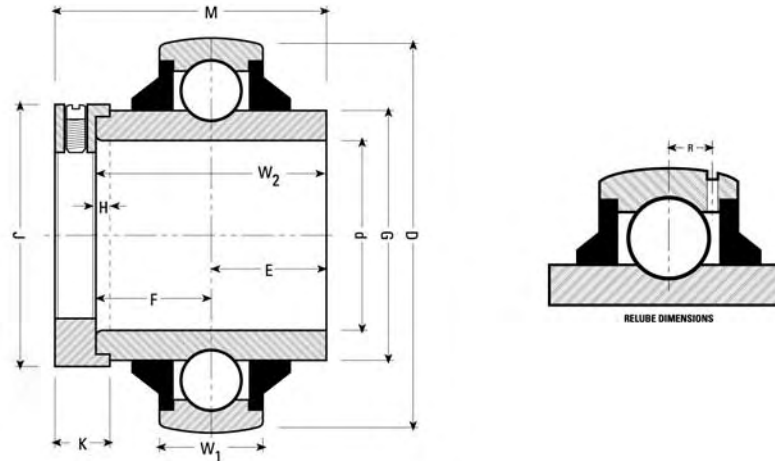


"WPS" Series

Bearing Number		Basic Outer Ring	Bore d	O.D B	Inner W2	Outer W1		E & F	G	H	Inch			N	Collar	
Single Lip Seal	Triple Lip Seal		Inch	mm	Inch	mm	mm	Inch			J	K	M			
WPS-014-GPC		205	7/8	52	2.047	1.375	15	0.591	0.688	1.331	0.156	1.500	0.531	1.750	0.787	C014
WPS-100-GPC		205	1	52	2.047	1.375	15	0.591	0.688	1.331	0.156	1.500	0.531	1.750	0.787	C100
WPS-102-GPC		206	1 1/8	62	2.441	1.438	16	0.630	0.719	1.589	0.156	1.750	0.625	1.906	0.876	C102
WPS-103-GP2	WPS-103-TP2C	206	1 1/4	62	2.441	1.438	16	0.630	0.719	1.589	0.156	1.750	0.625	1.906	0.876	C1032
WPS-104-GPC		207	1 1/4	72	2.835	1.484	17	0.669	0.734	1.847	0.156	2.125	0.688	2.016	0.912	C104
WPS-107-GPC		207	1 7/16	72	2.835	1.484	17	0.669	0.734	1.847	0.156	2.125	0.688	2.016	0.912	C107
WPS-108-GPC	WPS-108-TPC	208	1 1/2	80	3.150	1.688	18	0.709	0.844	2.084	0.188	2.375	0.719	2.219	1.000	C108
	WPS-203-TPC	211	2 3/16	100	3.937	2.188	21	0.827	1.094	2.762	0.188	3.000	0.813	2.813	1.220	C203

Wide Inner Ring Bearing

Relubricatable - Spherical Bearing



"WPS" Series

Bearing Number		Basic Outer Ring	Bore d Inch	O.D D mm	Inner W2 Inch	Outer		E & F	G	H	J	K	M	R	Collar
Single Lip Seal	Triple Lip Seal					W1	Inch								
WPS-012-GRC		204	3/4	47 1.850	1.344	15	0.591	0.672	1.134	.156	1.313	0.531	1.719	.15	C012
WPS-013-GRC		205	13/16	52 2.047	1.375	15	0.591	0.688	1.331	.156	1.500	0.531	1.750	.15	C013
WPS-014-GRC		205	7/8	52 2.047	1.375	15	0.591	0.688	1.331	.156	1.500	0.531	1.750	.15	C014
WPS-015-GRC		205	15/16	52 2.047	1.375	15	0.591	0.688	1.331	.156	1.500	0.531	1.750	.15	C015
WPS-100-GRC	WPS-100-TRC	205	1	52 2.047	1.375	15	0.591	0.688	1.331	.156	1.500	0.531	1.750	.15	C100
WPS-101-GRC		206	1 1/16	62 2.441	1.438	18	0.709	0.719	1.589	.156	1.750	0.625	1.906	.19	C101
WPS-102-GRC		206	1 1/8	62 2.441	1.438	18	0.709	0.719	1.589	.156	1.750	0.625	1.906	.19	C102
WPS-103-GRC	WPS-103-TRC	206	1 3/16	62 2.441	1.438	18	0.709	0.719	1.589	.156	1.750	0.625	1.906	.19	C103
WPS-103-GR2C	WPS-103-TR2C	206	1 1/4	62 2.441	1.438	18	0.709	0.719	1.589	.156	1.750	0.625	1.906	.19	C1032
WPS-104-GRC	WPS-104-TRC	207	1 1/4	72 2.835	1.484	19	0.748	0.734	1.847	.156	2.125	0.688	2.016	.20	C104
WPS-105-GRC		207	1 5/16	72 2.835	1.484	19	0.748	0.734	1.847	.156	2.125	0.688	2.016	.20	C105
WPS-106-GRC		207	1 3/8	72 2.835	1.484	19	0.748	0.734	1.847	.156	2.125	0.688	2.016	.20	C106
WPS-107-GRC	WPS-107-TRC	207	1 7/16	72 2.835	1.484	19	0.748	0.734	1.847	.156	2.125	0.688	2.016	.20	C107
WPS-108-GRC	WPS-108-TRC	208	1 1/2	80 3.150	1.688	22	0.866	0.844	2.084	.188	2.375	0.719	2.219	.22	C108
WPS-109-GRC		208	1 9/16	80 3.150	1.688	22	0.866	0.844	2.084	.188	2.375	0.719	2.219	.22	C109
WPS-110-GRC		209	1 5/8	85 3.347	1.688	22	0.866	0.844	2.280	.188	2.500	0.719	2.219	.25	C110
WPS-111-GRC	WPS-111-TRC	209	1 11/16	85 3.347	1.688	22	0.866	0.844	2.280	.188	2.500	0.719	2.219	.25	C111
WPS-112-GRC	WPS-112-TRC	209	1 3/4	85 3.347	1.688	22	0.866	0.844	2.280	.188	2.500	0.719	2.219	.25	C112
WPS-113-GRC		210	1 13/16	90 3.543	1.938	22	0.866	0.969	2.413	.188	2.750	0.719	2.469	.25	C113
WPS-114-GRC		210	1 7/8	90 3.543	1.938	22	0.866	0.969	2.413	.188	2.750	0.719	2.469	.25	C114
WPS-115-GRC	WPS-115-TRC	210	1 15/16	90 3.543	1.938	22	0.866	0.969	2.413	.188	2.750	0.719	2.469	.25	C115

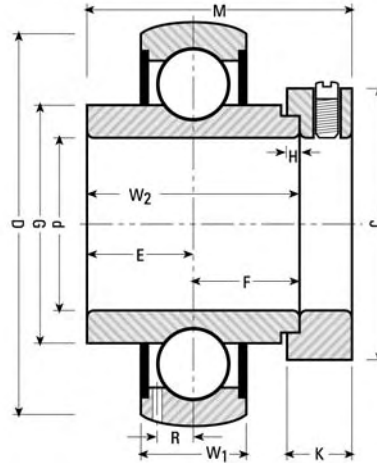
Wide Inner Ring Bearing

Relubricatable - Spherical Bearing - Continued "WPS" Series

Bearing Number		Basic Outer Ring	Bore d Inch	O.D D mm	Inner W2 Inch	Outer		E & F	G	H	J Inch	K	M	R	Collar
Single Lip Seal	Triple Lip Seal					W1 mm	Inch								
WPS-200-GRC		211	2	100 3.937	2.188	25 0.984	1.094	2.762	.188	3.000	0.813	2.813	.27	C200	
WPS-203-GRC		211	2 3/16	100 3.937	2.188	25 0.984	1.094	2.762	.188	3.000	0.813	2.813	.27	C203	
WPS-204-GRC		212	2 1/4	110 4.331	2.438	27 1.063	1.219	3.049	.250	3.313	0.875	3.063	.30	C204	
WPS-207-GRC		212	2 7/16	110 4.331	2.438	27 1.063	1.219	3.049	.250	3.313	0.875	3.063	.30	C207	

Wide Inner Ring Bearing

Heavy Series - Spherical Bearing

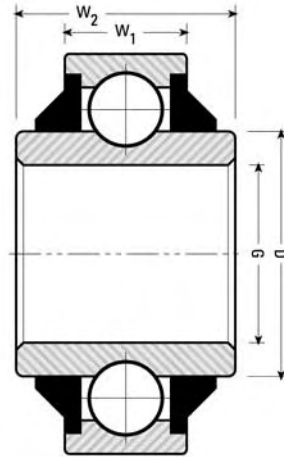


"WPSH" Series

Bearing Number	Basic Outer Ring	Bore d	O.D. D	Inner W2	Outer W1	E & F	G	H	J	K	M	R
WPSH-114-RRC	310	1.8750	4.3307	1.9375	1.0630	0.969	2.790	0.188	3.000	0.875	2.625	0.339
WPSH-115-RRC	310	1.9375	4.3307	1.9375	1.0630	0.969	2.790	0.188	3.000	0.875	2.625	0.339
WPSH-200-RRC	311	2.0000	4.7244	2.1875	1.1417	1.094	2.947	0.188	3.250	0.875	2.875	0.361
WPSH-203-RRC	311	2.1875	4.7244	2.1875	1.1417	1.094	2.947	0.188	3.250	0.875	2.875	0.361
WPSH-207-RRC	312	2.4375	5.1181	2.4375	1.2200	1.219	3.205	0.250	3.250	0.938	3.125	0.394
WPSH-211-RRC	314	2.6875	5.9055	2.6875	1.3780	1.344	3.721	0.250	4.000	1.063	3.500	0.454
WPSH-215-RRC	315	2.9375	6.2992	2.9375	1.4570	1.469	3.979	0.250	4.875	1.250	3.938	0.486
WPSH-303-RRC	316	3.1875	6.6929	3.1875	1.5354	1.594	4.251	0.250	4.688	1.250	4.188	0.520
WPSH307-RRC	318	3.4375	7.4803	3.4375	1.6930	1.719	4.767	0.312	5.250	1.438	4.563	0.564
WPSH-315-RRC	320	3.9375	8.4646	3.9375	1.8504	1.969	5.339	0.312	5.750	1.438	5.063	0.640

Hex Bore Adapter Bearing

Prelubricated - Cylindrical Bearing

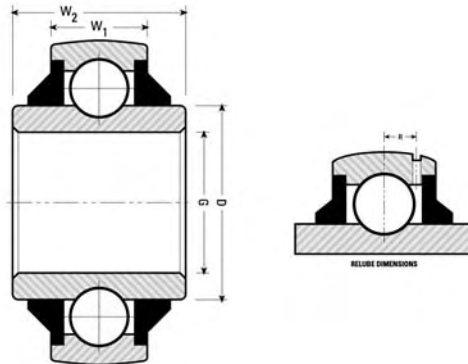


"HPC" Series

Bearing Number		Basic Outer Ring	Hex Bore		D	G	W1	W2		
Single Lip Seal	Triple Lip Seal		Shaft Size Inch	Across Flats Inch						
HPC-011-GP		204	11/16	0.688	47	1.850	1.134	14	0.551	0.825
HPC-014-GP		205	7/8	0.876	52	2.047	1.331	15	0.591	1.000
HPC-100-GP	HPC-100-TP	206	1	1.001	62	2.441	1.589	16	0.630	0.945
	HPC-100-TPD	206	1	1.001	62	2.441	1.589	16	0.630	1.060
	HPC-103-TP2	207	1 1/4	1.251	72	2.835	1.847	17	0.669	1.484

Hex Bore Adapter Bearing

Prelubricated - Spherical Bearing



"HPS" Series

Bearing Number		Basic Outer Ring	Hex Bore		O.D.		G	W1	W2	
Single Lip Seal	Triple Lip Seal		Shaft Size Inch	Across Flats Inch	D mm	D Inch				
HPS-014-GP		205	7/8	0.876	52	2.047	1.331	15.000	0.5906	1.000
HPS-100-GP		206	1	1.001	62	2.441	1.589	16.000	0.6299	0.945
	HPS-100-TPD	206	1	1.001	62	2.441	1.583	16.000	0.6299	1.060
HPS-104-GP	HPS104TP	208	1 1/4	1.251	80	3.150	2.084	18.000	0.7087	1.438
HPS-106-GP		208	1 3/8	1.376	80	3.150	2.084	21.000	0.8268	1.438
HPS-108-GPA		209	1 1/2	1.501	85	3.347	2.280	22.000	0.8661	1.181

Hex Bore Adapter Bearing

Relubricatable - Spherical Bearing

"HPS" Series

Bearing Number			Hex Bore		O.D.		G	W1	W2	R	
Single Lip Seal	Double Lip Seal	Triple Lip Seal	Shaft Size Inch	Across Flats Inch	D mm	D Inch					
	HPS-100-TR		1	1.001	62	2.441	1.589	18	0.709	0.945	0.190
HPS-102-G	HPS102VR		1 1/8	1.126	72	2.835	1.847	19	0.748	1.484	0.202
		HPS-104-TR	1 1/4	1.251	80	3.150	2.084	22	0.866	1.438	0.224

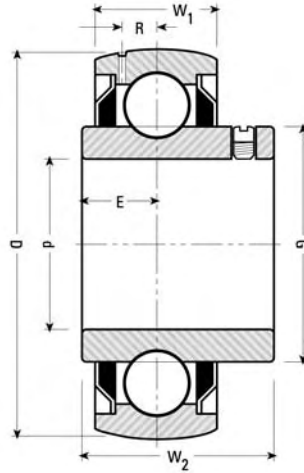
Adapter Bearings

Specialty Bearings Hex Bore Bearings

Bearing Number	Bore Inch	O.D.		Width Inch	Special Features
		mm	Inch		
X-2304	0.938	57	2.250	1.375	Extended Inner Ring w/ Set Screw Collar
ER-16	1.000	58	2.280	1.339	Basic 205 Adapter Bearing w/ snap ring
WPCH-102-C	1.125	72	2.835	1.969	Basic WPSH102C w/ 1.1251" Bore & Cylindrical OD
HPC-102-GPE	1.126	72	2.835	0.984	Basic HPC102GP w/ Special .9843" Width
HPS-102-GPE	1.126	72	2.835	0.984	Basic HPS102GP w/ Special .9843" Width
ER-19	1.188	67	2.656	1.500	Basic 206 Adapter Bearing w/ snap ring
HPS-103-GP2	1.251	72	2.835	1.484	Basic HPS102GP w/ Special 1.2510" Bore
HPS-103-GP3	1.251	72	2.835	0.984	Basic HSP103GP2 w/ Special .9843" Bore
HPS-103-TP2	1.251	72	2.835	1.484	Basic HPS103GP2 w/ Triple Lip Seal
HPC-104-TPA	1.251	80	3.150	1.438	Basic HPC104GP w/ Triple Lip Seal
WPS-106-GPEC	1.375	72	2.835	2.016	Basic WPS106GPC w/ Carburized I.R.
HPS-108-GPB	1.501	90	3.543	1.181	Basic HPS108GP w/ Special 3.5433" O.D.
WPCH-114-C	1.875	110	4.331	2.625	Cylindrical O.D.

Narrow Inner Ring Bearing

Relubricatable w/Set Screw

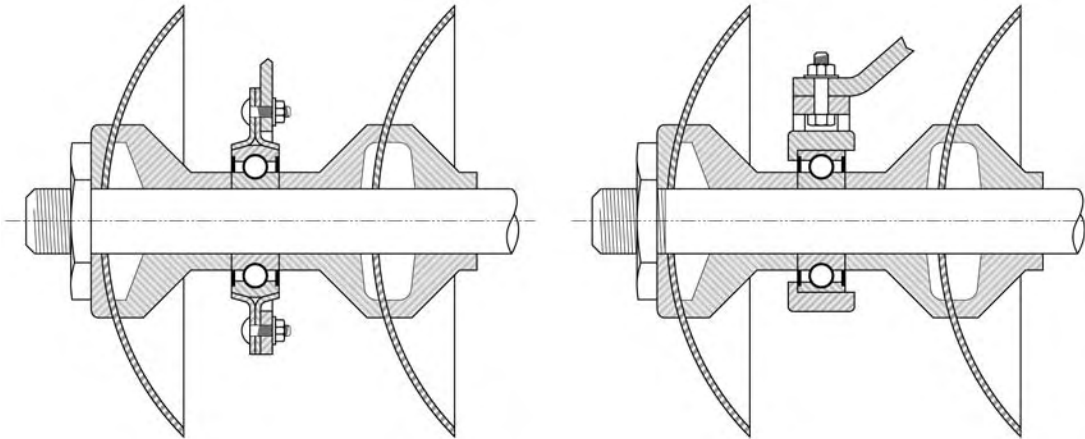


"SNP" Series

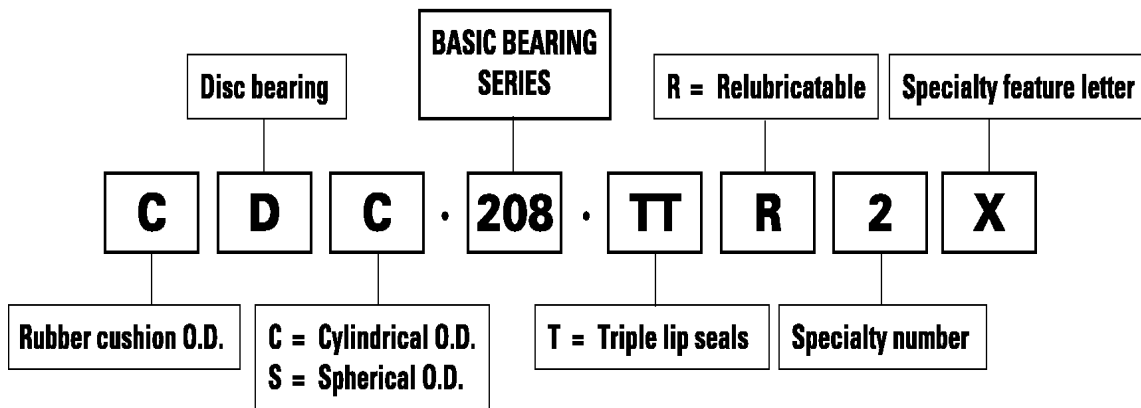
Bearing Number		Basic Outer Ring	Shaft Size d	O.D D		Inner W2	Outer W1	E Inch	G Inch	R Inch
Spherical	Cylindrical			mm	Inch					
SNPS-008-RR		203	1/2	40	1.575	0.938	0.512	0.313	0.957	0.126
SNPS-010-RR	SNPC-010-RR	203	5/8	40	1.575	0.938	0.512	0.313	0.957	0.126
SNPS-012-RR		204	3/4	47	1.850	1.063	0.591	0.350	1.134	0.152
SNPS-20-RR		204	20mm	47	1.850	1.063	0.591	0.350	1.134	0.152
SNPS-014-RR		205	7/8	52	2.047	1.109	0.591	0.348	1.331	0.162
SNPS-015-RR		205	15/16	52	2.047	1.109	0.591	0.348	1.331	0.162
SNPS-100-RR		205	1	52	2.047	1.109	0.591	0.348	1.331	0.162
SNPS-25-RR		205	25mm	52	2.047	1.109	0.591	0.348	1.331	0.162
SNPS-102-RR		206	1 1/8	62	2.441	1.281	0.709	0.380	1.589	0.190
SNPS-103-RR		206	1 3/16	62	2.441	1.281	0.709	0.380	1.589	0.190
SNPS-103-RR2		206	1 1/4	62	2.441	1.281	0.709	0.380	1.589	0.190
SNPS-104-RR		207	1 1/4	72	2.835	1.444	0.748	0.427	1.847	0.202
SNPS-106-RR		207	1 3/8	72	2.835	1.444	0.748	0.427	1.847	0.202
SNPS-107-RR		207	1 7/16	72	2.835	1.444	0.748	0.427	1.847	0.202
SNPS-108-RR		208	1 1/2	80	3.150	1.538	0.866	0.458	2.084	0.224

Heavy Duty Disc Bearings

Typical Disc Bearing Installations

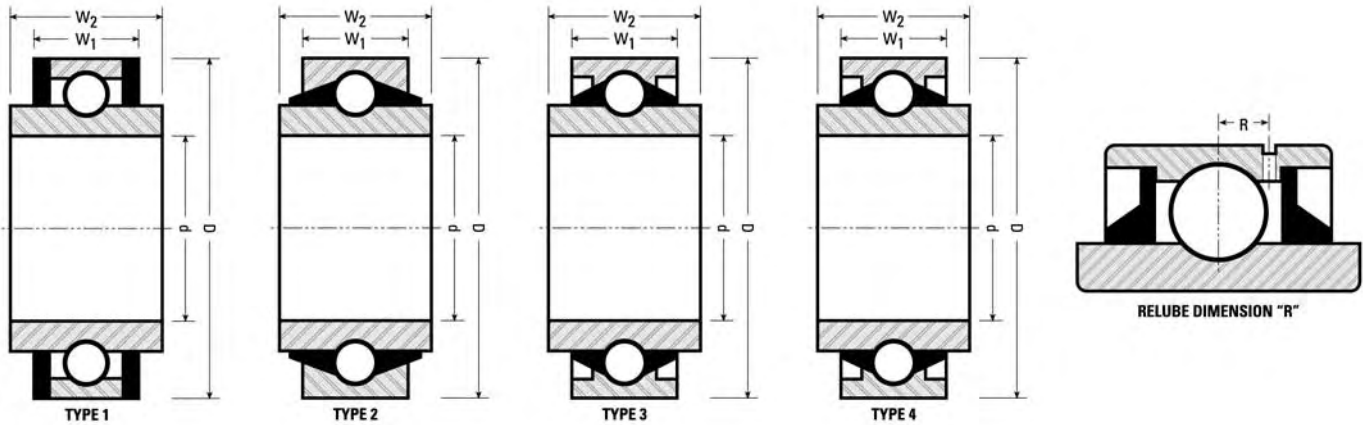


BEARING IDENTIFICATION CODE



Disc Harrow Bearings

Heavy Duty Cylindrical - Round Bore

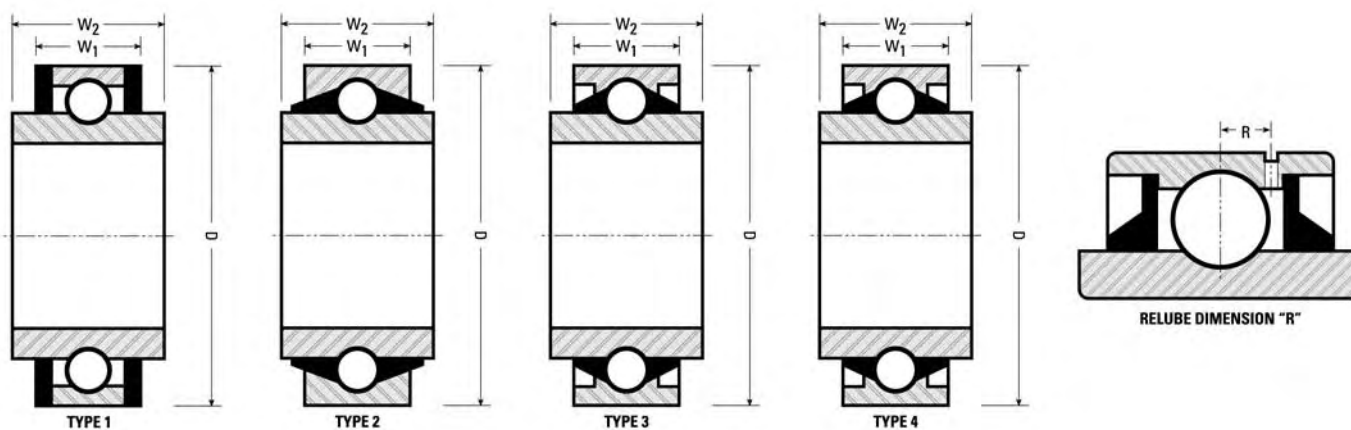


"DC" Series

Bearing Number		Type	Bore d		Outside Diameter D		W1	W2	Balls		R
Pre-Lube	Re-Lube		Inch	mm	Inch	mm			#	Size	
	DC-210-TTR3	4	1.406	90	3.543	90	1.188	1.188	10	1/2	.248
DC-208-TT10		2	1.500	80	3.150	80	0.827	1.688	9	15/32	-
DC-210-TT3A		4	1.520	90	3.543	90	1.188	1.188	10	1/2	-
	DC-211-TTR21	3	1.775	100	3.937	100	1.313	1.750	10	9/16	.299
DC-210		1	1.938	90	3.543	90	0.787	1.938	10	1/2	-
DC-210-TT		3	1.938	90	3.543	90	1.355	1.938	10	1/2	-
DC-210-TT2		4	1.938	90	3.543	90	1.188	1.188	10	1/2	-
	DC-210-TTR7	3	1.938	90	3.543	90	1.188	1.937	10	1/2	.248
	DC-210-TTR9	2	1.940	90	3.543	90	0.906	1.438	10	1/2	.248
DC-211-TT2	DC-211-TTR2	4	2.187	100	3.937	100	1.313	1.313	10	9/16	.299
	DC-214-TTR3	3	2.688	125	4.921	125	1.563	2.688	10	11/16	.367
	DC-214-TTR2	4	2.755	125	4.921	125	1.563	1.563	10	11/16	.367

Disc Harrow Bearings

Heavy Duty Cylindrical - Square Bore

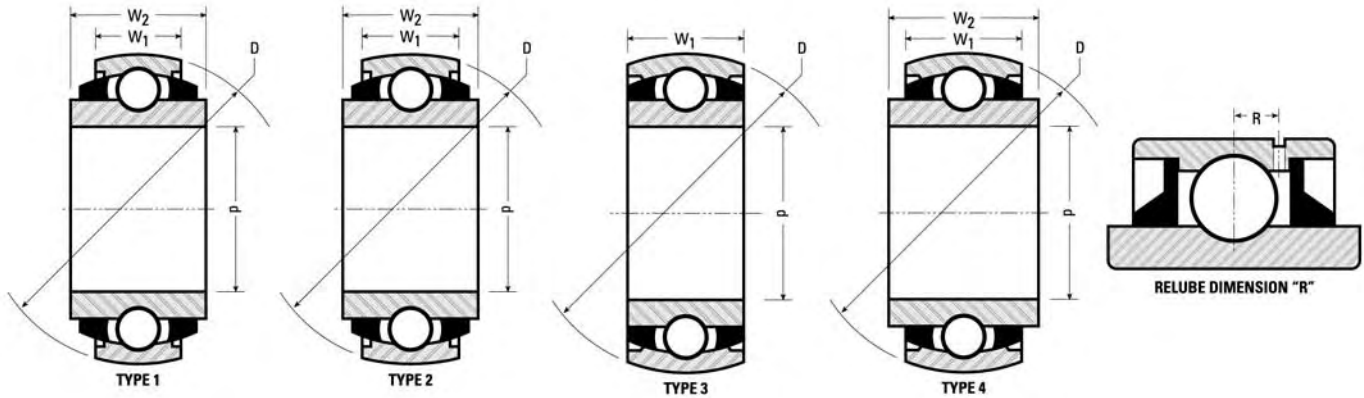


"DC" Series

Bearing Number		Type	Shaft Size Inch	O.D. D		W1 Inch	W2 Inch	Balls		R Inch
Pre-Lube	Re-Lube			Inch	mm			#	Size	
DC-208		1	1 1/8	3.150	80	0.709	1.688	9	15/32	-
DC-208-TT		3	1 1/8	3.150	80	1.279	1.688	9	15/32	-
DC-212-TT		3	1 3/4	4.331	110	1.506	2.000	10	19/32	.299
DC-208-TT2		3	1	3.150	80	1.279	1.688	9	15/32	-
DC-208-TT5		2	1 1/8	3.150	80	0.709	1.438	9	15/32	-
DC-208-TT6		2	1	3.150	80	0.709	1.438	9	15/32	-
DC-208-TT8		3	1 1/8	3.150	80	1.188	1.438	9	15/32	-
	DC-209-TTR8	2	1 1/4	3.347	85	0.886	1.438	10	15/32	.248
DC-210-TT4	DC-210-TTR4	4	1 1/8	3.543	90	1.188	1.188	10	1/2	.248
DC-211-TT3	DC-211-TTR3	4	1 1/2	3.937	100	1.313	1.313	10	9/16	.277
	DC-211-TTR3E	3	1 1/2	3.937	100	1.313	1.750	10	9/16	.277
	DC-211-TTR4	3	1 1/2	3.937	100	1.313	1.750	10	9/16	.277
DC-211-TT5		3	1 1/2	4.000	-	1.438	1.750	10	9/16	-
	DC-216-TTR2	2	2 1/4	5.512	140	1.181	2.500	10	3/4	.357
	DC-208-TTR17	3	1 1/8	3.376	80	1.188	1.438	9	15/32	.266

Disc Harrow Bearings

Heavy Duty Spherical - Round Bore



"DS" Series

Bearing Number		Type	Round Bore			O.D.		Balls		R
Pre-Lube	Re-Lube		d	D		W1	W2	#	Size	Inch
			Inch	Inch	mm	Inch	Inch			
DS-208-TT14		4	0.882	3.438		1.188	1.438	9	15/32	-
DS-208-TT4		3	1.188	3.150	80	1.188	1.188	9	15/32	-
DS-208-TT7		1	1.188	3.150	80	0.709	1.188	9	15/32	-
DS-208-TT2A		2	1.500	3.150	80	1.188	1.688	9	15/32	-
DS-208-TT3		4	1.525	3.443		1.188	1.438	9	15/32	-
DS-209-TT4	DS-209-TTR4	3	1.525	3.347	85	1.188	1.188	10	15/32	.248
DS-209-TT6		4	1.525	3.443		1.188	1.188	10	15/32	-
	DS-209-TTR6P	4	1.525	3.493		1.251	1.688	10	15/32	.125
	DS-209-TTR12	1	1.765	3.347	85	1.042	1.687	10	15/32	.249
DS-209-TT6E		4	1.770	3.347		1.312	1.687	10	15/32	-
DS-209-TT6H		4	1.770	3.375		1.312	1.687	10	15/32	-
DS-209-TT2	DS-209-TTR2	3	1.771	3.347	85	1.188	1.188	10	15/32	.248
	DS-209-TTR10	1	1.771	3.347	85	0.866	1.438	10	15/32	.248
DS-210-TT5	DS-210-TTR5R	3	1.775	3.543	90	1.188	1.188	10	1/2	.248
	DS-211-TTR13	1	1.775	3.937	100	0.984	1.313	10	9/16	.277
	DS-211-TTR23	4	1.775	3.980		1.335	2.125	10	9/16	.166
DS-210-TT2	DS-210-TTR2	3	1.938	3.543	90	1.188	1.188	10	1/2	.248
	DS-214-TTR3	3	1.938	4.921	125	1.563	1.563	10	11/16	.377
	DS-211-TTR14	1	2.005	3.937	100	0.984	1.312	10	9/16	.277
DS-211-TT2	DS-211-TTR2	3	2.187	3.937	100	1.313	1.313	10	9/16	.277
DS-211-TT4		4	2.187	3.937	100	1.312	2.187	10	9/16	-
	DS-211-TTR8R	1	2.187	3.937	100	0.984	1.313	10	9/16	.277
	DS-211-TTR9	1	2.188	3.937	100	0.984	1.563	10	9/16	.277
	DS-214-TTRA	1	2.688	4.921	125	1.102	2.688	10	11/16	.367

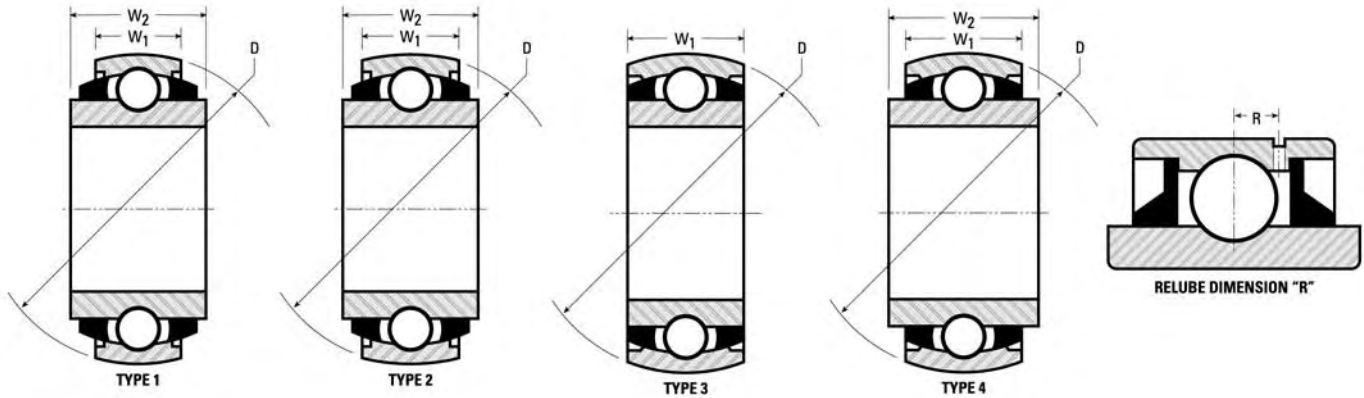
Disc Harrow Bearings

Heavy Duty Spherical - Round Bore - Continued "DS" Series

Bearing Number		Type	Round Bore	O.D.		W1	W2	Balls		R
Pre-Lube	Re-Lube		d	D	mm	Inch	Inch	#	Size	Inch
	DS-214-TTR5	2	2.755	4.992	125	1.562	2.438	10	11/16	.377
DS-214-TT2		3	2.758	4.291	125	1.563	1.563	10	11/16	-
	DS-216-TTR3	1	3.010	5.512	140	1.181	2.500	10	3/4	.360

Disc Harrow Bearings

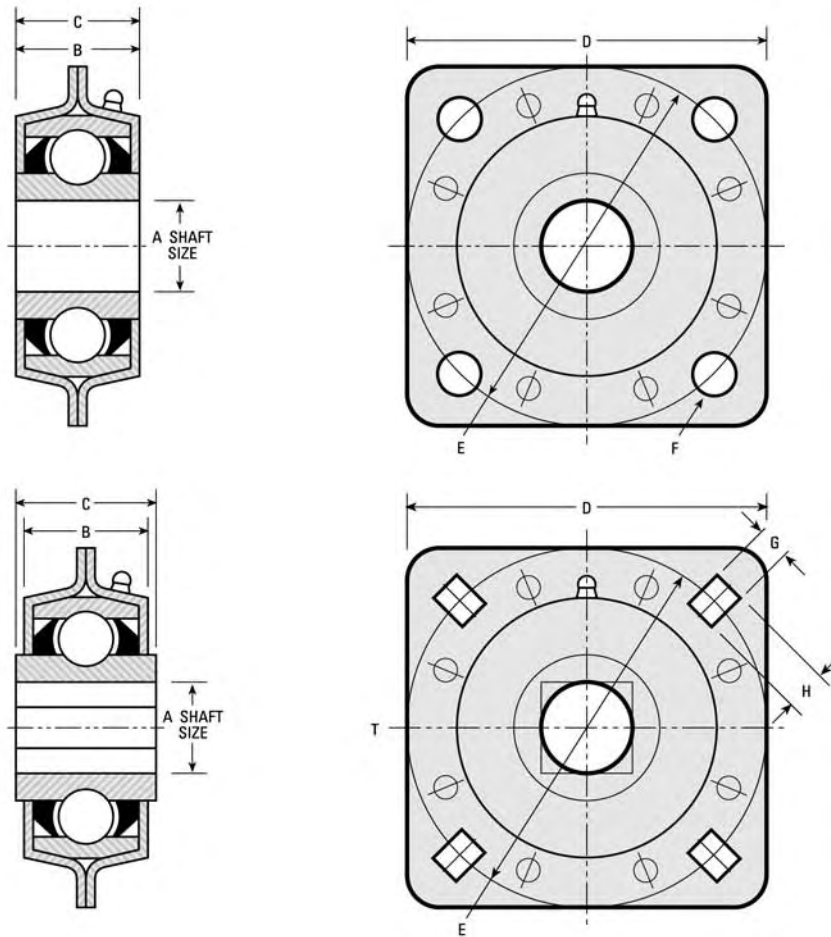
Heavy Duty Spherical - Square Bore



"DS" Series

Bearing Number		Type	Shaft Size		O.D. D		W1 Inch	W2 Inch	Balls		R Inch
Pre-Lube	Re-Lube		Inch		Inch	mm			#	Size	
DS-208-TT13		1	7/8		3.150	80	0.709	1.438	9	15/32	-
DS-208-TT11		4	7/8		3.443		1.188	1.438	9	15/32	-
DS-208-TT6		1	1		3.150	80	0.709	1.438	9	15/32	-
	DS-208-TTR6	2	1		3.150	80	0.945	1.438	9	15/32	.224
DS-208-TT9		2	1		3.150	80	1.188	1.438	9	15/32	-
DS-208-TT5		2	1 1/8		3.150	80	0.709	1.438	9	15/32	-
	DS-208-TTR21	1	1 1/8		3.150	80	0.866	1.438	9		.224
	DS-208-TTR5	2	1 1/8		3.150	80	0.945	1.438	9	15/32	.224
DS-208-TT8	DS-208-TTR8	2	1 1/8		3.150	80	1.188	1.438	9	15/32	.224
DS-208-TT12A		4	1 1/8		3.439		1.188	1.438	9	15/32	-
DS-208-TT12		4	1 1/8		3.443		1.188	1.438	9	15/32	-
DS-210-TT4	DS-210-TTR4	3	1 1/8		3.543	90	1.188	1.188	10	1/2	.248
DS-210-TT6		2	1 1/8		3.543	90	1.188	1.438	10	1/2	-
	DS-210-TTR5S	2	1 1/8		3.543	90	1.188	1.750	10	1/2	.248
	DS-209-TTK	1	1 1/4		3.347	85	0.866	1.438	10	15/32	.248
DS-209-TT5	DS-209-TTR5	2	1 1/4		3.347	85	1.188	1.438	10	15/32	.248
DS-209-TT7		4	1 1/4		3.443		1.188	1.438	10	15/32	-
DS-211-TT3	DS-211-TTR3	3	1 1/2		3.937	100	1.313	1.313	10	9/16	.277
DS-211-TT6		4	1 1/2		4.130		1.438	1.750	10	9/16	-
	DS-216-TTR2	1	2 1/4		5.512	140	1.181	2.500	10	3/4	.360

Flanged Disc Harrow Units



"FD" Series

Unit Number	Type	Shaft Dia.	B	C	D	E	F	G	H
		A							
FD-209-RA	RD	1 3/4	1.640	1.687	5.000	5.000	.531	-	-
FD-209-RB	RD	1 1/2	1.640	1.687	5.000	5.000	-	.531	.687
FD-209-RK	SQ	1 1/4	1.640	1.687	5.000	5.000	.000	.531	.687
FD-209-RM	SQ	1 1/8	1.640	1.687	5.000	5.000	-	.531	.687
FD-210-R	SQ	1 1/8	1.750	1.750	5.000	5.000	.531	-	-
FD-211-RB	RD	2 3/16	1.799	2.187	5.500	5.500	.531	-	-
FD-211-RE	RD	1 3/4	1.799	2.187	5.500	5.500	.531	-	-
FD-211-RJA	RDC	1 15/16	1.799	2.125	5.500	5.500	.531	-	-
FD-211-RM	SQ	1 1/2	1.799	2.000	5.500	5.500	-	.531	.687
FD-211-RP	SQ	1 9/16	1.799	2.006	5.500	5.500	.531	-	-

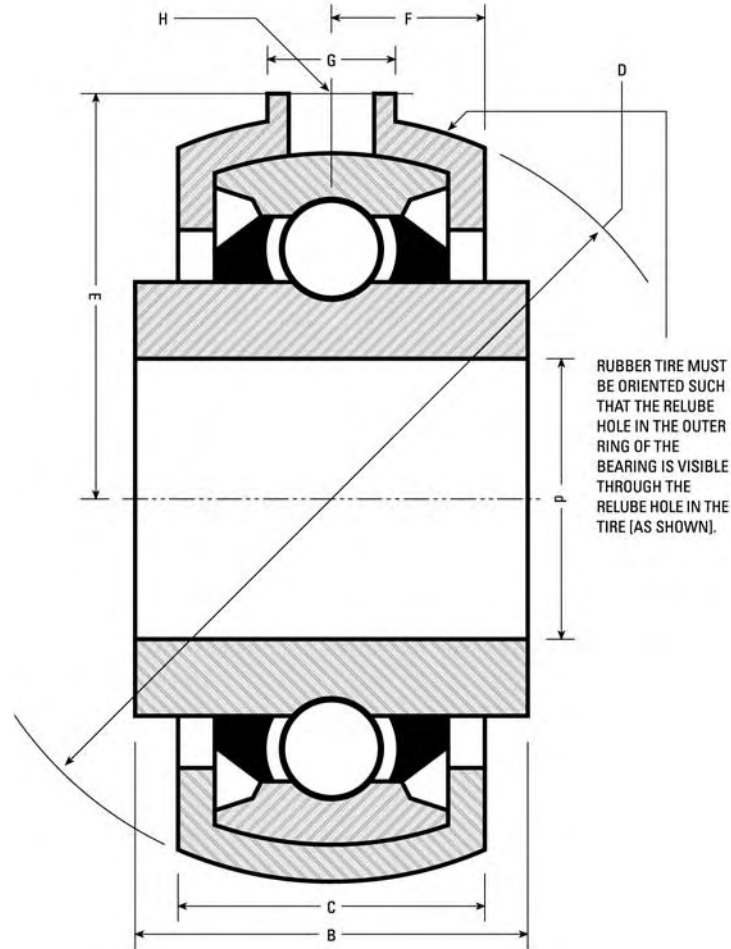
RD - ROUND

SQ - SQUARE

RDC - ROUND W/CAM

Disc Harrow Bearings

Rubber Mounted

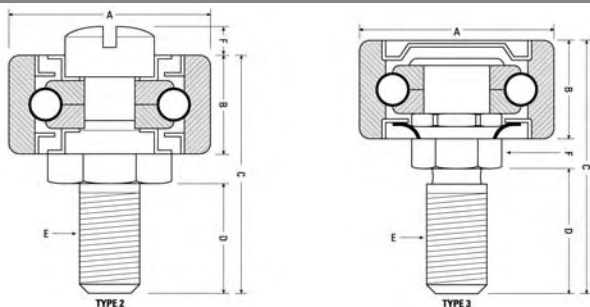


"CDS" Series

Bearing Number	Shaft Dia.	B	C	D	E	F	G	H	Bearing Insert
	d								
CDS-209-TTR6P	1 1/2	1.688	1.565	4.000	2.152	0.780	0.750	0.500	DS-209-TTR6P
CDS-211-TTR23	1 3/4	2.125	1.792	4.438	2.375	0.894	0.750	0.500	DS-211-TTR23

Cam Follower Bearings

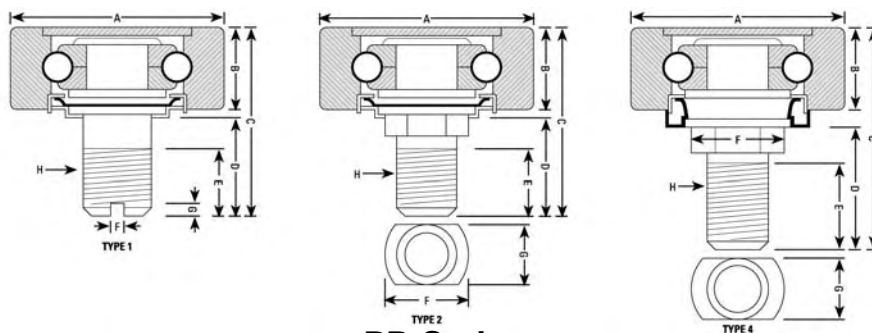
Size Listing



"CF" Series

Bearing Num	Type	O.D. A	Width B	Width C	Width D	Stud Dimensions	
						E	F
CF-6032	2	1.250	.625	1.625	0.750	3/8-24 UNF2A	0.1875
CF-6522	2	1.250	.625	2.000	1.125	3/8-24 UNF2A	0.1875
CF-6416	3	1.250	.625	1.625	0.750	3/8-24 UNF2A	1/2 Hex
CF-108-S4F6	3	1.500	.625	1.406	0.781	3/8 24-UNF2A	1/2 Hex
CF-6417	3	1.500	.625	1.438	0.781	1/2-20 UNF2A	5/8 Hex
CF-7811	3	1.500	.625	2.031	1.063	1/2-20 UNF2A	5/8 Hex

Plunger Rollers



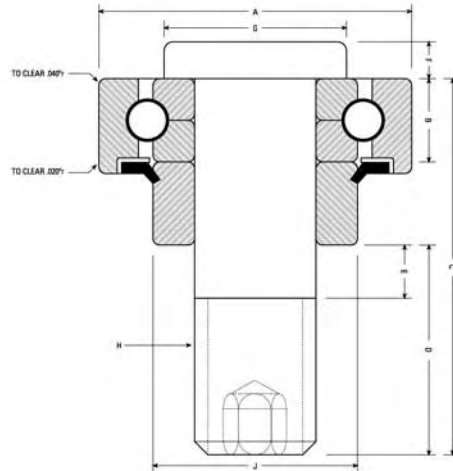
PR Series

Bearing Num	Type	A	B	C	D	E	F	G	H
PR-6206	1	2.500	.888	2.344	1.250	.906	.157	.160	1-14 NS2
PR-6901	2	2.500	.888	2.250	1.156	.813	1.000	.750	3/4-16 UNF2A
6901-P	4	2.500	.888	2.250	1.156	.813	1.000	.750	3/4-16 UNF2A

bearing
specification:
001011011101100110101
001011011101100110101

TIMKEN®

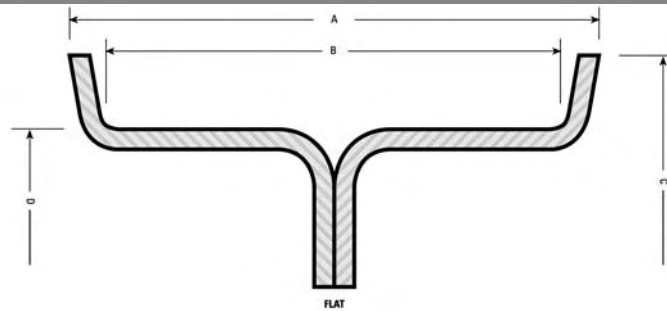
Tine Bar Bearings



"TB" Series

Bearing Number	O.D.		Width		Stud Dimensions					Thread Size
	A Inch	mm	B	C	D	E	F	G	J	H
TB-7623	1.850	47	.551	2.560	1.500	.563	.188	1.063	1.225	3/4-16 UNF2A
7890-A	1.850	47	.551	2.350	1.297	.563	.210	1.120	1.225	3/4-16 UNF2A
TB-8570	2.047	52	.700	2.560	1.500	.563	.188	1.080	1.225	3/4-16 UNF2A

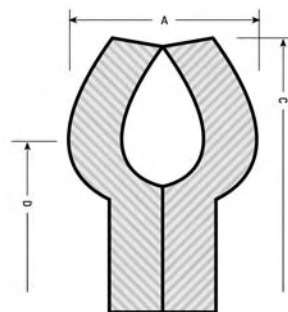
Idler Pulley Flat Type



"P" Series

Bearing Number	A	B	C	D	Shaft	Application
P-6361	1.000	.563	3.250	2.750	.500	Chains, Belts
P-6362	1.406	1.000	3.500	2.750	.500	Chains, Belts
P-6364	1.875	1.500	3.500	2.750	.500	Chains, Belts

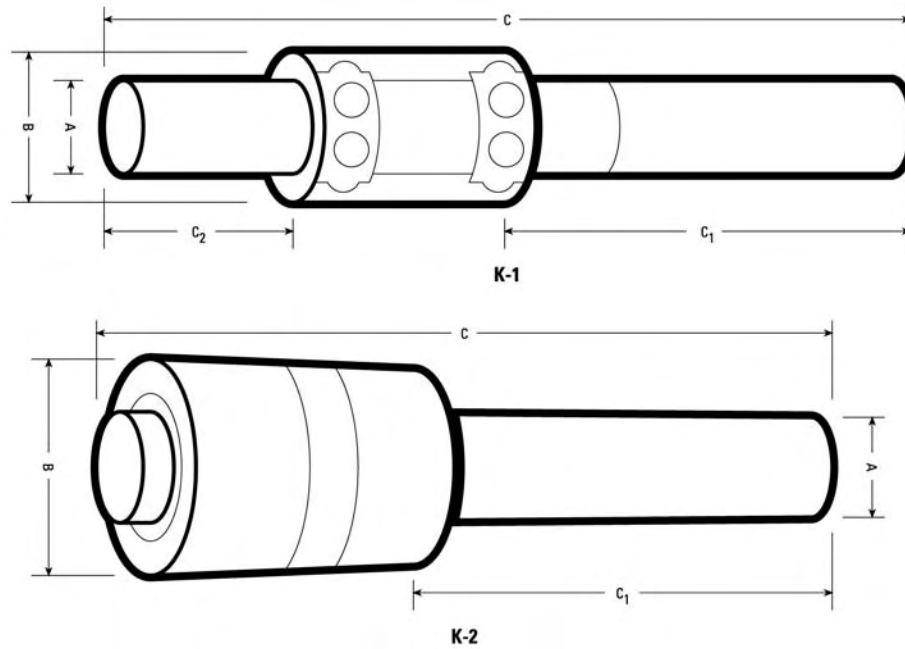
Idler Pulley Sprocket Type



"PS" Series

Bearing Number	Width A	C	D	Shaft Size	Application
PS-6744	.343	3.625	3.001	.500	17T 5/8 EXT

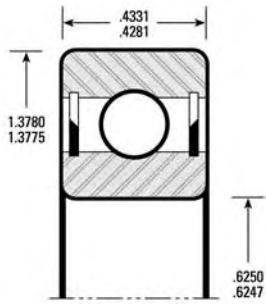
Water Pump/Gauge Wheel Bearings



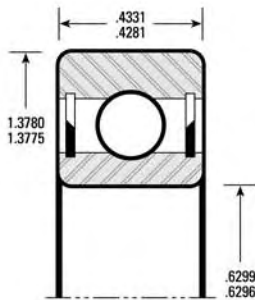
Size Listing

Bearing Number	Shaft Size	O.D.	C	C1	C2	Type
	A	B				
885154-B	.627	1.181	2.768	1.198	-	K2
885152	.627	1.181	2.879	1.191	-	K2
882256	.627	1.181	2.938	1.250	-	K2
885165-1	.627	1.181	3.250	1.563	-	K2
885471	.627	1.181	3.328	1.797	-	K2
885151-E	.627	1.181	3.850	2.156	-	K2
885140	.627	1.181	4.062	1.609	-	K1
885802	.627	1.500	5.740	1.855	1.760	K1

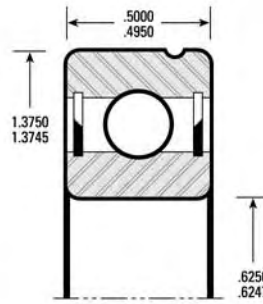
Specialty Bearings



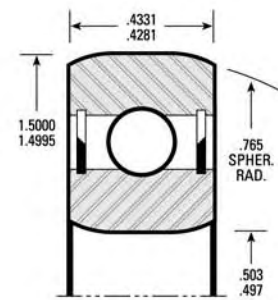
202-CC1



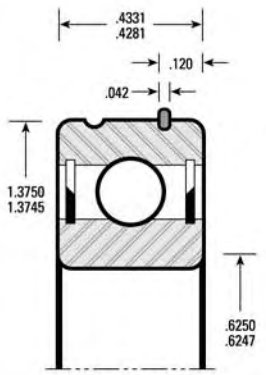
202-CC16



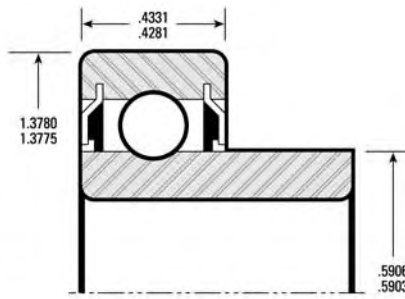
202-FFB



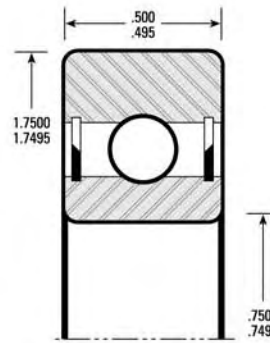
202-FFH8



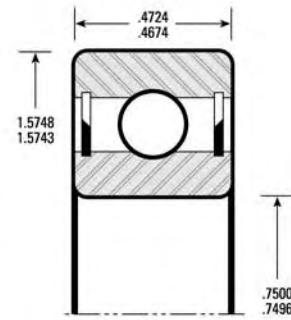
202-FFLB



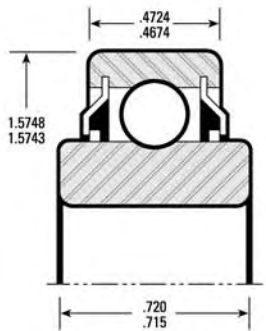
202-RRE



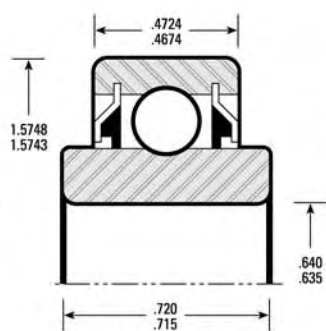
203-FFA



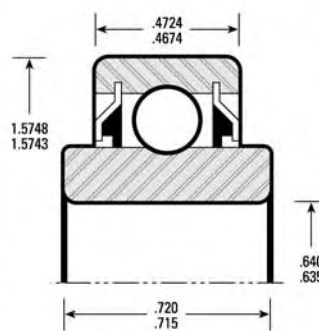
203-RR12



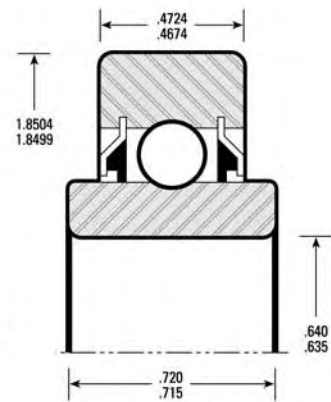
203-RRAR8



203-RRAR10

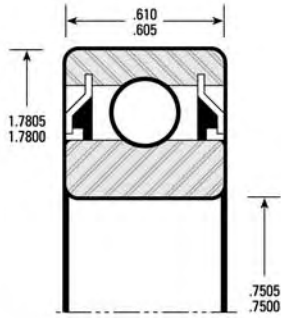


203-RRAR10N2

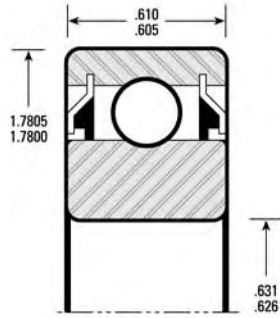


203-RRH10

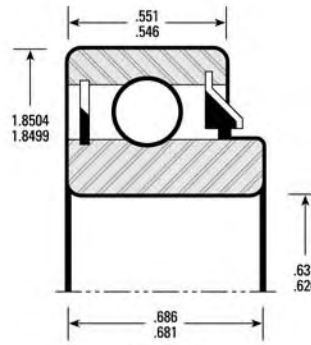
Specialty Bearings



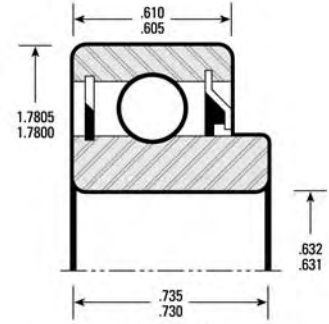
204-BBAR



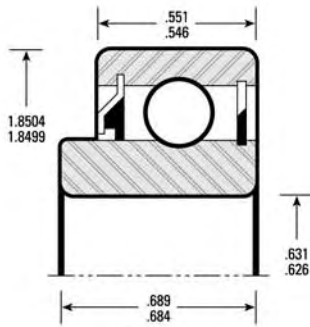
204-BBE



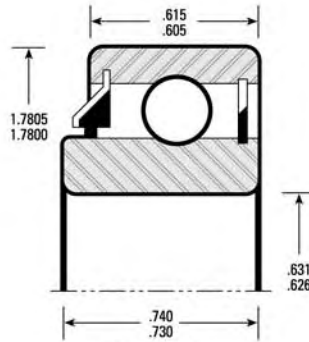
204-FGB



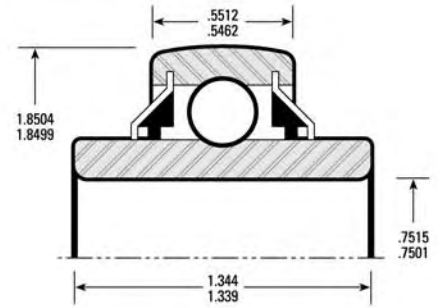
204-FREN



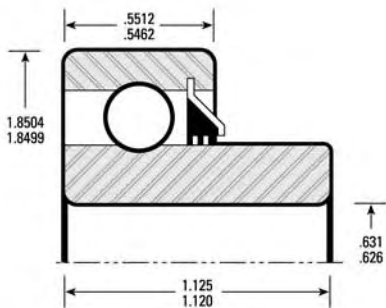
204-FRK



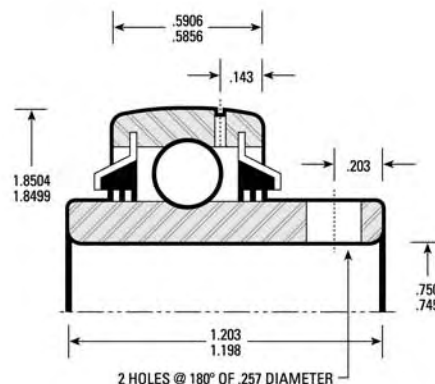
204-FVMN



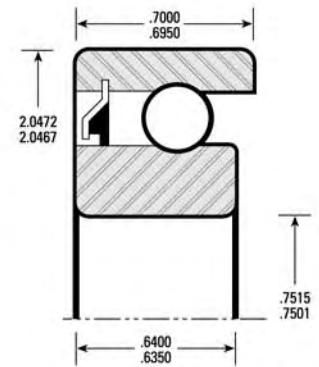
204-GGB



204-TJN

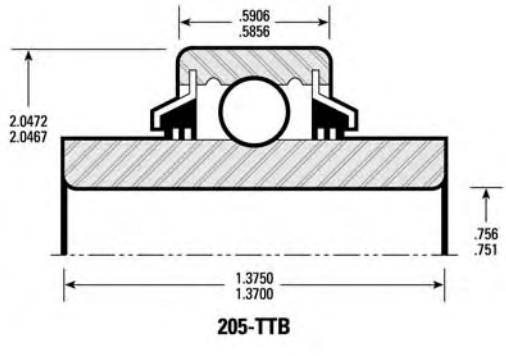
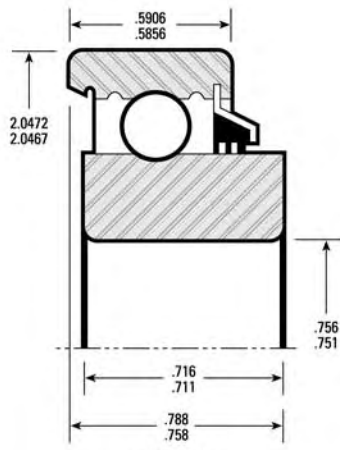
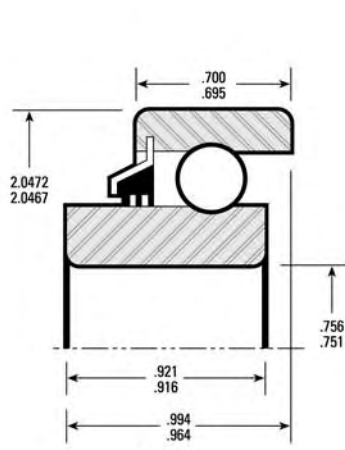
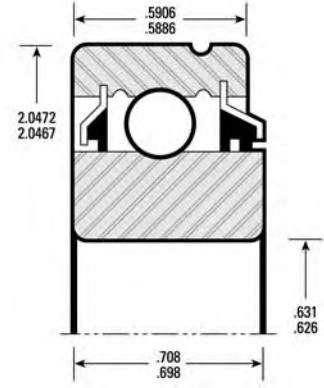
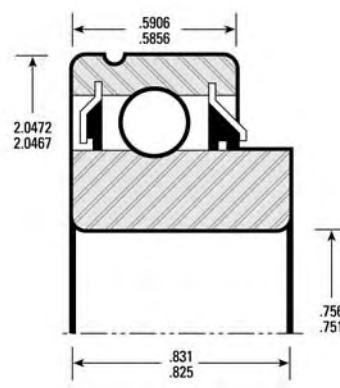
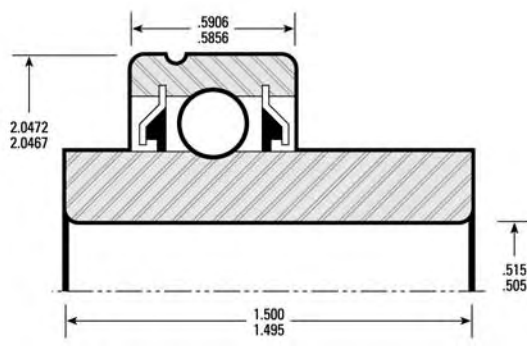
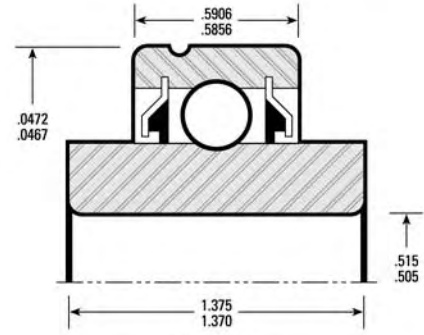
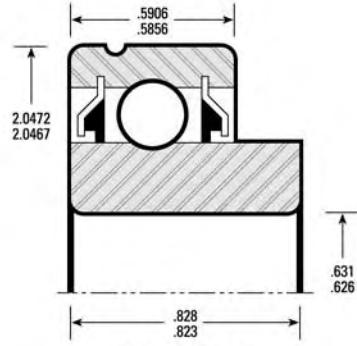
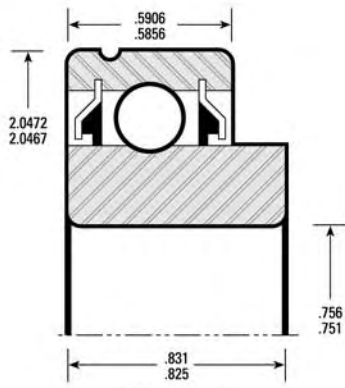


204-TTM

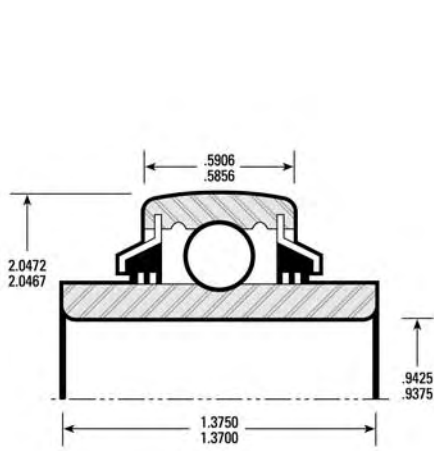


205-RHN

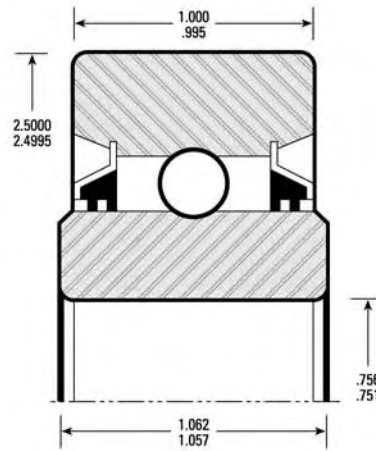
Specialty Bearings



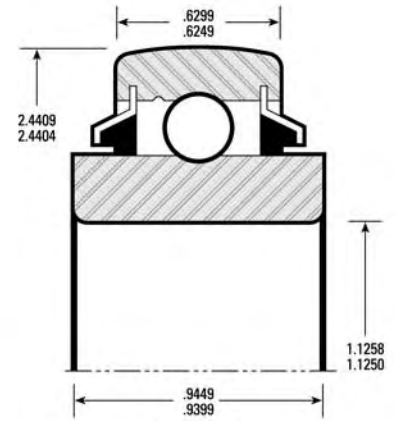
Specialty Bearings



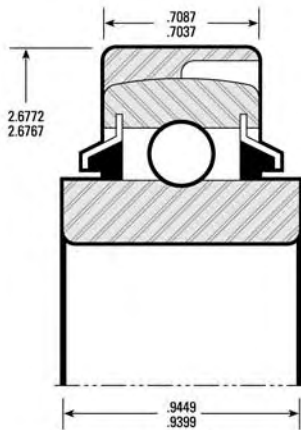
205-TTH



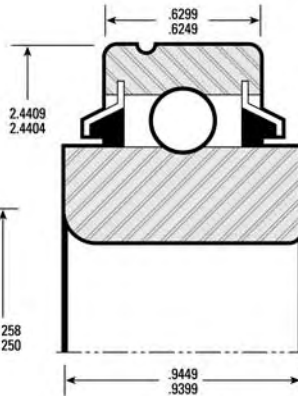
205-VVA



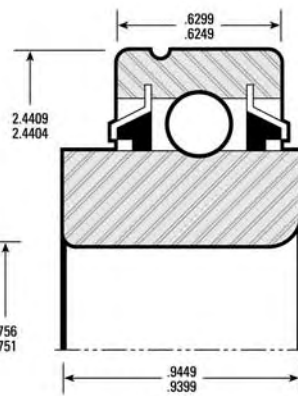
206-GGB



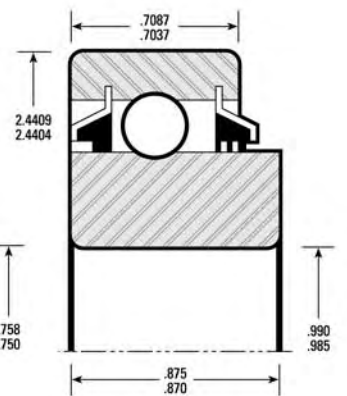
206-GGCE



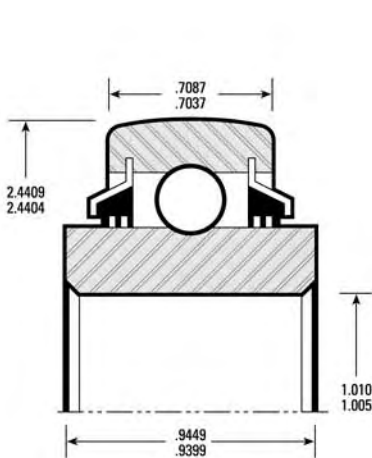
206-GGH



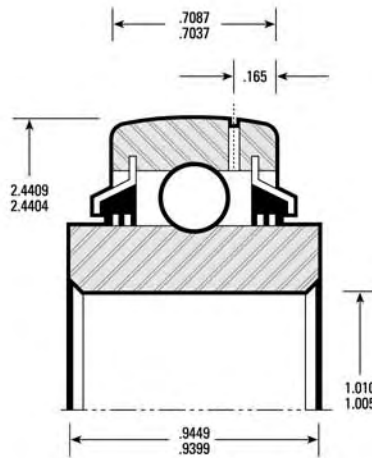
206-RRMN



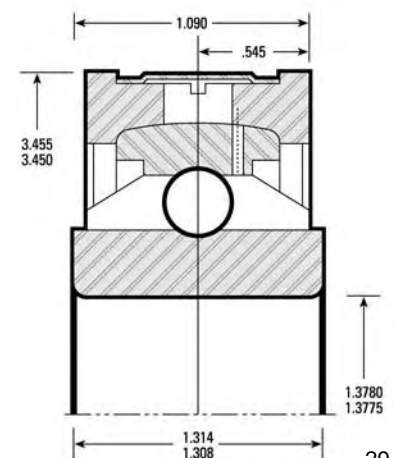
206-RTQ



206-TTA

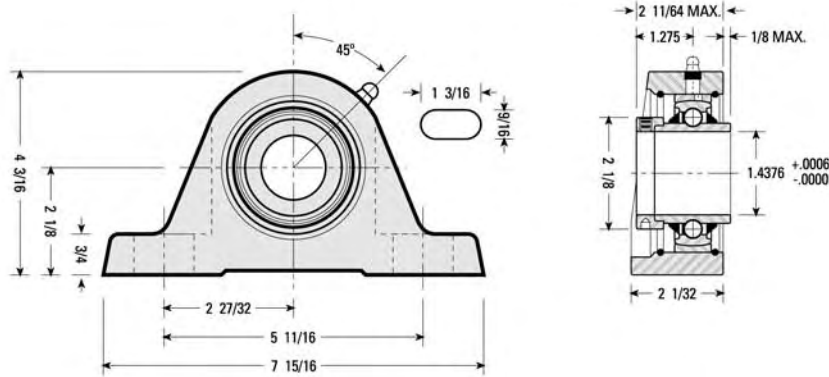


206-TTU

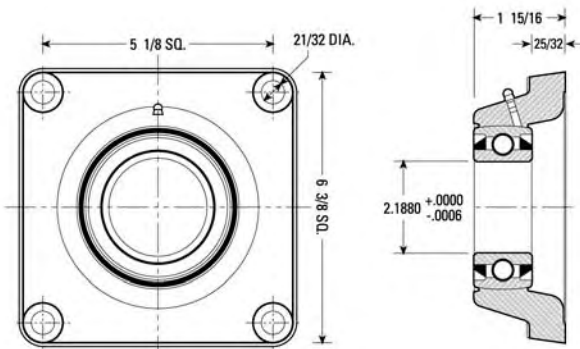


GB-983937

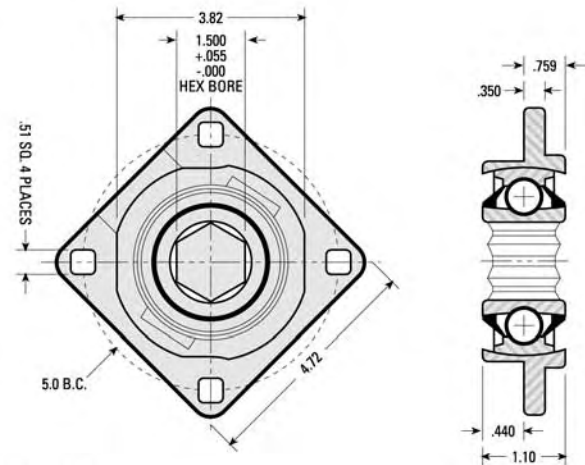
Specialty Bearings



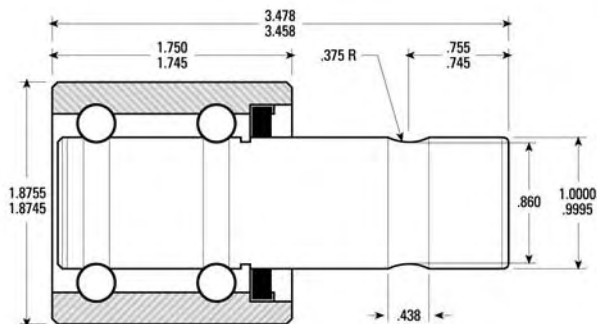
EPWGT-1 7/16-RA



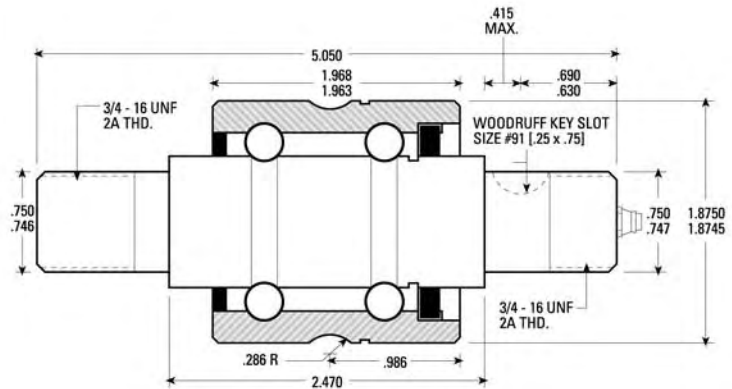
FDT-2 3/16-R



FAHG-1 1/2



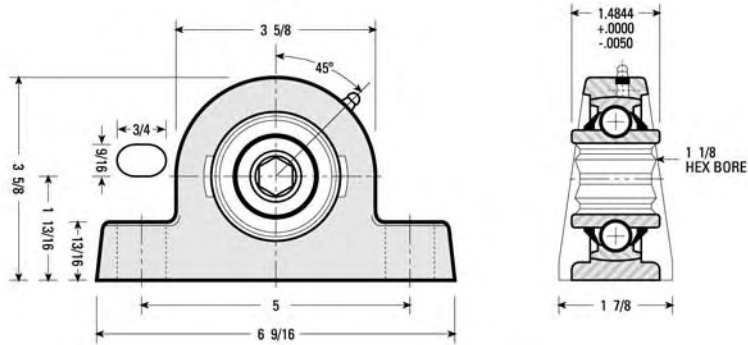
KD-7346-1



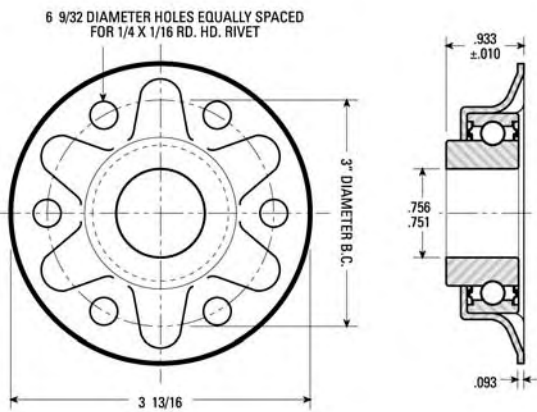
KKD-7505-TTI

Specialty Bearings

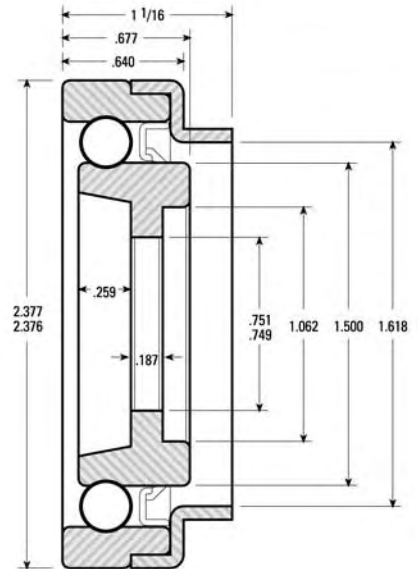
PHV-1 1/8-R



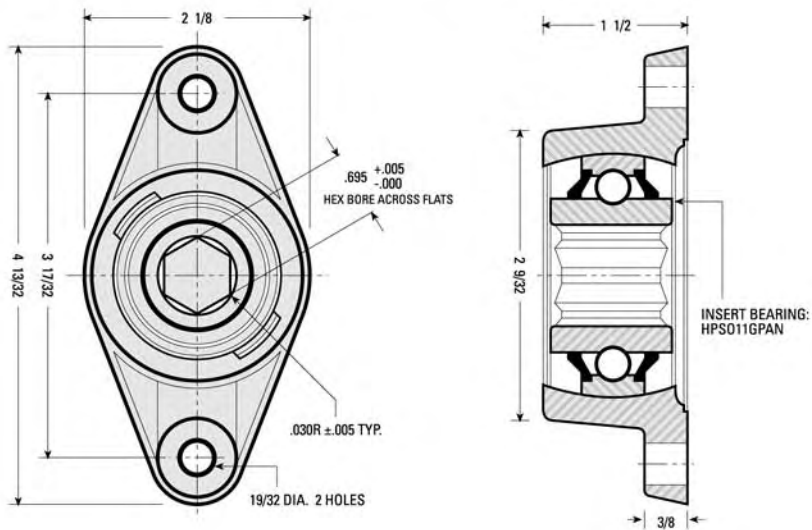
SE689



UA-6228-ZA

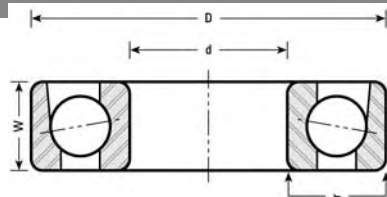


THG 11/16-A



Angular Contact Bearings

Single Row Ball Bearing

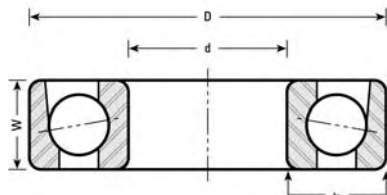


7100 Series

Bearing Number	Bore d		O.D. D		Width W		Fillet Radius r (*)
	Inch	mm	Inch	mm	Inch	mm	Inch
7109	0.5906	15	1.3780	35	0.3543	9	.025
# 7119-TL	3.7402	95	5.7087	145	0.9449	24	.060
## 7122-TLVG	4.3307	110	6.6929	170	1.1024	28	.080

Angular Contact Bearings

Single Row Ball Bearing

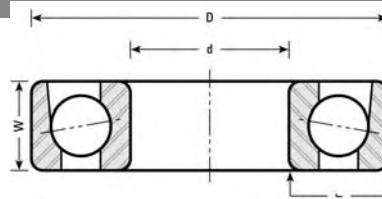


7200 Series

Bearing Number	Bore d		O.D. D		Width W		Fillet Radius r (*)
	Inch	mm	Inch	mm	Inch	mm	Inch
7204	0.7874	20	1.8504	47	.5512	14	.040
7205	0.9843	25	2.0472	52	.5906	15	.040
7205-TA	0.9843	25	2.0472	52	.5906	15	.040
7209	1.7717	45	3.3465	85	.7480	19	.040
7214-E	2.7559	70	4.9213	125	.9449	24	.060
7215-E	2.9528	75	5.1181	130	.9843	25	.060

Angular Contact Bearings

Single Row Ball Bearing

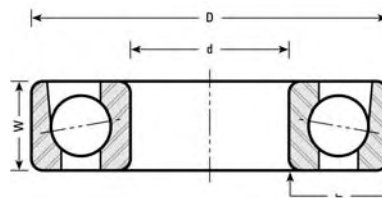


7300 Series

Bearing Number	Bore d		O.D. D		Width W		Fillet Radius r (*)
	Inch	mm	Inch	mm	Inch	mm	Inch
7303	0.6693	17	1.8504	47	.5512	14	.040
7306	1.1811	30	2.8346	72	.7480	19	.040

Angular Contact Bearings

Single Row Ball Bearing



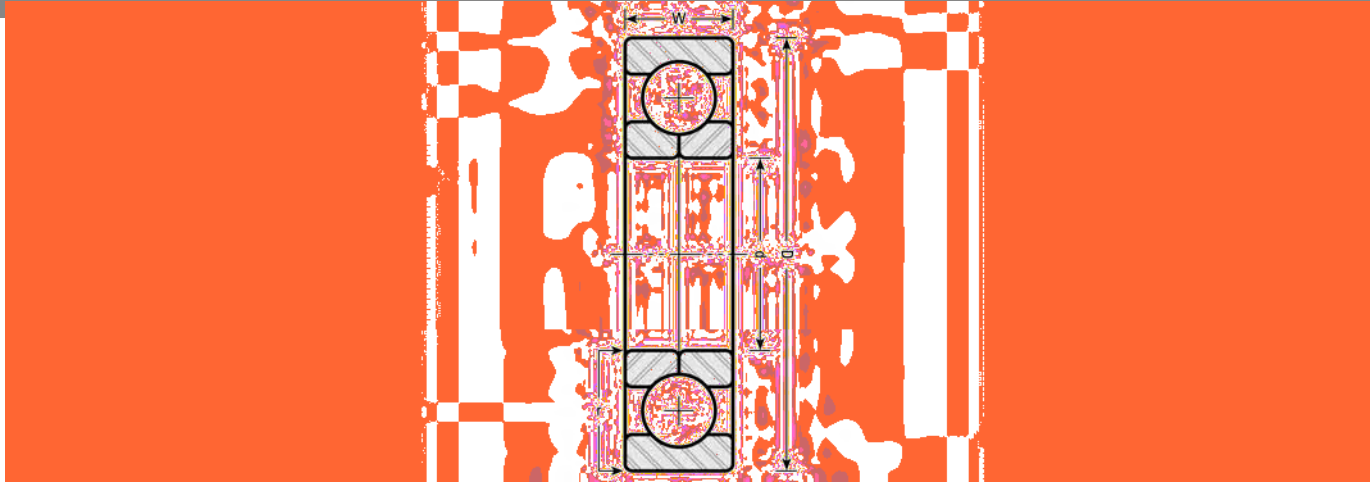
7200 Series - Speciality Bearings

Bearing Number	Bore d		O.D. D		Width W		Special Features
	Inch	mm	Inch	mm	Inch	mm	
7211-HFL	2.1654	55	3.9370	100	.8268	21	Basic 7211HL with high temp seal on same side of bearing as Snap Ring
7211-HL	2.1654	55	3.9370	100	.8268	21	Basic 7211L with 20° angle of contact
D-7213-J	2.5591	65	4.7244	120	.9055	23	Basic 7213J, Duplex Ground

* Bearing Corner Radii Will Clear Maximum Fillet Radius Shown

Angular Contact Bearings

Single Row w/Split Inner Ring



9000 Series

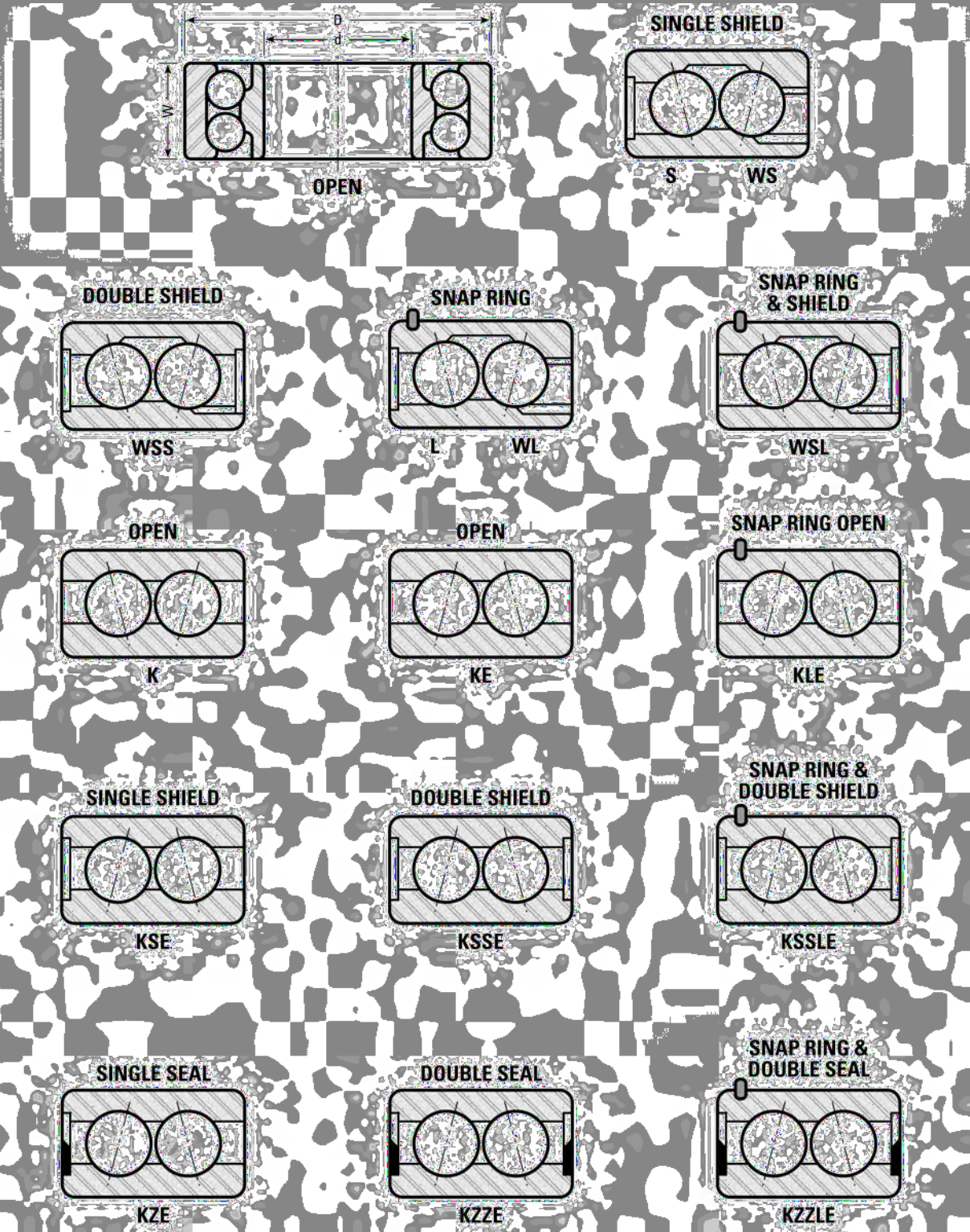
Bearing Number	Bore d		O.D. D		Width W		Fillet Radius r *
	Inch	mm	Inch	mm	Inch	mm	inch
(1) 9122-KML	4.3307	110	6.6929	170	1.1024	28	.080
9218-K	3.5433	90	6.2990	160	1.1810	30	.080
9222-KM	4.3307	110	7.8740	200	1.4960	38	.080
(2) 9308-KL	1.5748	40	3.5433	90	.9060	23	.060
9309-K	1.7717	45	3.9370	100	.9840	25	.060
9311-K	2.1654	55	4.7244	120	1.1420	29	.080

* Bearing Corner Radii Will Clear Maximum Fillet Radius Shown

(1) Snap Ring OD 7-3/16, Width .120, Offset .261 (2) Snap Ring OD 3-61/64, Width .095, Offset .220

Double Row Ball Bearings

5200 Series



Angular Contact Bearings

Double Row Ball Bearing 5200 Series

Bearing Number	Bore d		O.D. D		Width W	
	Inch	mm	Inch	mm	Inch	mm
5203-KE	0.6693	17	1.5748	40	0.6875	17.40
5203-KLE	0.6693	17	1.5748	40	0.6875	17.40
5203-KSLE	0.6693	17	1.5748	40	0.6875	17.40
5203-KSSE	0.6693	17	1.5748	40	0.6875	17.40
5203-KZZE	0.6693	17	1.5748	40	0.6875	17.40
5204-KE	0.7874	20	1.8504	47	0.8125	20.64
5204-KLE	0.7874	20	1.8504	47	0.8125	20.64
5204-KSSE	0.7874	20	1.8504	47	0.8125	20.64
5204-KSSLE	0.7874	20	1.8504	47	0.8125	20.64
5204-KZZE	0.7874	20	1.8504	47	0.8125	20.64
5204-KZZLE	0.7874	20	1.8504	47	0.8125	20.64
5205-FFH	0.9843	25	2.0472	52	0.8100	20.57
5205-KE	0.9843	25	2.0472	52	0.8125	20.64
5205-KLE	0.9843	25	2.0472	52	0.8125	20.64
5205-KSE	0.9843	25	2.0472	52	0.8125	20.64
5205-KSSE	0.9843	25	2.0472	52	0.8125	20.64
5205-KSSLE	0.9843	25	2.0472	52	0.8125	20.64
5205-KZZE	0.9843	25	2.0472	52	0.8125	20.64
5205-KZZLE	0.9843	25	2.0472	52	0.8125	20.64
5206-DD	1.1811	30	2.4409	62	1.0625	26.99
5206-FFH	1.1811	30	2.4409	62	0.9375	23.75
5206-KE	1.1811	30	2.4409	62	0.9375	23.81
5206-KLE	1.1811	30	2.4409	62	0.9375	23.81
5206-KSE	1.1811	30	2.4409	62	0.9375	23.81
5206-KSSE	1.1811	30	2.4409	62	0.9375	23.81
5206-KSSLE	1.1811	30	2.4409	62	0.9375	23.81
5206-KZZE	1.1811	30	2.4409	62	0.9375	23.81
5206-KZZLE	1.1811	30	2.4409	62	0.9375	26.99
5207-FFH	1.3780	35	2.8346	72	1.0625	26.92
5207-KE	1.3780	35	2.8346	72	1.0625	26.99
5207-KLE	1.3780	35	2.8346	72	1.0625	26.99
5207-KSE	1.3780	35	2.8346	72	1.0625	26.99
5207-KSSE	1.3780	35	2.8346	72	1.0625	26.99
5207-KSSLE	1.3780	35	2.8346	72	1.0625	26.99
5207-KZZE	1.3780	35	2.8346	72	1.0625	26.99

bearing
specification:
0010110111011100110101
0010110111011100110101

TIMKEN®

Angular Contact Bearings

Double Row Ball Bearing - Continued

5200 Series

Bearing Number	Bore d		O.D. D		Width W	
	Inch	mm	Inch	mm	Inch	mm
5207-KZZLE	1.3780	35	2.8346	72	1.0625	26.99
5207-W	1.3780	35	2.8346	72	1.0625	26.99
5207-WS	1.3780	35	2.8346	72	1.0625	26.99
5207-WSS	1.3780	35	2.8346	72	1.0625	26.99
5208-KE	1.5748	40	3.1496	80	1.1875	30.16
5208-KSSE	1.5748	40	3.1496	80	1.1875	30.16
5208-KSSLE	1.5748	40	3.1496	80	1.1875	30.16
5208-KZZE	1.5748	40	3.1496	80	1.1875	30.16
5208-KZZLE	1.5748	40	3.1496	80	1.1875	30.16
5208-W	1.5748	40	3.1496	80	1.1875	30.16
5208-WS	1.5748	40	3.1496	80	1.1875	30.16
5208-WSS	1.5748	40	3.1496	80	1.1875	30.16
5209-KE	1.7717	45	3.3465	85	1.1875	30.16
5209-KLE	1.7717	45	3.3465	85	1.1875	30.16
5209-KSSE	1.7717	45	3.3465	85	1.1875	30.16
5209-KSSLE	1.7717	45	3.3465	85	1.1875	30.16
5209-KZZE	1.7717	45	3.3465	85	1.1875	30.16
5209-KZZLE	1.7717	45	3.3465	85	1.1875	30.16
5209-W	1.7717	45	3.3465	85	1.1875	30.16
5209-WS	1.7717	45	3.3465	85	1.1875	30.16
5209-WSS	1.7717	45	3.3465	85	1.1875	30.16
5210-KE	1.9685	50	3.5433	90	1.1875	30.16
5210-KLE	1.9685	50	3.5433	90	1.1875	30.16
5210-KSE	1.9685	50	3.5433	90	1.1875	30.16
5210-KSSE	1.9685	50	3.5433	90	1.1875	30.16
5210-KSSLE	1.9685	50	3.5433	90	1.1875	30.16
5210-KZZE	1.9685	50	3.5433	90	1.1875	30.16
5210-KZZLE	1.9685	50	3.5433	90	1.1875	30.16
5210-W	1.9685	50	3.5433	90	1.1875	30.16
5210-WS	1.9685	50	3.5433	90	1.1875	30.16
5210-WSS	1.9685	50	3.5433	90	1.1875	30.16
5211-KE	2.1654	55	3.9370	100	1.3125	33.34
5211-KLE	2.1654	55	3.9370	100	1.3125	33.34
5211-KSSE	2.1654	55	3.9370	100	1.3125	33.34
5211-KSSLE	2.1654	55	3.9370	100	1.3125	33.34

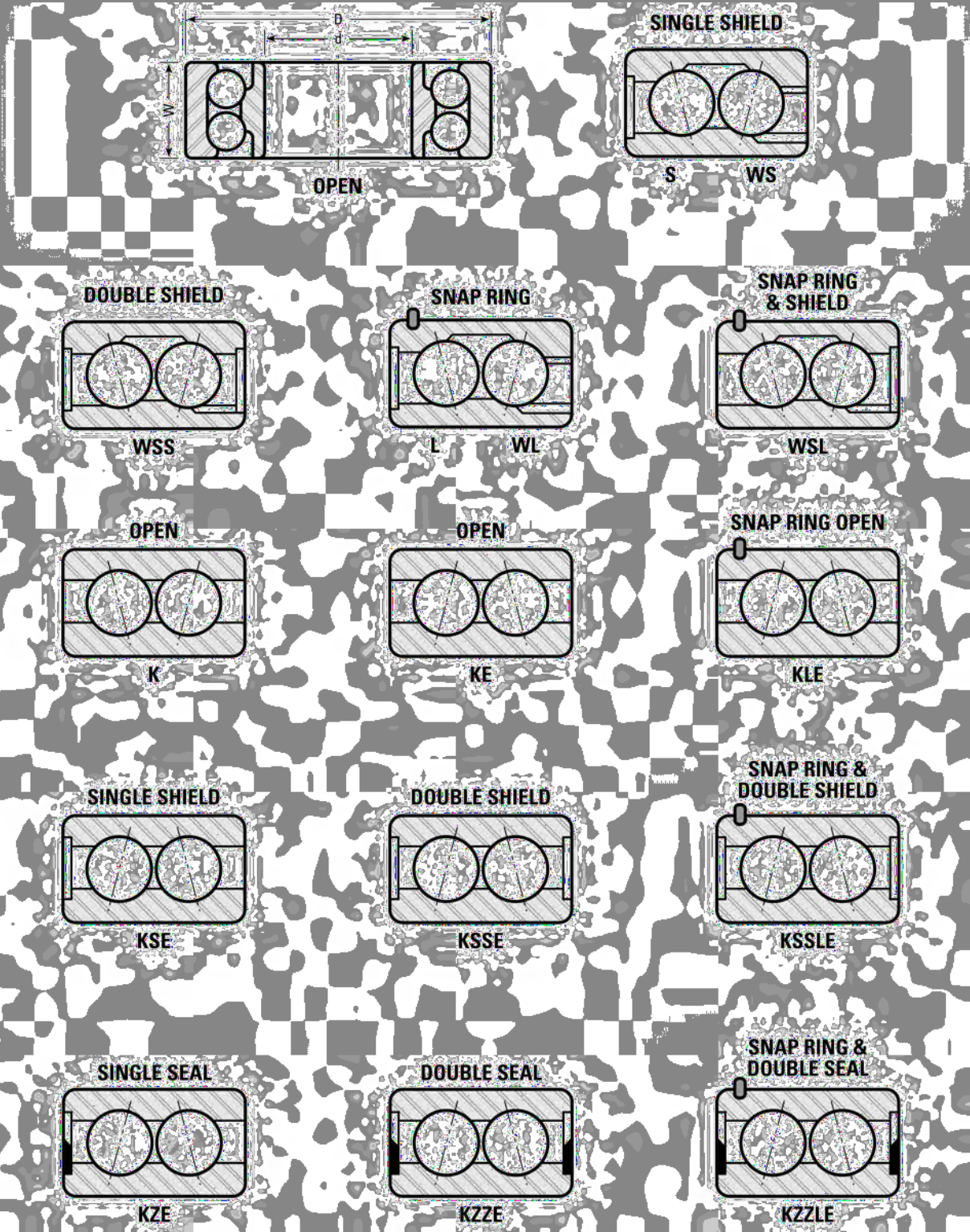
Angular Contact Bearings

Double Row Ball Bearing - Continued 5200 Series

Bearing Number	Bore d		O.D. D		Width W	
	Inch	mm	Inch	mm	Inch	mm
5211-KZZE	2.1654	55	3.9370	100	1.3125	33.34
5211-W	2.1654	55	3.9370	100	1.3125	33.34
5211-WS	2.1654	55	3.9370	100	1.3125	33.34
5211-WSS	2.1654	55	3.9370	100	1.3125	33.34
5212-KE	2.3622	60	3.9370	110	1.4375	33.34
5212-KSSE	2.3622	60	4.3307	110	1.4375	36.51
5212-KSSLE	2.3622	60	4.3307	110	1.4375	36.51
5212-KZE	2.3622	60	4.3307	110	1.4375	36.51
5212-KZZE	2.3622	60	4.3307	110	1.4375	36.51
5212-KZZLE	2.3622	60	4.3307	110	1.4375	36.51
5212-W	2.3622	60	4.3307	110	1.4375	36.51
5212-WL	2.3622	60	4.3307	110	1.4375	36.51
5212-WS	2.3622	60	4.3307	110	1.4375	36.51
5212-WSS	2.3622	60	4.3307	110	1.4375	36.51
5215-W	2.9528	75	5.1181	130	1.6250	41.28
5215-WSS	2.9528	75	5.1181	130	1.6250	41.28
5218	3.5433	90	6.2992	160	2.0625	41.28

Angular Contact Bearings

Double Row Ball Bearing - 5300 Series



Angular Contact Bearings

Double Row Ball Bearing 5300 Series

Part Number	Bore		O.D.		Width	
	Inch d	mm	Inch D	mm	Inch W	mm
5304	0.7874	20	2.0472	52	0.8750	22.23
5304-KE	0.7874	20	2.0472	52	0.8750	22.23
5304-KSSE	0.7874	20	2.0472	52	0.8750	22.23
5304-KSSLE	0.7874	20	2.0472	52	0.8750	22.23
5304-KZZE	0.7874	20	2.0472	52	0.8750	22.23
5304-KZZLE	0.7874	20	2.0472	52	0.8750	22.23
5305-KE	0.9843	25	2.4409	62	1.0000	25.4
5305-KLE	0.9843	25	2.4409	62	1.0000	25.4
5305-KSE	0.9843	25	2.4409	62	1.0000	25.4
5305-KSSE	0.9843	25	2.4409	62	1.0000	25.4
5305-KSSLE	0.9843	25	2.4409	62	1.0000	25.4
5305-KZZE	0.9843	25	2.4409	62	1.0000	25.4
5305-KZZLE	0.9843	25	2.4409	62	1.0000	25.4
5305-L	0.9843	25	2.4409	62	1.0000	25.4
5306-KE	1.1811	30	2.8346	72	1.1875	30.16
5306-KLE	1.1811	30	2.8346	72	1.1875	30.16
5306-KSE	1.1811	30	2.8346	72	1.1875	30.16
5306-KSSE	1.1811	30	2.8346	72	1.1875	30.16
5306-KZZE	1.1811	30	2.8346	72	1.1875	30.16
5306-W	1.1811	30	2.8346	72	1.1875	30.16
5306-WS	1.1811	30	2.8346	72	1.1875	30.16
5306-WSS	1.1811	30	2.8346	72	1.1875	30.16
5307-KE	1.3780	35	3.1496	80	1.3750	34.93
5307-KLE	1.3780	35	3.1496	80	1.3750	34.93
5307-KSSE	1.3780	35	3.1496	80	1.3750	34.93
5307-KSSLE	1.3780	35	3.1496	80	1.3750	34.93
5307-KZZE	1.3780	35	3.1496	80	1.3750	34.93
5307-KZZLE	1.3780	35	3.1496	80	1.3750	34.93
5307-W	1.3780	35	3.1496	80	1.3750	34.93
5307-WS	1.3780	35	3.1496	80	1.3750	34.93
5308-KE	1.5748	40	3.5433	90	1.4375	36.51
5308-KLE	1.5748	40	3.5433	90	1.4375	36.51
5308-KSSE	1.5748	40	3.5433	90	1.4375	36.51
5308-KSSLE	1.5748	40	3.5433	90	1.4375	36.51
5308-KZZE	1.5748	40	3.5433	90	1.4375	36.51

bearing
specification:
0010110111011100110101
0010110111011100110101

TIMKEN®

Angular Contact Bearings

Double Row Ball Bearing - Continued 5300 Series

Part Number	Bore		O.D.		Width	
	Inch d	mm	Inch D	mm	Inch W	mm
5308-KZZLE	1.5748	40	3.5433	90	1.4375	36.51
5308-W	1.5748	40	3.5433	90	1.4375	36.51
5308-WL	1.5748	40	3.5433	90	1.4375	36.51
5308-WS	1.5748	40	3.5433	90	1.4375	36.51
5308-WSL	1.5748	40	3.5433	90	1.4375	36.51
5308-WSS	1.5748	40	3.5433	90	1.4375	36.51
5309-KE	1.7717	45	3.9370	100	1.5625	39.69
5309-KLE	1.7717	45	3.9370	100	1.5625	39.69
5309-KSE	1.7717	45	3.9370	100	1.5625	39.69
5309-KSSE	1.7717	45	3.9370	100	1.5625	39.69
5309-KZZE	1.7717	45	3.9370	100	1.5625	39.69
5309-KZZLE	1.7717	45	3.9370	100	1.5625	39.69
5309-W	1.7717	45	3.9370	100	1.5625	39.69
5309-WL	1.7717	45	3.9370	100	1.5625	39.69
5309-WS	1.7717	45	3.9370	100	1.5625	39.69
5309-WSL	1.7717	45	3.9370	100	1.5625	39.69
5309-WSS	1.7717	45	3.9370	100	1.5625	39.69
5309-WSSL	1.7717	45	3.9370	100	1.5625	39.69
5310-KE	1.9685	50	4.3307	110	1.7500	44.45
5310-KLE	1.9685	50	4.3307	110	1.7500	44.45
5310-KSSE	1.9685	50	4.3307	110	1.7500	44.45
5310-KSSLE	1.9685	50	4.3307	110	1.7500	44.45
5310-KZZE	1.9685	50	4.3307	110	1.7500	44.45
5310-KZZLE	1.9685	50	4.3307	110	1.7500	44.45
5310-W	1.9685	50	4.3307	110	1.7500	44.45
5310-WL	1.9685	50	4.3307	110	1.7500	44.45
5310-WS	1.9685	50	4.3307	110	1.7500	44.45
5310-WSS	1.9685	50	4.3307	110	1.7500	44.45
5311-KE	2.1654	55	4.7244	120	1.9375	49.21
5311-KLE	2.1654	55	4.7244	120	1.9375	49.21
5311-KSSE	2.1654	55	4.7244	120	1.9375	49.21
5311-KZZE	2.1654	55	4.7244	120	1.9375	49.21
5311-W	2.1654	55	4.7244	120	1.9375	49.21
5311-WL	2.1654	55	4.7244	120	1.9375	49.21
5312-W	2.3622	60	5.1181	130	2.1250	53.98

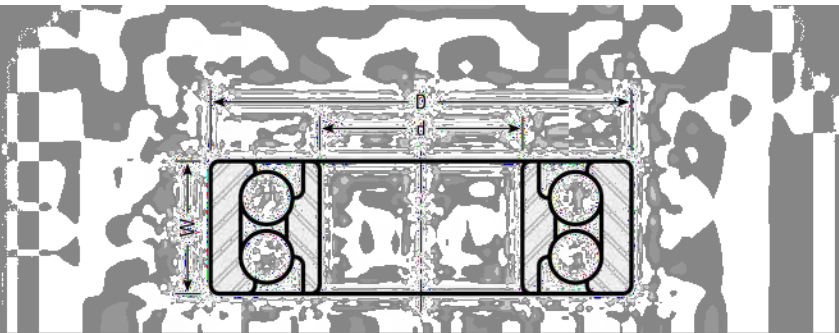
Angular Contact Bearings

Double Row Ball Bearing - Continued 5300 Series

Part Number	Bore d		O.D. D		Width W	
	Inch	mm	Inch	mm	Inch	mm
5312-WL	2.3622	60	5.1181	130	2.1250	53.98
5313-W	2.5591	65	5.1181	140	2.3125	58.74
5313-WL	2.5591	65	5.5118	140	2.3125	58.74
5314-W	2.7559	70	5.9055	150	2.5000	63.5
5314-WL	2.7559	70	5.9055	150	2.5000	63.5

Angular Contact Bearings

Double Row Ball Bearing



Speciality Bearings

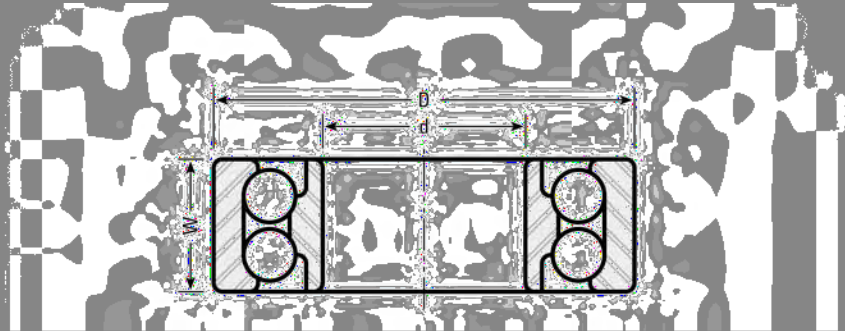
Part Number	Bore d		O.D. D		Width W		
	Inch	mm	Inch	mm	Inch	mm	
5106-WCC	1.1811	30	2.1654	55	0.9062	23.02	Air Conditioner Bearing
5000-KFF	1.5748	40	2.4409	62	0.9449	24.00	O.R. Width .8125" Air Conditioner Bearing
5001-KFF	1.5748	40	2.4409	62	0.9449	24.00	Air Conditioner Bearing
5208-VFFH	1.5748	40	3.1496	80	1.1875	30.16	Basic 5208VFH Double Sealed
907257	1.5748	40	2.4409	62	0.7874	20.00	Double Row, Angle of Contact - 24° Air Conditioner Bearing

bearing
specification:
0010110111011100110101
0010110111011100110101

TIMKEN®

Angular Contact Bearings

Double Row Ball Bearing - Continued



Speciality Bearings

Part Number	Bore d		O.D. D		Width W		
	Inch	mm	Inch	mm	Inch	mm	
5310-WLB	1.7717	45	4.3307	110	1.7500	44.45	Basic 5310WL with 45mm Bore
5310-WA	1.9685	50	4.3307	110	1.8750	47.63	Basic 5310W with 1.8750" I.R. Width, Angle of Contact - 35° one side, 20° one side.

Radial Bearing Prefixes and Suffixes

PREFIX	SUFFIX	A, B, E, H, J, K, Q, U, W AND NUMERICAL SUFFIXES ARE SPECIALTY BEARINGS WITH NON-STANDARD DIMENSIONS AND FEATURES
A-		Idler pulley shell style with attachment.
	-A	25-degree angle of contact.
	-AC	Locking collar with aligning ring, heavy series adapters.
	-AR	Special inner, outer ring corners, locking collar on rear wheel types.
	-B	35-degree angle of contact.
	-BBAR	Two narrow single lip permanent land riding seals, dimensions special.
C, CA, CC- CB-		Variation in carrier on clutch release bearings.
		Conveyor bearing with hex bore.
	-C	Eccentric locking collar on adapter types.
	-C	Rubber seal lip bonded to sheet metal insert.
	-CC1, CCI	Two piece permanent wiping seal on both sides of bearing, with special 5/8" bore.
	-CC16, CCAG	Two piece permanent wiping seal on both sides of bearing, with special 16 mm bore.
CF-		Cam follower type.
CG-		Chain guide type.
	-CCRA	Two piece permanent wiping seal on both sides of bearing, wedding ring supplied with read wheel types.
DA, DB, DC, DD, DT- DC-		Variation in carrier on clutch release bearings.
		Disc harrow type, cylindrical O.D.
	-D	Double lip permanent molded seal.
DS-		Disc harrow bearing, spherical O.D.
E-		Magneto type.
	-E	Case carburized race for adapter bearing.
F-		Idler pulley with flat style shell.
	-F	Molded single lip removable seal.
	-F	Special feature for clutch release bearings.
F, FA, FB, FC, FD, FE- FD-		Variation in carrier on clutch release bearings.
		Flanged disc bearing assembly.
	-FFA	Single lip seal on both sides, with special 3/4" bore.
	-FFLB	Special bearing with two single lip snap-in seals and snap ring.
	-FGB	Wide single lip seal on extended inner ring with single lip snap-in seal on the opposite side, special type.
FPB-		Stamped steel pillow block with flange.
	-FVB	Single lip seal, wide double lip "non-removable" land-riding seal with special bearing dimensions.
FW4H-		Front wheel hub.
FW5H-		Front wheel hub.
FWG-		Four bolt cast iron flange, wide adapter bearing, wide single lip "non-removable" land riding seals with eccentric locking collar.
FWRH-		Four bolt cast iron flange, wide inner ring with PTFE seals, heavy series with eccentric locking collar.

Radial Bearing Prefixes and Suffixes

PREFIX	SUFFIX	A, B, E, H, J, K, Q, U, W AND NUMERICAL SUFFIXES ARE SPECIALTY BEARINGS WITH NON-STANDARD DIMENSIONS AND FEATURES
F2L-		Flat idler pulley, narrow width, prelubricated.
F5L-		Flat idler pulley, high speed series "5", prelubricated.
G-		Relubricatable stamped flange.
	-G	Keyway on inner or outer ring.
	-G	Wide single lip "non-removable" land-riding seal.
G, GM-		Variation in carrier on clutch release types.
	-GGB	Two wide single lip "non-removable" land-riding seals, spherical O.D., 1-1/8" bore.
	-GGH	Two wide single lip "non-removable" land-riding seals, 3/4" bore.
	-GP2C, GPCC	Wide single lip "non-removable" land-riding seals, prelubricated, special bore, with eccentric locking collar.
	-GR2C, GRCC	Wide single lip "non-removable" land-riding seal, relubricatable special bore, with eccentric locking collar.
	-H	Special snap ring on radial bearings.
	-H	Idler pulley shell style - hard.
HB-		Hanger bearing.
HBD-		Hanger bearing, special feature.
HC-		Hydraulic clutch bearing assembly.
HEC-		Hex bore, economy, cylindrical O.D. adapter.
HPC-		Hex bore, precision ground cylindrical O.D. adapter.
HPS-		Hex bore, precision ground cylindrical O.D. adapter.
I, IA, IC-		Variation in carrier on clutch release types.
	-J	40 degree angle of contact with angular contact types.
	-K	Wheel bearing kit consisting of axle nut, washer, and seal.
	-K	Double row bearing with vertex of contact angles outside the bearing, Conrad type, nylon retainer.
	-K	"Gothic arch" on 9000 series.
	-KE	Double row bearing with vertex of contact angles outside the bearings, steel retainer, Conrad type.
	-KM	Gothic arch angular contact with snap ring and bronze retainer.
L-		Idler pulley, prelubricated.
	-L	Snap ring grooved outer, snap ring supplied.
	-LA	Snap ring groove on opposite side from standard. Snap ring not supplied.
	-LH	Left hand thread.
	-LO	Snap ring groove on standard side. Snap ring not supplied.
	-LOE	Snap ring groove on standard side, special features. Snap ring not supplied.
LS-		Light series, inch type.
	-LV	Snap ring groove on opposite side from standard. Snap ring supplied.
	-LX	Special bore corners.
	-M	Machined bronze retainer.
M, MC-		Variation in carrier on clutch release types.
MC-		Master cylinder.

Radial Bearing Prefixes and Suffixes

PREFIX	SUFFIX	A, B, E, H, J, K, Q, U, W AND NUMERICAL SUFFIXES ARE SPECIALTY BEARINGS WITH NON-STANDARD DIMENSIONS AND FEATURES
MG-		Mast guide bearing.
MS-		Medium series, inch type.
	-MS	Stamped metal flange.
	-MSA	Metal stamping combined with relubricatable flange.
	-MST	Metal stamping two hole flange.
	-MSTR	Metal stamping three hole triangular flange.
N, NH-		Variation in carrier on clutch release types.
N-		Bearing inner and outer ring narrower than standard.
	-N	Glass fiber reinforced nylon retainer.
	-N	15 degrees angle of contact with angular contact series.
NIR-		Narrow inner ring.
NOR-		Narrow outer ring.
NPC-		Narrow adapter bearing, precision ground, with cylindrical O.D. and eccentric locking collar.
NPS-		Narrow adapter bearing, with spherical O.D. and eccentric locking collar.
O-		Variation in carrier on clutch release types.
P-		Idler pulley.
P-		Precision ground.
P, PE-		Variation in carrier on clutch release types.
	-P	Prelubricated.
PA-		Idler pulley – attachment type.
PG-		Idler pulley – general purpose.
PHV-		Cast iron pillow block, hex bore bearing, with wide double lip "non-removable" land-riding seals with eccentric locking collar.
PNR-		Cast iron pillow block, narrow adapter bearing, with narrow single lip "non-removable" land-riding seals with eccentric locking collar.
PR-		Plunger roller bearing.
PS-		Idler pulley – sprocket type.
PT-		Variation in carrier on clutch release types.
PV-		Idler pulley – for "VEE" belt.
PWG-		Cast iron pillow block, wide adapter bearing, with wide single lip "non-removable" land-riding seals with eccentric locking collar.
PWOL-		Ductile iron pillow block, wide adapter bearing, oil lubricated, heavy series.
PWRH-		Ductile iron pillow block, wide adapter bearing, PTFE seal, heavy series with eccentric locking collar.
PWT-		Cast iron pillow block, wide adapter bearing with wide triple lip "non-removable" land-riding seals with eccentric locking collar.
PWV-		Cast iron pillow block, wide adapter bearing, with wide double lip "non-removable" land-riding seals with eccentric locking collar.
R-		Extra light inch series.
R-		Variation in carrier on clutch release types.
	-R	Narrow single lip "non-removable" land-riding seal.

Radial Bearing Prefixes and Suffixes

PREFIX	SUFFIX	A, B, E, H, J, K, Q, U, W AND NUMERICAL SUFFIXES ARE SPECIALTY BEARINGS WITH NON-STANDARD DIMENSIONS AND FEATURES
RA, RB-	-R	Relubricatable. Adapter and pillow block types.
	-R	Wedding ring supplied with rear wheel types.
	-R	Special feature in clutch release types.
		Variation in carrier on clutch release types.
	-RH	Right hand thread.
	-RM	Relubricatable, M=non-significant.
	-RPC	Narrow single lip "non-removable" land-riding seal, prelubricated, with eccentric locking collar.
	-RP2C, RPCC	Narrow single lip "non-removable" land-riding seal, prelubricated, special I.D. with eccentric locking collar.
	-RS	High center-line on pillow block types.
RW- RWC, RWF, RWP-	-RUAN	Narrow single lip "non-removable" land-riding seal and double lip "non-removable" land-riding seal, special bearing dimensions.
		Rear wheel bearing with variation of basic design.
		Rear wheel bearing with variation of basic design.
S- S- S-		Idle pulley shell style—sprocket type.
		Variation in carrier on clutch release types.
SAFNR, SFNR-		Bearing outer ring with spherical O.D.
	-S	Steel shield on one side of bearing (with max-type bearings, shield opposite loading slot).
SATNR, STNR-	-S	Idle pulley-soft shell.
		Four-bolt cast iron flange, narrow adapter bearing with narrow single lip seal. Set screw inner ring.
SNPS- SPB- SPNR-		Two-bolt cast iron flange, narrow adapter bearing with narrow single lip seal. Set screw inner ring.
	-SC	Stoned corner on mounting washer. Carrier is supplied with bearing. Clutch release types.
	-SL	Snap ring groove on side of bearing opposite shield. Snap ring supplied.
	-SLA	Snap ring groove on same side of bearing as shield. Snap ring not supplied.
	-SLB	Snap ring groove on side of bearing opposite shield. Snap ring supplied. Shield mounted on O.D. of inner ring.
	-SLO	Snap ring groove on side of bearing opposite shield. Snap ring not supplied.
	-SLV	Snap ring groove on same side of bearing as shield. Snap ring supplied.
	-SLVB	Snap ring groove on side of bearing opposite shield. Snap ring supplied. Shield mounted on O.D. of inner ring.
SWPS- S2L- 6L-		Set screw inner ring, narrow adapter, precision ground with spherical O.D.
	-SV	Stamped steel pillow block.
		Set screw inner ring, cast iron pillow block, narrow adapter bearing with narrow single lip seal.
		Steel shield on opposite side from standard.
		Wide, set screw adapter bearing.
		Sprocket idler pulley, narrow width, prelubricated.
		Sprocket idler pulley, high speed series, prelubricated.

Radial Bearing Prefixes and Suffixes

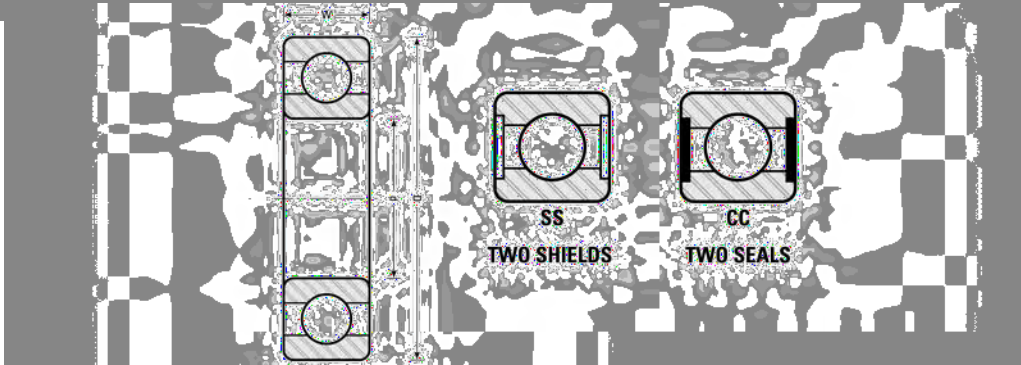
PREFIX	SUFFIX	A, B, E, H, J, K, Q, U, W AND NUMERICAL SUFFIXES ARE SPECIALTY BEARINGS WITH NON-STANDARD DIMENSIONS AND FEATURES
T-		Variation in carrier in clutch release types.
	-T	30-degree angle of contact with angular contact types.
	-T	Wide triple lip "non-removable" land-riding seal on adapter type.
	-T	Grease notch in bearing washer on clutch release types.
TA-		Variation in carrier on clutch release types.
TB-		Tine bar bearing.
	-TNJ	Extended inner ring, triple lip seal, nylon retainer.
TNR-		Two-hole cast iron flange, narrow adapter bearing, narrow single lip "non-removable" land-riding seal with eccentric locking collar.
TWG-		Two-hole cast iron flange, wide adapter bearing, with wide single lip "non-removable" land-riding seal with eccentric locking collar.
TWT-		Two-hole cast iron flange, wide adapter bearing, with triple lip "non-removable" land-riding seal with eccentric locking collar.
TWV-		Two-hole cast iron flange, wide adapter bearing, with double lip "non-removable" land-riding seal with eccentric locking collar.
V-		Idler pulley "VEE" type.
V-		Variation in carrier on clutch release types.
	-V	Wide double lip "non-removable" land-riding seal.
	-VV	High temperature seal on both sides with clutch pilot types.
VW-		Variation in carrier on clutch release types.
V2L-		"V" type idler pulley, narrow width, prelubricated.
V5L-		"V" type idler pulley, high speed series, prelubricated.
W-		Bearing inner and outer ring wider than standard.
W-		Variation in carrier on clutch release types.
	-W	Double row maximum capacity bearing with vertex of contact angles inside the bearing.
WA, WB-		Variation in carrier on clutch release types.
WC-		Wide conic type bearing.
WIR-		Wide inner ring bearing.
WOR-		Wide outer ring bearing.
WPC-		Wide inner ring bearing, cylindrical O.D. adapter bearing, with eccentric locking collar.
WPCH-		Wide inner ring bearing, cylindrical O.D. heavy series adapter bearing, with eccentric locking collar.
WPS-		Wide inner ring bearing, spherical O.D. adapter bearing, with eccentric locking collar.
WPSH-		Wide inner ring bearing, spherical O.D. heavy series adapter bearing, with eccentric locking collar.
	-WS	Double row, maximum capacity bearing with vertex of contact angles inside the bearing. Shield on side of bearing opposite loading slot.
	-WSL	Double row, maximum capacity bearing with vertex of contact angles inside the bearing. Snap ring groove on side of bearing opposite shield. Snap ring supplied.

Radial Bearing Prefixes and Suffixes

PREFIX	SUFFIX	A, B, E, H, J, K, Q, U, W AND NUMERICAL SUFFIXES ARE SPECIALTY BEARINGS WITH NON-STANDARD DIMENSIONS AND FEATURES
X, XC-	-X	Variation in carrier on clutch release types.
	-X	Class O (Standard) fit for double row bearings.
XLS-	-X	Is used to separate the basic bearing number from a numeric suffix.
		Extra light inch series.
Y-		Variation in carrier on clutch release types.
	-Y	Single lip "non-removable" molded seal.
	-1	Modification of original design.
	-2	Less internal clearance than standard.
	-3	Greater internal clearance than standard.
	-4	Greater internal clearance than class 3 loose.
	-05	Special housing, clutch release types.
	-18	Grease notch in bearing washer. Clutch release types.
	-28	Grease notch on O.D. of bearing housing. Clutch release types.
	-31	Grease fitting on O.D. of bearing housing. Clutch release types.
	-43	Grease notch in bearing washer. Clutch release types.

Ball Bearings

"Extra Light" Inch Type



"R" Series

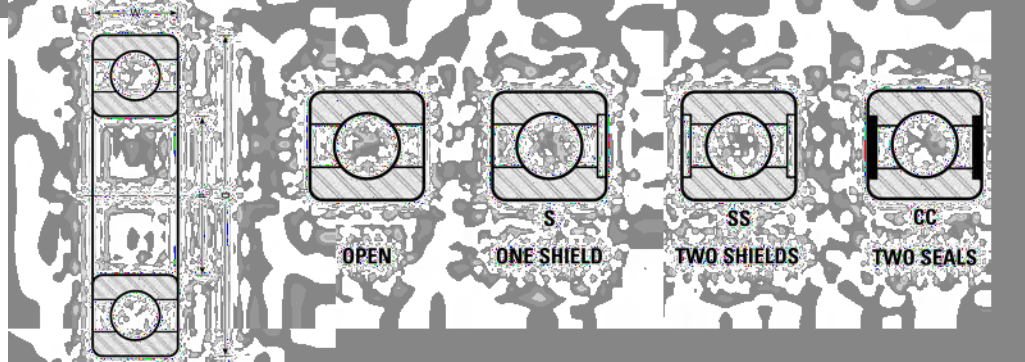
Bearing Number	Bore d		O.D. D		Width W	
	Inch	Fraction	Inch	Fraction	Inch	Fraction
R-4-CC	0.250	1/4	0.625	5/8	0.196	3/16
R-4-SS	0.250	1/4	0.625	5/8	0.196	3/16
R-6-CC	0.375	3/8	0.875	7/8	0.281	9/32
R-6-SS	0.375	3/8	0.875	7/8	0.281	9/32
R-8-CC	0.500	1/2	1.125	1 1/8	0.313	5/16
R-8-SS	0.500	1/2	1.125	1 1/8	0.313	5/16
R-10-CC	0.625	5/8	1.375	1 3/8	0.344	11/32
R-10-SS	0.625	5/8	1.375	1 3/8	0.344	11/32
R-12-SS	0.750	3/4	1.625	1 5/8	0.438	7/16
R-14-CC	0.875	7/8	1.875	1 7/8	0.500	1/2
R-14-SS	0.875	7/8	1.875	1 7/8	0.500	1/2
LS-9	0.875	7/8	2.000	2	0.563	9/16
R-16-SS	1.000	1	2.000	2	0.500	1/2
LS-10	1.000	1	2.250	2 1/4	0.625	5/8

bearing
specification:
0010110111011100110101
0010110111011100110101

TIMKEN®

Ball Bearings

"Extra Small" Metric Type

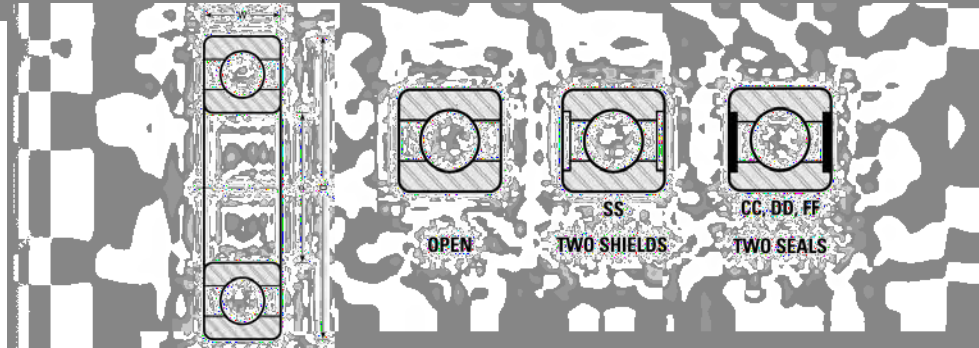


30 Series

Bearing Number	Bore d		O.D. D		Width W	
	Inch	mm	Inch	mm	Inch	mm
35-SS	0.197	5	0.748	19	0.236	6
36	0.236	6	0.748	19	0.236	6
36-S	0.236	6	0.748	19	0.236	6
36-SS	0.236	6	0.748	19	0.236	6
37-SS	0.276	7	0.866	22	0.276	7
38	0.315	8	0.866	22	0.276	7
38-CC	0.315	8	0.866	22	0.276	7
38-S	0.315	8	0.866	22	0.276	7
38-SS	0.315	8	0.866	22	0.276	7
39	0.354	9	1.024	26	0.315	8
39-SS	0.354	9	1.024	26	0.315	8

Ball Bearings

"Extra Light" Type



100 Series

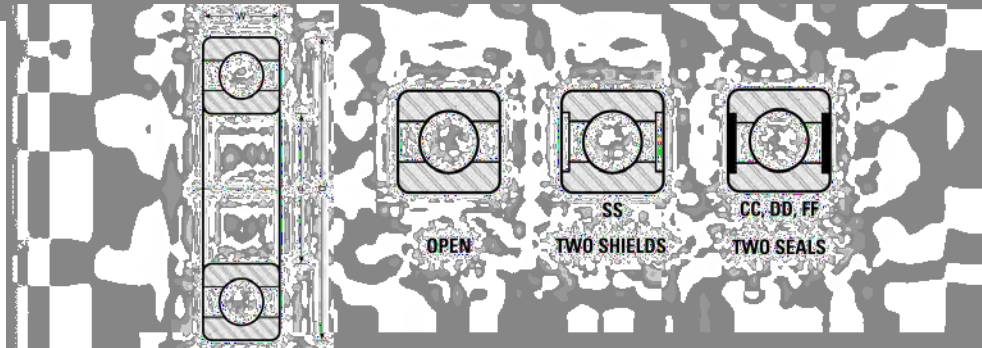
Bearing Number	Bore d		O.D. D		Width W	
	Inch	mm	Inch	mm	Inch	mm
100-CC4	0.394	10	1.024	26	0.315	8
101-SS	0.472	12	1.102	28	0.315	8
102-CC	0.591	15	1.260	32	0.354	9
102-SS	0.591	15	1.260	32	0.354	9
103-CC	0.669	17	1.378	35	0.394	10
104	0.787	20	1.654	42	0.472	12
104-CC	0.787	20	1.654	42	0.472	12
105	0.984	25	1.850	47	0.472	12
105-CC	0.984	25	1.850	47	0.472	12
106-CC	1.181	30	2.165	55	0.512	13
106-SS	1.181	30	2.165	55	0.512	13
106	1.181	30	2.165	55	0.512	13
107-DD	1.378	35	2.441	62	0.549	14
107	1.378	35	2.441	62	0.549	14
108-FFL	1.575	40	2.677	68	0.588	15
108-FFN	1.575	40	2.677	68	0.588	15
108-L	1.575	40	2.677	68	0.588	15
108	1.575	40	2.677	68	0.588	15
109-L	1.772	45	2.953	75	0.627	16
109	1.772	45	2.953	75	0.627	16

bearing
specification:
0010110111011100110101
0010110111011100110101

TIMKEN®

Ball Bearings

"Extra Light" Type - Continued



100 Series

Bearing Number	Bore d		O.D. D		Width W	
	Inch	mm	Inch	mm	Inch	mm
110	1.969	50	3.150	80	0.627	16
110-CC	1.969	50	3.150	80	0.627	16
110-L	1.969	50	3.150	80	0.627	16
110-SS	1.969	50	3.150	80	0.627	16
111-L	2.165	55	3.543	90	0.709	18
111	2.165	55	3.543	90	0.709	18
112	2.362	60	3.740	95	0.709	18
112-S	2.362	60	3.740	95	0.709	18
113-L	2.559	65	3.937	100	0.709	18
113-SS	2.559	65	3.937	100	0.709	18
113	2.559	65	3.937	100	0.709	18
114	2.756	70	4.331	110	0.787	20
115	2.953	75	4.528	115	0.787	20
115-L	2.953	75	4.528	115	0.787	20
115-SS	2.953	75	4.528	115	0.787	20
116	3.150	80	4.921	125	0.866	22
116-L	3.150	80	4.921	125	0.866	22
117-L	3.347	85	5.118	130	0.866	22
118-L	3.543	90	5.512	140	0.945	24
118-S	3.543	90	5.512	140	0.945	24
118-SL	3.543	90	6.693	140	0.945	24

Ball Bearings

"Extra Light" Type - Continued 100 Series

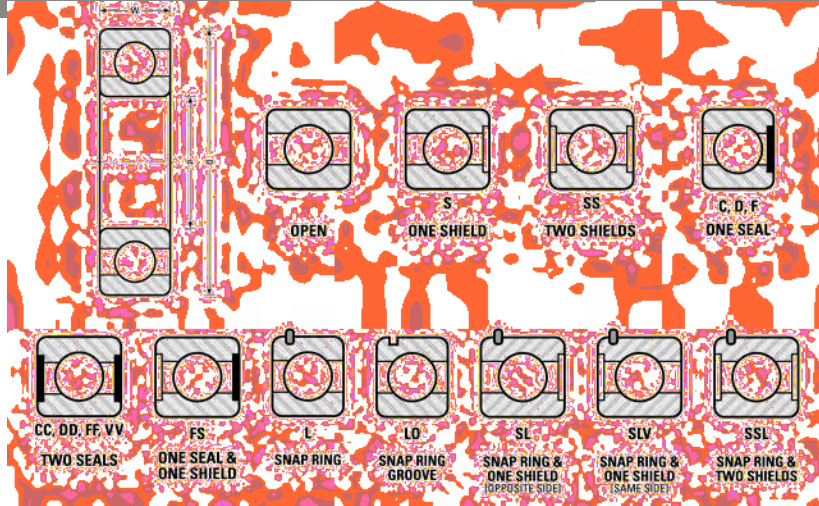
Bearing Number	Bore d		O.D. D		Width W	
	Inch	mm	Inch	mm	Inch	mm
122-L	4.331	110	6.693	170	1.102	28
122-SL	4.331	110	6.693	170	1.102	28

Ball Bearings Specialty Bearings 100 Series

Part Number	Bore d		O.D. D		Width W		Special Features Description
	Inch	mm	Inch	mm	Inch	mm	
105-SS1	0.984	25	1.850	47	0.709	18	Extended I.R. Clutch Pilot Bearing
108-A	1.102	28	2.677	68	0.709	18	Special 28mm Bore and 18mm Width
E-14	1.378	15	1.378	35	0.315	8	
108-SSA	1.437	-	2.677	68	0.591	15	Special 1.4370 Bore
111-G	2.165	55	3.543	90	0.709	18	Basic 111 with a .095 x .211 Inner Ring Notch
113-ASG	2.559	65	3.937	100	0.709	18	Basic 113 with a .095 x .211 Inner Ring Notch
124-AL	4.724	120	7.087	180	1.102	28	Angular Contact Bearing with Bronze Retainer, O-Ring on O.D.

Ball Bearings

"Light" Type



200 Series

Bearing Number	Bore d		O.D. D		Width W	
	Inch	mm	Inch	mm	Inch	mm
200	0.394	10	1.181	30	0.354	9
200-C	0.394	10	1.181	30	0.354	9
200-CC	0.394	10	1.181	30	0.354	9
200-S	0.394	10	1.181	30	0.354	9
200-SL	0.394	10	1.181	30	0.354	9
200-SS	0.394	10	1.181	30	0.354	9
201	0.472	12	1.260	32	0.394	10
201-CC	0.472	12	1.260	32	0.394	10
201-S	0.472	12	1.260	32	0.394	10
201-SS	0.472	12	1.260	32	0.394	10
202	0.591	15	1.378	35	0.433	11
202-FF	0.591	15	1.378	35	0.433	11
202-S	0.591	15	1.378	35	0.433	11
202-SS	0.591	15	1.378	35	0.433	11
203	0.669	17	1.575	40	0.472	12
203-F	0.669	17	1.575	40	0.472	12
203-FF	0.669	17	1.575	40	0.472	12
203-FS	0.669	17	1.575	40	0.472	12
203-L	0.669	17	1.575	40	0.472	12
203-S	0.669	17	1.575	40	0.472	12

Ball Bearings

"Light" Type - Continued

200 Series

Bearing Number	Bore d		O.D. D		Width W	
	Inch	mm	Inch	mm	Inch	mm
203-SS	0.669	17	1.575	40	0.472	12
203-SSL	0.669	17	1.575	40	0.472	12
204	0.787	20	1.850	47	0.551	14
204-F	0.787	20	1.850	47	0.551	14
204-FF	0.787	20	1.850	47	0.551	14
204-L	0.787	20	1.850	47	0.551	14
204-S	0.787	20	1.850	47	0.551	14
204-SL	0.787	20	1.850	47	0.551	14
204-SS	0.787	20	1.850	47	0.551	14
204-SSL	0.787	20	1.850	47	0.551	14
205	0.984	25	2.047	52	0.591	15
205-F	0.984	25	2.047	52	0.591	15
205-FF	0.984	25	2.047	52	0.591	15
205-L	0.984	25	2.047	52	0.591	15
205-S	0.984	25	2.047	52	0.591	15
205-SL	0.984	25	2.047	52	0.591	15
205-SS	0.984	25	2.047	52	0.591	15
205-SSL	0.984	25	2.047	52	0.591	15
205-VV	0.984	25	2.047	52	0.591	15
206	1.181	30	2.441	62	0.630	16
206-F	1.181	30	2.441	62	0.630	16
206-FF	1.181	30	2.441	62	0.630	16
206-L	1.181	30	2.441	62	0.630	16
206-S	1.181	30	2.441	62	0.630	16
206-SL	1.181	30	2.441	62	0.630	16
206-SS	1.181	30	2.441	62	0.630	16
206-VV	1.181	30	2.441	62	0.630	16
207	1.378	35	2.835	72	0.669	17
207-F	1.378	35	2.835	72	0.669	17
207-FF	1.378	35	2.835	72	0.669	17
207-L	1.378	35	2.835	72	0.669	17
207-LO	1.378	35	2.835	72	0.669	17
207-S	1.378	35	2.835	72	0.669	17
207-SL	1.378	35	2.835	72	0.669	17
207-SLV	1.378	35	2.835	72	0.669	17

bearing
specification:
00101101111011100110101
00101101111011100110101

TIMKEN®

Ball Bearings

"Light" Type - Continued

200 Series

Bearing Number	Bore d		O.D. D		Width W	
	Inch	mm	Inch	mm	Inch	mm
207-SS	1.378	35	2.835	72	0.669	17
207-SSL	1.378	35	2.835	72	0.669	17
208	1.575	40	3.150	80	0.709	18
208-F	1.575	40	3.150	80	0.709	18
208-FF	1.575	40	3.150	80	0.709	18
208-L	1.575	40	3.150	80	0.709	18
208-LO	1.575	40	3.150	80	0.709	18
208-S	1.575	40	3.150	80	0.709	18
208-SL	1.575	40	3.150	80	0.709	18
208-SS	1.575	40	3.150	80	0.709	18
208-SSL	1.575	40	3.150	80	0.709	18
209	1.772	45	3.347	85	0.748	19
209-D	1.772	45	3.347	85	0.748	19
209-DD	1.772	45	3.347	85	0.748	19
209-L	1.772	45	3.347	85	0.748	19
209-S	1.772	45	3.347	85	0.748	19
209-SL	1.772	45	3.347	85	0.748	19
209-SLV	1.772	45	3.347	85	0.748	19
209-SS	1.772	45	3.347	85	0.748	19
209-SSL	1.772	45	3.347	85	0.748	19
210	1.969	50	3.543	90	0.785	20
210-CC	1.969	50	3.543	90	0.787	20
210-L	1.969	50	3.543	90	0.787	20
210-S	1.969	50	3.543	90	0.787	20
210-SS	1.969	50	3.543	90	0.787	20
210-SSL	1.969	50	3.543	90	0.787	20
211	2.165	55	3.937	100	0.827	21
211-CC	2.165	55	3.937	100	0.827	21
211-L	2.165	55	3.937	100	0.827	21
211-S	2.165	55	3.937	100	0.827	21
211-SL	2.165	55	3.937	100	0.827	21
211-SS	2.165	55	3.937	100	0.827	21
211-SSL	2.165	55	3.937	100	0.827	21
212	2.362	60	4.331	110	0.866	22

Ball Bearings

"Light" Type - Continued

200 Series

Bearing Number	Bore d		O.D. D		Width W	
	Inch	mm	Inch	mm	Inch	mm
212-CC	2.362	60	4.331	110	0.866	22
212-L	2.362	60	4.331	110	0.866	22
212-S	2.362	60	4.331	110	0.866	22
212-SL	2.362	60	4.331	110	0.866	22
212-SLV	2.362	60	4.331	110	0.866	22
212-SS	2.362	60	4.331	110	0.866	22
213	2.559	65	4.724	120	0.906	23
213-L	2.559	65	4.724	120	0.906	23
213-S	2.559	65	4.724	120	0.906	23
213-SL	2.559	65	4.724	120	0.906	23
213-SLV	2.559	65	4.724	120	0.906	23
214	2.756	70	4.921	125	0.945	24
214-L	2.756	70	4.921	125	0.945	24
214-SL	2.756	70	4.921	125	0.945	24
214-SS	2.756	70	4.921	125	0.945	24
215	2.953	75	5.118	130	0.984	25
216-SL	3.150	80	5.512	140	1.024	26
217-SL	3.347	85	5.906	150	1.102	28
218	3.543	90	6.299	160	1.181	30
218-L	3.543	90	6.299	160	1.181	30

Ball Bearing Specialty Bearings 200 Series

Part Number	Bore d		O.D. D		Width W		Special Features Description
	Inch	mm	Inch	mm	Inch	mm	
203-FF5	0.460	-	1.575	40	0.472	12	Special Belt Idler Pulley Bearing
202-FFH8	0.500	-	1.529	-	0.433	11	Special 202FF with 1/2" Bore and 1.5290" Spherical O.D.
205-RRB	0.510	-	2.047	52	1.375	-	Special Bore with Wide I.R.
205-RRUN	0.510	-	2.047	52	1.500	-	Special Bore with Wide I.R.
203-RRAR8	0.515	-	1.575	40	0.720	-	Special Bore and Width
202-RRE	0.591	15	1.378	35	0.878	-	Basic 202 Double Sealed with .8780 Extended I.R. and "Y" Seals
S-202-FF	0.591	15	1.378	35	0.433	11	Basic 202FF with Spherical O.D.
202-FFB	0.625	-	1.375	-	0.500	-	Basic 202FF with 5/8" Bore, 1-3/8" O.D. 1/2" Width
202-FFLB	0.625	-	1.375	-	0.433	11	Special 5/8" Bore and 1-3/8" O.D. with Snap Ring
202-CC1	0.625	-	1.378	35	0.433	11	Basic 202FF with 5/8" Bore
204-BBE	0.626	-	1.781	-	0.610	-	Special .6260 Bore, Double Sealed
204-FGB	0.626	-	1.850	47	0.686	-	Special .6260 Bore, Wide I.R., Double Sealed
204-FRK	0.626	-	1.850	47	0.689	-	Special Wide I.R. and Internal Clearance, Double Sealed
204-TJN	0.626	-	1.850	47	1.125	-	Special Disc Bearing with one Triple Lip Seal
205-RANA	0.626	-	2.047	52	0.828	-	205RRAN with 5/8" Bore
205-RVBA	0.626	-	2.047	52	0.703	-	Special Bore with Wide I.R. Double Lip "V" Seal on One Side.
204-FVMN	0.628	-	1.781	-	0.733	-	Special Bore, O.D. and Width, Nylon Retainer
202-CC16	0.630	16	1.378	35	0.433	11	Basic 202FF with 16mm Bore
8980-DD	0.630	16	1.575	40	0.472	12	Special AG Bearing
205-VVH	0.631	-	2.090	-	1.375	-	Special Bore and I.D. with Two Double Lip "V" Seals & Snap Ring Groove
204-FREN	0.632	-	1.781	-	0.733	-	Special 204 with Wide I.R., Double Sealed
203-RRAR10	0.635	-	1.575	40	0.720	-	Special Bore and Width
203-RRH10	0.635	-	1.850	47	0.720	-	Special Bore, O.D. and Width
203-RRAR10N2	0.640	-	1.575	40	0.720	-	Special Bore and Width with Class 2 Internal Clearance

Ball Bearing

Specialty Bearings - Continued 200 Series

Part Number	Bore d		O.D. D		Width W		Special Features Description
	Inch	mm	Inch	mm	Inch	mm	
S-203-FF	0.669	17	1.575	40	0.472	12	Basic 203FF with Spherical O.D.
CB-205-GGRA	0.700	-	2.265	-	1.500	-	Special Hex Bore Conveyor Bearing with Single Lip Seal
203-RR12	0.750	-	1.575	40	0.472	12	Basic 203FF with 3/4" Bore
203-FFA	0.750	-	1.750	-	0.500	-	Basic 203FF with Inch Dimensions
204-BBA4	0.750	-	1.781	-	0.610	-	Special 3/4" Bore with Seal on One Side
204-BBAR	0.750	-	1.781	-	0.610	-	Special 3/4" Bore, Double Sealed with Special Seal
204-GGB	0.750	-	1.850	47	1.344	-	Special Self Aligning Adapter Bearing
204-TTM	0.750	-	1.850	47	1.203	-	Special Bearing with 2-Set Screws, Double Sealed
205-RHN	0.750	-	2.047	52	0.700	-	Special 3/4" Bore "R" Type Seal
205-RRAN	0.750	-	2.047	52	0.828	-	Special 3/4" Bore with Extended I.R.
204-BAR	0.751	-	1.781	-	0.610	-	Basic 204AR with Seal on One Side
205-RVA	0.751	-	2.047	52	0.828	-	Special Bore with Wide I.R. Double Lip "V" Seal on One Side.
205-TNJ	0.751	-	2.047	52	0.979	-	Special Bore with Wide I.R., Triple Lip Seal on One Side
205-TNK	0.751	-	2.047	52	0.773	-	Special Bore with Wide I.R., Triple Lip Seal on One Side
205-TTB	0.751	-	2.047	52	1.375	-	Special Bore with Wide I.R., Two Triple Lip Seals
205-VVA	0.751	-	2.500	-	1.062	-	Special Bore and O.D. with Two Double Lip "V" Seals
206-GGH	0.756	-	2.441	62	0.945	24	Special .7560 Bore with Two Single Lip Seals
206-RRMN	0.758	-	2.441	62	0.945	24	Special .7580 Bore and Two Single Lip Seals
S-204-FF	0.787	20	1.850	47	0.551	14	Basic 204FF with Spherical O.D.
205-NM	0.875	-	2.047	52	0.591	15	Basic 205 with 7/8" Bore
205-TTH	0.938	-	2.047	52	1.375	-	Special Bore with Wide I.R., Two Triple Lip Seals
S-205-FF	0.984	25	2.047	52	0.591	15	Basic 205FF with Spherical O.D.
206-RTQ	0.990	-	2.441	62	0.875	-	Special Bore and Width with One Single Lip Seal and Triple Lip Seal

Ball Bearing

Specialty Bearings - Continued

200 Series

Part Number	Bore d		O.D. D		Width W		Special Features Description
	Inch	mm	Inch	mm	Inch	mm	
206-TTA	1.010	-	2.441	62	0.945	24	Special 1.0100 Bore with Wide I.R. and Spherical O.D., Two Triple Lip Seals
206-TTU	1.010	-	2.441	62	0.945	24	Basic 206TTA, with Relube feature
CB-207-GGRA	1.085	-	3.073	-	1.688	-	Special Relubricatable Hex Bore Conveyor Brg with Two Single Lip Seals
206-FFA	1.125	-	2.441	62	0.630	16	Basic 206FF with 1-1/8" Bore
206-GGB	1.126	-	2.441	62	0.945	24	Special Bore with Wide I.R. and Spherical O.D. Two Single Lip Seals
206-GGCE	1.126	-	2.677	68	0.945	24	Basic 206GGB with 2.6772" O.D. Steel Tire
206-LOE	1.165	-	2.441	62	0.630	16	Basic 206LO with 1.1645" Bore
S-206-FF	1.181	30	2.441	62	0.630	16	Basic 206FF with Spherical O.D.
P-3106-XDC	1.187	-	3.150	-	0.827	-	Basic Bearing with Locking Collar
206-1	1.231	-	2.441	62	0.630	16	Basic 206 with 1.2305" Bore
206-L1	1.231	-	2.441	62	0.630	16	Basic 206L with 1.2305" Bore
207-SLB	1.378	35	2.835	72	0.669	17	Basic 207SL with Flinger Style Shield
207-XLO	1.378	35	2.835	72	0.669	17	Basic 207LO with Special Bore Corner .025x45 degrees
N-207-X3	1.378	35	2.835	72	0.529	-	Basic 207 with Special .5288" Width
S-207-FF	1.378	35	2.835	72	0.669	17	Basic 207FF with Spherical O.D.
P-3112-XDC	1.437	-	3.937	-	1.609	-	Basic Bearing with Locking Collar
S-208-FF	1.575	40	3.150	80	0.709	18	Basic 208FF with Spherical O.D.
S-209-FF	1.772	45	3.347	85	0.748	19	Basic 209FF with Spherical O.D.
211-B	2.165	55	3.937	100	0.827	21	Basic 211 with Solid Rings
211-FFLE	2.165	55	3.937	100	0.827	21	Basic 211FFL with Special 4-3/32" O.D. Snap Ring
212-ASLB	2.362	60	4.331	110	0.866	22	Basic 212SL with Special Beveled Snap Ring 4.459" O.D.
214-LB	2.500	-	4.921	125	0.945	24	Basic 214L with 2-1/2" Bore

Ball Bearing

Specialty Bearings - Continued 200 Series

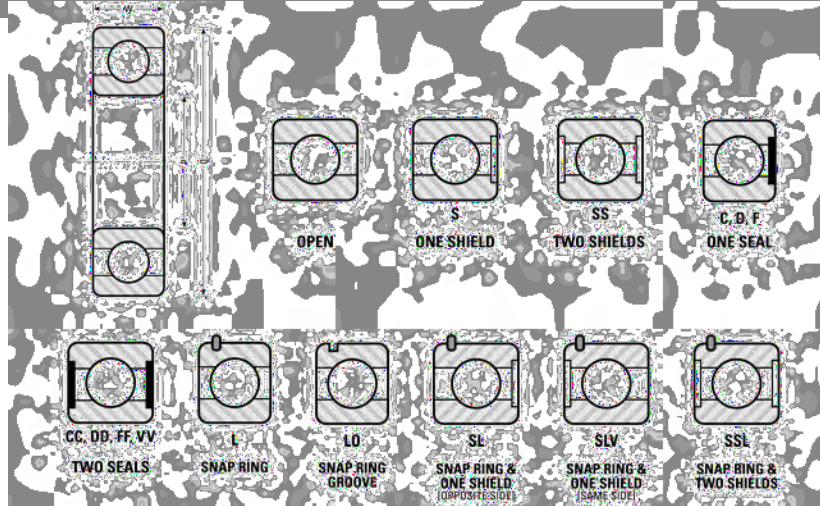
Part Number	Bore d		O.D. D		Width W		Special Features Description
	Inch	mm	Inch	mm	Inch	mm	
214-LH	2.756	70	4.921	125	0.945	24	Basic 214L with Solid Rings
217-SLE	3.347	85	5.906	150	1.102	28	Basic 217SL with Special Angled Snap Ring

bearing
specification:
001011011101100110101
001011011101100110101

TIMKEN®

Ball Bearings

"Medium" Type



300 Series

Bearing Number	Bore d		O.D. D		Width W	
	Inch	mm	Inch	mm	Inch	mm
301-SS	0.472	12	1.457	37	0.472	12
302	0.591	15	1.654	42	0.512	13
302-CC	0.591	15	1.654	42	0.512	13
302-S	0.591	15	1.654	42	0.512	13
302-SS	0.591	15	1.654	42	0.512	13
303	0.669	17	1.850	47	0.551	14
303-CC	0.669	17	1.850	47	0.551	14
303-S	0.669	17	1.850	47	0.551	14
303-SS	0.669	17	1.850	47	0.551	14
304	0.787	20	2.047	52	0.591	15
304-D	0.787	20	2.047	52	0.591	15
304-DD	0.787	20	2.047	52	0.591	15
304-L	0.787	20	2.047	52	0.591	15
304-S	0.787	20	2.047	52	0.591	15
304-SL	0.787	20	2.047	52	0.591	15
304-SS	0.787	20	2.047	52	0.591	15
304-SSL	0.787	20	2.047	52	0.591	15
305	0.984	25	2.441	62	0.669	17
305-D	0.984	25	2.441	62	0.669	17
305-DD	0.984	25	2.441	62	0.669	17

Ball Bearings

"Medium" Type - Continued 300 Series

Bearing Number	Bore d		O.D. D		Width W	
	Inch	mm	Inch	mm	Inch	mm
305-L	0.984	25	2.441	62	0.669	17
305-S	0.984	25	2.441	62	0.669	17
305-SL	0.984	25	2.441	62	0.669	17
305-SLV	0.984	25	2.441	62	0.669	17
305-SS	0.984	25	2.441	62	0.669	17
305-SSL	0.984	25	2.441	62	0.669	17
306	1.181	30	2.835	72	0.748	19
306-F	1.181	30	2.835	72	0.748	19
306-FF	1.181	30	2.835	72	0.748	19
306-L	1.181	30	2.835	72	0.748	19
306-LO	1.181	30	2.835	72	0.748	19
306-S	1.181	30	2.835	72	0.748	19
306-SL	1.181	30	2.835	72	0.748	19
306-SLV	1.181	30	2.835	72	0.748	19
306-SS	1.181	30	2.835	72	0.748	19
306-SSL	1.181	30	2.835	72	0.748	19
306-VV	1.181	30	2.835	72	0.748	19
306-VVL	1.181	30	2.835	72	0.748	19
307	1.378	35	3.150	80	0.827	21
307-F	1.378	35	3.150	80	0.827	21
307-FF	1.378	35	3.150	80	0.827	21
307-L	1.378	35	3.150	80	0.827	21
307-S	1.378	35	3.150	80	0.827	21
307-SL	1.378	35	3.150	80	0.827	21
307-SS	1.378	35	3.150	80	0.827	21
307-SSL	1.378	35	3.150	80	0.827	21
308	1.575	40	3.543	90	0.906	23
308-FF	1.575	40	3.543	90	0.906	23
308-L	1.575	40	3.543	90	0.906	23
308-S	1.575	40	3.543	90	0.906	23
308-SL	1.575	40	3.543	90	0.906	23
308-SS	1.575	40	3.543	90	0.906	23
308-SSL	1.575	40	3.543	90	0.906	23
309	1.772	45	3.937	100	0.984	25
309-DD	1.772	45	3.937	100	0.984	25

bearing
specification:
0010110111011100110101
0010110111011100110101

TIMKEN®

Ball Bearings

"Medium" Type - Continued 300 Series

Bearing Number	Bore d		O.D. D		Width W	
	Inch	mm	Inch	mm	Inch	mm
309-L	1.772	45	3.937	100	0.984	25
309-S	1.772	45	3.937	100	0.984	25
309-SL	1.772	45	3.937	100	0.984	25
309-SS	1.772	45	3.937	100	0.984	25
310	1.969	50	4.331	110	1.063	27
310-L	1.969	50	4.331	110	1.063	27
310-S	1.969	50	4.331	110	1.063	27
310-SL	1.969	50	4.331	110	1.063	27
310-SS	1.969	50	4.331	110	1.063	27
311	2.165	55	4.724	120	1.142	29
311-L	2.165	55	4.724	120	1.142	29
311-SL	2.165	55	4.724	120	1.142	29
311-SS	2.165	55	4.724	120	1.142	29
312	2.362	60	5.118	130	1.221	31
312-L	2.362	60	5.118	130	1.221	31
312-SS	2.362	60	5.118	130	1.221	31
313	2.559	65	5.512	140	1.299	33
313-SS	2.559	65	5.512	140	1.299	33
314	2.756	70	5.906	150	1.378	35
314-SL	2.756	70	5.906	150	1.378	35
315	2.953	75	6.299	160	1.457	37

Ball Bearings

Specialty Bearings

300 Series

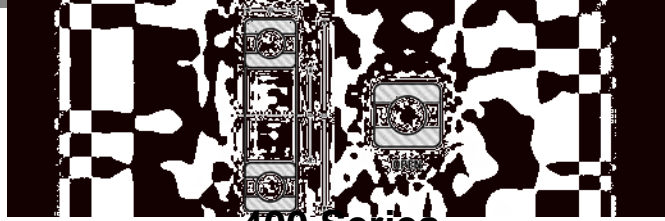
Bearing Number	Bore d		O.D. D		Width W		Special Features Description
	Inch	mm	Inch	mm	Inch	mm	
S-305-FF	0.984	25	2.441	62	0.669	17	Basic 305FF with Spherical O.D.
305-65	0.984	25	2.559	65	0.669	17	Basic 305 with 2.5591" O.D. and .080" Corners
306-VVH	0.984	25	2.835	72	0.748	19	Basic 306VV with .9843" Bore
306-FFLE	1.181	30	2.835	72	0.748	19	Basic 206FFL with Special Grease. Molykote 44, C5 Internal Clearance
306-SLVB	1.181	30	2.835	72	0.748	19	I.R. Mounted Shield
307-XD	1.187	-	3.150	80	0.827	21	Basic 307D with 1.1870" Bore
307-L1	1.378	35	3.150	80	0.827	21	Basic 307L with 3-11/32" O.D. Snap Ring
307-LO1	1.378	35	3.150	80	0.827	21	Basic 307LO with .040" Bore Corners, .117" Wide Snap Ring Groove
N-307-LOE	1.378	35	3.150	80	0.669	17	Basic 307LO with Offset Races and .6693" Width
308-LOE	1.378	35	3.543	90	0.787	20	Special Bore and Width
309-XD	1.437	-	3.937	100	0.984	25	Special Bore and One Seal
308-LH	1.575	40	3.543	90	0.906	23	Basic 308L with Special Snap Ring 4.14" O.D.
308-L1	1.575	40	3.543	90	0.787	20	Basic 308L with Special 3-23/32" O.D. Snap Ring, .030" Bore Corners
308-L4	1.575	40	3.543	90	0.906	23	.100" Bore Corners
N-308-LOB	1.575	40	3.543	90	0.787	20	Basic 308LO with .7874" Width and High I.R. Shoulders
N-309-L	1.772	45	3.937	100	0.827	21	Basic 309L with .8268" Width
310-B	1.969	50	4.331	110	1.063	27	Basic 310 with .220" Bore Corners
N-310-L	1.969	50	4.331	110	0.906	23	Basic 310L with .9055" Width
312-LE	2.362	60	5.118	130	1.221	31	Basic 312L with Beveled Snap Ring
312-L1	2.362	60	5.118	130	1.221	31	Basic 312L with High Bore Shoulders
313-A	2.362	60	5.512	140	1.299	33	Basic 313 with 60mm Bore
M-303	4.331	110	6.000	-	0.750	-	Special Dimensions, Single Shield

bearing
specification:
0010110111101100110101
0010110111101100110101

TIMKEN®

Ball Bearings

"Heavy" Type

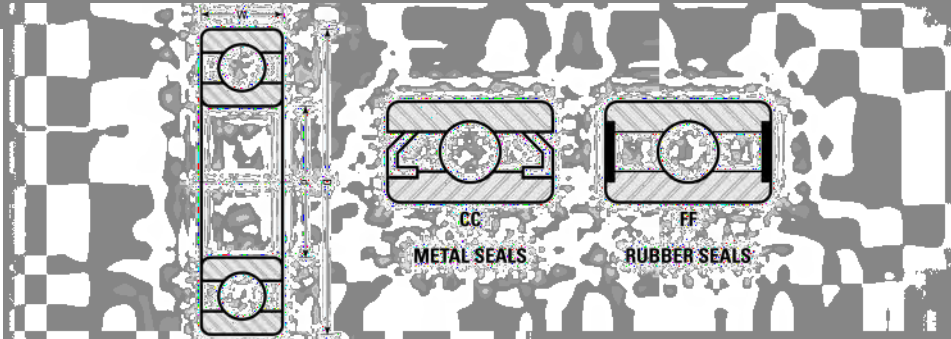


400 Series

Bearing Number	Bore d		O.D. D		Width W	
	Inch	mm	Inch	mm	Inch	mm
405	0.984	25	3.150	80	0.827	21
406	1.181	30	3.543	90	0.906	23
408	1.578	40	4.331	110	1.063	27
409	1.772	45	4.724	120	1.142	29
410	1.969	50	5.118	130	1.221	31

Ball Bearings

"Light" Cartridge Type



W200 Series

Bearing Number	Bore d		O.D. D		Width W	
	Inch	mm	Inch	mm	Inch	Fraction
W-204-CC	0.787	20	1.850	47	0.813	13/16
W-205-CC	0.984	25	2.047	52	0.813	13/16
W-206-FF	1.181	30	2.441	62	0.938	15/16
W-207-CC	1.378	35	2.835	72	1.063	1-1/16
W-208-CC	1.575	40	3.150	80	1.188	1-3/16
W-209-CC	1.772	45	3.347	85	1.188	1-3/16

Ball Bearings

"Medium" Cartridge Type

W300 Series

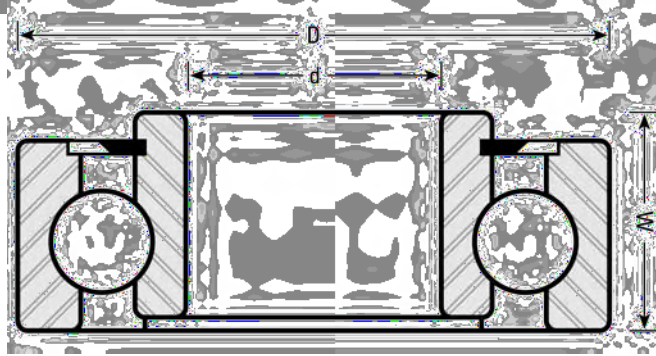
Bearing Number	Bore d		O.D. D		Width W	
	Inch	mm	Inch	mm	Inch	Fraction
W-304-CC	0.787	20	2.047	52	0.875	7/8
W-305-CC	0.984	25	2.441	62	1.000	1
W-306-FF	1.188	30	2.835	72	1.188	1 3/16
W-307-CC	1.378	35	3.150	80	1.375	1 3/8
W-309-CC	1.772	45	3.937	100	1.563	1 9/16

bearing
specification:
0010110111101100110101
0010110111101100110101

TIMKEN®

Ball Bearings

Non Loading Groove Type

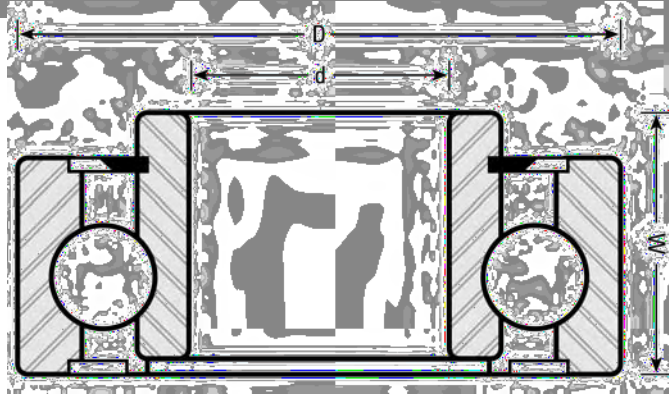


8000 Series

Bearing Number	Bore d		O.D. D		Width W	
	Inch	mm	Inch	mm	Inch	mm
8500	0.394	10	1.181	30	0.480	-
8013	0.512	13	1.260	32	0.480	-
8502	0.591	15	1.378	35	0.480	-
8016	0.630	16	1.378	35	0.480	-
8503	0.669	17	1.575	40	0.538	-
8603	0.669	17	1.850	47	0.591	-
8504	0.787	20	1.850	47	0.600	-
8604	0.787	20	2.047	52	0.709	-
8505	0.984	25	2.047	52	0.600	-
8605	0.984	25	2.441	62	0.827	-
8026	1.024	26	2.047	52	0.600	-
8506	1.181	30	2.441	62	0.747	-
8507	1.378	35	2.835	72	0.787	-

Ball Bearings

Non Loading Groove Type

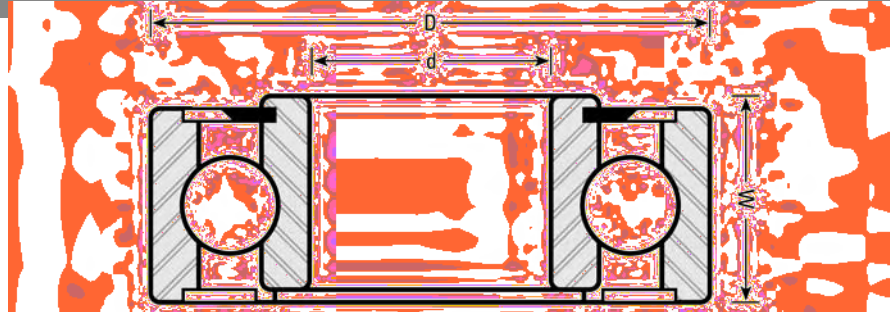


87000 Series

Bearing Number	Bore d		O.D. D		Width W	
	Inch	mm	Inch	mm	Inch	mm
87008	0.315	8	0.945	24	.386	-
87500	0.394	10	1.181	30	.480	-
87013	0.512	13	1.260	32	.480	-
87502	0.591	15	1.378	35	.480	-
87016	0.630	16	1.378	35	.480	-
87503	0.669	17	1.575	40	.538	-
87504	0.787	20	1.850	47	.600	-
87505	0.984	25	2.047	52	.600	-
87605	0.984	25	2.441	62	.827	-
87506	1.181	30	2.441	62	.747	-
87507	1.378	35	2.835	72	.787	20

Ball Bearings

Non Loading Groove Type



"WC" 80000 Series

Bearing Number	Bore d		O.D. D		Width W	
	Inch	mm	Inch	mm	Inch	mm
WC-87500	.394	10	1.181	30	.500	-
WC-87502	.591	15	1.378	35	.500	-
WC-87503	.669	17	1.575	40	.563	-
WC-88503	.669	17	1.575	40	.654	-
WC-87504	.787	20	1.850	47	.625	-
WC-87505	.984	25	2.047	52	.625	-

Ball Bearing

Specialty Bearings

"8000 & 87000" Series

Part Number	Bore d		O.D. D		Width W		Special Features Description
	Inch	mm	Inch	mm	Inch	mm	
87503-A	.669	17	1.575	40	.551	14	Basic 87503 with .5512" Inner Width, Double Lip Seal on Extended Side
8537	.787	20	1.500	38	.311	-	Separable Ball Bearing

Ball Bearings

Non Loading Groove Type



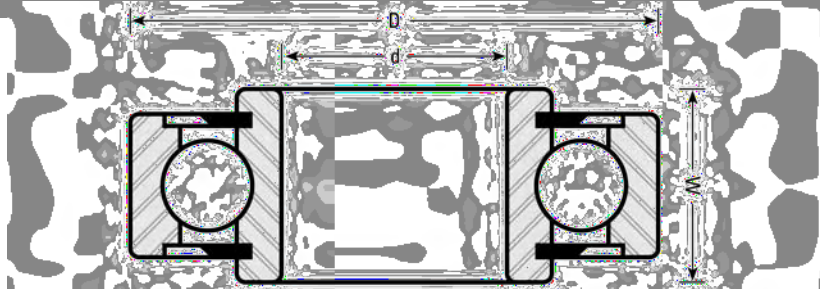
88000 Series

Bearing Number	Bore d		O.D. D		Width W	
	Inch	mm	Inch	mm	Inch	mm
88500	.394	10	1.181	30	.646	-
88501	.472	12	1.260	32	.606	-
88013	.512	13	1.260	32	.606	-
88502	.591	15	1.378	35	.557	-
88016	.630	16	1.378	35	.567	-
88503	.669	17	1.575	40	.654	-
88504	.787	20	1.850	47	.699	-
88505	.984	25	2.047	52	.659	-
88605	.984	25	2.441	62	.982	-
88026	1.024	26	2.047	52	.659	-
88506	1.181	30	2.441	62	.945	24
88107	1.378	35	2.835	72	.984	25
88508	1.575	40	3.150	80	1.063	27
88509	1.772	45	3.347	85	1.063	27

bearing
specification:
001011011101100110101
001011011101100110101

Ball Bearings

No Load Groove Type

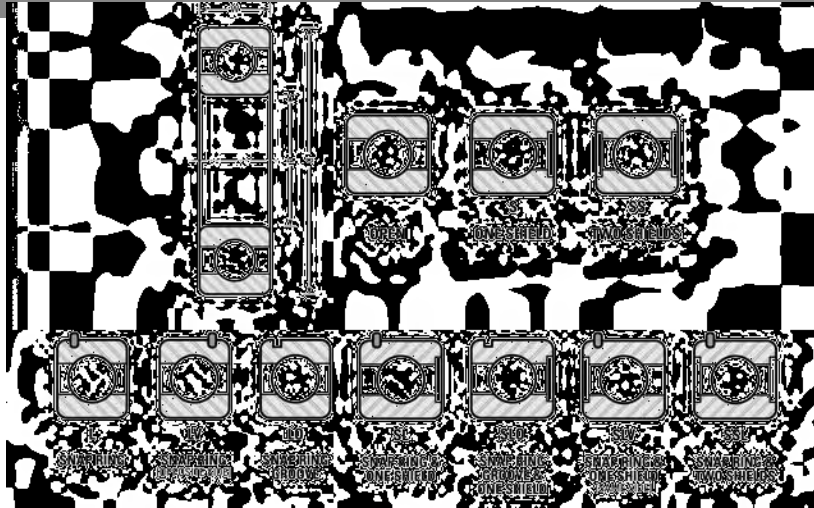


88000 Series - Specialty Bearings

Bearing Number	Bore d		O.D. D		Width W		Special Features Description
	Inch	mm	Inch	mm	Inch	mm	
88502-A	.551	14	1.378	35	.567	-	Basic 88502 with .5512" Bore and .035" Bore Corners
88107-BGG	1.253	-	2.835	72	.984	25	Basic 88107 with 1.2525" Bore and Single Lip Seal
88107-BVV	1.378	35	2.835	72	.984	25	Basic 88107 with Wide Double Lip "non-removable" Seal
88128-GG	1.531	-	3.150	80	1.083	-	Basic 88128A with Two Single Lip Seals

Ball Bearings

Maximum Capacity or Filling Slot Type



1200 Series

Bearing Number	Bore d		O.D. D		Width W	
	Inch	mm	Inch	mm	Inch	mm
1208-S						
1205	.984	25	2.047	52	.591	15
1205-SS	.984	25	2.047	52	.591	15
1206	1.181	30	2.441	62	.630	16
1206-L	1.181	30	2.441	62	.630	16
1206-SL	1.181	30	2.441	62	.630	16
1206-SS	1.181	30	2.441	62	.630	16
1207-L	1.378	35	2.835	72	.669	17
1207-S	1.378	35	2.835	72	.669	17
1207-SL	1.378	35	2.835	72	.669	17
1207-SS	1.378	35	2.835	72	.669	17
1207-SSL	1.378	35	2.835	72	.669	17
1207	1.378	35	2.835	72	.669	17
1208-A	1.575	40	3.150	80	.709	18
1208-L	1.575	40	3.150	80	.709	18
1208-SL	1.575	40	3.150	80	.709	18
1208-SS	1.575	40	3.150	80	.709	18
1208-SSL	1.575	40	3.150	80	.709	18
1209-A	1.772	45	3.347	85	.748	19

bearing
specification:
0010110111011100110101
0010110111011100110101

TIMKEN®

Ball Bearings

Maximum Capacity or Filling Slot Type - Continued 1200 Series

Bearing Number	Bore d		O.D. D		Width W	
	Inch	mm	Inch	mm	Inch	mm
1209-L	1.772	45	3.347	85	.748	19
1209-S	1.772	45	3.347	85	.748	19
1209-SL	1.772	45	3.347	85	.748	19
1209-SS	1.772	45	3.347	85	.748	19
1210-L	1.969	50	3.543	90	.787	20
1210-S	1.969	50	3.543	90	.787	20
1210-SL	1.969	50	3.543	90	.787	20
1210-SS	1.969	50	3.543	90	.787	20
1210-X3	1.969	50	3.543	90	.787	20
1211	2.165	55	3.937	100	.827	21
1211-L	2.165	55	3.937	100	.827	21
1211-S	2.165	55	3.937	100	.827	21
1211-SL	2.165	55	3.937	100	.827	21
1211-SS	2.165	55	3.937	100	.827	21
1211-SSL	2.165	55	3.937	100	.827	21
1212	2.362	60	4.331	110	.866	22
1212-L	2.362	60	4.331	110	.866	22
1212-S	2.362	60	4.331	110	.866	22
1212-SL	2.362	60	4.331	110	.866	22
1212-SLV	2.362	60	4.331	110	.866	22
1212-SS	2.362	60	4.331	110	.866	22
1213-A	2.559	65	4.724	120	.906	23
1213-L	2.559	65	4.724	120	.906	23
1213-SL	2.559	65	4.724	120	.906	23
1213-SLV	2.559	65	4.724	120	.906	23
1214	2.756	70	4.921	125	.945	24
1214-S	2.756	70	4.921	125	.945	24
1214-SL	2.756	70	4.921	125	.945	24
1215	2.953	75	5.118	130	.984	25
1216-A	3.150	80	5.512	140	1.024	26
1216-L	3.150	80	5.512	140	1.024	26
1216-SL	3.150	80	5.512	140	1.024	26

Ball Bearings

Maximum Capacity or Filling Slot Type - Continued 1200 Series

Bearing Number	Bore d		O.D. D		Width W	
	Inch	mm	Inch	mm	Inch	mm
1218-L	3.543	90	6.299	160	1.181	30
1218-S	3.543	90	6.299	160	1.181	30
1224-XM	4.724	120	8.465	215	1.575	40

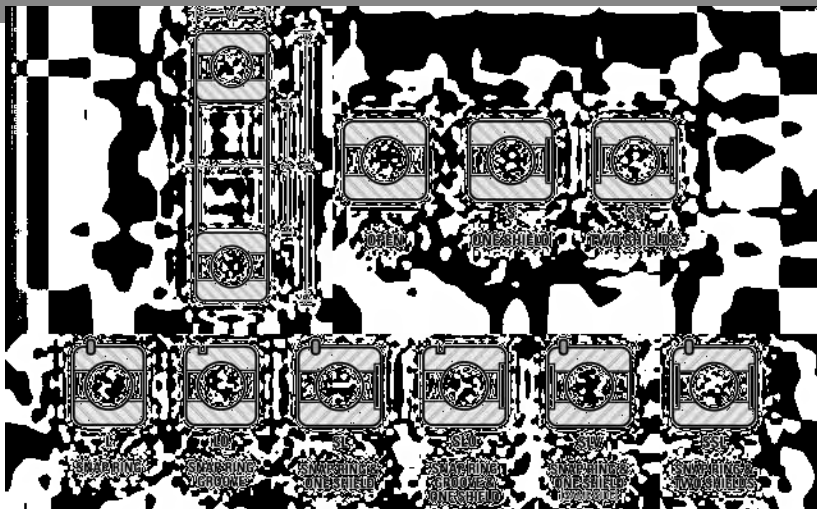
Ball Bearings

Specialty Bearings 1200 Series

Part Number	Bore d		O.D. D		Width W		Special Features
	Inch	mm	Inch	mm	Inche	mm	
1207-LOE	1.181	30	3.150	80	0.669	17	Special 30mm Bore and 80mm O.D.
N-1211-L	2.165	55	3.937	100	0.680	-	Basic 1211-L with 4-3/32" Snap Ring O.D.

Ball Bearings

Maximum Capacity or Filling Slot Type

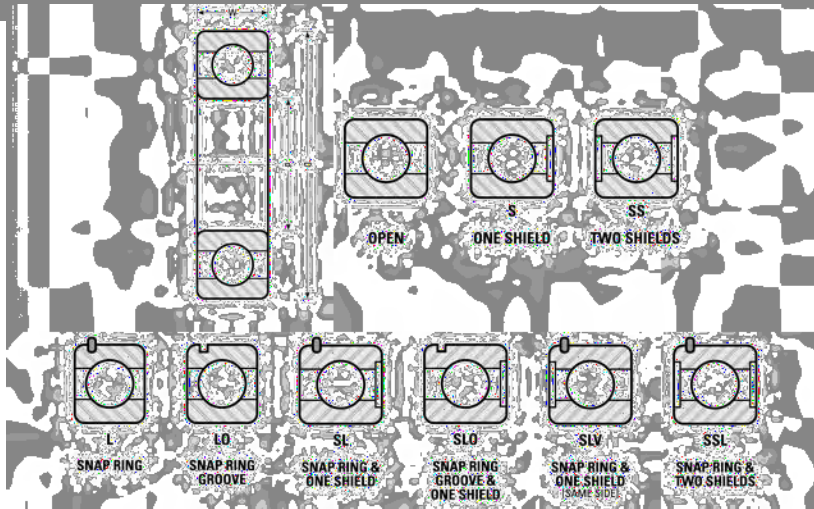


1300 "Medium" Series

Bearing Number	Bore d		O.D. D		Width W	
	Inch	mm	Inch	mm	Inch	mm
1304	0.787	20	2.047	52	.591	15
1304-SS	0.787	20	2.047	52	.591	15
1305	0.984	25	2.441	62	.669	17
1305-S	0.984	25	2.441	62	.669	17
1305-SL	0.984	25	2.441	62	.669	17
1305-SS	0.984	25	2.441	62	.669	17
1306-L	1.181	30	2.835	72	.748	19
1306-S	1.181	30	2.835	72	.748	19
1306-SS	1.181	30	2.835	72	.748	19
1306-SSL	1.181	30	2.835	72	.748	19
1306	1.181	30	2.835	72	.748	19
1307	1.378	35	3.150	80	.827	21
1307-L	1.378	35	3.150	80	.827	21
1307-S	1.378	35	3.150	80	.827	21
1307-SL	1.378	35	3.150	80	.827	21
1307-SS	1.378	35	3.150	80	.827	21
1308	1.575	40	3.543	90	.906	23
1308-L	1.575	40	3.543	90	.906	23
1308-S	1.575	40	3.543	90	.906	23
1308-SL	1.575	40	3.543	90	.906	23

Ball Bearings

Maximum Capacity or Filling Slot Type - Continued

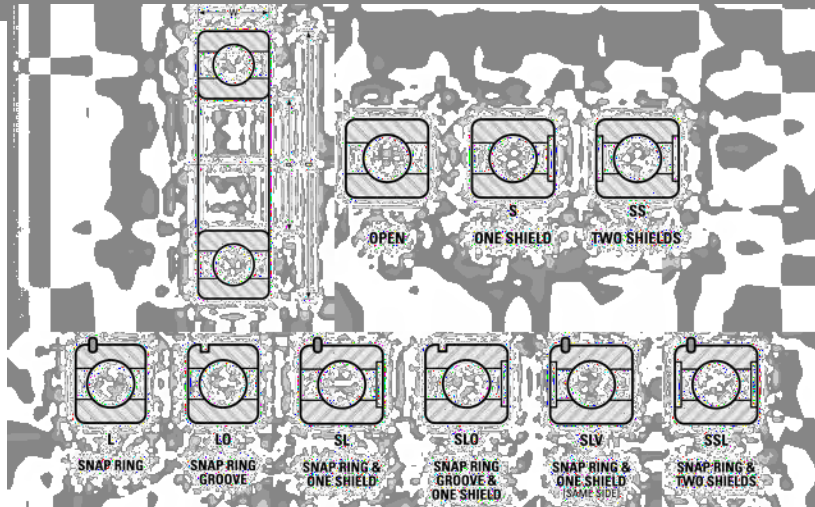


1300 "Medium" Series

Bearing Number	Bore d		O.D. D		Width W	
	Inch	mm	Inch	mm	Inch	mm
1308-SS	1.575	40	3.543	90	.906	23
1309	1.772	45	3.937	100	.984	25
1309-L	1.772	45	3.937	100	.984	25
1309-S	1.772	45	3.937	100	.984	25
1309-SS	1.772	45	3.937	100	.984	25
1310	1.969	50	4.331	110	1.063	27
1310-L	1.969	50	4.331	110	1.063	27
1310-SL	1.969	50	4.331	110	1.063	27
1310-SS	1.969	50	4.331	110	1.063	27
1310-SVL	1.969	50	4.331	110	1.063	27
1311	2.165	55	4.724	120	1.142	29
1311-L	2.165	55	4.724	120	1.142	29
1311-S	2.165	55	4.724	120	1.142	29
1311-SL	2.165	55	4.724	120	1.142	29
1312	2.362	60	5.118	130	1.221	31
1312-L	2.362	60	5.118	130	1.221	31
1312-SL	2.362	60	5.118	130	1.221	31
1312-SV	2.362	60	5.118	130	1.221	31
1313	2.559	65	5.512	140	1.299	33

Ball Bearings

Maximum Capacity or Filling Slot Type - Continued



1300 "Medium" Series

Bearing Number	Bore d		O.D. D		Width W	
	Inch	mm	Inch	mm	Inch	mm
1313-L	2.559	65	5.512	140	1.299	33
1313-SL	2.559	65	5.512	140	1.299	33
1313-SLV	2.559	65	5.512	140	1.299	33
1313-SS	2.559	65	5.512	140	1.299	33
1314	2.756	70	5.906	150	1.378	35
1314-SL	2.756	70	5.906	150	1.378	35
1315	2.953	75	6.299	160	1.457	37

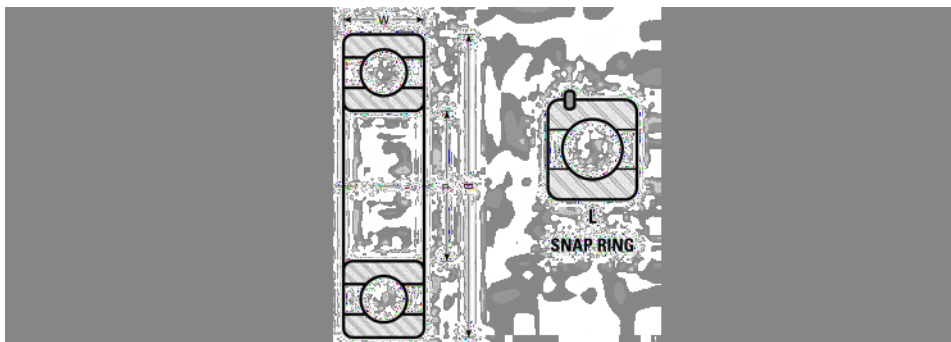
Ball Bearings

Specialty Bearings 1300 Series

Bearing Number	Bore d		O.D. D		Width W		
	Inch	mm	Inch	mm	Inch	mm	
1306-SLVB	1.181	30	2.835	72	.748	-	Snap Ring O.D. 3 -1/64, Finger Type Shield
N-1307-L	1.378	35	3.150	80	.669	17	Basic 1307L with .6693" Width
N-1308-LOB	1.575	40	3.543	90	.788	20	Basic N1308LB with Snap Ring Groove
1310-L1	1.772	45	4.331	110	1.063	27	Basic 1310 with 1.7717 Bore
1313-SLB	2.559	65	5.512	140	1.299	33	Basic 1313SL with Special Snap Ring and Loading Slot

Ball Bearings

Maximum Capacity or Filling Slot Type



1400 "Heavy" Series

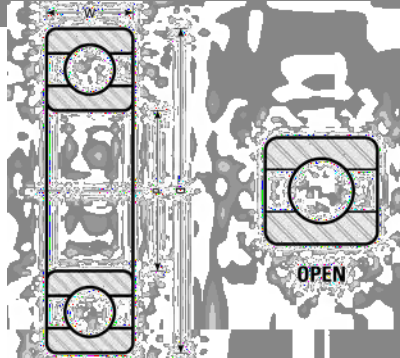
Bearing Number	Bore d		O.D. D		Width W	
	Inch	mm	Inch	mm	Inch	mm
1412-L	2.362	60	5.906	150	1.378	35

bearing
specification:
0010110111011100110101
001011011101100110101

TIMKEN®

Ball Bearings

"Extra Light " Inch Type

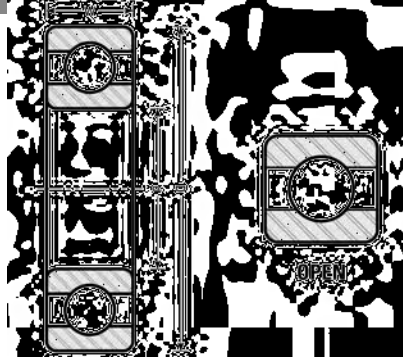


"XLS" Type

Bearing Number	Bore d	O.D. D	Width W
XLS-1-3/4	1 3/4	3	9/16
XLS-2-1/4	2 1/4	3 9/16	5/8
XLS-2-1/2	2 1/2	3 7/8	11/16
XLS-2-3/4	2 3/4	4 1/8	11/16
XLS-3	3	4 1/2	3/4
XLS-3-1/4-ASG	3 1/4	4 3/4	3/4
XLS-3-1/2	3 1/2	5	3/4
XLS-4	4	5 5/8	7/8
XLS-4-1/8	4 1/8	6	7/8
XLS-4-1/4	4 1/4	6	7/8
XLS-4-1/2	4 1/2	6 1/4	7/8
XLS-4-1/2-S	4 1/2	6 1/4	7/8
XLS-4-3/4	4 3/4	6 1/2	7/8
XLS-5	5	7	1
XLS-5-1/8-AS	5.1181	7.0866	0.9449
XLS-5-1/2	5 1/2	7 1/2	1

Ball Bearings

Specialty Bearings



"XLS" Series

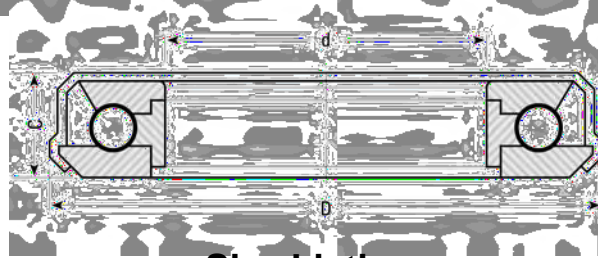
Bearing Number	Bore	O.D.	Width	Special Features
XLS-3-1/4-FFA	3 1/4	4 3/4	1	Same as XLS-3-1/4-FF except 1.000" I.R. width.
XLS-3-1/2-AG	3 1/2	5	3/4	Same as XLS-3-1/2-A with .090" x .213" slot in I.R.
XLS-3-3/4-G	3 3/4	5 1/4	3/4	Same as XLS-3-3/4 with .128" x .276" slot in I.R.
XLS-4-1/2-G	4 1/2	6 1/4	7/8	Same as XLS-4-1/2-SS except O.D. .001" undersized, .131" x .276" slot in I.R., .020" bore corners 1

bearing
specification:
0010110111101100110101
0010110111101100110101

TIMKEN®

Clutch Release Bearings

Bearing Only - Thrust



Size Listing

Bearing Number	Bore d	Outside Diameter D	Mounting Seat O.D.		Bearing Width C
			Minimum	Maximum	
1562-C	1.1250	3.7500	2.063	2.064	1.8750
1505	1.4995	2.7344	1.501	1.502	0.7005
1562	1.5620	3.0625	1.563	1.565	0.7725
1625	1.6255	3.0625	1.627	1.628	0.7600
1625-T	1.6255	3.0625	1.627	1.628	0.7700
1697	1.6915	2.7344	1.693	1.694	0.7635
1752	1.7505	3.0625	1.752	1.753	0.7715
1752-T	1.7505	3.0625	1.752	1.753	0.7715
1773	1.7715	2.8800	1.772	1.774	0.6250
1872	1.8755	3.3125	1.877	1.878	0.8145
1872-T	1.8755	3.3125	1.877	1.878	0.8145
2005	2.0005	3.5000	2.002	2.003	0.8400
2005-T	2.0005	3.5000	2.002	2.003	0.8250
2005-31	2.0005	3.6875	2.002	2.003	0.8070
2005-35	2.0005	3.6875	2.002	2.003	0.8070
2005-43	2.0005	3.6875	2.002	2.003	0.8070
2066	2.0625	3.5770	2.063	2.065	0.8070
2063-R	2.0630	3.3125	2.064	2.066	0.8145
2065	2.0630	3.5000	2.064	2.066	0.8400
2065-31	2.0630	3.5000	2.064	2.066	0.8300
2065-T	2.0630	3.5000	2.064	2.066	0.8400
2135	2.1350	3.5625	2.136	2.138	0.8070

Clutch Release Bearings

Bearing Only - Thrust - Continued

Size Listing

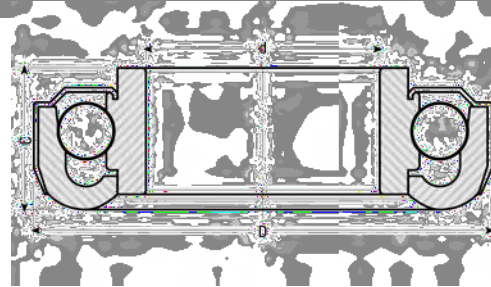
Bearing Number	Bore d	Outside Diameter D	Mounting Seat O.D.		Bearing Width C
			Minimum	Maximum	
2256	2.2495	3.5000	2.251	2.252	0.9062
2255-18	2.2495	3.7500	2.251	2.252	0.8215
2255-31	2.2495	3.7500	2.251	2.252	0.8215
613007	2.3740	3.8550	2.375	2.377	0.8110
2375-F	2.3745	3.5000	2.376	2.377	0.8045
2503-1	2.4995	4.0625	2.501	2.502	0.8850
2505-14	2.4995	4.0625	2.501	2.502	0.8850
2505-T	2.4995	4.0625	2.501	2.502	0.8850
2508	2.5000	4.1400	2.500	2.502	1.5260
2755	2.7495	4.0625	2.751	2.752	0.9165
2756	2.7495	4.0625	2.751	2.752	1.0200
2756-T	2.7495	4.0625	2.751	2.752	1.0200
2759	2.7495	4.6250	2.751	2.752	1.0200
2759-28	2.7495	4.6250	2.751	2.752	0.8725

bearing
specification:
00101101111011100110101
00101101111011100110101

TIMKEN®

Clutch Release Bearings

Bearing Only - Angular Contact

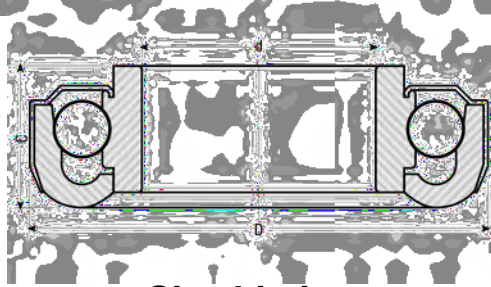


Size Listing

Bearing Number	Bore d	Outside Diameter D	Mounting Seat O.D.		Overall Width C
			Minimum	Maximum	
DN-01575	.1880	1.8502	1.848	1.850	0.6500
613000	1.2970	1.2980	-	-	0.7480
TR-1715	1.4999	2.6902	1.500	1.502	0.7728
TR-1716	1.4999	2.6902	1.500	1.502	0.7728
614080	1.5200	2.4850	-	-	0.5750
01812	1.8122	3.0625	1.813	1.814	0.8750
613014	2.1181	3.5709	-	-	0.9134
02135	2.1350	3.5000	2.136	2.137	0.9063
613009	2.1654	3.4490	2.166	2.167	0.7697
02251	2.2497	3.4375	2.250	2.252	0.7550
02252	2.2497	3.5000	2.250	2.252	0.9063
02755	2.2497	4.0625	2.250	2.252	1.0000
02255	2.4970	3.5000	2.250	2.252	0.9063
613004	2.5000	4.0620	2.500	2.502	0.8150

Clutch Release Bearings

Bearing Only - Sealed Angular Contact



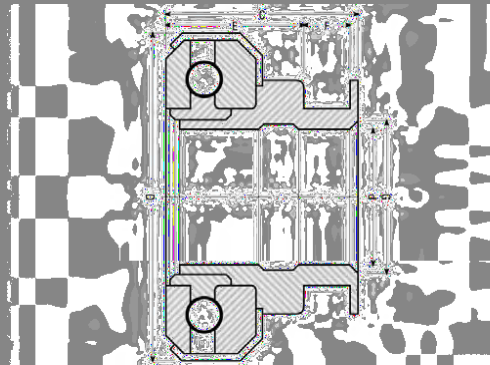
Size Listing

Bearing Number	Bore d	Outside Diameter D	Mounting Seat O.D.		Bearing Width C
			Minimum	Maximum	
01296	1.2990	2.3000	1.299	1.301	0.6050
613001	1.3780	2.2800	1.378	1.380	0.5560
613003	1.3780	2.5030	1.378	1.380	0.7126
614078	1.4528	2.5950	1.453	1.455	0.8150
01496	1.4994	2.5310	1.500	1.501	0.6490
614143	1.5356	2.7520	1.575	1.576	0.6614
TO-1710	1.5744	2.5040	1.575	1.576	0.6350
01576	1.5750	2.5130	1.575	1.576	0.7930
613010	1.5750	2.5130	1.575	1.576	0.7930
613015	1.5750	3.1653	1.575	1.577	0.9016
613012	1.6535	3.0315	1.654	1.655	0.7480
614085	1.7890	3.4650	-	-	0.7500
613008	2.0627	3.4370	2.063	2.065	1.0336
613013	2.1654	3.4646	2.166	2.167	0.6299
02256-N	2.2498	3.7360	2.250	2.252	0.7550
613017	2.3622	3.8189	2.363	2.364	0.8661
613016	2.5787	4.0157	2.579	2.581	0.8661

bearing
specification:
0010110111101100110101
0010110111101100110101

TIMKEN®

Clutch Release Bearings Thrust Assemblies



Size Listing

Bearing Number	Bore d	Outside Diameter D	Overall Width C	Fork to Face E	Fork Groove	
					Width F	Diameter G
C-1697-C	1.1895	3.9100	1.0000	0.718	-	3.250
PA-1505-C	1.2500	1.7500	1.6850	1.172	-	2.700
W-1505-C	1.2500	3.0100	2.2338	1.844	-	1.805
V-1505-C	1.2525	3.0000	2.2025	1.625	-	1.934
614003	1.3020	2.5900	1.7010	1.286	-	1.740
614095	1.3050	2.7360	1.1620	0.984	.709	1.445
F-1505-C	1.3160	2.8800	1.5000	0.945	-	1.640
R-1605-C	1.3175	2.7344	1.6800	1.192	.378	1.696
VW-1339-C	1.3380	3.9370	0.9370	0.811	-	2.827
1697-C	1.3750	2.7656	1.9531	1.313	.503	1.626
GH-2005-C	1.3750	3.6210	1.5000	0.875	.503	1.625
M-1625-C	1.3760	3.0150	1.6406	0.895	.504	1.625
GD-2005-C	1.3760	3.6875	1.7850	1.110	.503	1.625
1377-C	1.3770	2.7344	1.6093	0.993	.503	1.626
G-1625-C	1.3770	3.0625	1.6990	1.044	.513	1.625
614088	1.3780	2.9920	1.5950	1.260	.413	1.764
G-1697-C	1.3800	2.7344	1.4100	0.800	.503	1.625

Clutch Release Bearings

Thrust Assemblies - Continued

Size Listing

Bearing Number	Bore d	Outside Diameter D	Overall Width C	Fork to Face E	Fork Groove	
					Width F	Diameter G
R-1625-C	1.4140	3.0910	1.9300	1.440	.378	1.695
FC-1723-C	1.4200	2.9063	1.5000	1.094	-	1.765
DP-1625-C	1.4220	3.1400	2.1250	1.687	-	1.934
FB-1625-C	1.4370	3.0625	1.4200	0.970	-	2.380
F-1625-C	1.4370	3.1400	1.4375	0.969	-	-
FO-1447-C	1.4380	3.0150	1.4375	0.768	.597	1.650
614030	1.4380	3.3500	1.8250	1.380	-	1.671
614034	1.4390	3.0625	1.4100	0.970	-	1.640
FC-2255-C	1.4430	3.8220	2.6840	2.004	.520	2.346
614017	1.4449	3.0118	1.3898	0.969	-	2.402
NH-1752-C	1.5380	3.1250	3.1875	2.622	.378	1.696
IB-2005-C	1.6255	3.5000	2.3450	1.960	.880	2.250
I-2005-C	1.6265	3.6875	3.3850	2.250	.875	2.250
2005-C	1.6290	3.6875	2.8388	1.750	.875	2.250
FA-2065-C	1.7475	3.5620	1.4375	1.050	.370	2.580
DC-2065-C	1.7490	3.5000	2.5625	2.031	-	2.144
614070	1.7496	3.5598	1.8941	1.444	-	1.934
DB-2255-C	1.7498	3.7500	2.5550	2.000	-	2.144
2065-C	1.7500	3.5770	2.1150	0.759	-	2.115
F-2065-C	1.7515	3.5000	2.1300	1.430	.520	2.080
FB-2065-C	1.7515	3.5000	2.0060	1.315	.520	2.080
FA-2255-C	1.7515	3.7500	2.1200	1.430	.520	2.080
D-2065-C	1.7520	3.7500	1.7500	1.250	-	2.203

bearing
specification:
0010110111101100110101
0010110111101100110101

TIMKEN®

Clutch Release Bearings

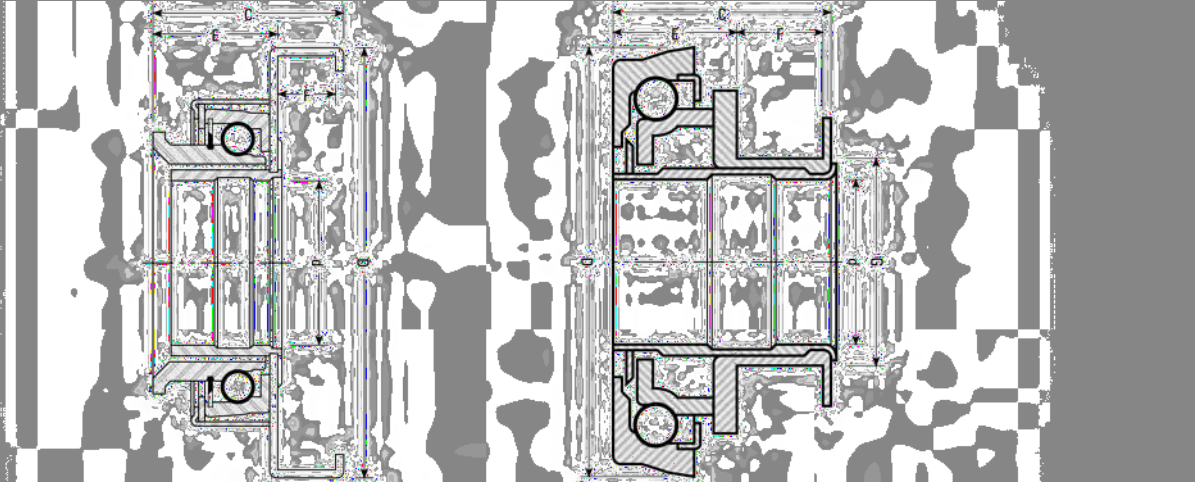
Thrust Assemblies - Continued

Size Listing

Bearing Number	Bore d	Outside Diameter D	Overall Width C	Fork to Face E	Fork Groove	
					Width F	Diameter G
GL-2005-C	1.8000	3.6875	2.2140	1.546	.504	2.062
614096	1.8120	3.7020	2.8500	2.250	.500	2.625
GM-2005-C	1.8145	3.6875	3.2550	2.607	.504	2.062
614098	1.8750	3.7960	4.1250	3.438	-	-
614019	1.8760	6.0000	2.7100	2.310	-	4.880
614042	1.8785	4.2250	1.7950	1.381	-	3.370
614065	2.2490	4.1400	3.7000	3.130	-	-
614097	2.2490	4.1400	4.0700	3.550	-	-
GE-2505-C	2.2500	4.3700	2.3270	1.640	-	2.940
GD-2505-C	2.2515	4.3600	2.9750	2.380	-	2.940

Clutch Release Bearings

Angular Contact Assemblies



Size Listing

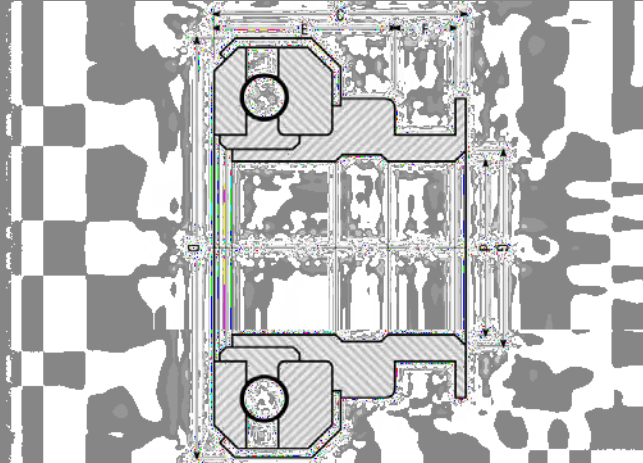
Bearing Number	Bore d	Outside Diameter D	Overall Width C	Fork to Face E	Fork Groove	
					Width F	Diameter G
614041	-	1.2900	.7340	0.294	-	-
TT-2092-HH	1.1000	3.3125	1.3125	0.813	-	1.531
614135	1.1480	3.3850	1.3400	1.045	-	2.680
VW-1006-C	1.1610	3.4650	.8350	0.618	-	2.835
614100	1.2250	2.5000	1.4500	1.060	-	1.607
614129	1.3130	2.8100	1.8050	0.955	.730	2.610
RB-01658-C	1.4145	2.8100	1.9650	1.440	.378	1.696
614089	1.4350	3.3460	2.3400	1.929	.413	2.441
614057	1.8120	3.8460	2.8602	2.205	.512	2.145
IA-02135-C	1.8768	4.0000	2.4350	1.250	.880	2.900
IB-02135-C	1.8768	4.0000	3.4850	2.250	.880	2.900
I-02135-C	1.8770	3.5000	3.5300	2.250	.875	-
CA-02135-C	1.8775	3.5000	2.8230	2.185	.503	2.140

bearing
specification:
0010110111101100110101
0010110111101100110101

TIMKEN®

Clutch Release Assemblies

Sealed Angular Contact



Size Listing

Bearing Number	Bore d	Outside Diameter D	Overall Width C	Fork to Face E	Fork Groove	
					Width F	Diameter G
DNB-01576-C	0.9860	2.8900	2.0310	1.751	-	1.367
DND-01576C	0.9860	2.8900	1.8540	1.574	-	1.367
614004	1.1000	2.3750	1.4375	1.094	-	1.425
614150	1.1100	3.0720	0.7870	0.433	-	2.440
HN-1719-C	1.1420	2.3000	1.3437	0.833	-	1.408
614007	1.1900	2.7600	1.1880	0.734	-	2.264
614028	1.2611	2.3701	1.3976	0.886	-	1.575
DNA-01577-C	1.3030	2.5350	1.6910	1.270	-	1.650
DNC-01576-C	1.3030	2.8900	1.7210	1.301	-	1.650
DNE-01576-C	1.3030	2.8900	2.1140	1.694	-	1.650
DNF-01576-C	1.3030	2.8900	2.2700	1.850	-	1.650
614001	1.3060	2.5800	1.8710	1.521	-	1.740
614132	1.3400	3.2300	1.2600	1.100	-	1.890
CD-1377-C	1.3780	2.7250	1.2160	0.650	.476	1.625
CC-1705-C	1.3780	2.7600	1.5200	0.660	.504	1.625
614138	1.3780	2.9134	1.6535	0.618	.827	2.342
614139	1.3780	2.9134	1.5945	0.618	.887	2.341

Clutch Release Assemblies

Sealed Angular Contact - Continued Size Listing

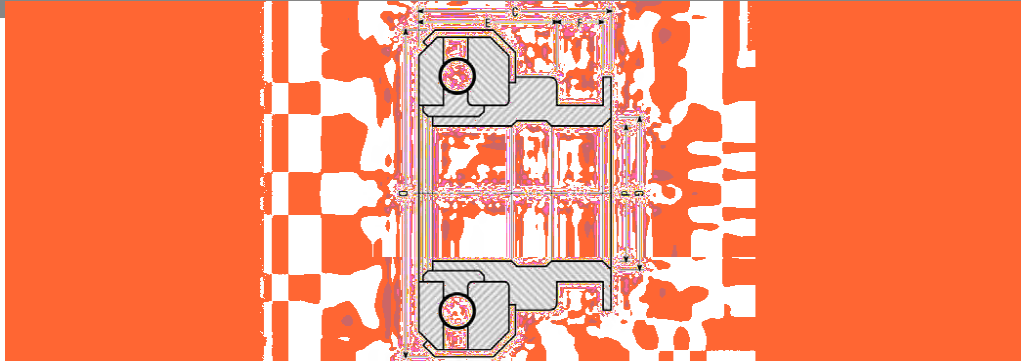
Bearing Number	Bore d	Outside Diameter D	Overall Width C	Fork to Face E	Fork Groove	
					Width F	Diameter G
614000	1.3840	2.5230	1.6300	1.215	-	1.735
614002	1.3840	2.8500	1.6850	1.335	-	1.740
614005	1.3840	2.8500	1.4410	1.076	-	1.740
614107	1.4567	3.5433	1.6929	1.221	-	2.205
F-01757-C	1.7498	3.4400	1.9900	1.366	.520	2.080
FA-01757-C	1.7498	3.4400	1.9300	1.306	.520	2.080
614024	1.8155	3.7500	3.1540	2.506	.504	2.062
F-02256-C	1.9445	3.7410	2.6900	2.000	.520	2.340
FD-02256-C	1.9445	3.7410	2.6900	1.500	.521	2.340
FA-02256-C	1.9445	5.7500	4.1000	3.450	-	3.374
FB-02256-C	1.9445	5.7500	3.0300	2.380	-	3.374

bearing
specification:
0010110111101100110101
0010110111101100110101

TIMKEN®

Clutch Release Assemblies

Sealed Self Aligning



Size Listing

Bearing Number	Bore d	Outside Diameter D	Overall Width C	Fork to Face E	Fork Groove	
					Width F	Diameter G
FI-1709-C	1.0320	3.0100	1.8570	1.342	.325	1.215
FI-1710-C	1.1020	3.6710	1.4400	-	-	3.551
614110	1.1023	2.2500	1.0830	0.886	-	1.614
614050	1.1044	2.4610	1.2600	0.866	-	2.171
614082	1.1050	2.3500	1.2550	0.860	-	1.192
614033	1.1417	2.2441	1.2205	0.827	-	1.850
614128	1.1520	2.4740	1.3300	0.832	.432	1.497
614127	1.1555	2.4450	1.3700	0.839	.442	1.809
614092	1.1870	2.6400	1.1500	0.742	-	1.866
614066	1.1870	2.7740	1.8800	0.734	-	2.264
614069	1.1870	3.1700	1.0000	0.276	.452	2.669
614122	1.2205	2.8510	1.5748	0.984	.629	2.686
614031	1.2222	2.5130	1.4060	0.906	-	2.093
614077	1.2250	2.7500	1.5200	1.035	-	2.095
614016	1.2500	2.6500	1.5640	1.260	-	1.809
614099	1.2500	2.6772	1.3070	0.854	-	1.575
614053	1.2500	2.8300	1.3580	1.063	-	1.805

Clutch Release Assemblies

Sealed Self Aligning - Continued Size Listing

Bearing Number	Bore d	Outside Diameter D	Overall Width C	Fork to Face E	Fork Groove	
					Width F	Diameter G
614036	1.2510	2.7600	2.0040	1.625	-	1.934
614126	1.2510	2.7750	1.3320	0.830	-	2.367
614108	1.2520	3.0500	0.9690	0.684	-	2.193
614054	1.2525	2.6400	2.0080	1.625	-	1.934
614039	1.2610	2.5250	1.3500	0.895	-	1.563
614043	1.2992	2.9193	1.1201	0.866	-	2.765
614152	1.2992	3.1900	1.2205	0.866	.657	3.120
614022	1.3010	3.5430	0.9060	0.512	-	2.677
614049	1.3010	3.5430	1.1810	-	-	2.677
614026	1.3020	3.1740	1.5850	0.984	.472	3.043
614047	1.3024	3.5430	0.9060	0.512	-	2.673
614048	1.3024	3.5430	1.1160	-	-	2.673
614055	1.3024	3.5430	0.9840	0.591	-	2.673
614063	1.3035	2.8860	1.5390	0.984	.472	1.650
614059	1.3051	3.1500	1.2600	0.906	-	2.693
614056	1.3067	2.9015	1.3780	0.984	-	2.776
614116	1.3177	3.4720	1.7126	0.630	.781	1.715
614118	1.3272	3.4243	1.2650	0.768	-	2.990
614013	1.3290	2.7600	1.3620	0.680	.600	1.675
614021	1.3300	3.2200	1.4580	0.945	-	2.986
614060	1.3300	3.2200	1.2700	0.768	-	2.986
614123	1.3400	2.8350	1.5800	1.190	-	1.500
614015	1.3406	3.9370	0.9370	0.557	-	2.845
614073	1.3500	2.5700	1.2750	0.940	-	1.820

bearing
specification:
0010110111011100110101
0010110111011100110101

TIMKEN®

Clutch Release Assemblies

Sealed Self Aligning - Continued Size Listing

Bearing Number	Bore d	Outside Diameter D	Overall Width C	Fork to Face E	Fork Groove	
					Width F	Diameter G
614037	1.3750	2.6400	1.8990	1.250	.505	1.625
614117	1.3760	3.5100	1.6380	0.626	.780	2.292
614083	1.3770	2.7600	1.2100	0.650	.476	1.625
614009	1.3775	2.7600	1.0880	0.635	.380	1.625
614018	1.3775	2.7600	1.2460	0.660	.504	1.625
614109	1.3775	3.7900	1.2350	0.650	.476	1.625
614146	1.3780	2.6772	1.4961	1.024	-	1.630
614104	1.3780	2.8346	1.4961	0.902	.350	2.292
614072	1.3780	2.9000	1.6140	0.945	.512	2.835
614086	1.3780	2.9921	1.5945	1.181	-	1.732
614147	1.3780	3.1450	1.4250	0.985	-	3.000
614091	1.3780	3.1900	1.2300	1.063	.608	3.118
614068	1.3793	3.0315	1.5945	0.945	.512	2.843
614076	1.3800	3.3300	2.1050	1.440	-	1.855
614084	1.4030	3.3050	1.3350	0.981	-	3.125
614079	1.4200	3.0300	1.5400	0.975	.482	3.050
614067	1.4215	3.2070	1.6680	1.063	.472	3.043
614038	1.4350	2.7600	1.0310	0.977	-	2.380
614093	1.4350	3.0600	2.0080	1.625	-	1.937
614052	1.4370	3.0150	2.1950	1.765	-	1.671
614014	1.4380	2.7600	1.3600	0.680	.600	1.675
614061	1.4470	3.1080	2.3980	0.768	-	2.986
614040	1.4470	3.2283	2.3346	-	-	-
614105	1.5000	2.8300	1.9450	0.995	-	1.800
614106	1.5000	2.9650	2.3000	1.675	-	2.655
614062	1.7350	3.4370	1.8200	0.903	.695	2.212

Clutch Release Assemblies

Sealed Self Aligning - Continued Size Listing

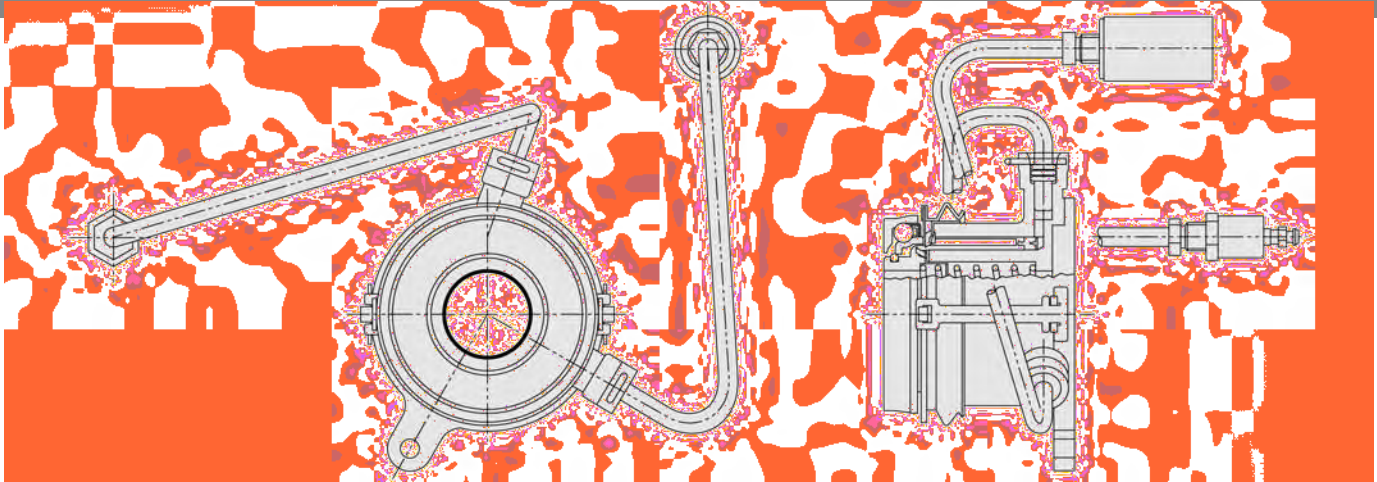
Bearing Number	Bore d	Outside Diameter D	Overall Width C	Fork to Face E	Fork Groove	
					Width F	Diameter G
614058	1.7485	3.4650	1.8780	1.229	.520	2.340
614114	1.7495	3.5000	1.8400	1.437	-	1.934
614087	1.9435	3.7410	3.7850	3.137	.520	2.340

bearing
specification:
00101101111011100110101
00101101111011100110101

TIMKEN®

Clutch Release Bearings

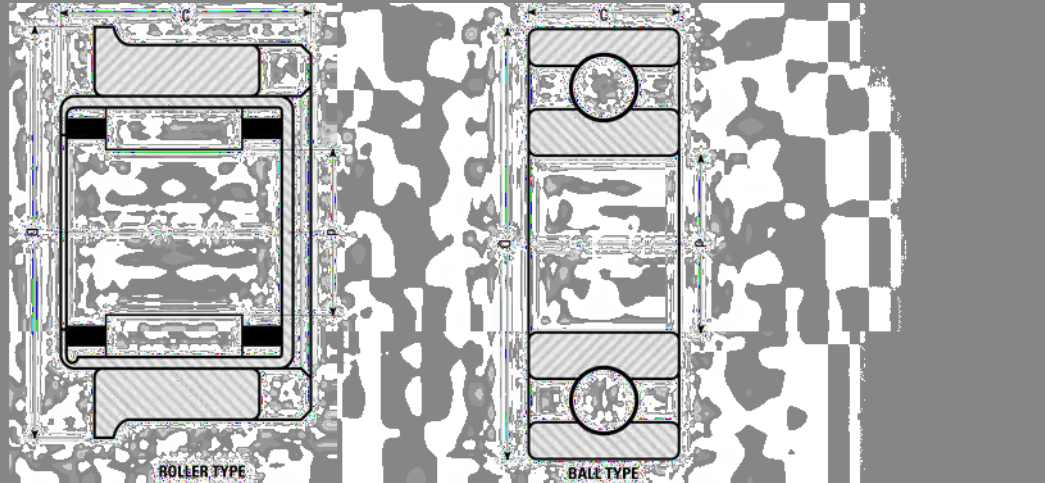
Hydraulic



Numerical Listing

Part Number	Bore	Outside Diameter	Overall Width
619001	1.2000	3.2300	2.6760
619002	1.2000	3.2300	2.6760
619003	1.2000	3.2300	2.6760
619004	1.2000	3.2300	2.6760
619005	1.0800	2.9430	1.7910
619006	1.0800	2.9430	1.7910
619007	1.2000	3.2300	2.6760
619008	1.2000	3.2300	2.6760

Clutch Pilot Bearings



ROLLER TYPE

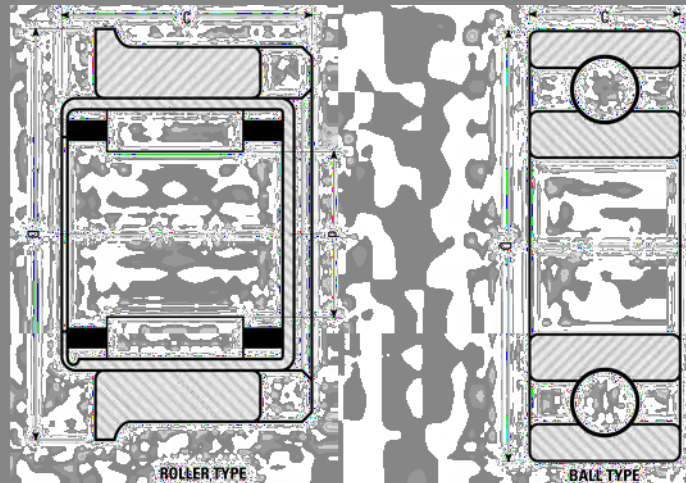
BALL TYPE

Part Number	Bore d		Outside Diameter D		Width C		Type
	Inch	mm	Inch	mm	Inch	mm	
200-CC	0.394	10	1.181	30	0.354	9	B
101-SS	0.472	12	1.102	28	0.315	8	B
201	0.472	12	1.260	32	0.394	10	B
201-CC	0.472	12	1.260	32	0.394	10	B
HK-1210	0.472	12	0.630	16	0.394	10	R
FC-65354	0.590	-	0.827	21	0.591	15	R
102-CC	0.591	15	1.260	32	0.354	9	B
152016	0.591	15	0.787	20	0.630	16	R
202	0.591	15	1.378	35	0.433	11	B
202-FF	0.591	15	1.378	35	0.433	11	B
202-S	0.591	15	1.378	35	0.433	11	B
202-SS	0.591	15	1.378	35	0.433	11	B
302-CC	0.591	15	1.654	42	0.512	13	B
7109	0.591	15	1.378	35	0.354	9	B
F-85265	0.591	15	0.827	21	0.591	15	R
FC-65446	0.591	15	0.945	-	0.610	-	R
57080	0.592	-	1.096	-	0.725	-	R
F-33126	0.593	-	0.827	21	0.591	15	R
8016	0.630	16	1.378	35	0.500	-	B

bearing
specification:
001011011101100110101
001011011101100110101

TIMKEN®

Clutch Pilot Bearings

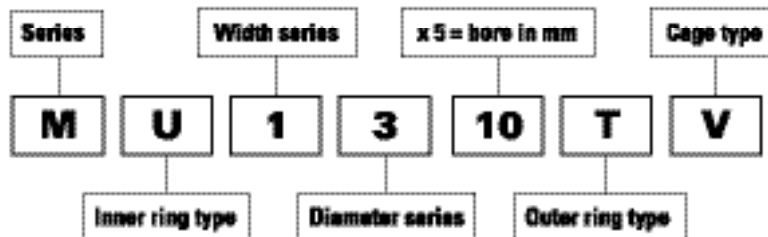


Part Number	Bore d		Outside Diameter D		Width C		Type
	Inch	mm	Inch	mm	Inch	mm	
103-CC	0.669	17	1.378	35	0.394	10	B
203	0.669	17	1.575	40	0.472	12	B
203-FF	0.669	17	1.575	40	0.472	12	B
203-FS	0.669	17	1.575	40	0.472	12	B
203-SS	0.669	17	1.575	40	0.472	12	B
303-S	0.669	17	1.850	47	0.551	14	B
FC-65174	0.671	-	1.450	-	0.733	-	R
FC-65662	0.671	-	1.450	-	0.669	17	R
FC-66067	0.671	-	1.853	-	0.669	17	R
F-85706	0.709	18	0.945	24	0.630	16	R
204-F	0.787	20	1.850	47	0.551	14	B
204-S	0.787	20	1.850	47	0.551	14	B
204-SS	0.787	20	1.850	47	0.551	14	B
105	0.984	25	1.850	47	0.472	12	B
105-CC	0.984	25	1.850	47	0.472	12	B
105-SS1	0.984	25	1.850	47	0.709	18	B
205-FF	0.984	25	2.047	52	0.591	15	B
205-S	0.984	25	2.047	52	0.591	15	B
205-SS	0.984	25	2.047	52	0.591	15	B
205-VV	0.984	25	2.047	52	0.591	15	B
305-DD	0.984	25	2.441	62	0.669	17	B

Clutch Pilot Bearings

Part Number	Bore d		Outside Diameter D		Width C		Type
	Inch	mm	Inch	mm	Inch	mm	
305-S	0.984	25	2.441	62	0.669	17	B
305-SS	0.984	25	2.441	62	0.669	17	B
306-VVH	0.984	25	2.835	72	0.748	19	B
8505	0.984	25	2.047	52	0.659	-	B
88505	0.984	25	2.047	52	0.659	-	B
206-FF	1.181	30	2.441	62	0.630	16	B
206-S	1.181	30	2.441	62	0.630	16	B
206-SS	1.181	30	2.441	62	0.630	16	B
206-VV	1.181	30	2.441	62	0.630	16	B
306-F	1.181	30	2.835	72	0.748	19	B
306-FF	1.181	30	2.835	72	0.748	19	B
306-S	1.181	30	2.835	72	0.748	19	B
306	1.181	30	2.835	72	0.748	19	B
306-VV	1.181	30	2.835	72	0.748	19	B
306-VVL	1.181	30	2.835	72	0.748	19	B
209-SS	1.772	45	3.347	85	0.748	19	B

Clindrical Roller Bearing Numbering System



PREFIX LETTERS	1	2	3	4	Explanation
	-	A	-	-	Plain Inner Ring
	-	-	B	-	Special Features
	C	-	-	-	Mast and Chain Guide Bearings
	-	-	C	-	Special Features
	-	-	D	D	Inner Ring Bore 5mm Undersize (Max-Pak Series Only)
	-	-	E	E	Inner Ring Bore 10mm Undersize (Max-Pak Series Only)
	-	-	F	-	Unground Rib O.D.
	-	-	F	F	Inner Ring Bore 15mm Undersize (Max-Pak Series Only)
	-	-	G	G	Inner Ring Bore 20mm Undersize (Max-Pak Series Only)
M	-	-	-	Standard Metric Series	
-	N	N	N	Inner Ring Plate	
R	-	-	-	Customer Series	
-	R	-	-	One Ribbed Inner Ring	
-	S	-	-	Short, One Ribbed Inner Ring	
-	-	T	T	5mm or 10mm Undersize Bore	
-	U	-	-	Two Ribbed Inner Ring	
W	-	-	-	Max-Pak 60000 Series	
-	-	X	-	Unground Rib O.D.	

SUFFIX LETTERS	Explanation	1	2	3	4	5
	Oversized O.D. for Heavy Press Fit in Standard Housing Bore		A	A		
	Special Features		B	B	B	
	Plain Outer Ring	C	C	C		
	One Ribbed Outer Ring	D	D			
	Two Ribbed Outer Ring	E	E			
	Unground Rib I.D.	F				
	Fibron Cage	F	F	F	F	F
	Snap Ring Groove in Outer Ring O.D.	G	G	G		
	Blind Dowel Hole in Outer Ring O.D.		H	H		
Brass or Bronze Cage	J	J	J	J	J	
Composite Steel Cage	L	L	L	L	L	
Full Complement Bearing (No Cage)		M	M	M	M	
Outer Ring Plate		N	N			
Snap Ring Assembled in Outer Ring O.D.				R	R	
Short, One Ribbed Outer Ring	S					
Two Retaining Rings in Outer Ring I.D.	T	T	T			
One Rib, One Retaining Ring in Outer Ring I.D.	U	U				
One Piece Steel Cage	V	V	V	V	V	
Unground Rib I.D.	X					
"X" Bar Composite Steel Cage	X	X	X	X	X	

Bearing Types

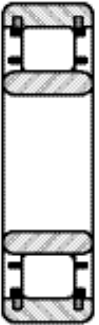
Separable Inner Rings



DESIGN FEATURES

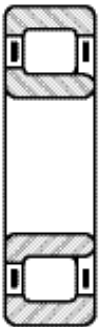
MA - EL

- Two ribbed outer ring
- Straight, separable inner ring
- Rollers retained with outer ring
- Composite steel cage



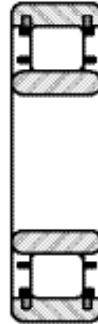
MA - TV

- Two split retaining rings in outer ring
- Straight, separable inner ring
- Rollers retained with outer ring
- One-piece steel cage



MR - EL

- Two ribbed outer ring
- One ribbed, separable inner ring
- Rollers retained with outer ring
- Composite steel cage



DESIGN FEATURES

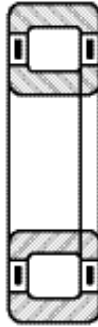
MR - TV

- Two split retaining rings in outer ring
- One ribbed, separable inner ring
- Rollers retained with outer ring
- One-piece steel cage



MR - UV

- One split retaining ring and one rib in outer race
- One ribbed, separable inner ring
- Rollers retained with outer ring
- One-piece steel cage

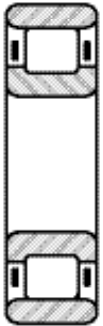


MSN - EL

- Two ribbed outer ring
- Removable, short, one ribbed inner ring and loose side plate
- Rollers retained with outer ring
- Composite steel cage

Bearing Types

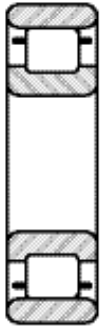
Separable Outer Rings



DESIGN FEATURES

MU - CL

- Straight, separable outer ring
- Two ribbed inner ring
- Rollers retained with inner ring
- Composite steel cage



MU - CV

- Straight, separable outer ring
- Two ribbed inner ring
- Rollers retained with inner ring
- One-piece steel cage



MU - DL

- One ribbed, separable outer ring
- Two ribbed inner ring
- Rollers retained with inner ring
- Composite steel cage



DESIGN FEATURES

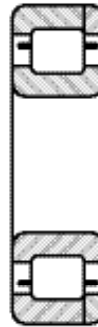
MU - DV

- One ribbed, separable outer ring
- Two ribbed inner ring
- Rollers retained with inner ring
- One-piece steel cage



MU - SNL

- Removable, short, one ribbed outer ring and loose side plate
- Two ribbed inner ring
- Rollers retained with inner ring
- Composite steel cage

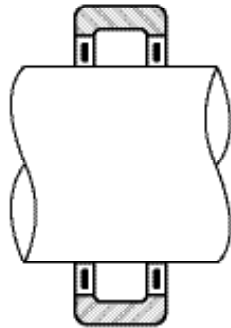


MU - SNV

- Removable, short, one ribbed outer ring and loose side plate
- Two ribbed inner ring
- Rollers retained with inner ring
- One-piece steel cage

Bearing Types

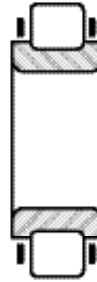
Inner or Outer Ring Omitted



DESIGN FEATURES

M - EL

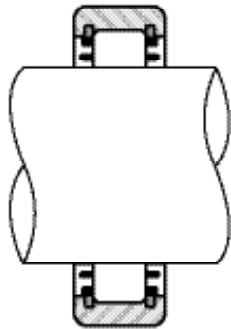
- Two ribbed outer ring
- Inner ring omitted
- Composite steel cage



DESIGN FEATURES

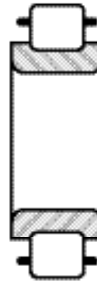
MU - L

- Outer ring is omitted
- Two ribbed inner ring
- Composite steel cage



M - TV

- Two split retaining rings in outer ring
- Inner ring omitted
- One-piece steel cage



MU - V

- Outer ring is omitted
- Two ribbed inner ring
- One-piece steel cage

Non-Seperable Inner Rings



DESIGN FEATURES

MU - TV

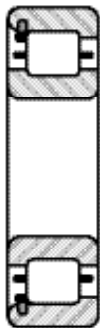
- Two split retaining rings in outer ring
- Two ribbed inner ring
- One-piece steel cage



DESIGN FEATURES

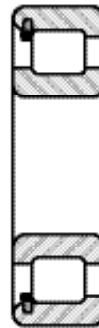
MU - TM

- Two split retaining rings in outer ring
- Two ribbed inner ring
- No cage (full complement of rollers)



MU - UV

- Same design features as MU - TV above, except outer ring contains one split retaining ring and one solid rib which will take moderate thrust loads or locate shaft in one direction.



MU - UM

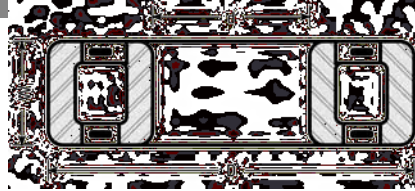
- Same design features as MU - TM above, except outer ring contains one split retaining ring and one solid rib that will take a moderate thrust load or locate shaft in one direction.

bearing
specification:
0010110111011100110101
0010110111011100110101

TIMKEN®

Cylindrical Roller Bearings

Size Listing



Bore d		O.D. D		Width W		Complete Bearing	Type	Comments #
Inch	mm	Inch	mm	Inch	mm			
0.7500		2.2500		0.9950		CS-5704-EM	MA	Match Assembly - Chain Guide Bearing
0.7515		1.2508		0.6050		R-1558-TAV	NS	
0.7874	20	1.6066		0.5512	14	MU-1204-JA	NS	
0.7874	20	1.8504	47	0.8125		MUB-5204-TM	NS	Inner race radius .040 oversize
0.9843	25	1.7646		0.5906	15	MU-1205-L	NS	
0.9843	25	2.0472	52	0.5906	15	MA-1205-EL	SI	
0.9843	25	2.0472	52	0.5906	15	MA-1205-TV	SI	
0.9843	25	2.0472	52	0.5906	15	MR-1205-EL	SI	
0.9843	25	2.0472	52	0.5906	15	MU-1205-TM	NS	
0.9843	25	2.0472	52	0.8125		MA-5205-EL	SI	
0.9843	25	2.0472	52	0.8125		MR-5205-EL	SI	
0.9843	25	2.0472	52	0.8125		MU-5205-CL	SO	
0.9843	25	2.0472	52	0.8125		MUB-5205-UM	NS	Inner race radius .065 oversize
0.9843	25	2.3228	59	0.9449	24	MSNB-5305-GTBV	SI	
0.9843	25	2.4384		0.7480	19	MU-1305-TCM	NS	
0.9843	25	2.4409	62	0.6693	17	MA-1305-EL	SI	
0.9843	25	2.4409	62	0.6693	17	MA-1305-TV	SI	
0.9843	25	2.4409	62	0.6693	17	MR-1305-EL	SI	
0.9843	25	2.4409	62	0.6693	17	MU-1305-TM	NS	
0.9843	25	2.4409	62	0.7480	19	MU-1305-TDM	NS	
1.0004		2.0472	52	0.5906	15	R-1304-BF	NS	
1.0930		2.4409	62	0.7087	18	MUB-1305-UDM	NS	
1.0930		2.4409	62	0.7480	19	MUB-1305-TDM	NS	
1.1017		2.0472	52	0.5906	15	M-1304-EL	NS	
1.1092		1.8504		0.6560		R-1535-TAV	NS	
1.1096		1.8504	47	0.8125		M-5204-TV	NS	
1.1102		1.8504	47	0.5512	14	M-1204-TV	NS	
1.1806		2.4397		0.6299	16	RU-1549-L	NS	
1.1807		2.8356		1.1875		* RA-1562-EBL	SI	IR-RA1562; OR-R1562EBL

* Available As Components Only

IR=Inner Race; OR=Outer Race

Cylindrical Roller Bearings

Size Listing - Continued



Bore d		O.D. D		Width W		Complete Bearing	Type	Comments #
Inch	mm	Inch	mm	Inch	mm			
1.1811	30	1.9685	50	0.6693	17	M-1304-TBV	NS	
1.1811	30	2.1275	54	0.6299	16	MU-1206-L	NS	
1.1811	30	2.1275		0.9375		MU-5206-L	NS	
1.1811	30	2.2835	58	0.7874	20	MR-5106-EV	SI	
1.1811	30	2.3770		0.9055	23	MU-7306-L	NS	
1.1811	30	2.4409	62	0.6299	16	MA-1206-EF	SI	
1.1811	30	2.4409	62	0.6299	16	MR-1206-EL	SI	
1.1811	30	2.4409	62	0.6299	16	MR-1206-GEL	SI	
1.1811	30	2.4409	62	0.6299	16	MR-1206-RUGV	SI	
1.1811	30	2.4409	62	0.6299	16	MU-1206-TM	NS	
1.1811	30	2.4409	62	0.6299	16	MU-1206-UGV	NS	
1.1811	30	2.4409	62	0.9375		MA-5206-EL	SI	
1.1811	30	2.4409	62	0.9375		MR-5206-EL	SI	
1.1811	30	2.4409	62	0.9375		MUB-5206-UM	NS	Inner race radius .065 oversize
1.1811	30	2.8346	72	0.7480	19	MA-1306-EL	SI	
1.1811	30	2.8346	72	0.7480	19	MR-1306-EL	SI	
1.1811	30	2.8346	72	0.7480	19	MU-1306-UGV	NS	
1.1811	30	2.8346	72	0.7480	19	MU-1306-UM	NS	
1.1811	30	2.8346	72	0.7480	19	MU-1306-UV	NS	
1.1811	30	2.8346	72	0.8130		RUB-1570-UM	NS	
1.1811	30	2.8346	72	0.8268	21	MU-1306-TDM	NS	
1.1811	30	2.8346	72	1.1875	30	MA-5306-EL	MA	Matched Assembly
1.1811	30	3.1496	80	0.8268	21	MUS-1307-UM	NS	
1.1811	30	3.1496	80	0.8268	21	MUSB-1307-UM	NS	
1.1811	30	3.1496	80	1.0236	26	MUSB-7307-UM	NS	
1.2370		2.0472	52	0.7650		R-1581-TV	NS	
1.2506		2.4419		1.0620		RS-5305-W	NS	
1.3046		2.0100		0.6500		C-5107-EV	NS	
1.3125	33	3.5433	90	0.9449	24	MRB-1308-EL	SI	
1.3125	33	3.5433	90	0.9449	24	MRB-1308-TV	SI	
1.3388		2.4409	62	0.6693	17	M-1305-GEL	NS	
1.3388		2.4409	62	0.6693	17	M-1305-GGTV	NS	
1.3400		2.4409	62	1.0000		M-5305-TV	NS	

bearing
specification:
0010110111011100110101
0010110111011100110101

TIMKEN®

Cylindrical Roller Bearings

Size Listing - Continued



Bore d		O.D. D		Width W		Complete Bearing	Type	Comments #
Inch	mm	Inch	mm	Inch	mm			
1.3775		3.1506		1.3750		RA-1567-EBL	MA	Matched Assembly
1.3776		2.8646	72	0.8130		RU-1570-UBM	NS	
1.3776	35	3.1496	80	0.8661	22	MUB-1307-UBM	NS	
1.3780	35	2.8346	72	0.6693	17	MA-1207-EL	SI	
1.3780	35	2.8346	72	0.6693	17	MR-1207-EL	SI	
1.3780	35	2.8346	72	0.6693	17	MU-1207-CF	SO	
1.3780	35	2.8346	72	0.6693	17	MU-1207-TM	NS	
1.3780	35	2.8346	72	0.6693	17	MU-1207-TV	NS	
1.3780	35	2.8346	72	0.6693	17	MU-1207-TVK	NS	Same as MU1207TV with the addition of a spacer on a nut
1.3780	35	2.8346	72	0.6693	17	MU-1207-UGV	NS	
1.3780	35	2.8346	72	0.6693	17	MUB-1207-TM	NS	Inner race radius is .156
1.3780	35	2.8346	72	0.8130		RU-1570-UM	NS	
1.3780	35	2.8346	72	1.0625		MA-5207-EL	SI	
1.3780	35	2.8346	72	1.0625		MU-5207-CL	SO	
1.3780	35	2.8346	72	1.0625		MU-5207-UM	NS	
1.3780	35	3.1496	80	0.8268	21	MA-1307-EL	SI	
1.3780	35	3.1496	80	0.8268	21	MR-1307-EL	SI	
1.3780	35	3.1496	80	0.8268	21	MR-1307-EX	SI	
1.3780	35	3.1496	80	0.8268	21	MU-1307-TM	NS	
1.3780	35	3.1496	80	0.8268	21	MU-1307-UM	NS	
1.3780	35	3.1496	80	0.8268	21	WU-61307-GUM	NS	
1.3780	35	3.1496	80	1.0000		MAB-1307-EL	SI	
1.3780	35	3.1496	80	1.0236	26	MUB-7307-UM	NS	
1.3780	35	3.1496	80	1.3750		MA-5307-EL	SI	
1.3780	35	3.1510		0.8268	21	* MR-1307-EAHL	SI	5/16 Blind hole in O.D. (center); IR-MR1307; OR-M1307EAHL
1.3780	35	3.3476	85	0.8268	21	MR-1307-EBX	SI	
1.3780	35	3.5433	90	0.9055	23	MUB-1308-UM	NS	
1.3780	35	3.5433	90	0.9055	23	MUS-1308-UM	NS	
1.3780	35	4.0000		1.6250		CU-8907-TM	NS	Chain Guide Bearing
1.3870	35	3.1496	80	0.8268	21	MU-1307-DV	SO	
1.3990		2.2948		1.2110		TRP-1563-TAV	NS	Repair Bearing
1.3990		2.4869		1.4600		TRP-57509	NS	Inner race width 1.3214 longer, 3/32 x 45 degree chamfer both ends, 5/16 blind hole in O.D. (center) Repair Bearing

* Available As Components Only

IR=Inner Race; OR=Outer Race

Cylindrical Roller Bearings

Size Listing - Continued



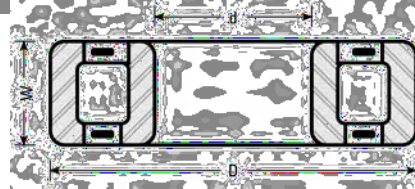
Bore d		O.D. D		Width W		Complete Bearing	Type	Comments #
Inch	mm	Inch	mm	Inch	mm			
1.3995		2.4400		0.8650		513023	NS	
1.4016		2.2520		0.6980		5707	NS	
1.5012		1.4421		0.6299	16	M-1206-EAHL	NS	9/32 Blind Hole in O.D. (center)
1.5308		2.7818		1.3440		* RA-1502-EL	SI	IR-RA1502; OR-R1502EL
1.5739		2.9750		1.0000		CU-7508-TM	NS	Chain Guide Bearing
1.5745	40	2.3368	59	1.2220	31	MRB-7309		
1.5748	40	2.1275	54	0.7087	18	MU-1208-L	NS	
1.5748	40	3.0560		0.8755		MUC-1308-J	NS	
1.5748	40	3.0560		1.1811	30	MU-7308-L	NS	
1.5748	40	3.1496	80	0.7087	18	MA-1208-EL	SI	
1.5748	40	3.1496	80	0.7087	18	MR-1208-EL	SI	
1.5748	40	3.1496	80	0.7087	18	MU-1208-TM	NS	
1.5748	40	3.1496	80	0.7087	18	MU-1208-UV	NS	
1.5748	40	3.1496	80	1.1875		MA-5208-EL	SI	
1.5748	40	3.1496	80	1.1875		MR-5208-EL	SI	
1.5748	40	3.1496	80	1.1875		MU-5208-UM	NS	
1.5748	40	3.1510		0.7087	18	MU-1208-DAL	SO	
1.5748	40	3.4004	86	0.7087	18	MU-1280-GUMR	NS	
1.5748	40	3.5433	90	0.9055	23	MA-1308-TV	SI	
1.5748	40	3.5433	90	0.9055	23	MR-1308-EJ	SI	
1.5748	40	3.5433	90	0.9055	23	MR-1308-EL	SI	
1.5748	40	3.5433	90	0.9055	23	* MR-1308-GEL	SI	IR-MR1308; OR-M1308GEL
1.5748	40	3.5433	90	0.9055	23	MR-1308-TV	SI	
1.5748	40	3.5433	90	0.9055	23	MU-1308-CHL	SO	9/32 Blind Hole in O.D. (center)
1.5748	40	3.5433	90	0.9055	23	MU-1308-TV	NS	
1.5748	40	3.5433	90	0.9055	23	MU-1308-UM	NS	
1.5748	40	3.5433	90	0.9843	25	RU-9008-UM	NS	
1.5748	40	3.5449		0.9055	23	MR-1308-EAL	SI	
1.5748	40	3.5460		0.9055	23	MR-1308-EHL	SI	5/16 Blind Hole in O.D. (center)
1.5748	40	3.7933	96	0.9055	23	MU-1308-GUMR	NS	
1.5748	40	3.9370	100	0.9843	25	MUC-1309-UM	NS	
1.5748	40	3.9370	100	0.9843	25	MUS-1309-TM	NS	
1.5748	40	4.0000		1.1250		CGM-1209-PPD	NS	

bearing
specification:
0010110111011100110101
0010110111011100110101

TIMKEN®

Cylindrical Roller Bearings

Size Listing - Continued



Bore d		O.D. D		Width W		Complete Bearing	Type	Comments #
Inch	mm	Inch	mm	Inch	mm			
1.5748	40	4.1071	104	0.9055	23	MU-1308-GUMBR	NS	
1.5748	40	4.2500		1.3070		CGM-1209-PPA	NS	
1.5800		2.4062		0.7500		R-1500-EL	NS	
1.6141	41	2.7952	71	1.0236	26	513067	NS	
1.6180		2.5778		1.3030		TRP-1559-TV	NS	Repair Bearing
1.6180	41	2.8420	72	1.1650	29	TRP-59047	NS	Repair Bearing
1.6220		2.5310		0.8230		6408	NS	
1.6248		3.1496	80	1.0830		RUB-1580-EBFR	NS	Locking collar supplied; Overall width with retainer is 1.3370
1.7040		3.0376		1.3200		TFO-1561-R	NS	Repair Bearing
1.7040		3.0876		1.3200		TGM-1561-R	NS	Repair Bearing
1.7055		2.9920		1.1950		R-1561-TV	NS	
1.7327		2.8346	72	2.1250		M-6207-EL	NS	
1.7344		2.8359		0.6693	17	M-1207-EAHL	NS	9/32 Blind Hole in O.D. (center)
1.7500		3.3465	85	1.1250		RU-8509-TM	NS	
1.7712		3.9384		1.5625		RA-1572-EBL	MA	Matched Assembly
1.7715	45	3.9367	100	1.2160	31	MUB-7309-UM	NS	
1.7717	45	2.1858		1.4060		MAR-5209	NS	
1.7717	45	3.1496	80	1.5294		RSN-1584-EV	SI	
1.7717	45	3.3464		0.7480	19	WR-61209-EX	SO	
1.7717	45	3.3465	85	0.7480	19	MA-1209-EL	SI	
1.7717	45	3.3465	85	0.7480	19	MR-1209-EL	SI	
1.7717	45	3.3465	85	0.7480	19	MU-1209-TM	NS	
1.7717	45	3.3465	85	0.7480	19	MU-1209-TV	NS	
1.7717	45	3.3465	85	0.7480	19	MU-1209-UBM	NS	
1.7717	45	3.3465	85	1.1875		MA-5209-EL	SI	
1.7717	45	3.3465	85	1.1875		MR-5209-EL	SI	
1.7717	45	3.3480		0.7480	19	MU-1209-CAHV	SO	9/32 Blind hole in O.D. (center)

* Available As Components Only

IR=Inner Race; OR=Outer Race

Cylindrical Roller Bearings

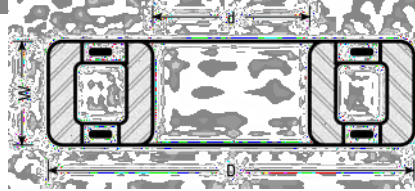
Size Listing - Continued



Bore d		O.D. D		Width W		Complete Bearing	Type	Comments #
Inch	mm	Inch	mm	Inch	mm			
1.7717	45	3.9370	100	0.9843	25	MA-1309-EL	SI	
1.7717	45	3.9370	100	0.9843	25	MR-1309-EL	SI	
1.7717	45	3.9370	100	0.9843	25	MS-1309-GEXR	SI	
1.7717	45	3.9370	100	0.9843	25	MU-1309-CV	SO	
1.7717	45	3.9370	100	0.9843	25	MU-1309-SGNV	NS	
1.7717	45	3.9370	100	0.9843	25	MU-1309-SHNV	SO	5/16 Blind hole in O.D. (center)
1.7717	45	3.9370	100	0.9843	25	MU-1309-UGM	NS	5/16 Blind hole in O.D. (center)
1.7717	45	3.9370	100	0.9843	25	MU-1309-UM	NS	
1.7717	45	3.9370	100	0.9843	25	MU-1309-UV	NS	
1.7717	45	3.9370	100	0.9843	25	MUB-1309-UM	NS	
1.7717	45	3.9370	100	1.1250		MU-1309-CHV	SO	7/16 Blind hole in O.D. (center)
1.7717	45	3.9388		0.9843	25	MR-1309-EAL	SI	
1.7717	45	3.9388		0.9843	25	* MU-1309-CAHV	SO	IR-MU1309V; OR-M1309CAH
1.7717	45	3.9388		0.9843	25	MU-1309-DAV	SO	
1.7717	45	3.9388		1.2205	31	* MR-7309-EAHL	SI	5/16 Blind hole in O.D. (center); IR-7309; OR-M7309EAHL
1.7717	45	3.9395		0.9843	25	MR-1309-EHL	SI	9/32 Blind hole in O.D. (center)
1.7717	45	4.1875	106	0.9843	25	MSN-1309-GEXR	SI	
1.8700		2.7812		1.0630	27	513008	NS	
1.9685	50	2.5180		0.6227		MS-1210	NS	
1.9685	50	3.1496	80	0.6299	16	MU-1010-V	NS	
1.9685	50	3.5433	90	0.7874	20	MA-1210-EL	SI	
1.9685	50	3.5433	90	0.7874	20	MR-1210-EL	SI	
1.9685	50	3.5433	90	1.1875		MA-5210-EL	SI	
1.9685	50	4.3307	110	1.0630	27	MA-1310-EL	SI	
1.9685	50	4.3307	110	1.0630	27	MR-1310-EX	SI	
1.9685	50	4.3307	110	1.0630	27	MU-1310-UM	NS	
1.9685	50	4.3307	110	1.0630	27	MU-1310-UV	NS	
1.9685	50	4.3329	110	1.0630	27	MSN-1310-EAJ	SI	
11.0236	280	13.9620		1.8110	46	MUB-1956-V	NS	
2.0612	52	3.5433	90	0.9055	23	M-1308-EL	NS	
2.0629		3.5449		1.1811	30	M-7308-EAHL	NS	5/16 Blind hole in O.D. (center)
2.1654	55	3.9370	100	0.8268	21	MA-1211-EL	SI	

Cylindrical Roller Bearings

Size Listing - Continued



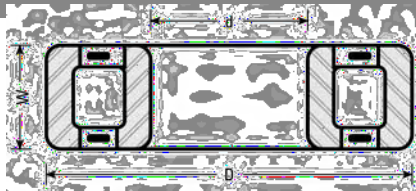
Bore d		O.D. D		Width W		Complete Bearing	Type	Comments #
Inch	mm	Inch	mm	Inch	mm			
2.1654	55	3.9370	100	0.8268	21	MA-1211-GEL	SI	
2.1654	55	3.9370	100	0.8268	21	MR-1211-EL	SI	
2.1654	55	3.9370	100	0.8268	21	MR-1211-GEL	SI	Snap ring groove in O.D.
2.1654	55	3.9370	100	0.8268	21	MSN-1211-REX	SI	
2.1654	55	3.9370	100	0.8268	21	MU-1211-GUM	NS	
2.1654	55	3.9370	100	1.3125		* MA-5211-EHL	SI	5/16 Blind hole in O.D. (center); IR-MR5211; OR-M5211EHL
2.1654	55	3.9370	100	1.3125		MA-5211-EX	SI	
2.1654	55	3.9370	100	1.3125		* MR-5211-EHL	SI	5/16 Blind hole in O.D. (center); IR-MR5211; OR-M5211EHL
2.1654	55	3.9370	100	1.3125		* MR-5211-EL	SI	IR-MR5211; OR-M5211EX
2.1654	55	4.0769		1.1417	29	MU-1311-V	NS	
2.1654	55	4.7244	120	1.1417	29	MA-1311-EL	SI	
2.1654	55	4.7244	120	1.1417	29	MR-1311-EL	SI	
2.1654	55	4.7244	120	1.1417	29	MSN-1311-GELR	SI	Snap ring groove on O.D., snap ring supplied
2.1654	55	4.7244	120	1.1417	29	MU-1311-CHV	SO	7/16 Blind hole in O.D. (center)
2.1654	55	4.7244	120	1.1417	29	MU-1311-UGMR	NS	
2.1654	55	4.7244	120	1.1417	29	MU-1311-UM	NS	
2.1654	55	4.7244	120	1.1417	29	MU-1311-UV	NS	
2.1654	55	4.7266		1.1417	29	MR-1311-EAHL	SI	3/8 Blind hole in O.D. (center)
2.1654	55	4.7266		1.1417	29	MR-1311-GTAVR	SI	Inner race has one flange with .040 x 45 degree chamfer on opposite flange
2.2510		5.1181	130	1.2205	31	MSNB-1312-GELR	SI	
2.2825		3.1510	80	0.6299	16	M-1010-EAHL	NS	9/32 Blind Hole in O.D. (center)
2.3038	56	3.9370	100	0.9843	25	MB-1212-GEXR	SI	
2.3522	60	5.1194		1.2205	31	MR-1312-EHL	SI	3/8 Blind hole in O.D. (center)
2.3616		5.1194		1.2205	31	* WRB-61312-EHX	SI	7/16 Blind hole in O.D. (center); IR-WRB61312; OR-W61312EHX
2.3622	60	2.7356		0.5509	14	MS-1012	NS	
2.3622	60	3.7419		0.7087	18	MR-1012-EAHL	S	9/32 Blind Hole in O.D. (center)
2.3622	60	4.3307	110	0.8661	22	MA-1212-EL	SI	
2.3622	60	4.3307	110	0.8661	22	* MR-1212-EHL	SI	9/32 Blind Hole in O.D. (center); IR-MR1212; OR-M1212EHL
2.3622	60	4.3307	110	0.8661	22	MR-1212-EL	SI	

* Available As Components Only

IR=Inner Race; OR=Outer Race

Cylindrical Roller Bearings

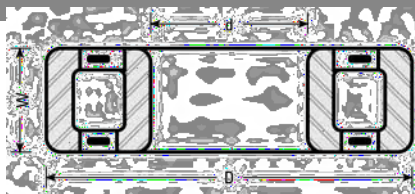
Size Listing - Continued



Bore d		O.D. D		Width W		Complete Bearing	Type	Comments #
Inch	mm	Inch	mm	Inch	mm			
2.3622	60	4.3307	110	1.4375		MA-5212-EL	SI	
2.3622	60	4.3307	110	1.4375		MR-5212-EL	SI	
2.3622	60	4.3307	110	2.1875		* MAB-1212-EHL	SI	
2.3622	60	4.3307	110	2.1875		* MAB-1212-EL	SI	3/32 x 45 degree chamfer both ends; IR-MAB1212; OR-M1212EL
2.3622	60	4.3327		2.1875		* MAB-1212-EAHL	SI	5/16 Blind hole in O.D. (center)
2.3622	60	4.3329		0.8661	22	MU-1212-DAL	SO	Outer race O.D. .0022 oversize
2.3622	60	4.5815	116	0.8661	22	MSN-1212-GEXR	SI	
2.3622	60	5.1181	130	1.2205	31	MA-1312-EL	SI	
2.3622	60	5.1181	130	1.2205	31	MR-1312-EL	SI	
2.3622	60	5.1181	130	1.2205	31	MSN-1312-EL	SI	
2.3622	60	5.1181	130	1.2205	31	MU-1312-CHV	SO	7/16 Blind hole in O.D. (center)
2.3622	60	5.1181	130	1.2205	31	MU-1312-DV	SO	
2.3622	60	5.1181	130	1.2205	31	MU-1312-TM	NS	
2.3622	60	5.1181	130	1.2205	31	MU-1312-UM	NS	
2.3622	60	5.1204		1.2205	31	MR-1312-GEALR	SI	
2.3829		3.5433	90	0.7874	20	M-1210-EX	NS	
2.3836		3.5449		0.7874	20	M-1210-EAHL	NS	9/32 Blind Hole in O.D. (center)
2.4994		3.0522	78	1.2205	31	MRB-1312-EL	NS	
2.4999		5.1194		1.2205	31	* WRC-61312-EHX	SI	7/16 Blind hole in O.D. (center); IR-WRC61312; OR-W61312EHX
2.5583		3.5710		1.2992	33	MRD-1313-EL	NS	
2.5591	65	3.9370	100	0.7940	20	MU-1013-SWV	SO	
2.5591	65	3.9388	100	0.7087	18	MU-1013-DAV	SO	
2.5591	65	4.1632		0.9055	23	MU-1213-L	NS	
2.5591	65	4.7244	120	0.9055	23	MA-1213-EL	SI	
2.5591	65	4.7244	120	0.9055	23	MR-1213-EL	SI	
2.5591	65	4.7244	120	1.5000		MA-5213-EX	SI	
2.5591	65	4.7759		1.2992	33	MU-1313-V	NS	
2.5591	65	5.1060	130	0.9055	23	MSN-1213-GEJR	SI	
2.5591	65	5.1204		1.4961	38	* WRE-68215-EAHX	SI	7/16 Blind hole in O.D. (center); IR-WRE68215; IR-W68215EAHX
2.5591	65	5.5118	140	1.2992	33	* MA-1313-EHL	SI	7/16 Blind hole in O.D. (center); IR-MA1313; OR-M1313EHL

Cylindrical Roller Bearings

Size Listing - Continued



Bore d		O.D. D		Width W		Complete Bearing	Type	Comments #
Inch	mm	Inch	mm	Inch	mm			
2.5591	65	5.5118	140	1.2992	33	MA-1313-EL	SI	
2.5591	65	5.5118	140	1.2992	33	MR-1313-EJ	SI	
2.5591	65	5.5118	140	1.2992	33	MR-1313-EL	SI	
2.5591	65	5.5118	140	1.2992	33	MU-1313-CHL	SO	7/16 Blind hole in O.D. (center)
2.5591	65	5.5118	140	1.2992	33	MU-1313-UM	NS	
2.5591	65	5.5118	140	1.5000		MU-1313-CHWL	SO	3/8 Blind hole in O.D. (center)
2.5591	65	5.5118	140	1.6535	42	* MU-7313-CHLB	SO	7/16 Blind hole in O.D. (center); IR-MU7313L; OR-M7313CHB
2.5591	65	5.5118	140	2.3125		MA-5313-EL	SI	
2.5591	65	5.5141		1.2992	33	MR-1313-EAHL	SI	3/8 Blind hole in O.D. (center)
2.5591	65	5.5141		1.5748	40	* MRB-7313-EAHL	SI	7/16 Blind hole in O.D. (center); IR-MRB7313; OR-M7313EAHL
2.5591	65	5.5188	140	1.2992	33	MU-1313-CHV	SO	7/16 Blind hole in O.D. (center)
2.5667		4.3307	110	1.7500		M-5310-EL	NS	
2.7546		5.9068		1.3780	35	* WRB-61314-EHBX	SI	7/16 Blind hole in O.D. (center); IR-WRB61312; OR-W61314EHBX
2.7559	70	4.3329		0.7874	20	* MR-1014-EAHL	SI	9/32 Blind Hole in O.D. (center); IR-MR1014; OR-M1014EAHL
2.7559	70	4.9213	125	0.9449	24	MA-1214-EL	SI	
2.7559	70	4.9213	125	1.5625		MA-5214-EL	SI	
2.7559	70	4.9236		0.9449	24	MU-1214-DAL	SO	
2.7559	65	5.5118	140	1.2992	33	MRB-1313-EL	SI	
2.7559	70	5.9055	150	1.3780	35	MR-1314-EL	SI	
2.7559	70	5.9055	150	1.3780	35	MSN-1314-GELR	SI	Snap Ring Supplied
2.7559	70	5.9055	150	1.3780	35	MU-1314-CHSV	SO	7/16 Blind hole in O.D. (center)
2.7559	70	5.9055	150	1.3780	35	MU-1314-UM	NS	
2.7559	70	5.9068		1.3780	35	MR-1314-EHL	SI	7/16 Blind hole in O.D. (center)
2.7559	70	5.9081		1.3780	35	* MU-1314-DAHV	SO	7/16 Blind hole in O.D. (center); IR-MU1314V; OR-M1314DAH
2.7559	70	5.9081		1.7500		* MU-7314-CAHBL	SO	7/16 Blind hole in O.D. (center); IR-MU7314L; OR-M7314CAHB
2.8519		4.3307	110	0.8661	22	M-1212-EL	NS	
2.9516		4.0520	102	1.8110	46	WRB-67315-EAHBX	NS	7/16 Blind hole in O.D. (center)
2.9516		6.2992	160	1.4567	37	MRB-1315-EL	SI	
2.9516		6.3030		1.4567	37	* MRB-1315-EAHL	SI	7/16 Blind hole in O.D. (center); IR-MRB131

* Available As Components Only

IR=Inner Race; OR=Outer Race

Cylindrical Roller Bearings

Size Listing - Continued



Bore d		O.D. D		Width W		Complete Bearing	Type	Comments #
Inch	mm	Inch	mm	Inch	mm			
2.9519		4.5298		0.9300		* MRB-1015-EAHL	SI	9/32 Blind Hole in O.D. (center); IR-MRB1015; OR-M1015EAHL
2.9528	75	4.5276	115	0.8780		MU-1015-DBV	SO	
2.9528	75	4.5289		0.8780		MU-1015-DCV	SO	
2.9528	75	4.5298		0.7874	20	MU-1015-DAHV	SO	
2.9528	75	5.1181	130	0.9843	25	MA-1215-EL	SI	
2.9528	75	5.1181	130	0.9843	25	MR-1215-EL	SI	
2.9528	75	5.1181	130	0.9843	25	MU-1215-TM	NS	
2.9528	75	5.1181	130	1.6250		MA-5215-EX	SI	
2.9528	75	6.2992	160	1.4567	37	MA-1315-EL	SI	
2.9528	75	6.3020		1.4567	37	* MA-1315-EAHL	SI	7/16 Blind hole in O.D. (center); IR-MA1315; OR-M1315EAHL
2.9528	75	6.3020		1.8110	46	* MRB-7315-EAHL	SI	7/16 Blind hole in O.D. (center); IR-MRB7315; OR-M7315EAHL
3.0580	78	5.1994	130	1.2205	31	M-1312-EHL	NS	
3.0595		3.5449		0.7393		* M-1308-SAH	NS	5/16 Blind hole in O.D. (center)
3.1465		6.6967		1.6000		* MRB-1316-EHL	SI	IR-MRB1316; OR-M1316EHL
3.1480		5.9081		1.3780	35	* WRB-67217-EAHX	SI	7/16 Blind hole in O.D. (center); IR-WRB67217; W67217EAHX
3.1496	80	4.9213	125	0.9785		MU-1016-SWL	SO	Outer race plate .1124 wider than standard
3.1496	80	5.5118	140	1.0236	26	MA-1216-EL	SI	
3.1496	80	5.5118	140	1.0236	26	MR-1216-EL	SI	
3.1496	80	5.5118	140	1.7500		MA-5216-EX	SI	
3.1496	80	6.6929	170	1.5354	39	MA-1316-EL	SI	
3.2990		5.5118	140	1.2992	33	M-1313-EHX	NS	7/16 Blind hole in O.D. (center)
3.2990		5.5141		1.2992	33	M-1313-EAHX	NS	7/16 Blind hole in O.D. (center)
3.3465	85	5.1204		0.8661	22	MS-1017-EAHL	SI	9/32 Blind hole in O.D. (center)
3.3465	85	5.9055	150	1.1024	28	MA-1217-EL	SI	
3.3465	85	5.9055	150	1.9375		MA-5217-EL	SI	
3.3465	85	5.9055	150	1.9375	49	MA-5217-EX	SI	
3.3465	85	5.9055	150	2.1250		* MAB-1217-EL	SI	5/32 x 45 degree chamfer on both ends of bore
3.3465		6.4564		1.6142	41	WUF-67220-X	NS	

Cylindrical Roller Bearings

Size Listing - Continued



Bore d		O.D. D		Width W		Complete Bearing	Type	Comments #
Inch	mm	Inch	mm	Inch	mm			
3.3465	85	7.0866	180	1.6142	41	* MR-1317-EHL	SI	7/16 Blind hole in O.D. (center); IR-MR1317; OR-M1317EHL
3.3465	85	7.0866	180	1.6142	41	MR-1317-EL	SI	
3.3465	85	7.0894		1.6142	41	* MU-1317-DAHL	SO	7/16 blind hole in O.D. (center); IR-MU1317L; M1317DAH
3.3689		3.7419		0.7087	18	M-1012-CA	NS	
3.3899		3.9370	100	0.8200		M-1309-SH	NS	
3.3920		4.2600		0.9843	25	M-1309-DHB	NS	5/16 Blind hole in O.D. (center)
3.4390		3.9340		0.2620		M-1013-W	NS	
3.5433	90	6.2992	160	1.1811	30	MA-1218-EL	SI	
3.5433	90	6.2992	160	1.1811	30	MR-1218-EL	SI	
3.5433	90	6.2992	160	1.1811	30	MU-1218-TM	NS	
3.5433	90	6.2992	160	1.3386	34	MU-1218-TDHM	NS	
3.5433	90	6.2992	160	2.0625		MA-5218-EHV	SI	7/16 Blind hole in O.D. (center)
3.5433	90	7.4803	190	1.6929	43	* MR-1318-EHX	SI	7/16 Blind hole in O.D. (center); IR-MR1318; OR-M1318EHX
3.5483		6.5088		1.8504	47	RU-1547-L	NS	
3.5646		3.9370	100	0.5320		M-1013-S	NS	
3.5661		3.9388		0.7087	18	M-1013-DAH	NS	9/32 Blind Hole in O.D. (center)
3.7229		6.3020		1.8110	46	WR-67315-EAHBX	NS	7/16 Blind hole in O.D. (center)
3.7402	95	6.6929	170	1.1811	30	WSN-61219-EV	SI	
3.7402	95	6.6929	170	2.1875		MA-5219-EL	SI	
3.7402	95	6.6957		1.2598	32	WU-61219-CAHV	SO	7/16 Blind hole in O.D. (center)
3.9365		7.0894		1.6142	41	* WRC-67220-EAHX	SI	7/16 Blind hole in O.D. (center); IR-WRC67220; OR-W67220EAHX
3.9370	100	7.0866	180	1.3386	34	MR-1220-EL	SI	
3.9370	100	7.0866	180	2.3750		MA-5220-EX	SI	
3.9370	100	8.4646	215	2.0472	52	RR-1522-EHL	SI	7/16 Blind hole in O.D. (center)

Cylindrical Roller Bearings

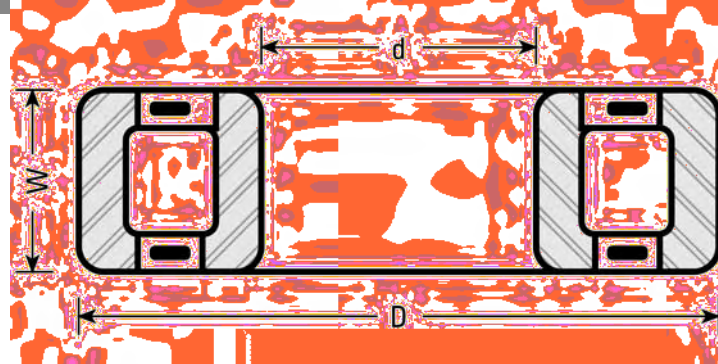
Size Listing - Continued



Bore d		O.D. D		Width W		Complete Bearing	Type	Comments #
Inch	mm	Inch	mm	Inch	mm			
3.9370	100	8.4680		2.3622	60	* WU-67320-SAHX	SO 7/16 Blind hole in O.D. (center); IR-WU67320X; OR-W67320SAH	
4.0790	104	4.7244	120	0.9350		M-1311-SH	NS 7/16 Blind hole in O.D. (center)	
4.1339	105	5.7113		0.7874	20	* MU-1921-DAHV	SO 9/32 Blind Hole in O.D. (center); IR-MU1921V; OR-M1921DAH	
4.1339	105	7.4803	190	1.4173	36	MU-1221-UM	NS	
4.1679		4.7266		0.9055	23	M-1213-CAH	NS 5/16 Blind hole in O.D. (center)	
4.3302		7.8771		2.0866	53	* WRB-62222-EAHX	SI IR-WRB62222; OR-W62222EAHX;	
4.3307	110	5.9081		0.7874	20	* MU-1922-DAHV	SO 9/32 Blind Hole in O.D. (center); IR-MU1922V; OR-M1922DAH	
4.3307	110	7.8740	200	2.7500		MA-5222-EL	SI	
4.7244	120	6.4989		0.8661	22	* MU-1924-DAHV	SO 9/32 Blind Hole in O.D. (center); IR-MU1924V; OR-M1924DAH	
4.7244	120	8.4646	215	3.0000		* MA-5224-EL	SI IR-MA5224; M5224EL	
5.1181	130	7.0894		0.9449	24	* MR-1926-EAHL	SI 5/16 Blind hole in O.D. (center); IR-MR1926; OR-M1926EAHL	
5.1181	130	7.0894		0.9449	24	* MU-1926-DAHV	SO 5/16 Blind hole in O.D. (center); IR-MU1926V; OR-M1926DAH	
5.1181	130	7.8740	200	1.2992	33	MU-1026-DHL	SO 7/16 Blind hole in O.D. (center)	
5.1181	130	9.0551	230	3.1250	79	MA-5226-EX	SI	
6.4632		7.0894		1.6142	41	W-67220-DAH	NS 7/16 Blind hole in O.D. (center)	
6.6929	170	9.0587		1.4567	37	* MU-1934-DEV	SO IR-MU1934V; OR-M1934DE	
7.0866	180	11.0276	280	2.0600		* WUC-61036-CHBV	SO 7/16 Blind hole in O.D. (center); IR-WUC61036V; OR-W61036CHB	
8.2500		12.2047	310	2.0079	51	RUB-1523-DV	SO	

Cylindrical Roller Bearings

Numerical Listing



Complete Bearing	Bore d		O.D. D		Width W		Type	Comments #
	Inch	mm	Inch	mm	Inch	mm		
M-1010-EAHL	2.2825		3.1510	80	0.6299	16	NS	9/32 Blind Hole in O.D. (center)
MU-1010-V	1.9685	50	3.1496	80	0.6299	16	NS	
M-1012-CA	3.3689		3.7419		0.7087	18	NS	
MR-1012-EAHL	2.3622	60	3.7419		0.7087	18	S	9/32 Blind Hole in O.D. (center)
MS-1012	2.3622	60	2.7356		0.5509	14	NS	
M-1013-DAH	3.5661		3.9388		0.7087	18	NS	9/32 Blind Hole in O.D. (center)
M-1013-S	3.5646		3.9370	100	0.5320		NS	
MU-1013-DAV	2.5591	65	3.9388	100	0.7087	18	SO	
MU-1013-SWV	2.5591	65	3.9370	100	0.7940	20	SO	
M-1013-W	3.4390		3.9340		0.2620		NS	
* MR-1014-EAHL	2.7559	70	4.3329		0.7874	20	SI	9/32 Blind Hole in O.D. (center); IR-MR1014; OR-M1014EAHL
* MRB-1015-EAHL	2.9519		4.5298		0.9300		SI	9/32 Blind Hole in O.D. (center); IR-MRB1015; OR-M1015EAHL
MU-1015-DAHV	2.9528	75	4.5298		0.7874	20	SO	
MU-1015-DBV	2.9528	75	4.5276	115	0.8780		SO	
MU-1015-DCV	2.9528	75	4.5289		0.8780		SO	
MU-1016-SWL	3.1496	80	4.9213	125	0.9785		SO	Outer race plate .1124 wider than standard
MS-1017-EAHL	3.3465	85	5.1204		0.8661	22	SI	9/32 Blind hole in O.D. (center)
MU-1026-DHL	5.1181	130	7.8740	200	1.2992	33	SO	7/16 Blind hole in O.D. (center)
M-1204-TV	1.1102		1.8504	47	0.5512	14	NS	
MU-1204-JA	0.7874	20	1.6066		0.5512	14	NS	
MA-1205-EL	0.9843	25	2.0472	52	0.5906	15	SI	
MA-1205-TV	0.9843	25	2.0472	52	0.5906	15	SI	
MR-1205-EL	0.9843	25	2.0472	52	0.5906	15	SI	
MU-1205-L	0.9843	25	1.7646		0.5906	15	NS	
MU-1205-TM	0.9843	25	2.0472	52	0.5906	15	NS	
MA-1206-EF	1.1811	30	2.4409	62	0.6299	16	SI	
M-1206-EAHL	1.5012		1.4421		0.6299	16	NS	9/32 Blind Hole in O.D. (center)
MR-1206-EL	1.1811	30	2.4409	62	0.6299	16	SI	
MR-1206-GEL	1.1811	30	2.4409	62	0.6299	16	SI	
MR-1206-RUGV	1.1811	30	2.4409	62	0.6299	16	SI	

* Available As Components Only

IR=Inner Race; OR=Outer Race

Cylindrical Roller Bearings

Numerical Listing - Continued

Complete Bearing	Bore		O.D.		Width		Type	Comments #
	d Inch	d mm	D Inch	D mm	W Inch	W mm		
MU-1206-L	1.1811	30	2.1275	54	0.6299	16	NS	
MU-1206-TM	1.1811	30	2.4409	62	0.6299	16	NS	
MU-1206-UGV	1.1811	30	2.4409	62	0.6299	16	NS	
MA-1207-EL	1.3780	35	2.8346	72	0.6693	17	SI	
M-1207-EAHL	1.7344		2.8359		0.6693	17	NS	9/32 Blind Hole in O.D. (center)
MR-1207-EL	1.3780	35	2.8346	72	0.6693	17	SI	
MUB-1207-TM	1.3780	35	2.8346	72	0.6693	17	NS	Inner race radius is .156
MU-1207-CF	1.3780	35	2.8346	72	0.6693	17	SO	
MU-1207-TM	1.3780	35	2.8346	72	0.6693	17	NS	
MU-1207-TV	1.3780	35	2.8346	72	0.6693	17	NS	
MU-1207-TVK	1.3780	35	2.8346	72	0.6693	17	NS	Same as MU1207TV with the addition of a spacer on a nut
MU-1207-UGV	1.3780	35	2.8346	72	0.6693	17	NS	
MA-1208-EL	1.5748	40	3.1496	80	0.7087	18	SI	
MR-1208-EL	1.5748	40	3.1496	80	0.7087	18	SI	
MU-1208-DAL	1.5748	40	3.1510		0.7087	18	SO	
MU-1208-L	1.5748	40	2.1275	54	0.7087	18	NS	
MU-1208-TM	1.5748	40	3.1496	80	0.7087	18	NS	
MU-1208-UV	1.5748	40	3.1496	80	0.7087	18	NS	
CGM-1209-PPA	1.5748	40	4.2500		1.3070		NS	
CGM-1209-PPD	1.5748	40	4.0000		1.1250		NS	
MA-1209-EL	1.7717	45	3.3465	85	0.7480	19	SI	
MR-1209-EL	1.7717	45	3.3465	85	0.7480	19	SI	
MU-1209-CAHV	1.7717	45	3.3480		0.7480	19	SO	9/32 Blind hole in O.D. (center)
MU-1209-TM	1.7717	45	3.3465	85	0.7480	19	NS	
MU-1209-TV	1.7717	45	3.3465	85	0.7480	19	NS	
MU-1209-UBM	1.7717	45	3.3465	85	0.7480	19	NS	
MA-1210-EL	1.9685	50	3.5433	90	0.7874	20	SI	
M-1210-EAHL	2.3836		3.5449		0.7874	20	NS	9/32 Blind Hole in O.D. (center)
M-1210-EX	2.3829		3.5433	90	0.7874	20	NS	
MR-1210-EL	1.9685	50	3.5433	90	0.7874	20	SI	
MS-1210	1.9685	50	2.5180		0.6227		NS	
MA-1211-EL	2.1654	55	3.9370	100	0.8268	21	SI	
MA-1211-GEL	2.1654	55	3.9370	100	0.8268	21	SI	
MR-1211-EL	2.1654	55	3.9370	100	0.8268	21	SI	
MR-1211-GEL	2.1654	55	3.9370	100	0.8268	21	SI	Snap ring groove in O.D.
MSN-1211-REX	2.1654	55	3.9370	100	0.8268	21	SI	
MU-1211-GUM	2.1654	55	3.9370	100	0.8268	21	NS	
* MAB-1212-EAHL	2.3622	60	4.3327		2.1875		SI	5/16 Blind hole in O.D. (center)
* MAB-1212-EHL	2.3622	60	4.3307	110	2.1875		SI	
* MAB-1212-EL	2.3622	60	4.3307	110	2.1875		SI	3/32 x 45 degree chamfer both ends; IR-MAB1212; OR-M1212EL
MA-1212-EL	2.3622	60	4.3307	110	0.8661	22	SI	
MB-1212-GEXR	2.3038	56	3.9370	100	0.9843	25	SI	
M-1212-EL	2.8519		4.3307	110	0.8661	22	NS	

bearing
specification:
0010110111011100110101
0010110111011100110101

TIMKEN®

Cylindrical Roller Bearings

Numerical Listing - Continued

Complete Bearing	Bore		O.D.		Width		Type	Comments #
	d Inch	mm	D Inch	mm	W Inch	mm		
* MR-1212-EHL	2.3622	60	4.3307	110	0.8661	22	SI	9/32 Blind Hole in O.D. (center); IR-MR1212; OR-M1212EHL
MR-1212-EL	2.3622	60	4.3307	110	0.8661	22	SI	
MSN-1212-GEXR	2.3622	60	4.5815	116	0.8661	22	SI	
MU-1212-DAL	2.3622	60	4.3329		0.8661	22	SO	Outer race O.D. .0022 oversize
MA-1213-EL	2.5591	65	4.7244	120	0.9055	23	SI	
M-1213-CAH	4.1679		4.7266		0.9055	23	NS	5/16 Blind hole in O.D. (center)
MR-1213-EL	2.5591	65	4.7244	120	0.9055	23	SI	
MSN-1213-GEJR	2.5591	65	5.1060	130	0.9055	23	SI	
MU-1213-L	2.5591	65	4.1632		0.9055	23	NS	
MA-1214-EL	2.7559	70	4.9213	125	0.9449	24	SI	
MU-1214-DAL	2.7559	70	4.9236		0.9449	24	SO	
MA-1215-EL	2.9528	75	5.1181	130	0.9843	25	SI	
MR-1215-EL	2.9528	75	5.1181	130	0.9843	25	SI	
MU-1215-TM	2.9528	75	5.1181	130	0.9843	25	NS	
MA-1216-EL	3.1496	80	5.5118	140	1.0236	26	SI	
MR-1216-EL	3.1496	80	5.5118	140	1.0236	26	SI	
* MAB-1217-EL	3.3465	85	5.9055	150	2.1250		SI	5/32 x 45 degree chamfer on both ends of bore
MA-1217-EL	3.3465	85	5.9055	150	1.1024	28	SI	
MA-1218-EL	3.5433	90	6.2992	160	1.1811	30	SI	
MR-1218-EL	3.5433	90	6.2992	160	1.1811	30	SI	
MU-1218-TDHM	3.5433	90	6.2992	160	1.3386	34	NS	
MU-1218-TM	3.5433	90	6.2992	160	1.1811	30	NS	
MR-1220-EL	3.9370	100	7.0866	180	1.3386	34	SI	
MU-1221-UM	4.1339	105	7.4803	190	1.4173	36	NS	
MU-1280-GUMR	1.5748	40	3.4004	86	0.7087	18	NS	
M-1304-EL	1.1017		2.0472	52	0.5906	15	NS	
M-1304-TBV	1.1811	30	1.9685	50	0.6693	17	NS	
R-1304-BF	1.0004		2.0472	52	0.5906	15	NS	
MA-1305-EL	0.9843	25	2.4409	62	0.6693	17	SI	
MA-1305-TV	0.9843	25	2.4409	62	0.6693	17	SI	
M-1305-GEL	1.3388		2.4409	62	0.6693	17	NS	
M-1305-GGTV	1.3388		2.4409	62	0.6693	17	NS	
MR-1305-EL	0.9843	25	2.4409	62	0.6693	17	SI	
MUB-1305-TDM	1.0930		2.4409	62	0.7480	19	NS	
MUB-1305-UDM	1.0930		2.4409	62	0.7087	18	NS	
MU-1305-TCM	0.9843	25	2.4384		0.7480	19	NS	
MU-1305-TDM	0.9843	25	2.4409	62	0.7480	19	NS	
MU-1305-TM	0.9843	25	2.4409	62	0.6693	17	NS	
MA-1306-EL	1.1811	30	2.8346	72	0.7480	19	SI	
MR-1306-EL	1.1811	30	2.8346	72	0.7480	19	SI	
MU-1306-TDM	1.1811	30	2.8346	72	0.8268	21	NS	
MU-1306-UGV	1.1811	30	2.8346	72	0.7480	19	NS	
MU-1306-UM	1.1811	30	2.8346	72	0.7480	19	NS	
MU-1306-UV	1.1811	30	2.8346	72	0.7480	19	NS	

* Available As Components Only

IR=Inner Race; OR=Outer Race

Cylindrical Roller Bearings

Numerical Listing - Continued

Complete Bearing	Bore		O.D.		Width		Type	Comments #
	d Inch	mm	D Inch	mm	W Inch	mm		
MAB-1307-EL	1.3780	35	3.1496	80	1.0000		SI	
MA-1307-EL	1.3780	35	3.1496	80	0.8268	21	SI	
* MR-1307-EAHL	1.3780	35	3.1510		0.8268	21	SI	5/16 Blind hole in O.D. (center); IR-MR1307; OR-M1307EAHL
MR-1307-EBX	1.3780	35	3.3476	85	0.8268	21	SI	
MR-1307-EL	1.3780	35	3.1496	80	0.8268	21	SI	
MR-1307-EX	1.3780	35	3.1496	80	0.8268	21	SI	
MUB-1307-UBM	1.3776	35	3.1496	80	0.8661	22	NS	
MU-1307-DV	1.3870	35	3.1496	80	0.8268	21	SO	
MUSB-1307-UM	1.1811	30	3.1496	80	0.8268	21	NS	
MUS-1307-UM	1.1811	30	3.1496	80	0.8268	21	NS	
MU-1307-TM	1.3780	35	3.1496	80	0.8268	21	NS	
MU-1307-UM	1.3780	35	3.1496	80	0.8268	21	NS	
MA-1308-TV	1.5748	40	3.5433	90	0.9055	23	SI	
M-1308-EL	2.0612	52	3.5433	90	0.9055	23	NS	
MRB-1308-EL	1.3125	33	3.5433	90	0.9449	24	SI	
MRB-1308-TV	1.3125	33	3.5433	90	0.9449	24	SI	
MR-1308-EAL	1.5748	40	3.5449		0.9055	23	SI	
MR-1308-EHL	1.5748	40	3.5460		0.9055	23	SI	5/16 Blind Hole in O.D. (center)
MR-1308-EJ	1.5748	40	3.5433	90	0.9055	23	SI	
MR-1308-EL	1.5748	40	3.5433	90	0.9055	23	SI	
* MR-1308-GEL	1.5748	40	3.5433	90	0.9055	23	SI	IR-MR1308; OR-M1308GEL
MR-1308-TV	1.5748	40	3.5433	90	0.9055	23	SI	
* M-1308-SAH	3.0595		3.5449		0.7393		NS	5/16 Blind hole in O.D. (center)
MUB-1308-UM	1.3780	35	3.5433	90	0.9055	23	NS	
MU-1308-CHL	1.5748	40	3.5433	90	0.9055	23	SO	9/32 Blind Hole in O.D. (center)
MUC-1308-J	1.5748	40	3.0560		0.8755		NS	
MU-1308-GUMBR	1.5748	40	4.1071	104	0.9055	23	NS	
MU-1308-GUMR	1.5748	40	3.7933	96	0.9055	23	NS	
MUS-1308-UM	1.3780	35	3.5433	90	0.9055	23	NS	
MU-1308-TV	1.5748	40	3.5433	90	0.9055	23	NS	
MU-1308-UM	1.5748	40	3.5433	90	0.9055	23	NS	
MA-1309-EL	1.7717	45	3.9370	100	0.9843	25	SI	
M-1309-DHB	3.3920		4.2600		0.9843	25	NS	5/16 Blind hole in O.D. (center)
MR-1309-EAL	1.7717	45	3.9388		0.9843	25	SI	
MR-1309-EHL	1.7717	45	3.9395		0.9843	25	SI	9/32 Blind hole in O.D. (center)
MR-1309-EL	1.7717	45	3.9370	100	0.9843	25	SI	
MS-1309-GEXR	1.7717	45	3.9370	100	0.9843	25	SI	
M-1309-SH	3.3899		3.9370	100	0.8200		NS	
MSN-1309-GEXR	1.7717	45	4.1875	106	0.9843	25	SI	
MUB-1309-UM	1.7717	45	3.9370	100	0.9843	25	NS	
* MU-1309-CAHV	1.7717	45	3.9388		0.9843	25	SO	IR-MU1309V; OR-M1309CAH
MU-1309-CHV	1.7717	45	3.9370	100	1.1250		SO	7/16 Blind hole in O.D. (center)
MUC-1309-UM	1.5748	40	3.9370	100	0.9843	25	NS	
MU-1309-CV	1.7717	45	3.9370	100	0.9843	25	SO	

Cylindrical Roller Bearings

Numerical Listing - Continued

Complete Bearing	Bore		O.D.		Width		Type	Comments #
	d Inch	mm	D Inch	mm	W Inch	mm		
MU-1309-DAV	1.7717	45	3.9388		0.9843	25	SO	
MU-1309-SGNV	1.7717	45	3.9370	100	0.9843	25	NS	
MU-1309-SHNV	1.7717	45	3.9370	100	0.9843	25	SO	5/16 Blind hole in O.D. (center)
MUS-1309-TM	1.5748	40	3.9370	100	0.9843	25	NS	
MU-1309-UGM	1.7717	45	3.9370	100	0.9843	25	NS	5/16 Blind hole in O.D. (center)
MU-1309-UM	1.7717	45	3.9370	100	0.9843	25	NS	
MU-1309-UV	1.7717	45	3.9370	100	0.9843	25	NS	
MA-1310-EL	1.9685	50	4.3307	110	1.0630	27	SI	
MR-1310-EX	1.9685	50	4.3307	110	1.0630	27	SI	
MSN-1310-EAJ	1.9685	50	4.3329	110	1.0630	27	SI	
MU-1310-UM	1.9685	50	4.3307	110	1.0630	27	NS	
MU-1310-UV	1.9685	50	4.3307	110	1.0630	27	NS	
MA-1311-EL	2.1654	55	4.7244	120	1.1417	29	SI	
MR-1311-EAHL	2.1654	55	4.7266		1.1417	29	SI	3/8 Blind hole in O.D. (center)
MR-1311-EL	2.1654	55	4.7244	120	1.1417	29	SI	
MR-1311-GTAVR	2.1654	55	4.7266		1.1417	29	SI	Inner race has one flange with .040 x 45 degree chamfer on opposite flange
M-1311-SH	4.0790	104	4.7244	120	0.9350		NS	7/16 Blind hole in O.D. (center)
MSN-1311-GELR	2.1654	55	4.7244	120	1.1417	29	SI	Snap ring groove on O.D., snap ring supplied
MU-1311-CHV	2.1654	55	4.7244	120	1.1417	29	SO	7/16 Blind hole in O.D. (center)
MU-1311-UGMR	2.1654	55	4.7244	120	1.1417	29	NS	
MU-1311-UM	2.1654	55	4.7244	120	1.1417	29	NS	
MU-1311-UV	2.1654	55	4.7244	120	1.1417	29	NS	
MU-1311-V	2.1654	55	4.0769		1.1417	29	NS	
MA-1312-EL	2.3622	60	5.1181	130	1.2205	31	SI	
M-1312-EHL	3.0580	78	5.1994	130	1.2205	31	NS	
MRB-1312-EL	2.4994		3.0522	78	1.2205	31	NS	
MR-1312-EHL	2.3522	60	5.1194		1.2205	31	SI	3/8 Blind hole in O.D. (center)
MR-1312-EL	2.3622	60	5.1181	130	1.2205	31	SI	
MR-1312-GEALR	2.3622	60	5.1204		1.2205	31	SI	
MSNB-1312-GELR	2.2510		5.1181	130	1.2205	31	SI	
MSN-1312-EL	2.3622	60	5.1181	130	1.2205	31	SI	
MU-1312-CHV	2.3622	60	5.1181	130	1.2205	31	SO	7/16 Blind hole in O.D. (center)
MU-1312-DV	2.3622	60	5.1181	130	1.2205	31	SO	
MU-1312-TM	2.3622	60	5.1181	130	1.2205	31	NS	
MU-1312-UM	2.3622	60	5.1181	130	1.2205	31	NS	
* MA-1313-EHL	2.5591	65	5.5118	140	1.2992	33	SI	7/16 Blind hole in O.D. (center); IR-MA1313; OR-M1313EHL
MA-1313-EL	2.5591	65	5.5118	140	1.2992	33	SI	
M-1313-EAHX	3.2990		5.5141		1.2992	33	NS	7/16 Blind hole in O.D. (center)
M-1313-EHX	3.2990		5.5118	140	1.2992	33	NS	7/16 Blind hole in O.D. (center)
MRB-1313-EL	2.7559	65	5.5118	140	1.2992	33	SI	
MRD-1313-EL	2.5583		3.5710		1.2992	33	NS	
MR-1313-EAHL	2.5591	65	5.5141		1.2992	33	SI	3/8 Blind hole in O.D. (center)
MR-1313-EJ	2.5591	65	5.5118	140	1.2992	33	SI	

* Available As Components Only

IR=Inner Race; OR=Outer Race

Cylindrical Roller Bearings

Numerical Listing - Continued

Complete Bearing	Bore		O.D.		Width		Type	Comments #
	d Inch	d mm	D Inch	D mm	W Inch	W mm		
MR-1313-EL	2.5591	65	5.5118	140	1.2992	33	SI	
MU-1313-CHL	2.5591	65	5.5118	140	1.2992	33	SO	7/16 Blind hole in O.D. (center)
MU-1313-CHV	2.5591	65	5.5188	140	1.2992	33	SO	7/16 Blind hole in O.D. (center)
MU-1313-CHWL	2.5591	65	5.5118	140	1.5000		SO	3/8 Blind hole in O.D. (center)
MU-1313-UM	2.5591	65	5.5118	140	1.2992	33	NS	
MU-1313-V	2.5591	65	4.7759		1.2992	33	NS	
MR-1314-EHL	2.7559	70	5.9068		1.3780	35	SI	7/16 Blind hole in O.D. (center)
MR-1314-EL	2.7559	70	5.9055	150	1.3780	35	SI	
MSN-1314-GELR	2.7559	70	5.9055	150	1.3780	35	SI	Snap Ring Supplied
MU-1314-CHSV	2.7559	70	5.9055	150	1.3780	35	SO	7/16 Blind hole in O.D. (center)
* MU-1314-DAHV	2.7559	70	5.9081		1.3780	35	SO	7/16 Blind hole in O.D. (center); IR-MU1314V; OR-M1314DAH
MU-1314-UM	2.7559	70	5.9055	150	1.3780	35	NS	
* MA-1315-EAHL	2.9528	75	6.3020		1.4567	37	SI	7/16 Blind hole in O.D. (center); IR-MA1315; OR-M1315EAHL
MA-1315-EL	2.9528	75	6.2992	160	1.4567	37	SI	
* MRB-1315-EAHL	2.9516		6.3030		1.4567	37	SI	7/16 Blind hole in O.D. (center); IR-MRB131
MRB-1315-EL	2.9516		6.2992	160	1.4567	37	SI	
MA-1316-EL	3.1496	80	6.6929	170	1.5354	39	SI	
* MRB-1316-EHL	3.1465		6.6967		1.6000		SI	IR-MRB1316; OR-M1316EHL
* MR-1317-EHL	3.3465	85	7.0866	180	1.6142	41	SI	7/16 Blind hole in O.D. (center); IR-MR1317; OR-M1317EHL
MR-1317-EL	3.3465	85	7.0866	180	1.6142	41	SI	
* MU-1317-DAHL	3.3465	85	7.0894		1.6142	41	SO	7/16 blind hole in O.D. (center); IR-MU1317L; M1317DAH
* MR-1318-EHX	3.5433	90	7.4803	190	1.6929	43	SI	7/16 Blind hole in O.D. (center); IR-MR1318; OR-M1318EHX
R-1500-EL	1.5800		2.4062		0.7500		NS	
* RA-1502-EL	1.5308		2.7818		1.3440		SI	IR-RA1502; OR-R1502EL
RR-1522-EHL	3.9370	100	8.4646	215	2.0472	52	SI	7/16 Blind hole in O.D. (center)
RUB-1523-DV	8.2500		12.2047	310	2.0079	51	SO	
R-1535-TAV	1.1092		1.8504		0.6560		NS	
RU-1547-L	3.5483		6.5088		1.8504	47	NS	
RU-1549-L	1.1806		2.4397		0.6299	16	NS	
R-1558-TAV	0.7515		1.2508		0.6050		NS	
TRP-1559-TV	1.6180		2.5778		1.3030		NS	Repair Bearing
R-1561-TV	1.7055		2.9920		1.1950		NS	
TFO-1561-R	1.7040		3.0376		1.3200		NS	Repair Bearing
TGM-1561-R	1.7040		3.0876		1.3200		NS	Repair Bearing
* RA-1562-EBL	1.1807		2.8356		1.1875		SI	IR-RA1562; OR-R1562EBL
TRP-1563-TAV	1.3990		2.2948		1.2110		NS	Repair Bearing
RA-1567-EBL	1.3775		3.1506		1.3750		MA	Matched Assembly
RUB-1570-UM	1.1811	30	2.8346	72	0.8130		NS	
RU-1570-UBM	1.3776		2.8646	72	0.8130		NS	
RU-1570-UM	1.3780	35	2.8346	72	0.8130		NS	

Cylindrical Roller Bearings

Numerical Listing - Continued

Complete Bearing	Bore		O.D.		Width		Type	Comments #
	d		D		W			
	Inch	mm	Inch	mm	Inch	mm		
RA-1572-EBL	1.7712		3.9384		1.5625		MA	Matched Assembly
RUB-1580-EBFR	1.6248		3.1496	80	1.0830		NS	Locking collar supplied; Overall width with retainer 1.3370
R-1581-TV	1.2370		2.0472	52	0.7650		NS	
RSN-1584-EV	1.7717	45	3.1496	80	1.5294		SI	
* MU-1921-DAHV	4.1339	105	5.7113		0.7874	20	SO	9/32 Blind Hole in O.D. (center); IR-MU1921V; OR-M1921DAH
* MU-1922-DAHV	4.3307	110	5.9081		0.7874	20	SO	9/32 Blind Hole in O.D. (center); IR-MU1922V; OR-M1922DAH
* MU-1924-DAHV	4.7244	120	6.4989		0.8661	22	SO	9/32 Blind Hole in O.D. (center); IR-MU1924V; OR-M1924DAH
* MR-1926-EAHL	5.1181	130	7.0894		0.9449	24	SI	5/16 Blind hole in O.D. (center); IR-MR1926; OR-M1926EAHL
* MU-1926-DAHV	5.1181	130	7.0894		0.9449	24	SO	5/16 Blind hole in O.D. (center); IR-MU1926V; OR-M1926DAH
* MU-1934-DEV	6.6929	170	9.0587		1.4567	37	SO	IR-MU1934V; OR-M1934DE
MUB-1956-V	11.0236	280	13.9620		1.8110	46	NS	
MR-5106-EV	1.1811	30	2.2835	58	0.7874	20	SI	
C-5107-EV	1.3046		2.0100		0.6500		NS	
M-5204-TV	1.1096		1.8504	47	0.8125		NS	
MUB-5204-TM	0.7874	20	1.8504	47	0.8125		NS	Inner race radius .040 oversize
MA-5205-EL	0.9843	25	2.0472	52	0.8125		SI	
MR-5205-EL	0.9843	25	2.0472	52	0.8125		SI	
MUB-5205-UM	0.9843	25	2.0472	52	0.8125		NS	Inner race radius .065 oversize
MU-5205-CL	0.9843	25	2.0472	52	0.8125		SO	
MA-5206-EL	1.1811	30	2.4409	62	0.9375		SI	
MR-5206-EL	1.1811	30	2.4409	62	0.9375		SI	
MUB-5206-UM	1.1811	30	2.4409	62	0.9375		NS	Inner race radius .065 oversize
MU-5206-L	1.1811	30	2.1275		0.9375		NS	
MA-5207-EL	1.3780	35	2.8346	72	1.0625		SI	
MU-5207-CL	1.3780	35	2.8346	72	1.0625		SO	
MU-5207-UM	1.3780	35	2.8346	72	1.0625		NS	
MA-5208-EL	1.5748	40	3.1496	80	1.1875		SI	
MR-5208-EL	1.5748	40	3.1496	80	1.1875		SI	
MU-5208-UM	1.5748	40	3.1496	80	1.1875		NS	
MA-5209-EL	1.7717	45	3.3465	85	1.1875		SI	
MAR-5209	1.7717	45	2.1858		1.4060		NS	
MR-5209-EL	1.7717	45	3.3465	85	1.1875		SI	
MA-5210-EL	1.9685	50	3.5433	90	1.1875		SI	
* MA-5211-EHL	2.1654	55	3.9370	100	1.3125		SI	5/16 Blind hole in O.D. (center); IR-MR5211; OR-M5211EHL
MA-5211-EX	2.1654	55	3.9370	100	1.3125		SI	
* MR-5211-EHL	2.1654	55	3.9370	100	1.3125		SI	5/16 Blind hole in O.D. (center); IR-MR5211; OR-M5211EHL
* MR-5211-EL	2.1654	55	3.9370	100	1.3125		SI	IR-MR5211; OR-M5211EX
MA-5212-EL	2.3622	60	4.3307	110	1.4375		SI	

* Available As Components Only

IR=Inner Race; OR=Outer Race

Cylindrical Roller Bearings

Numerical Listing - Continued

Complete Bearing	Bore		O.D.		Width		Type	Comments #
	d Inch	mm	D Inch	mm	W Inch	mm		
MR-5212-EL	2.3622	60	4.3307	110	1.4375		SI	
MA-5213-EX	2.5591	65	4.7244	120	1.5000		SI	
MA-5214-EL	2.7559	70	4.9213	125	1.5625		SI	
MA-5215-EX	2.9528	75	5.1181	130	1.6250		SI	
MA-5216-EX	3.1496	80	5.5118	140	1.7500		SI	
MA-5217-EL	3.3465	85	5.9055	150	1.9375		SI	
MA-5217-EX	3.3465	85	5.9055	150	1.9375	49	SI	
MA-5218-EHV	3.5433	90	6.2992	160	2.0625		SI	7/16 Blind hole in O.D. (center)
MA-5219-EL	3.7402	95	6.6929	170	2.1875		SI	
MA-5220-EX	3.9370	100	7.0866	180	2.3750		SI	
MA-5222-EL	4.3307	110	7.8740	200	2.7500		SI	
* MA-5224-EL	4.7244	120	8.4646	215	3.0000		SI	IR-MA5224; M5224EL
MA-5226-EX	5.1181	130	9.0551	230	3.1250	79	SI	
MSNB-5305-GTBV	0.9843	25	2.3228	59	0.9449	24	SI	
M-5305-TV	1.3400		2.4409	62	1.0000		NS	
RS-5305-W	1.2506		2.4419		1.0620		NS	
MA-5306-EL	1.1811	30	2.8346	72	1.1875	30	MA	Matched Assembly
MA-5307-EL	1.3780	35	3.1496	80	1.3750		SI	
M-5310-EL	2.5667		4.3307	110	1.7500		NS	
MA-5313-EL	2.5591	65	5.5118	140	2.3125		SI	
CS-5704-EM	0.7500		2.2500		0.9950		MA	Match Assembly - Chain Guide Bearing
5707	1.4016		2.2520		0.6980		NS	
M-6207-EL	1.7327		2.8346	72	2.1250		NS	
6408	1.6220		2.5310		0.8230		NS	
MU-7306-L	1.1811	30	2.3770		0.9055	23	NS	
MUB-7307-UM	1.3780	35	3.1496	80	1.0236	26	NS	
MUSB-7307-UM	1.1811	30	3.1496	80	1.0236	26	NS	
M-7308-EAHL	2.0629		3.5449		1.1811	30	NS	5/16 Blind hole in O.D. (center)
MU-7308-L	1.5748	40	3.0560		1.1811	30	NS	
MRB-7309	1.5745	40	2.3368	59	1.2220	31		
* MR-7309-EAHL	1.7717	45	3.9388		1.2205	31	SI	5/16 Blind hole in O.D. (center); IR-7309; OR-M7309EAHL
MUB-7309-UM	1.7715	45	3.9367	100	1.2160	31	NS	
* MRB-7313-EAHL	2.5591	65	5.5141		1.5748	40	SI	7/16 Blind hole in O.D. (center); IR-MRB7313; OR-M7313EAHL
* MU-7313-CHLB	2.5591	65	5.5118	140	1.6535	42	SO	7/16 Blind hole in O.D. (center); IR-MU7313L; OR-M7313CHB
* MU-7314-CAHBL	2.7559	70	5.9081		1.7500		SO	7/16 Blind hole in O.D. (center); IR-MU7314L; OR-M7314CAHB
* MRB-7315-EAHL	2.9528	75	6.3020		1.8110	46	SI	7/16 Blind hole in O.D. (center); IR-MRB7315; OR-M7315EAHL
CU-7508-TM	1.5739		2.9750		1.0000		NS	Chain Guide Bearing
RU-8509-TM	1.7500		3.3465	85	1.1250		NS	
CU-8907-TM	1.3780	35	4.0000		1.6250		NS	Chain Guide Bearing
RU-9008-UM	1.5748	40	3.5433	90	0.9843	25	NS	

Cylindrical Roller Bearings

Numerical Listing - Continued

Complete Bearing	Bore		O.D.		Width		Type	Comments #
	d		D		W			
	Inch	mm	Inch	mm	Inch	mm		
TRP-57509	1.3990		2.4869		1.4600		NS	Inner race width 1.3214 longer, 3/32 x 45 degree chamfer both ends, 5/16 blind hole in O.D. (center) Repair Bearing
TRP-59047	1.6180	41	2.8420	72	1.1650	29	NS	Repair Bearing
* WUC-61036-CHBV	7.0866	180	11.0276	280	2.0600		SO	7/16 Blind hole in O.D. (center); IR-WUC61036V; OR-W61036CHB
WR-61209-EX	1.7717	45	3.3464		0.7480	19	SO	
WSN-61219-EV	3.7402	95	6.6929	170	1.1811	30	SI	
WU-61219-CAHV	3.7402	95	6.6957		1.2598	32	SO	7/16 Blind hole in O.D. (center)
WU-61307-GUM	1.3780	35	3.1496	80	0.8268	21	NS	
* WRB-61312-EHX	2.3616		5.1194		1.2205	31	SI	7/16 Blind hole in O.D. (center); IR-WRB61312; OR-W61312EHX
* WRC-61312-EHX	2.4999		5.1194		1.2205	31	SI	7/16 Blind hole in O.D. (center); IR-WRC61312; OR-W61312EHX
* WRB-61314-EHBX	2.7546		5.9068		1.3780	35	SI	7/16 Blind hole in O.D. (center); IR-WRB61312; OR-W61314EHBX
* WRB-62222-EAHX	4.3302		7.8771		2.0866	53	SI	IR-WRB62222; OR-W62222EAHX;
* WRB-67217-EAHX	3.1480		5.9081		1.3780	35	SI	7/16 Blind hole in O.D. (center); IR-WRB67217; W67217EAHX
W-67220-DAH	6.4632		7.0894		1.6142	41	NS	7/16 Blind hole in O.D. (center)
* WRC-67220-EAHX	3.9365		7.0894		1.6142	41	SI	7/16 Blind hole in O.D. (center); IR-WRC67220; OR-W67220EAHX
WUF-67220-X	3.3465		6.4564		1.6142	41	NS	
WRB-67315-EAHBX	2.9516		4.0520	102	1.8110	46	NS	7/16 Blind hole in O.D. (center)
WR-67315-EAHBX	3.7229		6.3020		1.8110	46	NS	7/16 Blind hole in O.D. (center)
* WU-67320-SAHX	3.9370	100	8.4680		2.3622	60	SO	7/16 Blind hole in O.D. (center); IR-WU67320X; OR-W67320SAH
* WRE-68215-EAHX	2.5591	65	5.1204		1.4961	38	SI	7/16 Blind hole in O.D. (center); IR-WRE68215; IR-W68215EAHX
513008	1.8700		2.7812		1.0630	27	NS	
513023	1.3995		2.4400		0.8650		NS	
513067	1.6141	41	2.7952	71	1.0236	26	NS	

Drive Shaft/Center Support Bearings

Hanger Bearings w/Slingers



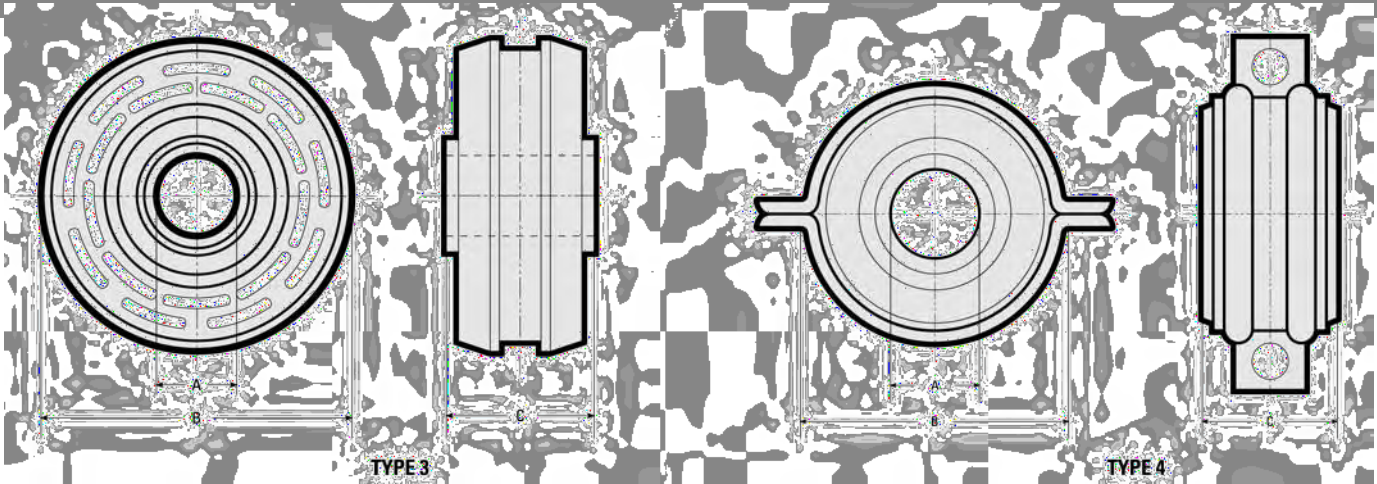
Bearing Number	Bore - A		Centerline - B Inch	Bolt Holes - C Inch	Type
	Inch	mm			
HBD-206-FF	1.181	30	1.950	5.900	2
HB-206-FF	1.181	30	3.500	-	1
HB-106-FF	1.260	32	1.910	5.913	2
HB-88107-A	1.378	35	2.250	6.625	2
HB-88107-B	1.378	35	2.250	6.625	2
HB-88107-C	1.378	35	2.250	6.625	2
HB-88107-D	1.378	35	2.250	6.625	2
HB-88107-E	1.378	35	2.250	6.625	2
HB-108	1.575	40	-	-	-
HB-88508	1.575	40	2.250	6.625	2
HB-88508-A	1.575	40	2.250	6.625	2
HB-88508-AA	1.575	40	2.250	6.625	2
HB-88508-AB	1.575	40	2.250	6.625	2
HB-88508-B	1.575	40	2.500	6.625	2
HB-88508-C	1.575	40	2.500	6.625	2
HB-88508-D	1.575	40	2.500	6.625	2
HB-88508-E	1.575	40	2.500	6.625	2
HB-88509	1.772	45	2.719	7.625	2
HB-88509-A	1.772	45	2.719	7.625	2
HB-88509B	1.772	45	2.719	7.625	2
HB-88509-C	1.772	45	2.719	7.625	2
HB-88510	1.969	50	2.813	7.625	2
HB-88512-A	2.362	60	3.375	8.625	2
HB-88512-AHD	2.362	60	3.375	8.625	2
HB-88512-AS	2.362	60	3.375	8.625	2

bearing
specification:
001011011101100110101
001011011101100110101

TIMKEN®

Drive Shaft/Center Support Bearings

Size Listing



"HB" Series

DRIVE SHAFT

Bearing Number	Bore - A		O.D. - B	Width - C	Type
	Inch	mm	Inch	Inch	
HB-1			3.875	2.000	3
HB-20	0.984	25	2.125	1.568	#
HB-21	0.984	25	2.132	1.538	#
HB-29	0.984	25	4.525	2.625	4
HB-11	1.181	30	4.182	2.346	4
HB-17	1.181	30	4.185	2.336	4
HB-27	1.181	30	4.188	2.285	4
HB-15	1.181	30	4.206	2.365	4
HB-7	1.181	30	4.225	2.336	4
HB-8	1.181	30	4.234	2.297	4
HB-26	1.181	30	4.271	2.290	4
HB-28	1.181	30	4.290	2.313	4
HB-6	1.181	30	4.332	2.089	3
HB-16	1.181	30	4.332	2.637	3
HB-19	1.181	30	4.333	2.444	3
HB-31	1.181	30	4.342	2.313	4
HB-22	1.181	30	4.592	2.331	4
HB-14	1.181	30	4.612	2.334	4
HB-25	1.181	30	4.631	2.386	4
HB-32	1.181	30	4.640	2.364	4
HB-33	1.181	30	4.640	2.364	4
HB-30	1.181	30	4.670	2.350	4
HB-18	1.181	30	4.685	2.443	3

Drive Shaft/Center Support Bearings

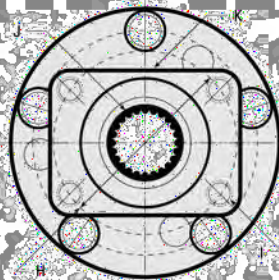
Size Listing - Continued

"HB" Series

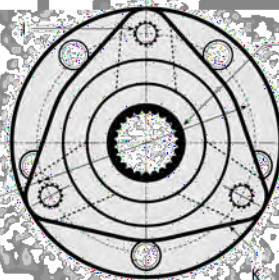
Bearing Number	Bore - A		O.D. - B	Width - C	Type
	Inch	mm	Inch	Inch	
HB-24	1.181	30	4.696	2.125	3
HB-13	1.181	30	4.708	2.038	3
HB-12	1.181	30	4.747	1.934	3
HB-10	1.181	30	4.751	2.366	4
HB-9	1.181	30	4.816	2.264	4
HB-5	1.375	-	3.500	0.984	3
HB-2	1.500	-	3.875	2.000	3
HB-3	1.750	-	4.250	2.500	3

Hub Assembly Diagrams

DRIVEN HUB ASSEMBLIES



RECTANGULAR

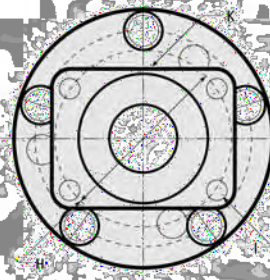
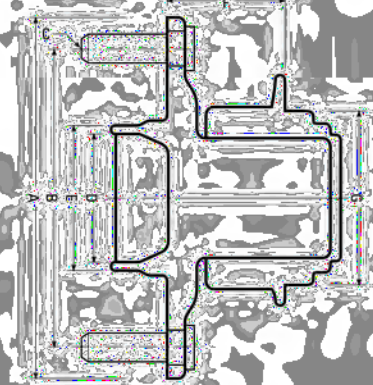


TRIANGULAR

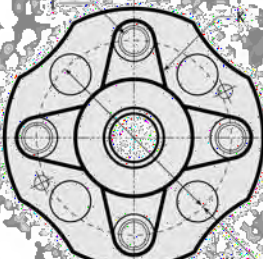


MODIFIED TRIANGULAR

NON-DRIVEN HUB ASSEMBLIES



RECTANGULAR



MODIFIED RECTANGULAR



TRIANGULAR



MODIFIED TRIANGULAR



OFFSET TRAPEZOID

Hub Assembly

Numerical Listing

Bearing Number	Flange	Bolt Circle	Bolt Size	Wheel	Brake	Flange	Hub	Bolt	Bolt Hole	Flange	No. Of Spline	ABS (Y/N)
	Dia A	Dia B	Qty C	Pilot Dia D	Pilot Dia E	Offset F	Pilot Dia G	Circle Dia H	Size (Qty) I	Shape J		
SP-450100	6.31	4.50	-	2.81	2.89	2.11	3.50	-	M14x1.5	Modified Triangle	31	Y
	160.27	114.30	(6)	71.37	73.41	53.49	88.90	-	(3)			
SP-450101	6.31	4.50	-	2.81	2.89	2.11	3.50	-	M14x1.5	Modified Triangle	31	Y
	160.27	114.30	(6)	71.37	73.41	53.49	88.90	-	(3)			
SP-450200	5.93	4.50	1/2-20-CL 2A	2.77	2.83	2.22	3.94	4.75	M12x1.75-6H	Modified Triangle	27	Y
	150.50	114.30		70.46	71.88	56.26	100.08	120.65				
SP-450201	-	-	-	-	-	-	-	-	-	-	-	Y
510038	3.58	4.13	-	3.38	3.85	-	-	-	-	-	-	Y
	91.00	105.00	(4)	85.80	97.84	-	-	-	-	-	-	Y
511012	6.69	5.96	-	-	3.54	-	-	-	-	-	-	Y
	170.00	151.36	(4)	-	90.00	-	-	-	-	-	-	Y
512000	5.43	3.94	M12x1.5	2.24	2.26	2.57	2.40	-	0.433	Offset	-	N
	138.00	100.00	(4)	57.00	57.49	65.14	61.00	-	11.00 (4)	Trapezoid	-	N
512001	5.43	3.94	M12x1.5	2.24	2.26	2.57	2.40	-	0.433	Offset	-	Y
	138.00	100.00	(5)	57.00	57.49	65.14	61.00	-	11.00 (4)	Trapezoid	-	Y
512002	5.43	3.94	M12x1.5	2.24	2.26	2.57	2.40	-	0.433	Offset	-	Y
	138.00	100.00	(4)	57.00	57.49	65.14	61.00	-	11.00 (4)	Trapezoid	-	Y
512003	5.91	4.53	M12x1.5	2.76	2.78	2.57	2.83	-	0.47	Rectangle	-	N
	150.00	115.00	(5)	70.14	70.63	65.14	71.80	-	11.94 (4)	Rectangle	-	N
512004	5.91	4.53	M12x1.5	2.76	2.78	2.57	2.83	-	0.47	Rectangle	-	Y
	150.00	115.00	(5)	70.14	70.63	65.14	71.80	-	11.94 (4)	Rectangle	-	Y
512005	6.14	4.53	M12x1.5	2.76	2.78	2.72	2.83	-	0.47	Rectangle	-	N
	156.00	115.00	(5)	70.14	70.63	69.10	71.80	-	11.94 (4)	Rectangle	-	N
512006	5.91	4.53	M12x1.5	2.76	2.78	2.57	2.83	-	0.47	Rectangle	-	Y
	150.00	115.00	(5)	70.14	70.63	65.14	71.80	-	11.94 (4)	Rectangle	-	Y
512007	5.55	3.94	M12x1.5	1.89	2.21	2.24	2.60	3.46	M6x10	-	-	N
	141.00	100.00	(4)	48.00	56.00	57.00	66.00	88.00	(2)	-	-	N
512008	5.77	4.57	M12x1.5	2.48	2.52	2.44	2.99	4.57	-	-	-	Y
	146.50	116.00	(5)	63.00	64.00	62.00	76.00	116.00	(5)	-	-	Y
512009	-	3.90	-	-	-	2.04	2.95	-	-	Modified Trapezoid	-	Y
	-	99.00	(4)	-	-	51.80	-	-	-	-	-	Y
512010	5.51	4.49	M12x1.5	2.64	3.55	-	-	-	-	-	-	N
	140.00	114.00	(4)	67.00	90.00	-	-	-	-	-	-	N
512011	5.51	4.41	M12x1.5	2.64	3.55	-	-	-	-	-	-	Y
	140.00	112.00	(5)	67.00	90.00	-	-	-	-	-	-	Y
512014	-	-	M12x1.5	3.31	-	-	-	-	-	-	-	-
	-	-	(4)	84.00	-	-	-	-	-	-	-	-
512015	5.83	4.50	M12x1.5	2.05	2.68	1.93	2.84	-	-	-	-	N
	148.00	114.30	(5)	52.00	68.00	49.00	72.00	-	-	-	-	N
512016	5.83	-	M12x1.5	2.05	-	-	-	-	-	-	-	N
	148.00	-	(5)	52.00	-	-	-	-	-	-	-	N
512017	5.08	4.25	M12x1.25	2.56	2.80	1.65	3.01	-	-	-	-	N
	129.00	108.00	(4)	65.00	71.00	42.00	76.50	-	-	-	-	N
512018	5.51	3.94	M12x1.5	2.13	2.17	2.94	2.40	3.49	0.433	Modified Trapezoid	-	N
	140.00	100.00	(5)	54.00	55.00	75.00	61.00	89.00	11.00	-	-	N
512019	5.45	3.94	M12x1.5	2.13	2.17	2.94	-	-	0.413	Modified Trapezoid	-	Y
	138.50	100.00	(5)	54.00	55.00	75.00	-	-	10.50	-	-	Y
512020	5.98	4.50	-	2.52	2.52	2.20	2.60	-	-	-	-	N
	151.80	114.30	(4)	64.00	64.00	56.00	66.00	-	-	-	-	N
512021	5.31	3.94	M12x1.5	2.24	2.26	2.06	2.60	3.94	-	-	-	N
	135.00	100.00	(4)	57.00	57.30	52.40	66.04	-	-	-	-	N
512022	5.46	4.50	-	2.52	2.52	2.34	2.76	-	-	-	-	N
	138.75	114.30	(4)	64.00	64.00	59.50	70.20	-	-	-	-	N
512023	5.31	3.94	-	2.24	2.26	2.06	-	-	-	-	-	N
	135.00	100.00	(5)	57.00	57.30	52.40	-	-	-	-	-	N
512024	5.35	4.21	M12x1.5	3.28	3.28	2.03	3.27	-	-	-	-	N
	135.00	107.00	(4)	83.20	83.20	51.50	83.00	-	-	-	-	N

bearing
specification:
0010110111011100110101
0010110111011100110101

TIMKEN®

Hub Assembly

Numerical Listing

Bearing Number	Flange	Bolt Circle	Bolt Size	Wheel	Brake	Flange	Hub	Bolt	Bolt Hole	Flange	No. Of Spline	ABS (Y/N)
	Dia A	Dia B	Qty C	Pilot Dia D	Pilot Dia E	Offset F	Pilot Dia G	Circle Dia H	Size (Qty) I	Shape J		
512025	5.28	4.50	M12x1.5	2.69	2.32	609.60	2.45	3.94	-	-	-	N
	134.00	114.30	(4)	59.00	68.00	24.00	62.00	100.10	-	-	-	
512026	5.47	4.50	M12x1.5	2.64	3.15	2.33	-	-	-	-	-	Y
	139.00	114.30	(4)	67.00	80.00	59.20	-	-	-	-	-	
512027	5.47	4.50	M12x1.5	2.64	2.99	1.99	-	-	-	-	-	Y
	139.00	114.30	(4)	67.00	76.00	50.50	-	-	-	-	-	
512028	5.83	4.50	-	-	-	2.26	-	-	-	-	-	N
	148.00	114.30	(4)	-	-	57.50	-	-	-	-	-	
512029	5.51	4.50	M12x1.5	2.81	2.88	1.63	3.15	-	-	-	-	Y
	140.00	114.30	(5)	71.40	73.15	41.40	80.00	-	-	-	-	
512030	5.51	4.50	M12x1.5	2.81	2.88	1.63	-	-	-	-	-	N
	140.00	114.30	(5)	71.40	73.15	41.40	-	-	-	-	-	
512031	5.98	4.50	-	2.52	2.52	2.79	2.76	-	-	-	-	
	151.75	114.30	(5)	64.00	64.00	70.80	70.20	-	-	-	-	
512032	5.98	4.50	-	2.52	2.52	2.21	-	-	-	-	-	N
	152.00	114.30	(4)	64.00	64.00	56.00	-	-	-	-	-	
512033	4.92	3.94	-	-	-	2.22	-	-	-	-	-	Y
	125.00	100.00	(4)	-	-	56.50	-	-	-	-	-	
512034	5.34	3.94	-	2.21	2.40	2.15	2.60	-	-	-	-	N
	135.75	100.00	(4)	56.00	61.00	54.50	66.00	-	-	-	-	
512035	4.94	3.94	-	2.20	2.28	2.46	2.48	-	-	-	-	
	125.50	100.00	(5)	56.00	58.00	62.50	63.00	-	-	-	-	
512036	4.96	3.94	-	2.20	2.28	2.54	2.48	-	-	-	-	N
	126.00	100.00	(5)	56.00	58.00	64.50	63.00	-	-	-	-	
512037	5.51	4.50	-	-	-	2.22	-	-	-	-	-	N
	140.00	114.30	(4)	-	-	56.50	-	-	-	-	-	
512038	-	-	-	-	-	2.16	-	4.17	-	Modified Trapezoid	-	N
	-	-	(4)	-	-	54.80	-	106.00	-	-	-	
512039	5.51	4.50	-	2.64	2.64	2.22	3.03	-	-	-	-	N
	140.00	114.30	(5)	67.00	67.00	56.50	77.00	-	-	-	-	
512040	5.52	4.50	-	2.64	2.64	2.22	2.62	-	-	-	-	N
	140.20	14.30	(4)	67.00	67.00	56.50	66.50	-	-	-	-	
512078	5.93	-	M12x1.5	2.76	2.78	2.57	2.83	3.96	0.456	Rectangle	-	Y
	150.50	-	(5)	70.00	70.50	65.20	71.75	100.50	11.60	-	-	
512105	5.47	4.25	M12x1.5	2.49	2.53	2.27	2.95	-	-	-	-	Y
	139.00	108.00	(5)	63.30	64.40	57.75	75.00	-	-	-	-	
512106	5.47	4.21	M12x1.5	2.50	2.55	2.27	2.95	-	-	-	-	N
	139.00	107.00	(5)	63.50	64.50	57.75	75.00	-	-	-	-	
512107	5.47	4.25	M12x1.5	2.49	2.53	2.15	2.95	-	-	-	-	Y
	139.00	108.00	(5)	63.20	64.40	54.60	75.00	-	-	-	-	
512118	5.50	4.50	-	2.64	2.83	2.32	2.80	-	-	-	-	Y/N
	139.75	114.30	(5)	67.00	72.00	59.00	71.00	-	-	-	-	
512119	5.50	4.50	-	2.64	2.83	2.32	2.80	-	-	-	-	N
	139.75	114.30	(5)	67.00	72.00	59.00	71.00	-	-	-	-	
512120	5.98	4.50	-	2.52	2.52	2.79	2.60	-	-	-	-	Y
	152.00	114.30	(4)	64.00	64.00	70.85	66.00	-	-	-	-	
512121	5.98	4.50	-	2.52	2.52	2.79	2.60	-	-	-	-	Y
	151.75	114.30	(4)	64.00	64.00	70.85	66.00	-	-	-	-	
512122	5.98	4.50	-	2.52	2.52	2.20	2.80	-	-	-	-	N
	151.75	114.30	(4)	64.00	64.00	55.90	71.00	-	-	-	-	
512123	5.76	4.50	-	2.52	2.76	2.44	2.52	-	-	-	-	Y
	146.25	114.30	(5)	64.00	70.00	61.85	64.00	-	-	-	-	
512124	5.76	4.50	-	2.52	2.76	2.44	2.87	-	-	-	-	
	146.25	114.30	(5)	64.00	70.00	61.85	73.00	-	-	-	-	
512125	5.51	4.50	M12x1.5	2.77	2.81	2.36	3.34	-	-	-	-	N
	140.00	114.30	(5)	70.40	71.35	60.00	84.75	-	-	-	-	
512133	5.32	3.74	M12x1.5	2.24	2.25	-	2.60	-	-	-	-	Y
	135.20	95.07	(4)	56.90	57.25	-	66.04	-	-	-	-	

Hub Assembly

Numerical Listing

Bearing Number	Flange	Bolt Circle	Bolt Size	Wheel	Brake	Flange	Hub	Bolt	Bolt Hole	Flange	No. Of Spline	ABS (Y/N)
	Dia A	Dia B	Qty C	Pilot Dia D	Pilot Dia E	Offset F	Pilot Dia G	Circle Dia H	Size (Qty) I	Shape J		
512136	5.23 132.92	3.74 95.07	M12x1.5 (5)	2.24 56.90	2.28 58.01	-	2.60 66.04	-	-	-	-	Y
512137			- (4)			2.06				Modifide Trapezoid	-	N
512140	5.83 148.00	4.50 114.30	- (5)	2.60 66.00	2.68 68.00	-	-	-	-	-	-	
512144	-	4.35	- (5)	2.52	2.62	-	-	-	-	-	-	Y
512145	5.51 139.95	-	- (5)	2.58 65.43	2.56 65.10	-	-	4.14 105.23	0.407 10.338	-	-	Y
512146	5.15 130.84	4.27	- (4)	2.55 64.77	2.68 67.95	-	-	-	-	-	-	Y
512147	4.96 126.01	3.94 100.00	M12x1.5 (5)	2.03 51.44	2.40 61.01	1.47 37.39	3.39 86.21	4.41 111.99	M10x1.5 (4)	Rectangle	26	N
512148	4.92 125.00	3.94 100.00	- (4)	-	-	2.22 56.50	-	-	-	-	-	N
512149	5.78 139.01	4.75 106.83	M12x1.5 (5)	2.76 63.32	2.78 64.22	2.70 68.58	2.83 73.91	3.96 100.58	0.456 (4)	Rectangle	-	Y
512150	5.93		- (5)	2.76	2.78	2.56	2.83		.4660 (4)	Rectangle	-	Y
512151	5.92		- (5)	2.76	2.78		2.83			Rectangle	-	Y
512152	5.92		- (5)	2.76	2.78		2.83			Rectangle	-	Y
512153	5.73		- (5)	2.76	2.78		3.59	4.70		Trangular	-	Y
512154	5.32 135.20	3.74 95.07	M12x1.5 (4)	2.24 56.90	2.25 57.25	-	2.60 66.04	-	-	-	-	N
512155	4.96 126.00	3.94 100.00	- (5)	2.24 56.80	2.26 57.30	1.89 48.00	3.39 86.00	-	M12x1.5 (4)	-	-	Y
512156	5.51 140.00	4.50 114.30	- (5)	2.81 71.40	2.83 71.90	1.89 48.00	3.39 86.00	-	M12x1.5 (4)	-	-	Y
512157	5.46 138.87	4.26 108.38	M12x1.5 (5)	2.78 70.73	2.82 71.62	1.88 47.94	3.38 85.95	3.51 89.15	0.41	Modified Rectangle	-	Y
512158										-	-	N
512159	5.47 139.00	4.50 114.30	M12x1.5 (4)	2.23 56.51	2.23 56.51	3.23 82.10	2.64 67.00	-	-	-	-	Y
512160	5.47 139.00	4.50 114.30	M12x1.5 (4)	2.64 67.00	2.99 76.00	1.92 48.80	2.64 67.00	-	-	-	-	Y
512161	4.80 122.00	3.94 100.00	- (4)	2.12 53.95	2.17 55.00					-	-	Y
512162										-	-	Y
512163	5.49 139.50	4.25 107.95	- (5)	2.49 63.26	2.54 64.42					-	-	N
512164	5.49 139.50	4.25 107.95	- (5)	2.49 63.26	2.54 64.42					-	-	Y
512165	5.47 139.00	4.50 114.30	M12x1.5 (4)	2.64 67.00	2.99 76.00	-	2.48 63.00	-	-	Modified Rectangle	-	Y
512169	5.51 140.00	4.50 114.30	M12x1.5 (5)	2.81 71.40	2.83 71.90	2.91 74.00	3.39 86.00	-	M12x1.5 (4)	-	-	Y
512172	5.98 152.00	4.50 114.30	M12x1.5 (4)	2.52 64.00	2.29 58.00	-	-	-	-	-	-	Y
512173	5.98 152.00	4.50 114.30	M12x1.69 (5)	2.48	2.52	2.45	-	-	-	-	-	Y
512174	5.47 139.00	3.94 100.00	M12x1.5 (4)	2.20	2.40	2.20	-	-	-	-	-	N

bearing
specification:
0010110111011100110101
0010110111011100110101



Hub Assembly

Numerical Listing

Bearing Number	Flange	Bolt Circle	Bolt Size	Wheel	Brake	Flange	Hub	Bolt	Bolt Hole	Flange	No. Of Spline	ABS (Y/N)
	Dia A	Dia B	Qty C	Pilot Dia D	Pilot Dia E	Offset F	Pilot Dia G	Circle Dia H	Size (Qty) I	Shape J		
512175	5.47 139.00	3.94 100.00	M12x1.5 (4)	2.20	2.40	2.21	-	-	-	-	-	Y
512176	5.98 152.00	4.50 114.30	M12x1.5 (4)	2.48	2.52	2.20	2.60	-	-	-	-	N
512177	5.98 152.00	4.50 114.30	M12x1.5 (4)	2.51	2.52	-	-	-	-	-	-	Y
512178	5.98 152.00	4.50 114.30	M12x1.5 (4)	2.50	2.53	2.20	-	-	-	-	-	Y
512180										-	-	
512181										-	-	Y
512182										-	-	
512183										-	-	Y
513003	5.43 138.00	3.94 100.00	M12x1.5 (5)	2.24 57.00	2.26 57.50	2.57 65.15	2.83 71.80	-	0.47 11.94 (4)	Rectangle	-	N
513004-K	4.92 125.00	3.94 100.00	M12x1.5 (5)	2.24 57.00	2.30 58.32	1.70 43.20	2.89 73.50	3.86 98.00	0.433 11.00 (3)	Triangle	33	N
513009	5.78 146.80	4.75 120.65	M12x1.5 (5)	2.76 71.10	2.78 70.60	2.72 69.00	2.83 71.80	3.96 100.61	0.47 11.91 (4)	Rectangle	-	N
513010	6.14 156.00	4.75 120.65	M12x1.5 (5)	2.76 71.10	2.78 70.60	2.72 69.00	2.83 71.80	-	0.47 11.91 (4)	Rectangle	-	N
513011-K	4.92 125.00	3.94 100.00	M12x1.5 (5)	2.24 57.00	2.27 57.75	1.66 42.20	2.80 71.00	4.02 102.00	0.51 12.96 (3)	Modified Rectangle	33	N
513012	5.43 138.00	3.94 100.00	M12x1.5 (5)	2.24 57.00	2.26 57.50	2.57 65.10	2.40 61.00	3.50 88.80	0.422 10.73 (4)	Offset Trapezoid	-	N
513013	5.69 144.50	4.75 120.65	M12x1.5 (5)	2.76 71.10	2.78 70.60	1.86 47.25	3.62 92.00	4.75 120.65	M12x1.75 (3)	Modified Rectangle	27	N
513016-K	5.79 147.00	4.53 115.00	M12x1.5 (5)	2.76 70.10	2.78 70.60	1.66 42.20	3.55 90.00	4.58 116.00	0.51 12.96 (3)	Modified Rectangle	27	N
513017-K	4.92 125.00	3.94 100.00	M12x1.5 (5)	2.24 57.00	2.30 58.33	1.75 44.40	2.89 73.50	3.86 98.00	0.51 12.96 (3)	Modified Rectangle	33	N
513018	5.91 150.00	4.53 115.00	M12x1.5 (5)	2.76 70.10	2.78 70.60	2.57 65.10	2.83 71.80	-	0.47 11.94 (4)	Rectangle	-	N
513019	5.78 146.80	4.75 120.65	M12x1.5 (5)	2.76 70.10	2.78 70.60	2.72 69.00	2.83 71.80	-	0.47 11.94 (4)	Rectangle	-	Y
513020	5.69 144.50	4.75 120.65	M12x1.5 (5)	2.76 71.10	2.78 70.60	1.86 47.25	3.21 81.50	4.75 120.65	M12x1.75 (3)	Modified Rectangle	27	Y
513030	4.80 122.00	3.94 100.00	- (4)	1.89 48.00	2.12 54.00	-	2.60 66.00	3.94 100.00	-	-	-	N
513033	5.35 136.00	3.94 100.00	M12x1.5 (4)	2.21 56.00	2.40 61.00	-	-	-	-	-	-	N
513034	5.28 134.00	3.94 100.00	M12x1.5 (4)	2.21 56.00	2.40 61.00	-	-	-	-	-	-	N
513035	5.28 134.00	3.94 100.00	M12x1.5 (4)	2.21 56.00	2.40 61.00	-	-	-	-	-	-	N
513038	5.93	-	- (5)	2.76	2.78	2.56	2.83	-	-	Rectangle	-	Y
513039	5.96 151.38	4.53 115.01	M12x1.5 -	2.76 70.13	2.78 70.64	2.56 65.10	2.83 71.81	-	0.47 11.938	Rectangle	-	Y
513040	5.79 147.00	3.94 100.00	M12x1.5 (5)	2.24 57.00	2.27 57.80	1.42 36.20	2.76 70.00	3.74 95.00	0.51 12.96 (3)	Modified Rectangle	-	Y
513041	5.90 150.00	4.53 115.00	M12x1.5 (5)	2.76 70.10	2.78 70.60	2.56 65.10	2.83 71.80	-	0.47 11.94 (4)	Rectangle	-	Y
513042	5.91 150.00	4.53 115.00	M12x1.5 (5)	2.76 70.10	2.78 70.60	2.56 6.10	2.83 71.80	-	0.47 11.94 (4)	Rectangle	-	Y
513044	5.69 144.50	4.53 115.00	M12x1.5 (5)	2.76 70.10	2.78 70.60	1.77 45.00	3.59 91.00	5.75 146.00	M10x1.5 11.25 (4)	Rectangle	33	Y

Hub Assembly

Numerical Listing

Bearing Number	Flange	Bolt Circle	Bolt Size	Wheel	Brake	Flange	Hub	Bolt	Bolt Hole	Flange	No. Of Spline	ABS (Y/N)
	Dia A	Dia B	Qty C	Pilot Dia D	Pilot Dia E	Offset F	Pilot Dia G	Circle Dia H	Size (Qty) I	Shape J		
513048	5.47	4.49	M12x1.5	2.28	2.52	-	-	-	-	-	-	N
	139.00	114.00	(5)	58.00	64.00							
513049	5.47	4.49	-	2.28	2.52	2.17	-	-	-	-	-	Y
	139.00	114.00		58.00	64.00							
513050	5.28	3.94	M12x1.5	2.21	2.40	-	-	-	-	-	-	N
	134.00	100.00	(4)	56.00	61.00							
513059	5.77	4.53	M12x1.5	2.76	2.78	1.66	3.55	4.57	0.51	Modified	33	N
	146.50	115.00	(5)	70.10	70.60	42.20	90.00	116.00	12.96 (3)	Rectangle		
513061	5.69	4.75	M12x1.5	2.76	2.78	1.86	3.21	4.75	M12x1.75	Modified	27	Y
	144.50	120.65	(5)	70.10	70.60	47.30	81.50	12.65	(3)	Rectangle		
513062	5.91	4.53	M12x1.5	2.76	2.78	2.57	2.83	-	0.47	Rectangle	-	Y
	150.00	115.00	(5)	70.10	70.60	65.10	71.80		11.94 (4)			
513063	5.77	4.53	M12x1.5	2.76	2.78	1.66	3.55	4.57	0.51	Modified	33	N
	146.51	115.01	(5)	70.13	70.64	42.16	90.04	116.00	(3)	Rectangle		
513064										-	-	
513065										-	-	
513066										-	-	
513068	5.24	-	-	2.14	2.36	-	2.80	-	-	-	-	N
	133.00		(5)	54.25	60.00		71.00					
513070	5.24	-	-	2.14	2.36	-	2.80	-	-	-	-	N
	133.00		(5)	54.25	60.00		71.00					
513072	5.24	-	-	2.14	2.36	-	3.39	-	-	-	-	N
	133.00		(5)	54.25	60.00		86.00					
513074	5.51	4.50	M12x1.5	-	2.89	1.48	3.43	4.41	M10x1.5	Rectangle	26	N
	140.00	114.30	(5)		73.30	37.50	87.00	112.00	(4)			
513075	4.96	3.94	M12x1.5	2.21	2.24	1.47	3.39	4.41	M10x1.5	Rectangle	26	N
	126.00	100.00	(5)	56.00	56.80	37.40	86.20	112.00	(4)			
513076	5.47	-	M12x1.5	2.28	2.49	-	3.39	-	-	-	-	N
	139.00		(5)	58.00	63.25							
513077	5.47	-	M12x1.5	2.28	2.49	-	3.39	-	-	-	-	N
	139.00		(5)	58.00	63.25							
513078	5.24	3.94	M12x1.5	2.14	2.36	-	2.80	-	-	Rectangle	-	N
	133.00	100.00	(4)	54.25	60.00		71.00					
513079	5.98	4.50	M12x1.5	2.24	2.29	2.21	2.60	-	0.945	Modified	-	N
	152.00	114.40	(4)	57.00	58.10	56.00	66.00		24.00 (4)	Rectangle		
513080	5.98	4.50	M12x1.5	2.24	2.29	2.21	2.60	-	0.945	Modified	-	N
	152.00	14.40	(4)	57.00	58.10	56.00	66.00		24.00 (4)	Rectangle		
513081	5.98	4.50	M12x1.5	2.24	2.29	2.21	2.77	-	0.945	Modified	-	N
	152.00	14.40	(4)	57.00	58.10	56.00	70.30		24.00 (4)	Rectangle		
513082	5.67	4.50	1/2-20	2.81	2.88	2.27	3.39	4.50	0.573	Rectangle	26	N
	144.00	114.30	(5)	71.40	73.30	57.60	86.00	114.30	14.56 (4)			
513084	6.04	4.50	1/2-20	2.81	2.83	2.13	3.94	4.75	M12x1.75	Triangle	27	N
	153.50	114.30	(5)	71.40	72.00	54.20	100.10	12.65	(3)			
513085	5.79	4.75	M12x1.5	2.76	2.78	2.72	2.83	-	(4)	Rectangle	-	N
	147.00	120.65	(5)	70.10	70.60	69.10	71.80					
513087	5.73	4.53	M12x1.5	2.76	2.78	1.66	3.60	4.57	0.51	Triangle	33	Y
	145.50	115.00	(5)	70.10	70.60	42.20	91.30	116.00	12.96 (3)			
513088	5.73	4.53	M12x1.5	2.76	2.78	1.66	3.60	4.57	0.51	Triangle	33	N
	145.50	115.00	(5)	70.10	70.60	42.20	91.30	116.00	12.96 (3)			
513089	5.73	4.50	M12x1.5	2.77	2.81	1.66	3.60	4.41	M12x1.75	Triangle	33	N
	145.50	114.30	(5)	70.40	71.40	42.20	91.40	112.00	(3)			
513090	5.79	4.75	M12x1.5	2.76	2.78	-	2.83	-	M10x1.5	Rectangle	-	Y
	147.00	120.65	(5)	70.10	70.60		71.80		(4)			
513091	5.47	-	M12x1.5	2.28	2.49	-	3.39	4.25	0.512	-	-	N
	139.00		(5)	58.00	63.30		86.00	108.00	13.00 (5)			
513092	5.47	4.25	M12x1.5	2.28	2.49	-	3.39	4.25	0.512	-	-	Y
	139.00	107.95	(5)	58.00	63.30		86.00	108.00	13.00 (5)			

bearing
specification:
0010110111011100110101
0010110111011100110101

TIMKEN®

Hub Assembly

Numerical Listing

Bearing Number	Flange	Bolt Circle	Bolt Size	Wheel	Brake	Flange	Hub	Bolt	Bolt Hole	Flange	No. Of Spline	ABS (Y/N)
	Dia A	Dia B	Qty C	Pilot Dia D	Pilot Dia E	Offset F	Pilot Dia G	Circle Dia H	Size (Qty) I	Shape J		
513094	5.47 139.03	4.72 120.00	M12x1.5 (5)	2.60 66.00	2.85 72.50	-	-	-	-	-	-	Y
513095	4.73 120.02	-	M12x1.5 (4)	2.25 57.12	2.60 65.91	-	-	-	-	-	-	Y
513096	5.47 139.00	4.72 120.00	M12x1.5 (5)	2.60 66.00	2.85 72.50	-	-	-	-	-	-	N
513098	3.31 84.00	-	-	3.25	3.26	-	-	4.46	M10x1.25 (4)	Modified Trapezoid	-	N
513099	-	-	- (4)	3.22 81.80	3.31 84.00	1.56	3.19	4.17 106.00	-	Modified Trapezoid	-	N
513100	5.47 139.00	4.25 108.00	M12x1.5 (5)	2.49 63.20	2.79 70.90	2.44	3.25	4.41 112.00	0.472	Modified Rectangle	26	N
513104	5.99 152.00	4.50 114.30	1/2-20 UNRF (5)	2.77 70.40	2.82 71.60	2.00	3.07	-	-	-	-	Y
513105	5.35 135.75	3.94 10.00	- (5)	2.21 56.00	2.40 61.00	2.15	-	-	-	-	-	N
513107	5.69 144.45	4.00 101.00	1/2-20 (5)	2.82 72.00	-	1.81	3.94	4.75 121.00	M12x1.75 (3)	Triangle	27	N
513109	5.68 144.00	4.50 114.30	1/2-20 UNF 2A (6)	2.82 71.43	2.88 73.00	2.11	3.79	5.00 127.00	1/2-20 UNF 2B (4)	Rectangle	31	N
513111	4.72 120.00	3.94 100.00	M12x1.5 (4)	2.24 57.00	2.60 66.00	-	-	-	-	-	-	N
513114	5.51 140.00	4.50 114.30	M12x1.5 (5)	2.64 67.00	2.84 72.00	2.40	-	-	-	-	-	N
513115	5.47 139.00	4.50 114.30	1/2-20 UNRF (5)	2.78 70.50	2.80 71.00	1.87	3.15	-	-	-	-	N
513117	5.73 145.50	4.53 115.00	M12x1.5 (5)	2.76 70.00	2.76 70.00	2.74	3.60	4.57 116.00	M12x1.75 (3)	Modified Triangle	33	Y
513122	4.96 26.00	3.94 100.00	M12x1.5 (5)	2.24 56.80	2.40 60.80	1.47	3.43	4.41 112.00	M10x1.5 (4)	Rectangle	26	N
513123	5.49 139.32	4.50 114.30	M12x1.5 (5)	2.81 71.32	2.88 73.25	1.47	3.43	4.41 112.00	M10x1.5 (4)	Rectangle	26	N
513124	5.69 144.50	4.76 120.80	M12x1.5 (5)	2.76 70.00	2.78 70.50	1.86	3.21	4.75 120.60	M12x1.75 (3)	Modified Triangle	27	Y
513125	5.26 133.57	4.45 113.03	- (5)	2.65 67.25	2.92 74.05	3.00	-	-	-	-	48	Y
513126	5.14 130.58	4.27 108.36	- (4)	2.68 67.95	2.56 64.90	1.46	3.26	4.06 103.23	0.334 8.484	Rectangle	-	N
513127	5.18 131.47	4.23 107.54	-	2.56 64.92	2.67 67.92	1.46	3.18	-	0.415 10.541	Rectangle	26	N
513128	5.39 136.86	-	M12x1.5 (5)	2.56 64.97	2.68 67.95	-	-	4.25 107.95	-	-	-	N
513131	5.52 140.00	4.50 114.30	M12x1.5 (5)	2.64 67.00	2.84 72.00	2.40	-	-	-	-	-	N
513132	5.47 138.99	4.50 114.30	M12x1.5 (6)	2.81 71.32	2.90 73.56	1.50	3.43	4.41 111.88	0.314 (4)	Rectangle	-	N
513133	5.63 143.00	-	-	2.24 57.00	2.64 67.00	1.52	3.43	-	-	-	27	N
513135	4.96 126.00	-	-	-	-	-	3.23 82.00	-	M12x1.25 (4)	-	-	N
513137	-	-	-	-	-	-	-	-	-	-	-	Y
513139	5.73	4.50	- (5)	2.76	2.78	1.67	3.58	-	-	-	-	Y
513142	5.24 132.99	3.94 100.00	M12x1.5 (4)	2.36 59.99	2.60 65.99	-	2.79 70.76	-	-	-	-	N

Hub Assembly

Numerical Listing

Bearing Number	Flange	Bolt Circle	Bolt Size	Wheel	Brake	Flange	Hub	Bolt	Bolt Hole	Flange	No. Of Spline	ABS (Y/N)
	Dia	Dia	Qty	Pilot Dia	Pilot Dia	Offset	Pilot Dia	Circle Dia	Size (Qty)	Shape		
	A	B	C	D	E	F	G	H	I	J		
513152	4.80	3.94	M12x1.5	2.13	2.17	2.13	2.40	-	M8x125	-	-	N
	122.00	100.00	(5)	54.00	55.00	54.00	61.00	-	-	-	-	-
513153	5.51	4.50	M12x1.5	2.64	2.84	2.40	3.15	-	M8x1.25	-	-	N
	140.00	114.30	(5)	67.00	72.00	61.00	80.00	-	-	-	-	-
513155	4.80	3.94	-	2.12	2.17	-	-	-	-	-	-	N
	122.00	100.00	(4)	53.95	55.00	-	-	-	-	-	-	-
513183												
513202	5.96	4.25	M12x2.4	2.77	2.83	2.17	-	-	-	-	-	Y
	151.53	107.95	(5)	70.51	71.90	55.32	-	-	-	-	-	-
515000	5.68	4.50	1/2-20	2.51	2.54	2.02	3.94	4.75	M12x1.75	Modified	26	N
	144.32	114.30	(5)	63.78	64.39	51.31	100.08	120.60	(3)	Triangle	-	-
515001	7.00	5.50	M14x1.5	3.06	3.08	2.23	3.91	5.00	0.58	Modified	33	N
	177.80	139.70	(6)	77.60	78.11	56.74	99.31	127.00	14.732	Triangle	-	-
515002	7.17	5.50	M14x1.5	3.06	3.08	1.99	3.91	5.00	0.58	Modified	33	N
	181.99	139.70	(6)	77.60	78.11	50.55	99.31	127.00	14.732	Triangle	-	-
515005	6.78	5.00	1/2-20	3.06	3.09	2.93	3.85	4.96	0.578	Modified	33	N
	172.21	127.00	(5)	77.60	78.36	74.30	97.71	125.98	14.681	Triangle	-	-
515006	6.78	5.50	1/2-20	3.06	3.09	2.03	3.91	4.96	M14x1.5	Modified	33	N
	172.09	139.70		77.60	78.36	51.44	99.31	125.98	(3)	Triangle	-	-
515014	7.20	5.21	M12x1.5	3.43	3.63	1.93	3.90	4.27	-	Modified	-	Y
	182.88	132.33	(5)	87.12	92.32	49.08	99.25	108.52	(3)	Triangle	-	-
515017	7.23	5.32	-	3.42	3.54	1.94	3.91	4.96	M14x1.5	Modified	33	N
	183.54	135.03	(5)	86.74	89.97	49.28	99.31	125.88	(3)	Triangle	-	-
515022	-	-	-	-	-	-	-	-	-	-	-	-
515026	5.88	-	-	2.78	2.84	2.21	3.94	-	-	Triangle	-	N
	-	-	(5)	-	-	-	-	-	-	-	-	-
515027	9.88	-	-	2.78	2.84	2.21	3.94	-	-	Triangle	-	Y
	-	-	(5)	-	-	-	-	-	-	-	-	-
515030	7.14	-	-	2.42	3.63	1.94	3.91	-	-	Triangle	33	Y
	-	-	(7)	-	-	-	-	-	(3)	-	-	-
515031	7.14	-	-	3.42	3.63	1.94	3.91	-	-	Triangle	33	Y
	-	-	(5)	-	-	-	-	-	(3)	-	-	-
518500	4.80	3.94	M12x1.5x44-6	2.24	2.40	-	2.99	3.70	M8x1.25	-	26	N
	122.00	100.00	G (4)	56.85	60.87	-	76.00	94.00	(3)	-	-	-
518501	4.96	3.94	M12x1.5x44-6	2.24	2.40	-	2.99	4.46	M8x1.25	-	26	N
	126.00	100.00	G (4)	56.85	60.87	-	76.00	113.00	(3)	-	-	-
518502	4.96	3.94	M12x1.5x44-6	2.24	2.40	-	2.99	4.46	M8x1.25	-	26	N
	126.00	100.00	G (5)	56.85	60.87	-	76.00	113.00	(3)	-	-	-
518503	5.14	4.25	M12x1.5	2.49	2.49	-	-	-	-	-	26	N
	130.40	108.00	(4)	63.10	63.30	-	-	-	-	-	-	-
518504	4.75	3.94	.485	-	-	-	-	-	-	-	24	N
	120.65	100.00	(4)	-	-	-	-	-	-	-	-	-
518505	4.78	3.94	.485	2.21	2.40	-	-	-	-	-	26	N
	121.41	100.00	(4)	56.08	60.96	-	-	-	-	-	-	-
518506	4.88	3.94	M12x1.5	2.13	-	-	1.49	-	-	-	26	N
	123.95	100.00	(5)	53.98	-	-	37.99	-	-	-	-	-
518507	4.88	3.94	M12x1.5	2.13	-	-	-	-	-	-	26	N
	123.95	100.00	(5)	53.98	-	-	-	-	-	-	-	-
520000	5.49	4.25	M12x1.5	2.50	2.54	-	-	-	-	-	26	N
	139.32	5.00		63.37	64.39	-	-	-	-	-	-	-
520100	5.49	4.25	M12x1.5	2.49	2.79	-	-	-	-	-	26	N
	139.32	5.00		63.22	70.97	-	-	-	-	-	-	-
SP-550100	6.78	5.50	1/2-20	3.06	3.09	2.03	3.91	4.96	M14x1.5	Modified	33	Y
	172.21	139.70		77.72	78.49	51.44	99.31	125.98	(3)	Triangle	-	-

bearing
specification:
0010110111011100110101
0010110111011100110101

TIMKEN®

Hub Assembly

Numerical Listing

Bearing Number	Flange	Bolt Circle	Bolt Size	Wheel	Brake	Flange	Hub	Bolt	Bolt Hole	Flange	No. Of Spline	ABS (Y/N)
	Dia A	Dia B	Qty C	Pilot Dia D	Pilot Dia E	Offset F	Pilot Dia G	Circle Dia H	Size (Qty) I	Shape J		
SP-550101	6.78 172.21	5.50 139.70	1/2-20	3.06 77.72	3.09 78.49	2.03 51.44	3.91 99.31	4.96 125.98	M14x1.5 (3)	Modified Triangle	33	Y
SP-550200	7.17 181.99	5.32 135.03	- (5)	3.42 86.74	3.54 89.97	1.94 49.28	3.91 99.31	4.96 125.88	M14x1.5 (3)	Modified Triangle	33	Y
SP-550201	7.13 181.20	5.32 135.03	- (5)	3.42 86.74	3.64 92.33	1.96 49.71	3.91 99.31	4.96 125.88	M14x1.5 (3)	Modified Triangle	33	Y
SP-550300	7.17 181.99	5.50 139.70	M14x1.5 (6)	3.06 77.60	3.08 78.11	2.23 56.74	3.91 99.31	-	-	Modified Triangle	33	Y
SP-550301	7.17 181.99	5.50 139.70	M14x1.5 (6)	3.06 77.60	3.08 78.11	2.23 56.74	3.91 99.31	-	-	Modified Triangle	33	Y
SP-550302	6.31 160.27	5.00 127.00	- (5)	3.06 77.72	3.08 78.23	2.94 74.68	3.91 99.31	-	-	Modified Triangle	33	Y
SP-550303	6.31 160.27	5.00 127.00	- (5)	3.06 77.72	3.08 78.23	2.94 74.68	3.91 99.31	-	-	Modified Triangle	33	Y
SP-550304	7.09 180.09	5.50 139.70	M14x1.5 (6)	3.06 77.65	3.09 78.36	1.99 50.50	3.91 99.31	4.06 103.12	M14x1.5 (3)	Modified Triangle	33	Y
SP-580100	8.31 211.13	6.50 165.10	- (8)	-	4.77 121.03	2.99 75.95	4.48 113.84	5.50 139.70	-	Rectangle	33	Y
SP-580101	8.31 211.13	6.50 165.10	- (8)	-	4.77 121.03	2.99 75.95	4.48 113.84	5.50 139.70	-	Rectangle	33	Y
SP-580300	8.19 208.03	6.50 165.10	- (8)	-	4.59 116.59	2.69 68.33	4.17 105.79	5.50 139.70	M14x1.5	Rectangle	33	Y
SP-580301	8.19 208.03	6.50 165.10	- (8)	-	4.59 116.59	2.69 68.33	4.17 105.79	5.50 139.70	M14x1.5	Rectangle	33	Y
SP-580302	8.19 208.03	6.50 165.10	- (8)	-	4.59 116.59	2.69 68.33	4.17 105.79	5.50 139.70	M14x1.5	Rectangle	33	Y
SP-580303	8.19 208.03	6.50 165.10	- (8)	-	4.59 116.59	2.69 68.33	4.17 105.79	5.50 139.70	M14x1.5	Rectangle	33	Y
HA-590020	8.42 213.87	6.50 165.10	- (8)	-	4.77 121.16	2.97 75.31	4.48 113.89	-	M14x1.5 (4)	Rectangle	33	N
HA-590052												
HA-590055-K	5.34 135.64	3.94 100.00	M12x1.5 (4)	2.03 51.47	2.13 54.01	-	1.40 35.43	-	-	-	-	N
HA-590056-K	5.39 136.86	-	M12x1.5	2.56 64.97	2.68 67.95	-	-	4.25 107.95	-	-	-	Y
HA-590155-K	5.34 135.64	3.94 100.00	M12x1.5 (4)	2.03 51.47	2.13 54.01	-	1.40 35.43	-	-	-	-	N
HA-590156-K												
HA-590181-K	4.95 125.73	3.93 99.72	M12x1.7 (4)	2.24 57.00	2.40 60.96	-	-	-	-	-	-	N
HA-590182-K	4.95 125.73	3.94 100.00	M12x1.5 (5)	2.24 57.00	2.40 60.96	-	-	-	-	-	-	N
HA-590202	5.53 140.34	3.92 99.51	M12x1 (4)	2.13 53.98	2.16 54.97	2.96 75.12	-	3.74 95.00	0.41 10.414	Modified Rectangle	-	Y
HA-590213												
HA-590241-K	5.35 135.79	-	2.551 64.7954	2.69 68.38	2.69 68.38	1.50 38.10	2.93 74.42	4.04 102.49	-	Modified Rectangle	-	Y
HA-590494												
HA-590505												
HA-591104												
HA-591339	8.19 208.03	6.50 165.10	(8)	-	4.59 116.59	2.69 68.33	4.17 105.79	-	M14x1.5 (4)	Modified Rectangle	33	N
HA-592519												
HA-593427												
HA-593550												
HA-594181												

Hub Assembly

Numerical Listing

Bearing Number	Flange	Bolt Circle	Bolt Size	Wheel	Brake	Flange	Hub	Bolt	Bolt Hole	Flange	No. Of Spline	ABS (Y/N)
	Dia	Dia	Qty	Pilot Dia	Pilot Dia	Offset	Pilot Dia	Circle Dia	Size (Qty)	Shape		
	A	B	C	D	E	F	G	H	I	J		
HA-594460												
HA-595894												
HA-596467												
HA-597024												
HA-597449												
HA-597851	8.19 208.03	6.50 165.10	(8)	-	4.77 121.06	2.20 55.88	3.91 99.19	6.50 165.10	M14x1.5 (3)	Modified Rectangle	33	N
HA-598401												
HA-598571												
HA-598679												
HA-598751												
HA-599360												
HA-599361	6.31 160.27	4.50 114.30	(6)	2.81 71.37	2.89 73.41	2.11 53.49	3.50 88.90	-	M14x1.5 (3)	Modified Rectangle	31	N
HA-599406												
HA-599455-L												
HA-599455-R												
HA-599467												
HA-599528												

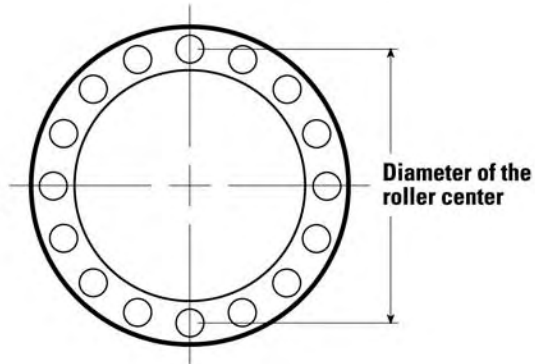
Journal Bearings

Journal Roller Bearing Identification

How to identify a Journal Bearing

O.D of the Bearing

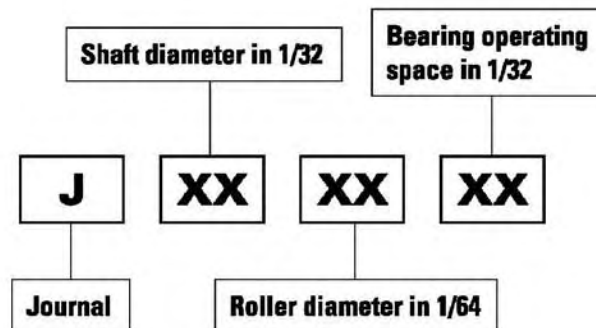
- Measure diameter of the roller centers (see illustration).
- Add this dimension with the diameter of one roller.



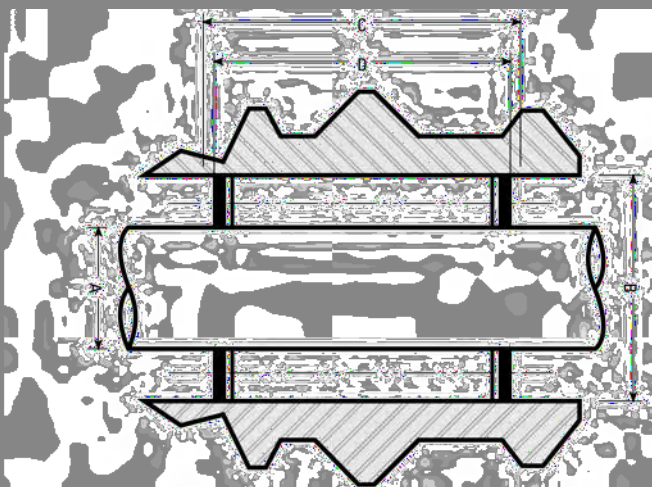
Shaft Size of the Bearing

- Subtract the diameter of one roller from the diameter of the roller centers.

ROLLER ASSEMBLY



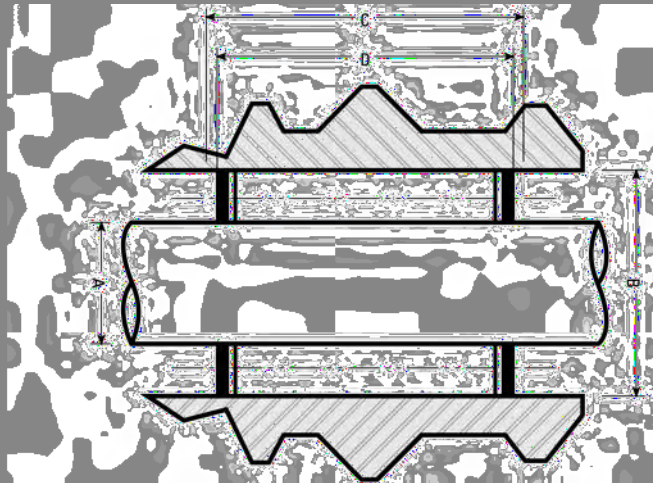
Journal Roller Bearings



"J" Series

Journal Assembly Number	Shaft Diameter A	Housing Bore B	Minimum Operation Width C	Bearing Assembly Width D	Roller Diameter
J-201248	0.625	1.000	1.500	1.453	0.188
J-201632	0.625	1.125	1.000	0.969	0.250
J-201664	0.625	1.125	2.000	1.938	0.250
J-241232	0.750	1.125	1.000	0.953	0.188
J-241248	0.750	1.125	1.500	1.453	0.188
J-241256	0.750	1.125	1.750	1.688	0.188
J-241264	0.750	1.125	2.000	1.938	0.188
J-241640	0.750	1.250	1.250	1.203	0.250
J-241644	0.750	1.250	1.375	1.328	0.250
J-241648	0.750	1.250	1.500	1.453	0.250
J-241664	0.750	1.250	2.000	1.938	0.250
J-241676	0.750	1.250	2.375	1.297	0.250
J-241680	0.750	1.250	2.500	2.422	0.250
J-242064	0.750	1.375	2.000	1.938	0.313
J-261648	0.813	1.313	1.500	1.453	0.250
J-281224	0.875	1.250	0.750	0.719	0.188
J-281232	0.875	1.250	1.000	0.953	0.188
J-281248	0.875	1.250	1.500	1.453	0.188
J-281256	0.875	1.250	1.750	1.688	0.188
J-281632	0.875	1.375	1.000	0.953	0.250
J-281640	0.875	1.375	1.250	1.203	0.250
J-281648	0.875	1.375	1.500	1.453	0.250

Journal Roller Bearings



"J" Series

Journal Assembly Number	Shaft Diameter A	Housing Bore B	Minimum Operation Width C	Bearing Assembly Width D	Roller Diameter
J-281664	0.875	1.375	2.000	1.938	0.250
J-282032	0.875	1.500	1.000	0.953	0.313
J-282064	0.875	1.500	2.000	1.313	0.313
J-301248	0.938	1.313	1.500	1.453	0.188
J-321232	1.000	1.375	1.000	0.953	0.188
J-321248	1.000	1.375	1.500	1.453	0.188
J-321264	1.000	1.375	2.000	1.938	0.188
J-321632	1.000	1.500	1.000	0.953	0.250
J-321640	1.000	1.500	1.250	1.203	0.250
J-321648	1.000	1.500	1.500	1.453	0.250
J-321652	1.000	1.500	1.625	1.578	0.250
J-321664	1.000	1.500	2.000	1.938	0.250
J-321680	1.000	1.500	2.500	2.422	0.250
J-322064	1.000	1.625	2.000	1.938	0.313
J-322080	1.000	1.625	2.500	2.422	0.313
J-361632	1.125	1.625	1.000	0.953	0.250
J-361644	1.125	1.625	1.375	1.328	0.250
J-361648	1.125	1.625	1.500	1.453	0.250
J-361652	1.125	1.625	1.625	1.578	0.250
J-361656	1.125	1.625	1.750	1.688	0.250
J-361664	1.125	1.625	2.000	1.938	0.250
J-362048	1.125	1.750	1.500	1.438	0.313

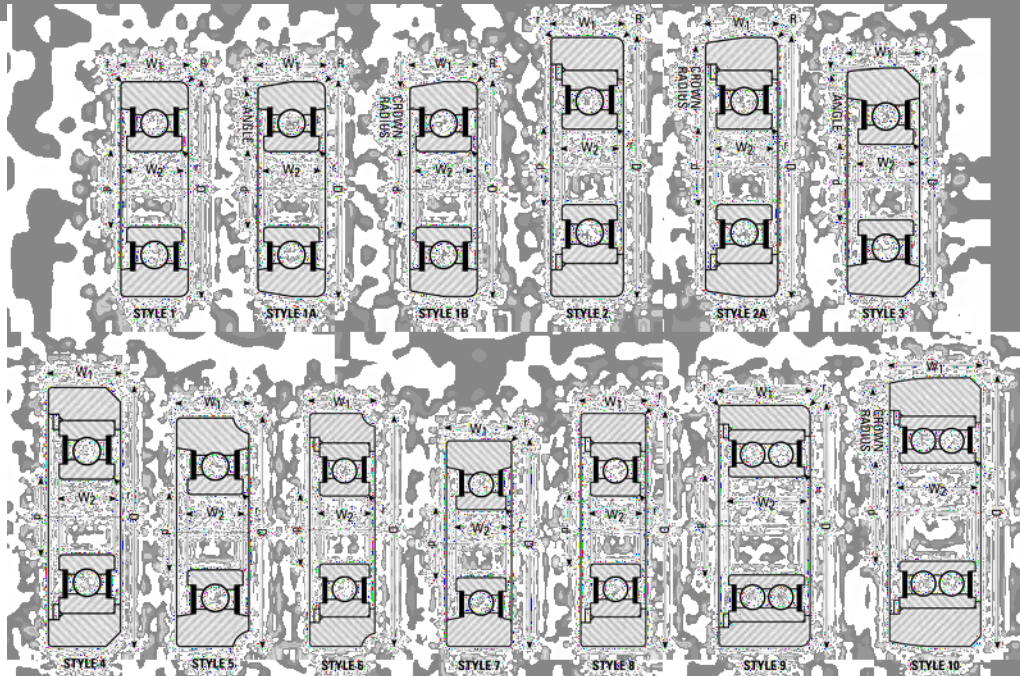
Journal Roller Bearings

"J" Series

Journal Assembly Number	Shaft Diameter A	Housing Bore B	Minimum Operation Width C	Bearing Assembly Width D	Roller Diameter
J-401640	1.250	1.750	1.250	1.203	0.250
J-401648	1.250	1.750	1.500	1.453	0.250
J-401652	1.250	1.750	1.625	1.578	0.250
J-401656	1.250	1.750	1.750	1.688	0.250
J-401664	1.250	1.750	2.000	1.938	0.250
J-401672	1.250	1.750	2.250	2.188	0.250
J-401680	1.250	1.750	2.500	2.422	0.250
J-402048	1.250	1.875	1.500	1.438	0.313
J-402064	1.250	1.875	2.000	1.938	0.313
J-402464	1.250	2.000	2.000	1.938	0.375
J-402480	1.250	2.000	2.500	2.422	0.375
JV-441419	1.375	1.813	0.563	0.547	0.219
J-482040	1.500	2.125	1.250	1.203	0.313
J-482064	1.500	2.125	2.000	1.938	0.313
J-662456	2.063	2.813	1.750	1.672	0.375
J-782039	2.438	3.063	1.219	1.188	0.313
J1142039	3.563	4.188	1.219	1.188	0.313
J1202026	3.750	4.375	0.813	0.766	0.313
J1282446	4.000	4.750	1.438	1.375	0.375

Mast Guide Bearings

Style Listing



Part Number	Style	Bore d		O.D. D	Inner ring W2		Outer Ring W1	Radius R	Fillet r (*)
		Inch	mm		Inch	mm			
MG-305-DD	1	0.984	25	3.000	0.669	17	1.000	.330	.040
MG-305-DDA	1	1.000	-	2.937	0.669	17	1.000	.330	.040
MG-306-DDB	1	1.181	30	3.250	0.748	19	1.062	.343	.040
MG-306-DD	1	1.181	30	3.500	0.748	19	1.000	.375	.040
MG-307-FFK	1	1.378	35	3.725	0.827	21	1.000	.375	.060
MG-307-FFH	1	1.378	35	3.990	0.827	21	1.125	.370	.060
MG-307-FFA	1	1.378	35	4.000	0.827	21	1.125	.375	.060
MG-308-FFHM	1	1.575	40	4.000	0.906	23	1.125	.250	.060
MG-308-FFA	1	1.575	40	4.486	0.906	23	1.125	.375	.060
MG-309-DDA	1	1.772	45	5.003	0.984	25	1.250	.313	.060
MG-311-FFA	1	2.165	55	5.980	1.142	29	1.500	.438	.040
MG-311-ZZA	1	2.165	55	5.980	1.142	29	1.500	.438	.080
MG-311-FF	1	2.165	55	6.468	1.142	29	1.500	.438	.040
MG-5211-VR	10	2.165	55	5.385	1.518	-	1.885	.060	.060
MG-5211-VFFA	10	2.165	55	6.270	1.518	-	1.885	.060	.060
MG-308-FFB	1A	1.575	40	4.000	0.906	23	1.125	.375	.060

(*) Bearing Corner Radii Will Clear Maximum Fillet Radius Shown

Mast Guide Bearings

Style Listing - Continued

Part Number	Style	Bore		O.D.	Inner ring		Outer Ring	Radius	Fillet
		d		D	W2		W1	R	r (*)
		Inch	mm	Inch	Inch	mm	Inch	Inch	Inch
MG-305-DDB	1B	0.984	25	3.000	0.669	17	1.000	.250	.040
MG-307-FFP	1B	1.378	35	3.990	0.827	21	1.125	.276	.060
MG-307-FFM	1B	1.378	35	3.993	0.827	21	1.125	.240	.060
MG-309-DDB	1B	1.772	45	5.003	0.984	25	1.250	.313	.040
MG-208-FFH	2	1.575	40	3.740	0.828	-	1.135	.312	.040
MG-208-FFK	2	1.575	40	3.990	0.828	-	1.135	.375	.040
MG-208-FFJ	2	1.575	40	4.016	0.828	-	1.135	.375	.040
MG-206-FFH	2A	1.181	30	3.130	0.653	-	1.125	.250	.040
MG-206-FFU	2A	1.181	30	3.194	0.653	-	1.152	.236	.040
MG-206-FFA	3	1.181	30	3.200	0.771	-	1.000	-	.040
MG-208-FFA	3	1.575	40	3.970	0.771	-	1.000	-	.040
MG-307-FFE	4	1.378	35	3.990	0.827	21	1.125	-	.060
MG-207-FFH	5	1.378	35	3.592	0.827	21	1.255	-	.040
MG-207-FFJ	5	1.378	35	3.592	0.787	20	1.255	-	.040
MG-207-FFK	5	1.378	35	4.382	0.827	21	1.192	-	.040
MG-207-FFB	6	1.378	35	3.480	0.669	17	1.255	.063	.040
MG-307-FFB	6	1.378	35	3.980	0.827	21	1.255	.125	.060
MG-209-DD	6	1.772	45	3.975	0.748	19	1.121	.125	.080
MG-207-FFA	7	1.378	35	3.223	0.674	-	1.067	.125	.040
MG-5311-VFFA	8	2.165	55	6.440	1.938	-	2.067	.437	.118
MG-5311-VZZA	8	2.165	55	6.440	1.938	-	2.067	.437	.118
MG-5208-VFF	9	1.575	40	4.082	1.193	-	1.760	-	.040
MG-5208-VFFA	9	1.575	40	4.082	1.193	-	1.698	-	.040
MG-5208-VFFE	9	1.575	40	4.990	1.193	-	1.698	-	.040

Needle Bearings Prefixes and Suffixes

PREFIX	SUFFIX	EXPLANATION
B		Drawn cup needle bearing – Inch Series – Open End
B	Q	Loose needle
BCE		Shell bearing w/closed ends
BH		Drawn cup needle bearing – Closed End
C	Q	Loose needle bearings
DB		Drawn cup needle bearing
DD		Drawn cup needle bearing – Closed End
DK		Drawn cup needle bearing
F		Caged needle bearing
FC		Sealed shell needle bearing w/cage
G	Q	Loose needle
HJ		Heavy duty needle roller bearing w/o inner race
HK		Shell bearing w/open end
IR		Inner race – Drawn cup
J		Drawn cup needle roller bearing – Inch Series – Small Rollers – Open End
JH		Drawn cup needle bearing – Caged – Inch Series – Large Rollers – Open End
M		Drawn cup needle bearing – Inch Series – Closed End
MNJ		Drawn cup needle bearing – Metric Series – Closed End
NTA		Needle Thrust Assembly
O	Q	Loose needle
	OH	Oil Hole
P	Q	Loose needle
Q		Loose needle
	Q	Loose needle
QA		Loose needle
QAR		Loose needle
QBR		Loose needle
	S	Seal
S	Q	Loose needle
SCE		Drawn cup needle bearing – Inch Series – Open End
SCH		Drawn cup needle bearing – Heavy Series – Open End
W	Q	Loose needle
WJ		Cage roller assembly – Inch Series
	X1	Oil hole – (Off Center)

Needle Bearings

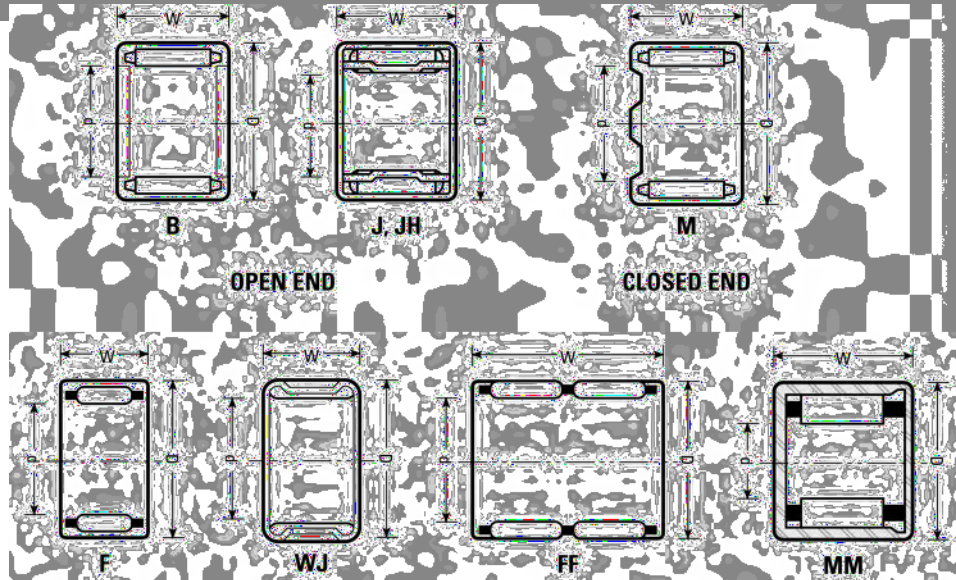
Bore Size Listing



Bearing Number	Shaft			Mounting Dimensions				Type
	Diameter	O.D.	Width	Shaft Diameter		Housing Diameter		
	d	D	W	Min.	Max.	Min.	Max.	
SCH-78	0.4370	0.6870	0.5000	0.4370	0.4375	0.6870	0.6880	J
HK-1210	0.4720	0.6300	0.3860	-	0.4720	-	-	B
HK-1216	0.4724	0.7087	0.6299	0.4719	0.4724	0.7087	0.7097	B
B-88	0.5000	0.6870	0.5000	0.4995	0.5000	0.6870	0.6880	B
FC-65354	0.5895	0.8270	0.5910	0.5895	0.5901	0.8260	0.8270	JH
FC-65446	0.5900	0.9450	0.6100	0.5895	0.5901	0.9449	0.9457	F
152016	0.5905	0.7874	0.6290	-	-	-	-	B
HK-1512	0.5906	0.8268	0.4720	0.5901	0.5906	0.8268	0.8278	B
F-85265	0.5906	0.8268	0.5910	-	-	-	-	FC
F-212285	0.5906	0.9449	1.0236	0.5901	0.5906	0.9449	0.9459	-
57080	0.5910	1.0955	0.7250	-	-	-	-	MM
F-33126	0.5933	0.8268	0.5910	0.5930	0.5937	0.8260	0.8270	JH
FC-66426	0.5934	1.0546	0.7190	-	-	-	-	F

Needle Bearings

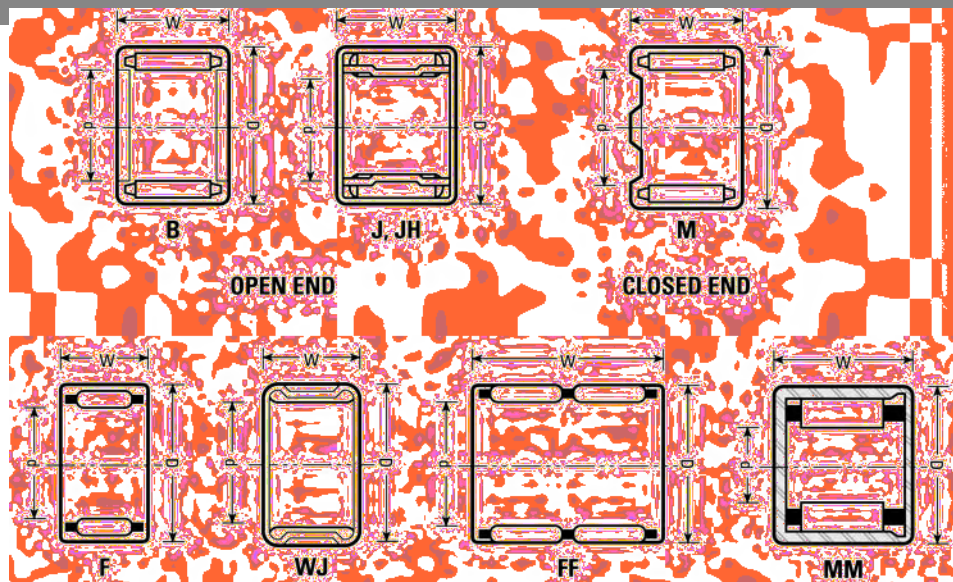
Bore Size Listing - Continued



Bearing Number	Shaft Diameter d	O.D. D	Width W	Mounting Dimensions				Type
				Shaft Diameter Min.	Shaft Diameter Max.	Housing Diameter Min.	Housing Diameter Max.	
SCE-108	0.6250	0.8125	0.5000	0.6245	0.6250	0.8125	0.8135	JH
MNJ-471-S	0.6699	0.9370	0.6700	0.6688	0.6699	0.9370	0.9380	M
FC-65662	0.6721	1.4400	0.6700	0.6710	0.6733	1.4300	1.4500	SPCL
FC-68329	0.6721	1.4870	0.7320	0.6716	0.6721	1.4870	1.4880	-
FC-65174	0.6730	1.4500	0.6880	-	-	-	-	F
FC-66067	0.6733	1.8525	0.6700	-	-	-	-	F
HK-1816	0.7087	0.9449	0.6299	0.7082	0.7087	0.9449	0.9459	B
F-85706	0.7087	0.9449	0.6300	-	-	-	-	F
S-128	0.7500	1.0000	0.5000	0.7495	0.7500	0.9995	1.0005	B
SCE-1295	0.7500	1.0000	0.5618	0.7500	0.7545	1.0000	1.0010	JH
SCE-1211	0.7500	1.0000	0.6874	0.7500	0.7545	1.0000	1.0010	JH
DB-53313	0.8000	1.0250	0.3890	0.7871	0.7874	1.0227	1.0232	WJ
SCH-1310	0.8125	1.1250	0.6252	0.8120	0.8125	1.1250	1.1260	J
FC-65753	0.8550	1.5190	0.2600	0.8545	0.8550	1.5190	1.5200	F

Needle Bearings

Bore Size Listing - Continued



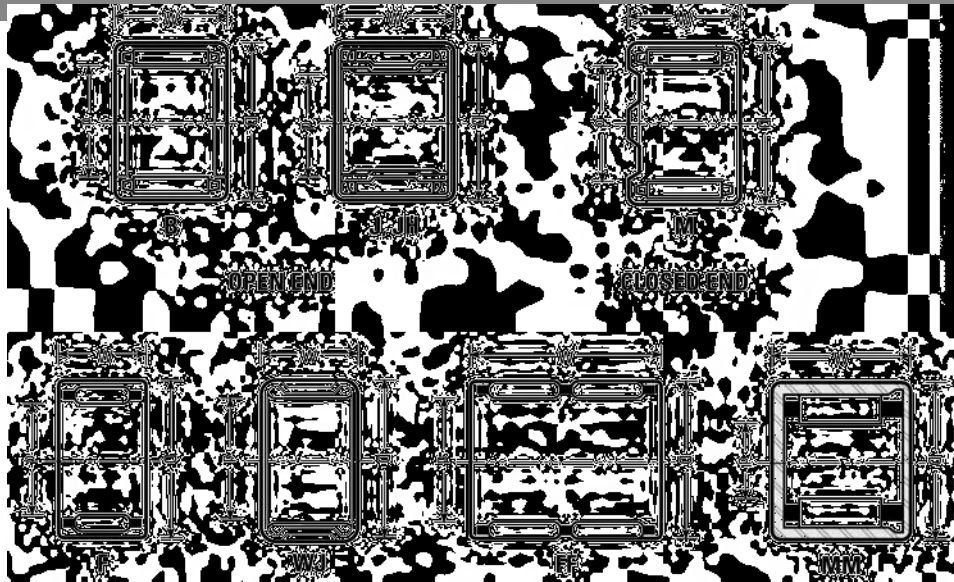
Bearing Number	Shaft			Mounting Dimensions				Type
	Diameter	O.D.	Width	Shaft Diameter		Housing Diameter		
	d	D	W	Min.	Max.	Min.	Max.	
SCE-148	0.8750	1.1250	0.5000	0.8745	0.8750	1.1245	1.1255	JH
B-1412	0.8750	1.1250	0.7500	0.8745	0.8750	1.1245	1.1255	B
JH-1416	0.8750	1.1870	1.0000	0.8745	0.8750	1.1870	1.1880	JH
B-2516	0.9843	1.2598	0.6299	0.9838	0.9843	1.2598	1.2608	B
B-168	1.0000	1.2500	0.5000	0.9995	1.0000	1.2495	1.2505	B
B-1612	1.0000	1.2500	0.7500	0.9995	1.0000	1.2495	1.2505	B
B-1616	1.0000	1.2500	1.0000	0.9995	1.0000	1.2495	1.2505	B
JH-1612	1.0000	1.3120	0.7500	0.9995	1.0000	1.3120	1.3130	JH
WJ-162116	1.0000	1.3120	1.0000	0.9996	1.0000	1.3130	1.3136	WJ
HK-2816	1.1024	1.3780	0.6299	1.1019	1.1024	1.3780	1.3790	B
JH-1818	1.1245	1.5005	1.1250	1.1245	1.1250	1.4995	1.5005	JH
FWA-1830	1.1245	1.8740	1.2622	-	-	-	-	-
SCE-188	1.1250	1.3750	0.5000	1.1245	1.1250	1.3745	1.3755	JH
M-18161	1.1250	1.3750	1.0000	1.2450	1.1250	1.3745	1.3755	M
B-1816	1.1250	1.3750	1.0000	1.1245	1.1250	1.3745	1.3755	B
JH-1812	1.1250	1.5000	0.7500	1.1245	1.1250	1.4995	1.5005	JH
FC-66561	1.1250	1.5000	0.8700	1.1245	1.1250	1.4995	1.5005	FC
WJ-182420	1.1250	1.5000	1.2500	1.1246	1.1250	1.5004	1.5010	WJ

bearing
specification:
001011011101100110101
001011011101100110101

TIMKEN®

Needle Bearings

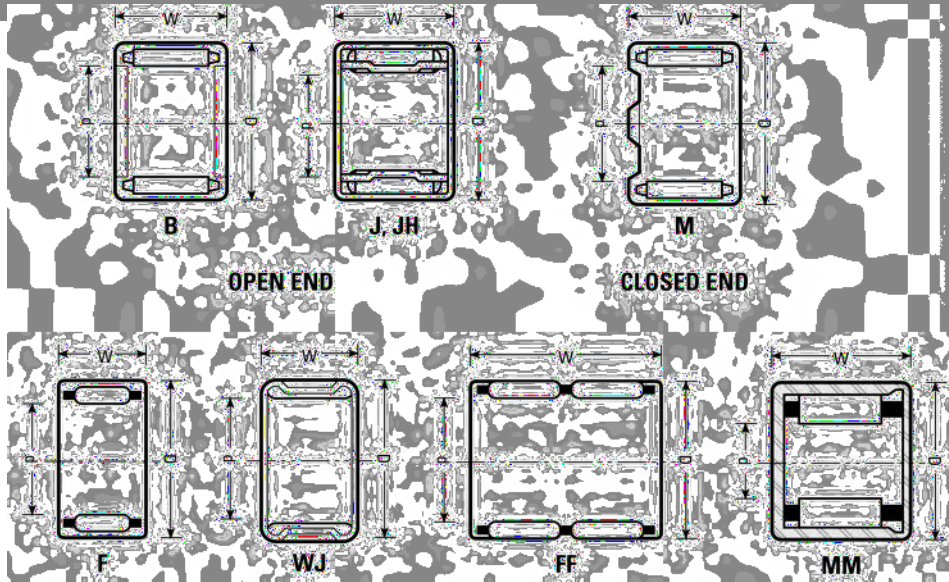
Bore Size Listing - Continued



Bearing Number	Shaft			Mounting Dimensions				Type
	Diameter	O.D.	Width	Shaft Diameter		Housing Diameter		
	d	D	W	Min.	Max.	Min.	Max.	
F-54970	1.1250	1.6250	1.3120	1.1245	1.1250	1.6250	1.6260	F
SCH-1810	1.1319	1.5000	0.6252	1.1314	1.1319	1.5000	1.5010	J
F-597071	1.1811	1.4173	1.1811	1.1806	1.1811	1.4173	1.4183	F
HK-3016	1.1811	1.4567	0.6299	1.1806	1.1811	1.4567	1.4577	B
BH-3026	1.1811	1.4567	1.0236	1.1806	1.1811	1.4567	1.4577	B
FA-55505	1.1830	1.8500	0.1250	-	-	-	-	-
512224	1.2350	1.6250	0.7500	-	-	-	-	B
BH-2012	1.2490	1.6250	0.7500	1.2495	1.2500	1.6245	1.6255	-
B-2010	1.2500	1.5000	0.6250	1.2495	1.2500	1.4995	1.5005	B
B-2012	1.2500	1.5000	0.7500	1.2495	1.2500	1.4995	1.5005	B
SCE-2014-P	1.2500	1.5000	0.8750	1.2495	1.2500	1.4995	1.5005	JH
BH-208	1.2500	1.6245	0.5000	1.2495	1.2500	1.6245	1.6255	-
FC-662662	1.2598	1.4567	1.4173	1.2593	1.2598	1.4567	1.4567	FF
F-213118	1.2598	2.0276	0.7283	1.2593	1.2598	2.0276	2.0286	-
FC-68336	1.2598	2.2889	0.8772	1.2593	1.2598	2.2889	2.2899	-

Needle Bearings

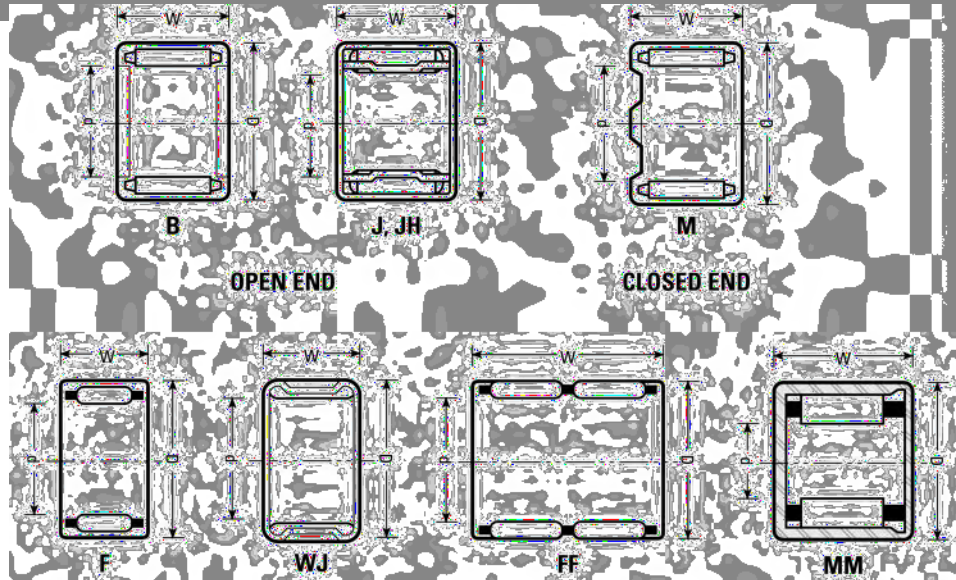
Bore Size Listing - Continued



Bearing Number	Shaft			Mounting Dimensions				Type
	Diameter	O.D.	Width	Shaft Diameter		Housing Diameter		
	d	D	W	Min.	Max.	Min.	Max.	
DK-55836	1.2824	2.2520	0.6850	-	-	-	-	M
B-2110	1.3120	1.6250	0.6250	1.3120	1.3125	1.6245	1.6255	B
B-228	1.3750	1.6250	0.5000	1.3745	1.3750	1.6250	1.6260	B
BH-2212	1.3750	1.7500	0.7500	1.3745	1.3750	1.7495	1.7505	B
SCH-2216	1.3750	1.7500	0.9300	1.3750	1.3760	1.7500	1.7510	J
HJ-223020	1.3750	1.8750	1.2500	-	-	-	-	WJ
FC-67945	1.3768	2.1476	0.3269	1.3763	1.3768	2.1476	2.1486	F
11739	1.3780	1.6535	0.7800	1.3772	1.3779	1.6543	1.6550	F
F-93934	1.4567	1.6535	1.1811	1.4552	1.4556	1.6535	1.6545	FF
B-2410	1.5000	1.8745	0.6250	1.4995	1.5000	1.8745	1.8755	B
B-2412	1.5000	1.8750	0.7500	1.4995	1.5000	1.8745	1.8755	B
B-2414	1.5000	1.8750	0.8750	1.4995	1.5000	1.8745	1.8755	B
BCE-2416	1.5000	1.8750	1.0000	1.4995	1.5000	1.8745	1.8755	MM
J-2416	1.5000	1.8750	1.0000	1.4995	1.5000	1.8745	1.8755	JH
SCE-2420	1.5000	1.8750	1.2500	1.4995	1.5000	1.8745	1.8755	JH
F-94488	1.5568	1.8699	1.4720	1.5562	1.5568	1.8707	1.8715	FF

Needle Bearings

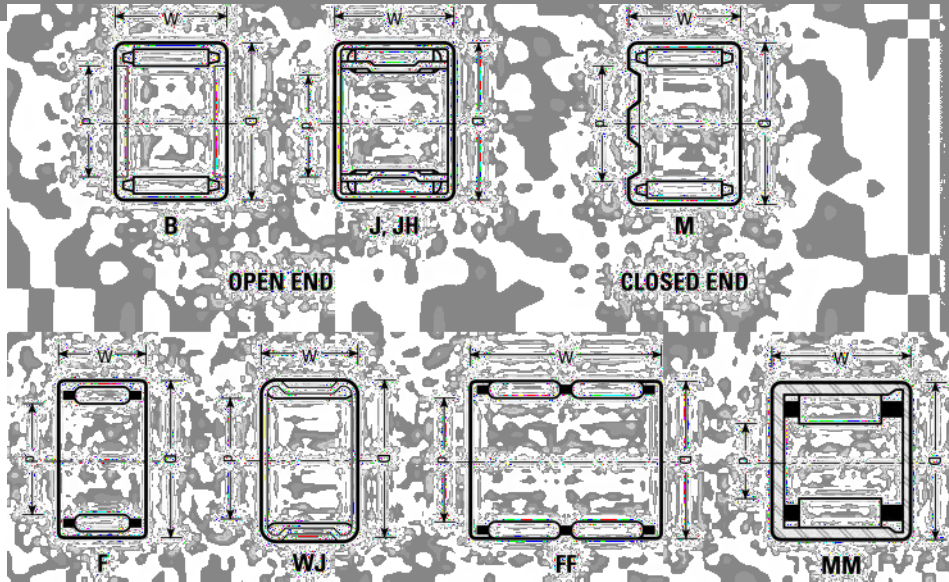
Bore Size Listing - Continued



Bearing Number	Shaft			Mounting Dimensions				Type
	Diameter d	O.D. D	Width W	Shaft Diameter		Housing Diameter		
				Min.	Max.	Min.	Max.	
F-4020	1.5740	1.8496	0.7874	1.5742	1.5748	1.8491	1.8501	B
HK-4012	1.5748	1.8504	0.4724	1.5743	1.5748	1.8504	1.8514	B
FW-404820	1.5748	1.8890	0.7870	1.5744	1.5748	1.8901	1.8907	F
FC-66998	1.5748	1.9696	0.6004	1.5743	1.5748	1.9696	1.9706	F
S-268	1.6250	2.0000	0.5000	1.6245	1.6250	2.0000	2.0010	B
B-2610	1.6250	2.0000	0.6250	1.6245	1.6250	1.9995	2.0005	B
FC-68096	1.6462	2.5354	0.5984	1.6457	1.6462	2.5354	2.5364	F
F-218255	1.6535	1.8504	1.0748	1.6530	1.6535	1.8504	1.8514	FF
F-209031	1.6929	1.8897	1.5551	1.6924	1.6929	1.8897	1.8907	FF
B-2812	1.7500	2.1250	0.7500	1.7495	1.7500	2.1245	2.1255	B
B-2816	1.7500	2.1250	1.0000	1.7495	1.7500	2.1245	2.1255	B
M-28161	1.7500	2.1250	1.0000	1.7495	1.7500	2.1245	2.1255	M
FW-455017	1.7716	1.9685	0.6693	1.7713	1.7717	1.9715	1.9721	F
FW-475325	1.8503	2.0867	0.9842	1.8496	1.8500	2.0870	2.0878	F
B-3012	1.8750	2.2505	0.7500	1.8745	1.8750	2.2505	2.2515	B

Needle Bearings

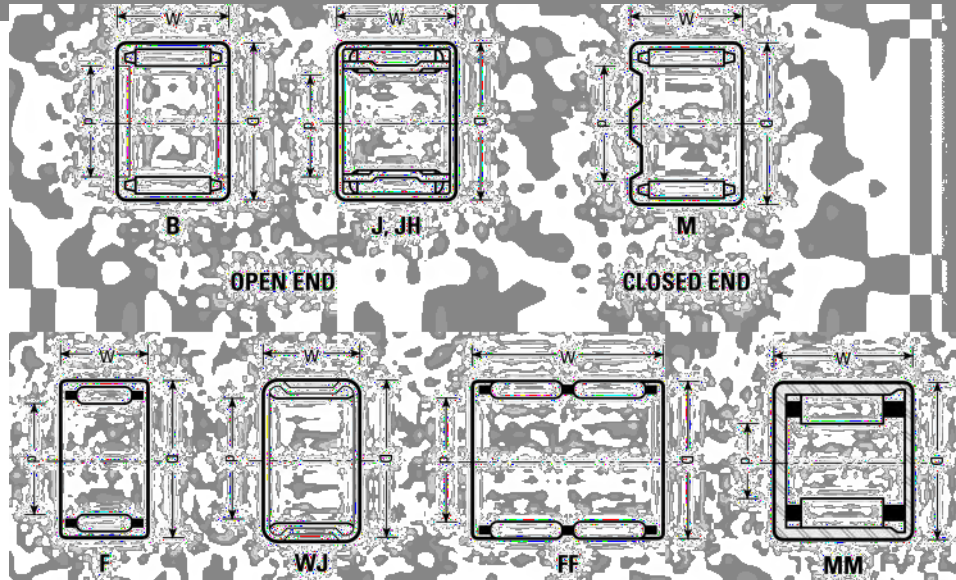
Bore Size Listing - Continued



Bearing Number	Shaft			Mounting Dimensions				Type
	Diameter	O.D.	Width	Shaft Diameter		Housing Diameter		
	d	D	W	Min.	Max.	Min.	Max.	
FW-50520	1.9680	2.1653	0.7850	1.9677	1.9681	2.1657	2.1665	F
F-209348	1.9680	2.1653	1.9480	1.9679	1.9685	2.1645	2.1655	FF
B-3210	2.0000	2.3750	0.6150	1.9994	2.0000	2.3745	2.3755	B
B-5020	2.0000	2.3750	0.7860	1.9681	1.9700	2.2822	2.2829	B
B-3216	2.0000	2.3750	1.0000	1.9994	2.0000	2.3745	2.3755	B
M-32161	2.0000	2.3750	1.0000	1.9994	2.0000	2.3745	2.3755	M
F-84003	2.0472	2.3228	1.4880	2.0467	2.0472	2.3232	2.3240	FF
DD-46386	2.1140	2.6250	1.0000	2.1137	2.1143	2.6245	2.6255	M
FW-556020	2.1654	2.3622	0.7870	2.1646	2.1650	2.3625	2.3631	F
FWH-556320	2.1654	2.4803	0.7795	2.1646	2.1654	2.4807	2.4815	F
B-3616	2.2500	2.6250	1.0000	2.2494	2.2500	2.6245	2.6255	B
B-3624	2.2500	2.6250	1.5000	2.2494	2.2500	2.6245	2.6255	B
B-3612	2.2500	2.6255	0.7500	2.2495	2.2500	2.6255	2.6245	B
F-94490	2.2555	2.5686	1.5550	2.2549	2.2555	2.5694	2.5702	FF
F-95407	2.2835	2.5590	1.9610	2.2815	2.2823	2.5590	2.5598	FF

Needle Bearings

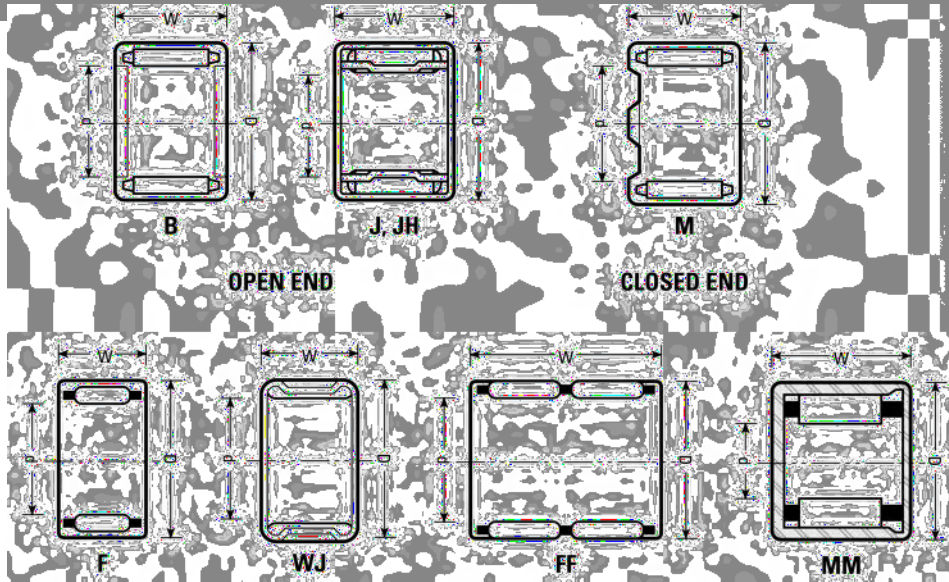
Bore Size Listing - Continued



Bearing Number	Shaft Diameter	O.D. D	Width W	Mounting Dimensions				Type
	d			Shaft Diameter		Housing Diameter		
				Min.	Max.	Min.	Max.	
F-206755	2.3622	2.5984	1.6535	2.3617	2.3622	2.5984	2.5994	FF
FW-657020	2.5591	2.7559	0.7870	2.5581	2.5587	2.7563	2.7570	F
FW-657030	2.5591	2.7559	1.1730	2.5583	2.5591	2.7563	2.7570	F
F-93290	2.5591	2.7559	1.5670	2.5571	2.5579	2.7559	2.7567	FF
F-54540	2.5750	2.7350	2.1740	2.5745	2.5750	2.7470	2.7520	F
F-206756	2.6377	2.8740	1.4566	2.6372	2.6377	2.8740	2.8750	FF
F-87946	2.6770	2.9133	1.5748	2.6763	2.6780	2.9138	2.9145	FF
687430	2.6772	2.9134	1.1730	2.6760	2.6770	2.9130	2.9140	F
F-53540	2.7490	2.9998	2.1140	2.7485	2.7490	3.0010	3.0015	F
FW-707620	2.7550	2.9921	0.7870	2.7550	2.7555	2.9925	2.9933	F
F-208323	2.8740	3.1102	1.9480	2.8374	2.8740	3.1092	3.1102	FF
F-81205	2.9508	3.1892	1.5470	2.9508	2.9516	3.1892	3.1900	F
808840	3.1490	3.4640	1.5590	3.1480	3.1490	3.4654	3.4659	FF

Needle Bearings

Bore Size Listing - Continued

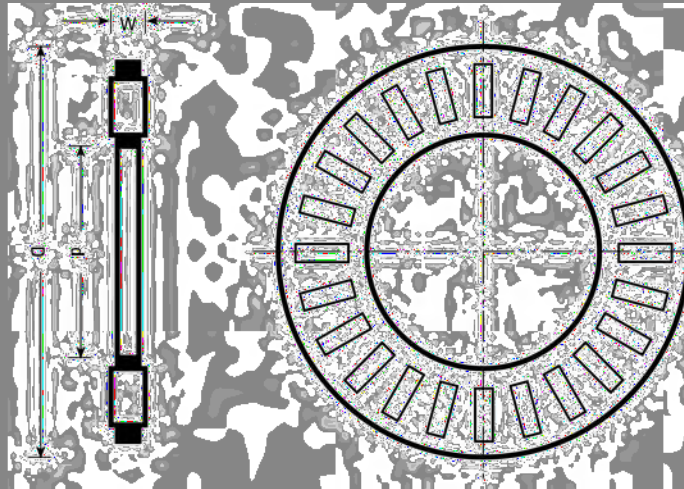


Bearing Number	Shaft			Mounting Dimensions				Type
	Diameter	O.D.	Width	Shaft Diameter		Housing Diameter		
	d	D	W	Min.	Max.	Min.	Max.	
F-56619	3.1500	3.4650	1.7910	3.1487	3.1492	3.4650	3.4659	F
F-53543	3.5297	3.8467	2.1660	3.5292	3.5297	3.8481	3.8486	F

bearing
specification:
0010110111011100110101
0010110111011100110101

TIMKEN®

Needle Thrust Bearings



Size Listing

Bearing Number	Bore d	Outside Diameter D	Width W	Number of Rollers
NTA-815	0.500	0.937	0.0781	16
NTA-916	0.562	1.000	0.0781	18
FA-20157	0.690	1.600	0.0781	30
NTA-1625	1.002	1.562	0.0781	30
NTA-2031	1.252	1.927	0.0781	18
NTA-2233	1.377	2.062	0.0781	40
TC-2435	1.502	2.177	0.0781	44
FA-35688	1.502	2.177	0.1562	27
AXK-4060	1.575	2.362	0.1181	32
NTA-2840	1.752	2.500	0.0781	48
AXK-5070	1.970	2.750	0.1181	40

Loose Needle Bearings



Part Number	Diameter Inch	Length Inch	Roller Qty	Type
Q-8113	0.0779	0.670	132	S
Q-8296	0.1115	0.432	29	S
Q-11406	0.1250	0.490	26	S
Q-8304	0.1250	0.560	122	S
Q-8371	0.1250	0.614	110	S
C-407-Q	0.1250	0.750	52	S
C-1086-Q	0.1250	0.938	23	S
B-1316-Q	0.1250	1.000	52	S
Q-8308	0.1250	1.180	116	S
C-437-Q	0.1250	1.250	61	S
QA-47838	0.1540	1.252	52	S
QAR-35319	0.1560	0.646	22	S
QA-48181-A	0.1561	0.658	56	S
QAR-33724	0.1562	0.900	42	S
S-443-Q	0.1582	0.740	82	S
C-1960-Q	0.1584	0.544	70	S
S-444-Q	0.1590	1.000	186	S
Q-13367	0.1872	1.187	48	S
C-1110-Q	0.1875	0.527	16	S
Q-8320	0.1875	0.750	76	S
Q-8321	0.1875	0.870	42	S
C-436-Q	0.1875	1.000	45	S
Q-6086	0.1875	1.125	36	S
C-672-Q	0.1875	1.375	38	S
Q-8324	0.1875	1.620	21	S

bearing
specification:
0010110111011100110101
0010110111011100110101

TIMKEN®

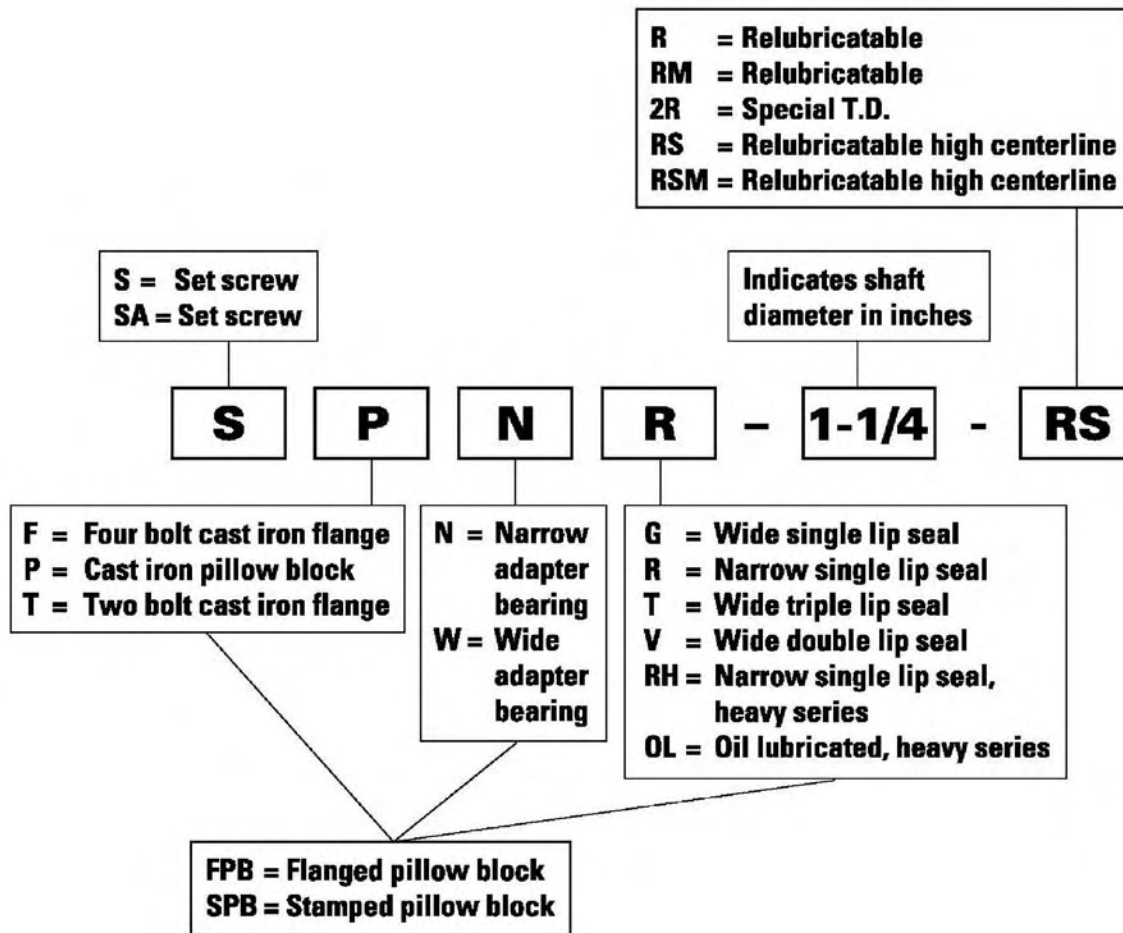
Loose Needle Bearings



Part Number	Diameter Inch	Length Inch	Roller Qty	Type
QBR-23549	0.2182	0.538	16	F
QA-19792	0.2182	0.625	14	S
W-1518-Q	0.2182	0.752	20	S
QAR-29523	0.2186	0.980	15	S
W-1590-Q	0.2325	1.000	18	S
QAR-34604	0.2498	0.600	17	S
QBR-42536	0.2790	1.000	14	F
Q-15902	0.2812	0.687	14	S
QBR-35171	0.3120	1.000	15	F
W-585-Q	0.3126	0.623	16	F
QBR-49845	0.3146	0.802	14	F
O-513-Q	0.3758	0.750	14	F

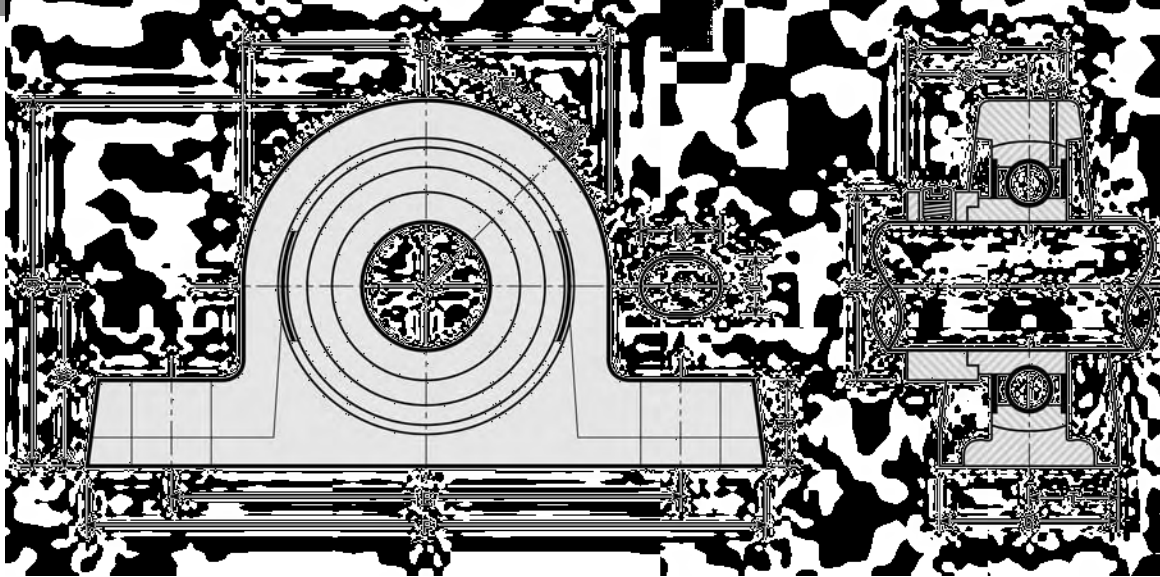
Power Transmission Section

POWER TRANSMISSION UNITS



Cast Iron Pillow Blocks

Extended Inner Ring Bearing w/ Narrow Seals



POWER TRANSMISSION

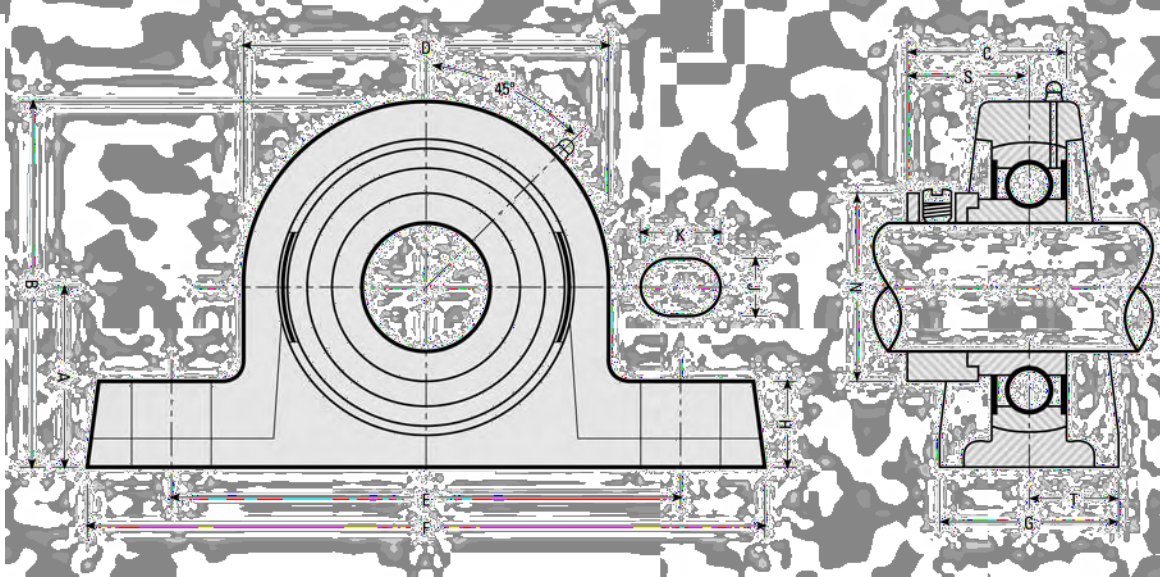
"PNR" Series

Part Number *	Basic															Bolt Size
	Outer Ring	Shaft Dia.	A	B	C	D	E	F	G	H	J	K	N	S	T	
PNR-1/2-R	203	1/2	1.063	2.125	1.125	2.125	3.500	4.750	1.250	.500	.438	.563	1.167	.875	.625	3/8
PNR-1/2-RS	203	1/2	1.188	2.250	1.125	2.125	3.500	4.750	1.125	.500	.438	.563	1.167	.875	.625	3/8
PNR-5/8-R	203	5/8	1.063	2.125	1.125	2.125	3.500	4.750	1.250	.500	.438	.563	1.167	.875	.625	3/8
PNR-5/8-RS	203	5/8	1.188	2.250	1.125	2.125	3.500	4.750	1.250	.500	.438	.563	1.167	.875	.625	3/8
PNR-3/4-R	204	3/4	1.250	2.500	1.219	2.500	3.875	5.250	1.500	.563	.438	.625	1.313	.922	.750	3/8
PNR-3/4-RS	204	3/4	1.313	2.563	1.219	2.500	3.875	5.250	1.500	.563	.438	.625	1.313	.922	.750	3/8
PNR-1-R	205	1	1.313	2.688	1.219	2.750	4.125	5.500	1.625	.625	.438	.625	1.500	.922	.813	3/8
PNR-1-RS	205	1	1.438	2.813	1.219	2.750	4.125	5.500	1.625	.625	.438	.625	1.500	.922	.813	3/8
PNR-7/8-R	205	7/8	1.313	2.688	1.219	2.750	4.125	5.500	1.625	.625	.438	.625	1.500	.922	.813	3/8
PNR-7/8-RS	205	7/8	1.438	2.813	1.219	2.750	4.125	5.500	1.625	.625	.438	.625	1.500	.922	.813	3/8
PNR-1-1/4-2R	206	1 1/4	1.563	3.156	1.219	3.188	4.750	6.313	1.750	.750	.563	.750	1.750	1.047	.875	1/2
PNR-1-1/4-2RS	206	1 1/4	1.688	3.281	1.219	3.188	4.750	6.313	1.750	.750	.563	.750	1.750	1.047	.875	1/2
PNR-1-1/8-R	206	1 1/8	1.563	3.156	1.219	3.188	4.750	6.313	1.750	.750	.563	.750	1.750	1.047	.875	1/2
PNR-1-1/8-RS	206	1 1/8	1.688	3.281	1.219	3.188	4.750	6.313	1.750	.750	.563	.750	1.750	1.047	.875	1/2
PNR-1-3/16-RM	206	1 3/16	1.563	3.156	1.219	3.188	4.750	6.313	1.750	.750	.563	.750	1.750	1.047	.875	1/2
PNR-1-3/16-RMS	206	1 3/16	1.688	3.281	1.219	3.188	4.750	6.313	1.750	.750	.563	.750	1.750	1.047	.875	1/2
PNR-1-1/4-R	207	1 1/4	1.813	3.625	1.531	3.556	5.000	6.563	1.875	.813	.563	.750	2.125	1.156	.938	1/2
PNR-1-1/4-RS	207	1 1/4	1.875	3.688	1.531	3.556	5.000	6.563	1.875	.813	.563	.750	2.125	1.156	.938	1/2
PNR-1-7/16-R	207	1 7/16	1.813	3.625	1.531	3.556	5.000	6.563	1.875	.813	.563	.750	2.125	1.156	.938	1/2
PNR-1-7/16-RS	207	1 7/16	1.875	3.688	1.531	3.556	5.000	6.563	1.875	.813	.813	.750	2.125	1.156	.938	1/2

* Refer To Reference Chart For Bearing, Housing, Collar Number

Cast Iron Pillow Blocks

Extended Inner Ring Bearing w/ Narrow Seals - Continued



"PNR" Series

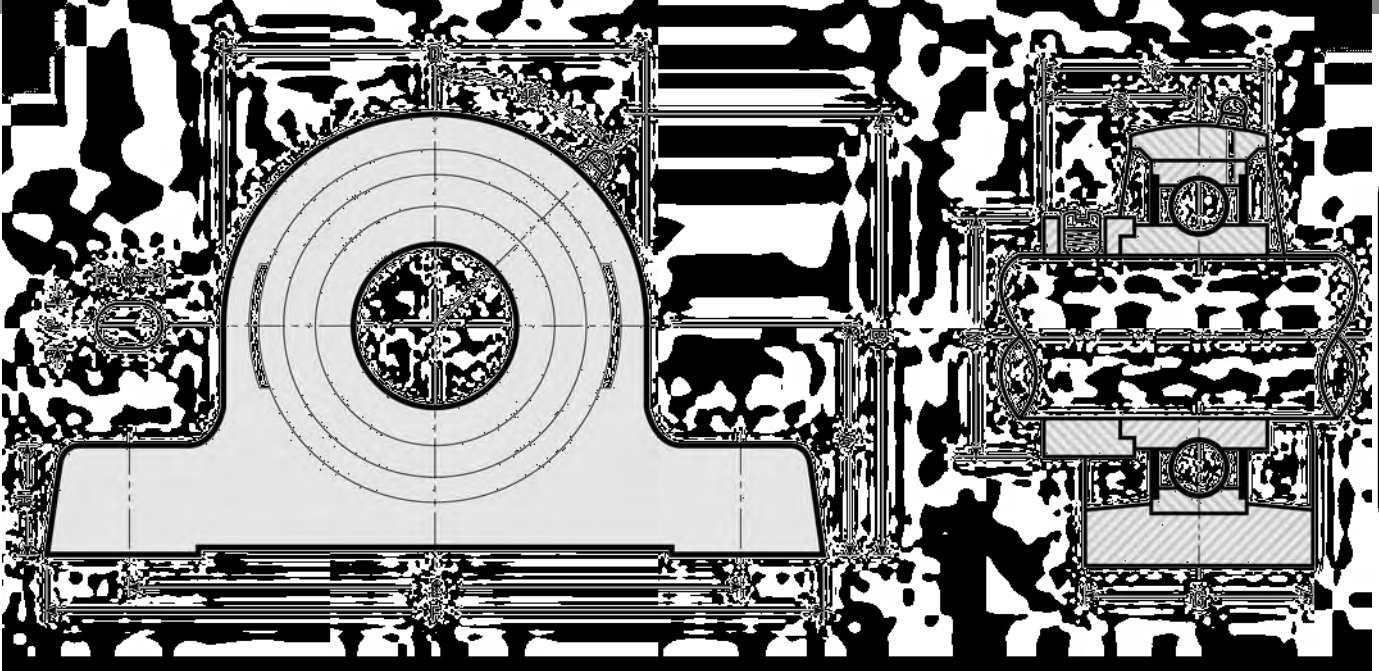
Part Number *	Basic Outer Ring	Shaft Dia.	A	B	C	D	E	F	G	H	J	K	N	S	T	Bolt Size
PNR-1-1/2-R	208	1 1/2	1.938	3.938	1.719	4.000	5.500	7.125	2.000	.875	.563	.750	2.375	1.281	1.000	1/2
PNR-1-1/2-RS	208	1 1/2	2.000	4.000	1.719	4.000	5.500	7.125	2.000	.875	.563	.750	2.375	1.281	1.000	1/2
PNR-1-3/4-R	209	1 3/4	2.063	4.188	1.781	4.250	5.750	7.500	2.125	.938	.563	.750	2.500	1.281	1.000	1/2
PNR-1-3/4-RS	209	1 3/4	2.125	4.250	1.719	4.250	5.750	7.500	2.125	.938	.563	.750	2.500	1.281	1.000	1/2

bearing
specification:
001011011101100110101
001011011101100110101

TIMKEN®

Cast Iron Pillow Blocks

Wide Inner Ring Bearing w/Wide Seals



POWER TRANSMISSION

"PWG" Series

Part Number *	Basic Outer Ring	Shaft Dia	A	B	C	D	E	F	G	H	J	K	N	S	Bolt Size
PWG-3/4-R	204	3/4	1.250	2.500	1.719	2.500	3.875	5.250	1.500	0.563	.438	0.625	1.313	1.047	3/8
PWG-3/4-RS	204	3/4	1.313	2.563	1.719	2.500	3.875	5.250	1.500	0.563	.438	0.625	1.313	1.047	3/8
PWG-1-R	205	1	1.313	2.688	1.750	2.750	4.125	5.500	1.625	0.625	.438	0.625	1.500	1.063	3/8
PWG-1-RS	205	1	1.438	2.813	1.750	2.750	4.125	5.500	1.625	0.625	.438	0.625	1.500	1.063	3/8
PWG-7/8-R	205	7/8	1.313	2.688	1.750	2.750	4.125	5.500	1.625	0.625	.438	0.625	1.500	1.063	3/8
PWG-7/8-RS	205	7/8	1.438	2.813	1.750	2.750	4.125	5.500	1.625	0.625	.438	0.625	1.500	1.063	3/8
PWG-13/16-R	205	13/16	1.313	2.688	1.750	2.750	4.125	5.500	1.625	0.625	.438	0.625	1.500	1.063	3/8
PWG-13/16-RS	205	13/16	1.438	2.813	1.750	2.750	4.125	5.500	1.625	0.625	.438	0.625	1.500	1.063	3/8
PWG-15/16-R	205	15/16	1.313	2.688	1.750	2.750	4.125	5.500	1.625	0.625	.438	0.625	1.500	1.063	3/8
PWG-15/16-RS	205	15/16	1.438	2.813	1.750	2.750	4.125	5.500	1.625	0.625	.438	0.625	1.500	1.063	3/8
PWG-1-1/8-R	206	1 1/8	1.563	3.156	1.906	3.188	4.750	6.313	1.750	0.750	.563	0.750	1.750	1.188	1/2
PWG-1-1/8-RS	206	1 1/8	1.688	3.281	1.906	3.188	4.750	6.313	1.750	0.750	.563	0.750	1.750	1.188	1/2
PWG-1-3/16-RM	206	1 3/16	1.563	3.156	1.906	3.188	4.750	6.313	1.750	0.750	.563	0.750	1.750	1.188	1/2
PWG-1-3/16-RMS	206	1 3/16	1.688	3.281	1.906	3.188	4.750	6.313	1.750	0.750	.563	0.750	1.750	1.188	1/2
PWG-1-1/4-R	207	1 1/4	1.813	3.625	2.016	3.625	5.000	6.563	1.875	0.813	.563	0.750	2.125	1.281	1/2
PWG-1-1/4-RS	207	1 1/4	1.875	3.688	2.016	3.625	5.000	6.563	1.875	0.813	.563	0.750	2.125	1.281	1/2
PWG-1-3/8-R	207	1 3/8	1.813	3.625	2.016	3.625	5.000	6.563	1.875	0.813	.563	0.750	2.125	1.281	1/2
PWG-1-3/8-RS	207	1 3/8	1.875	3.688	2.016	3.625	5.000	6.563	1.875	0.813	.563	0.750	2.125	1.281	1/2

* Refer To Reference Chart For Bearing, Housing, Collar Number

Cast Iron Pillow Blocks

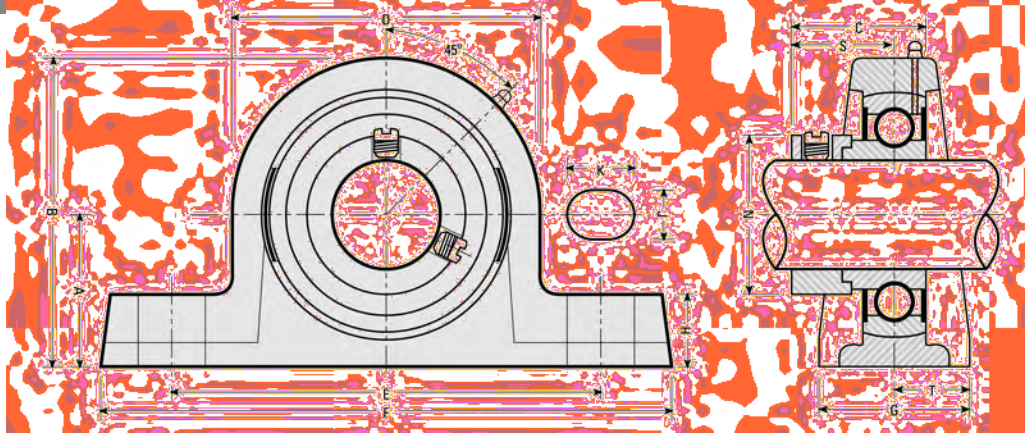
Wide Inner Ring Bearing w/Wide Seals - Continued "PWG" Series

Part Number *	Basic													Bolt Size	
	Outer Ring	Shaft Dia	A	B	C	D	E	F	G	H	J	K	N		S
PWG-1-5/16-RM	207	1 5/16	1.813	3.625	2.016	3.625	5.000	6.563	1.875	0.813	.563	0.750	2.125	1.281	1/2
PWG-1-5/16-RMS	207	1 5/16	1.875	3.688	2.016	3.063	5.000	6.563	1.875	0.813	.563	0.750	2.125	1.281	1/2
PWG-1-7/16-R	207	1 7/16	1.813	3.625	2.016	3.625	5.000	6.563	1.875	0.813	.563	0.750	2.125	1.281	1/2
PWG-1-7/16-RS	207	1 7/16	1.875	3.688	2.016	3.625	5.000	6.563	1.875	0.813	.563	0.750	2.125	1.281	1/2
PWG-1-1/2-R	208	1 1/2	1.938	3.938	2.219	4.000	5.500	7.125	2.000	0.875	.563	0.750	2.375	1.375	1/2
PWG-1-1/2-RS	208	1 1/2	2.000	4.000	2.219	4.000	5.500	7.125	2.000	0.875	.563	0.750	2.375	1.375	1/2
PWG-1-9/16-R	208	1 9/16	1.938	3.938	2.219	4.000	5.500	7.125	2.000	0.875	.563	0.750	2.375	1.375	1/2
PWG-1-9/16-RS	208	1 9/16	2.000	4.000	2.219	4.000	5.500	7.125	2.000	0.875	.563	0.750	2.375	1.375	1/2
PWG-1-3/4-R	209	1 3/4	2.063	4.188	2.219	4.250	5.750	7.500	2.125	0.938	.563	0.750	2.500	1.188	1/2
PWG-1-3/4-RS	209	1 3/4	2.125	4.250	2.219	4.250	5.750	7.500	2.125	0.938	.563	0.750	2.500	1.188	1/2
PWG-1-5/8-R	209	1 5/8	2.063	4.188	2.219	4.250	5.750	7.500	2.125	0.938	.563	0.750	2.500	1.188	1/2
PWG-1-5/8-RS	209	1 5/8	2.125	4.250	2.219	4.250	5.750	7.500	2.125	0.938	.563	0.750	2.500	1.188	1/2
PWG-1-11/16-R	209	1 11/16	2.063	4.188	2.219	4.250	5.750	7.500	2.125	0.938	.563	0.750	2.500	1.188	1/2
PWG-1-11/16-RS	209	1 11/16	2.125	4.250	2.219	4.250	5.750	7.500	2.125	0.938	.563	0.750	2.500	1.188	1/2
PWG-1-7/8-R	210	1 7/8	2.188	4.438	2.469	4.500	6.250	8.000	2.250	1.000	.563	0.750	3.750	1.500	1/2
PWG-1-7/8-RS	210	1 7/8	2.250	4.500	2.469	4.500	6.250	8.000	2.250	1.000	.563	0.750	3.750	1.500	1/2
PWG-1-13/16-R	210	1 13/16	2.188	4.438	2.469	4.500	6.250	8.000	2.250	1.000	.563	0.750	3.750	1.500	1/2
PWG-1-13/16-RS	210	1 13/16	2.250	4.500	2.469	4.500	6.250	8.000	2.250	1.000	.563	0.750	3.750	1.500	1/2
PWG-1-15/16-R	210	1 15/16	2.188	4.438	2.469	4.500	6.250	8.000	2.250	1.000	.563	0.750	3.750	1.500	1/2
PWG-1-15/16-RS	210	1 15/16	2.250	4.500	2.469	4.500	6.250	8.000	2.250	1.000	.563	0.750	3.750	1.500	1/2
PWG-2-R	211	2	2.438	4.906	2.813	4.938	7.125	9.125	2.375	1.063	.688	0.938	3.000	1.719	5/8
PWG-2-RS	211	2	2.500	4.969	2.813	4.938	7.125	9.125	2.375	1.063	.688	0.938	3.000	1.719	5/8
PWG-2-3/16-R	211	2 3/16	2.438	4.906	2.813	4.938	7.125	9.125	2.375	1.063	.688	0.938	3.000	1.719	5/8
PWG-2-3/16-RS	211	2 3/16	2.500	4.969	2.813	4.938	7.125	9.125	2.375	1.063	.688	0.938	3.000	1.719	5/8
PWG-2-1/4-R	212	2 1/4	2.688	5.375	3.063	5.375	7.500	9.500	2.500	1.125	.688	0.938	3.313	1.844	5/8
PWG-2-1/4-RS	212	2 1/4	2.750	5.438	3.063	5.375	7.500	9.500	2.500	1.125	.688	0.938	3.313	1.844	5/8
PWG-2-7/16-R	212	2 7/16	2.688	5.375	3.063	5.375	7.500	9.500	2.500	1.125	.688	0.938	3.313	1.844	5/8
PWG-2-7/16-RS	212	2 7/16	2.750	5.438	3.063	5.375	7.500	9.500	2.500	1.125	.688	0.938	3.313	1.844	5/8

bearing
specification:
0010110111011100110101
001011011101100110101

TIMKEN®

Cast Iron Pillow Blocks w/Hex Bore



"PHV" Series

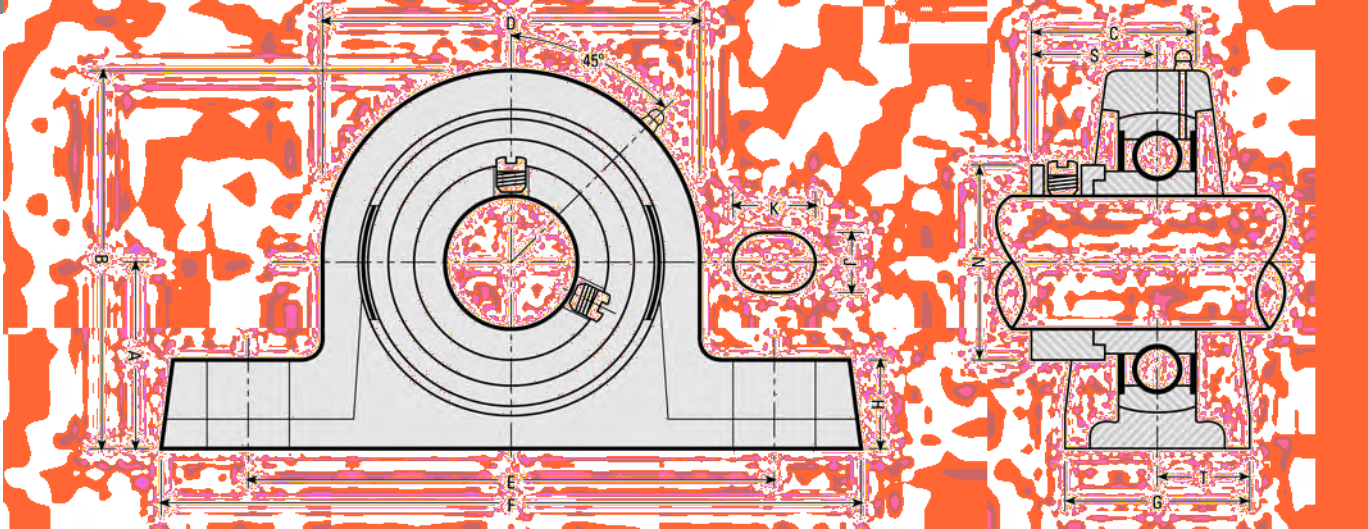
POWER TRANSMISSION

Part Number *	Basic Outer Ring	Shaft Dia.	Inches													
			A	B	C	D	E	F	G	H	J	K	N	S	T	
PHV-1-1/8-R	206	1 1/8	1.563	3.156	1.906	3.188	4.750	6.313	1.750	.750	.563	.750	1.750	1.188	.875	
PHV-1-1/8-RS	206	1 1/8	1.688	3.281	1.906	3.188	4.750	6.313	1.750	.750	.563	.750	1.750	1.188	.875	

* Refer To Reference Chart For Bearing, Housing, Collar Number
** Hex Bore - No Collar Required (Illustration For Dimensional Purposes Only)

Cast Iron Pillow Blocks

Wide Adapter Bearing w/Wide Seals



"PWT" Series

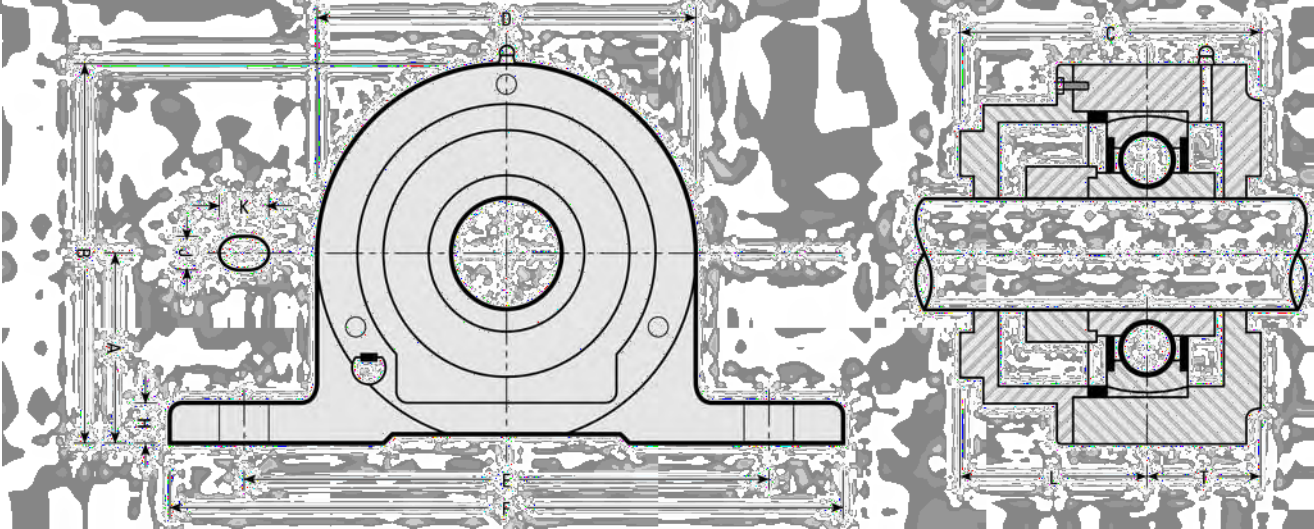
Part Number *	Basic Outer Ring	Shaft Dia.	A	B	C	D	E	F	G	H	J	K	N	S	T	Bolt Size
PWT-1-R	205	1	1.313	2.688	1.750	2.750	4.125	5.500	1.625	.625	.438	.625	1.500	1.063	.813	3/8
PWT-1-RS	205	1	1.438	2.813	1.750	2.750	4.125	5.500	1.625	.625	.438	.625	1.500	1.063	.813	3/8
PWT-1-1/4-R	207	1 1/4	1.188	3.625	2.016	3.625	5.000	6.563	1.875	.813	.563	.750	2.125	1.281	.938	1/2
PWT-1-1/4-RS	207	1 1/4	1.875	3.688	2.016	3.625	5.000	6.563	1.875	.813	.563	.750	2.125	1.281	.938	1/2
PWT-1-7/16-R	207	1 7/16	1.188	3.625	2.016	3.625	5.000	6.563	1.875	.813	.563	.750	2.125	1.281	.938	1/2
PWT-1-7/16-RS	207	1 7/16	1.875	3.688	2.016	3.625	5.000	6.563	1.875	.813	.563	.750	2.125	1.281	.938	1/2
PWT-1-11/16-R	209	1 11/16	2.063	4.188	2.219	4.500	5.750	7.500	2.125	.938	.563	.750	2.125	1.375	1.063	1/2
PWT-1-11/16-RS	209	1 11/16	2.125	4.250	2.219	4.500	5.750	7.500	2.125	.938	.563	.750	2.125	1.375	1.063	1/2
PWT-1-15/16-R	210	1 15/16	2.188	4.438	2.938	4.500	6.250	8.000	2.250	1.000	.563	.750	3.750	1.500	1.125	1/2
PWT-1-15/16-RS	210	1 15/16	2.250	4.500	2.938	4.500	6.250	8.000	2.250	1.000	.563	.750	3.750	1.500	1.125	1/2

bearing
specification:
001011011101100110101
001011011101100110101

TIMKEN®

Cast Iron Pillow Blocks

Wide Adapter Bearing - Oil Lubricated



POWER TRANSMISSION

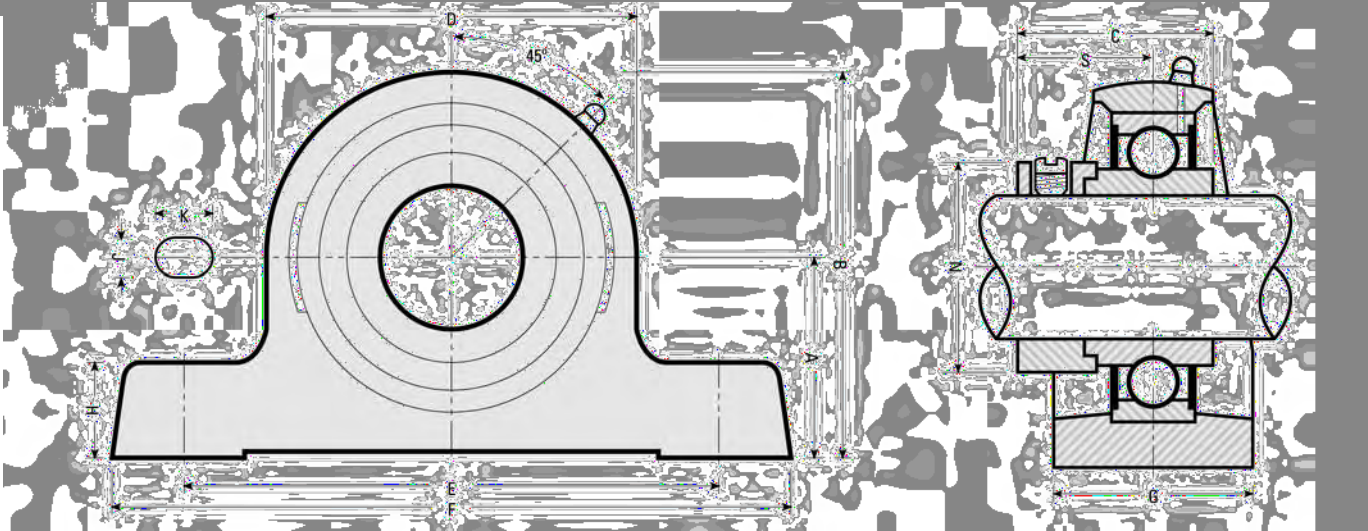
"PWOL" Heavy Series - Fixed and Floating **

Part Number *	Shaft Dia.	A	B	C	D	E	F	H	J	K	L	T	Axial Float
PWOL-1-15/16-R	1 15/16	3.125	6.250	4.813	5.438	9.000	11.375	.813	.750	1.000	2.906	1.906	.375
PWOL-2-3/16-R	2 3/16	3.750	7.125	5.500	6.750	10.250	12.625	1.063	.875	1.250	3.250	2.250	.359
PWOL-2-7/16-R	2 7/16	4.125	7.875	5.906	7.500	11.250	13.750	1.063	.875	1.250	3.594	2.313	.344
PWOL-2-11/16-R	2 11/16	4.563	8.813	6.875	8.500	12.000	15.375	1.250	1.000	1.250	4.313	2.563	.375
PWOL-3-7/16-R	3 7/16	5.125	10.250	7.500	10.250	13.375	16.167	1.250	1.000	1.250	4.375	3.167	.531

* Refer To Reference Chart For Bearing, Housing, Collar Number
** Fixed Pillow Block Utilizes Spacer Ring - Remove For Floating

Cast Iron Pillow Block

Low Base-to-Center Pillow Block Units

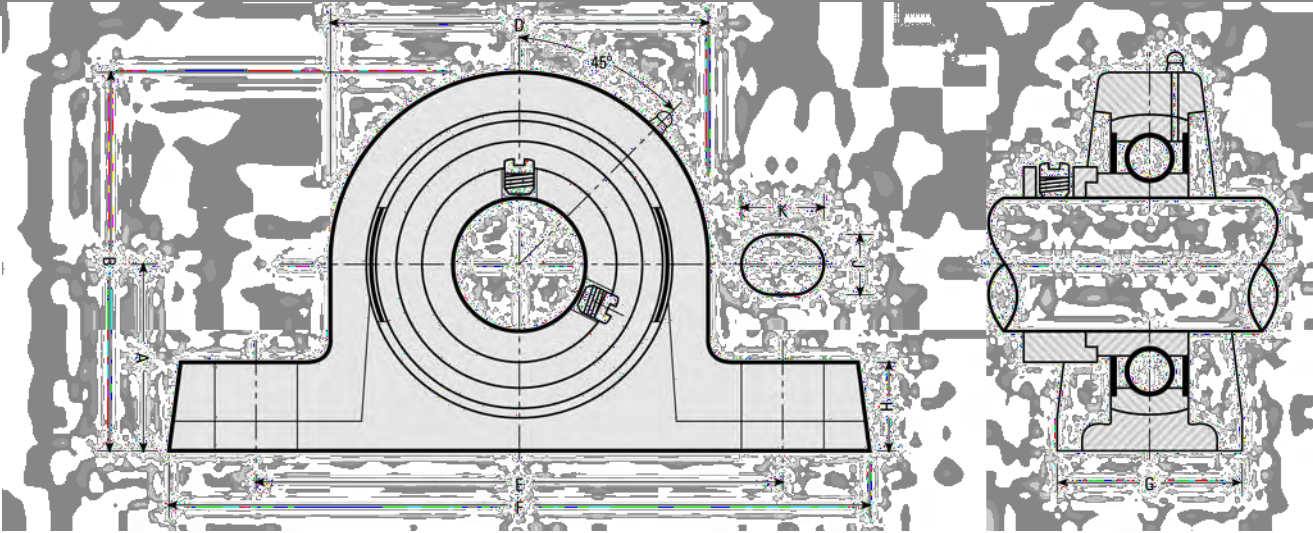


"PWRH_R" Heavy Series

Part Number *	Shaft Dia.	A	B	C	D	E	F	G	H	J	K	N	S	Bolt Size
PWRH-1-15/16-R	1 15/16	2.813	5.563	2.625	5.438	8.250	10.438	2.875	1.313	.750	1.000	3.000	1.656	5/8
PWRH-2-3/16-R	2 3/16	3.063	6.031	2.875	5.938	9.000	11.313	3.125	1.438	.875	1.125	3.250	1.906	3/4
PWRH-2-7/16-R	2 7/16	3.313	6.531	3.125	6.438	9.750	12.313	3.313	1.500	.875	1.125	3.500	1.906	3/4
PWRH-2-11/16-R	2 11/16	3.813	7.563	3.500	7.438	11.250	14.188	3.938	1.750	1.000	1.313	4.000	2.156	7/8
PWRH-2-15/16-R	2 15/16	4.125	8.063	3.938	7.938	12.000	15.125	4.063	1.875	1.000	1.313	4.438	2.156	7/8

Cast Iron Pillow Block

Pillow Block Set Screw Units



POWER TRANSMISSION

"SPNR" Series

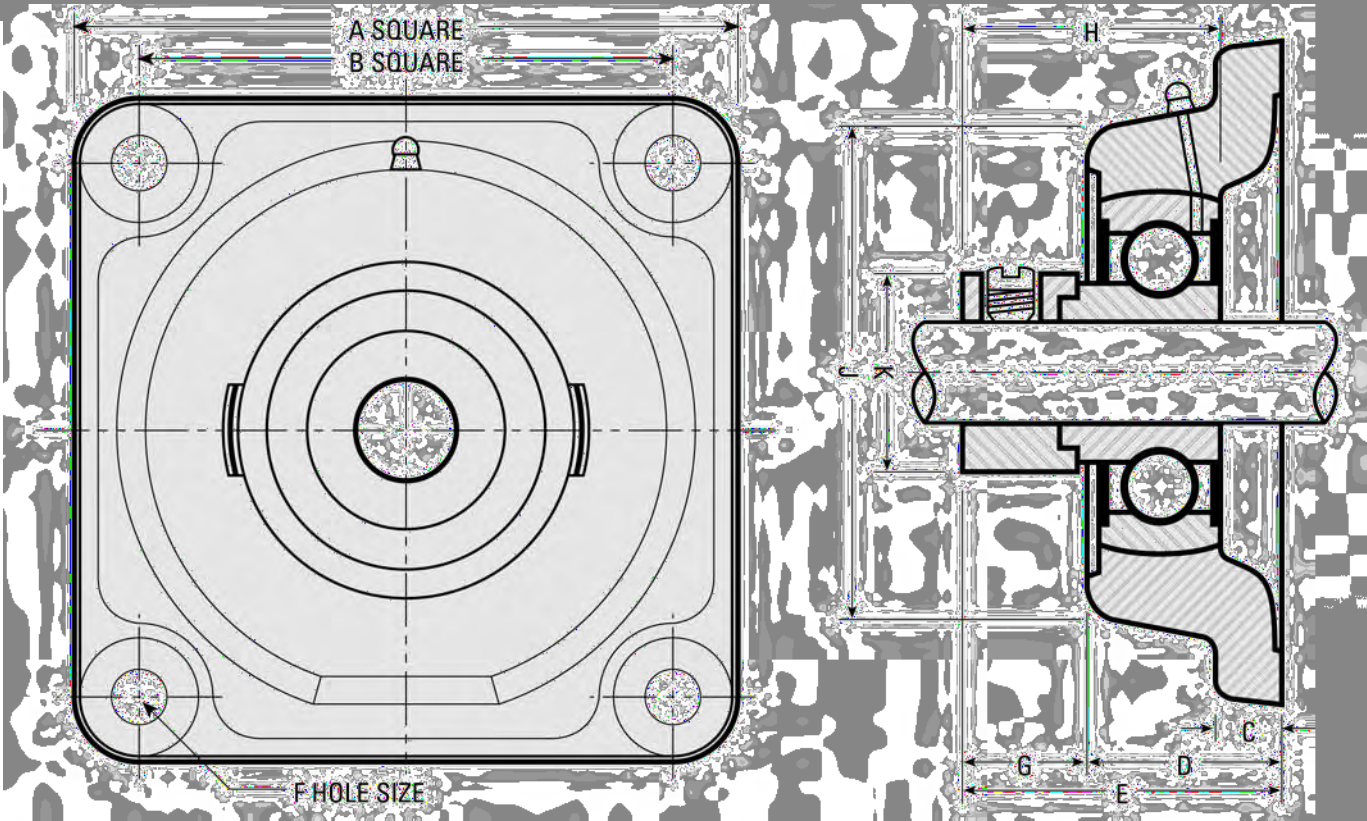
Part Number *	Shaft Dia.	A	B	D	E	F	G	H	J	K
SPNR-1/2-RS	1/2	1.188	2.250	2.125	3.500	4.750	1.250	.500	.438	.563
SPNR-5/8-RS	5/8	1.188	2.250	2.125	3.500	4.750	1.250	.500	.438	.563
SPNR-3/4-RS	3/4	1.313	2.563	2.500	3.875	5.250	1.500	.563	.438	.625
SPNR-7/8-RS	7/8	1.438	2.813	2.750	4.125	5.500	1.625	.625	.438	.625
~ SPNR-15/16-RS	15/16	1.438	2.813	2.750	4.125	5.500	1.625	.625	.438	.625
SPNR-1-RS	1	1.438	2.813	2.750	4.125	5.500	1.625	.625	.438	.625
~ SPNR-1-1/8-RS	1 1/8	1.688	3.281	3.188	4.750	6.313	1.750	.750	.563	.750
SPNR-1-3/16-RSM	1 3/16	1.688	3.281	3.188	4.750	6.313	1.750	.750	.563	.750
SPNR-1-1/4-2RS	1 1/4	1.688	3.281	3.188	4.750	6.313	1.750	.750	.563	.750
SPNR-1-1/4-RS	1 1/4	1.875	3.688	3.625	5.000	6.563	1.875	.813	.563	.750
~ SPNR-1-3/8-RS	1 3/8	1.875	3.688	3.625	5.000	6.563	1.875	.813	.563	.750
SPNR-1-7/16-RS	1 7/16	1.875	3.688	3.625	5.000	6.563	1.875	.813	.563	.750
SPNR-1-1/2-RS	1 1/2	1.938	3.938	4.000	5.500	7.125	2.000	.875	.563	.750

~ Check For Availability

* Refer To Reference Chart For Bearing, Housing, Collar Number

Cast Iron Flange Unit

Extended Inner Ring Bearing w/Narrow Seals

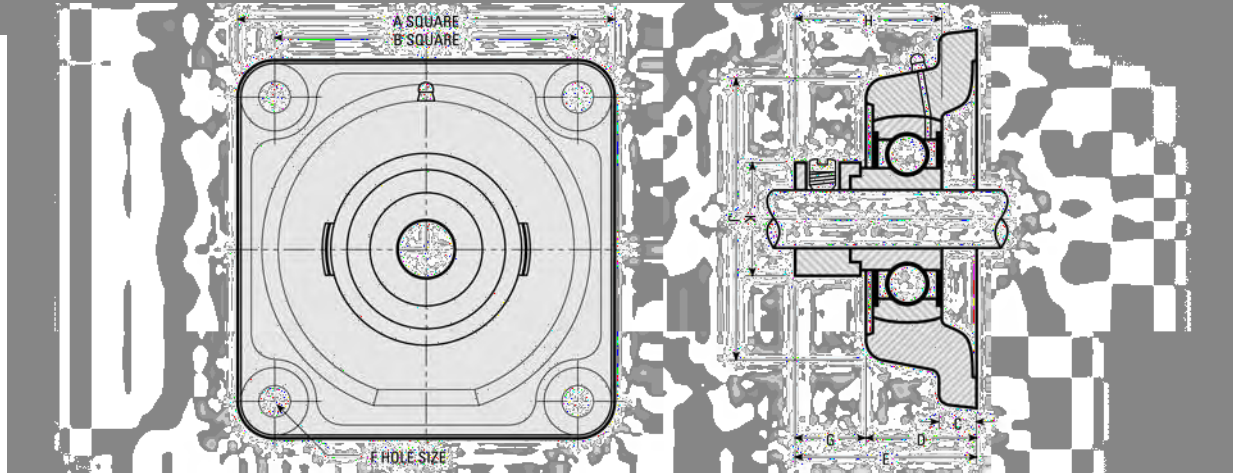


"FNR" Series

Part Number *	Basic Outer Ring	Shaft Dia.	A	B	C	D	E	F	G	H	J	K
FNR-1/2-R	203	1/2	3.000	2.125	.438	1.016	1.531	.406	.516	1.125	1.875	1.125
FNR-5/8-R	203	5/8	3.000	2.125	.438	1.016	1.531	.406	.516	1.125	1.875	1.125
FNR-3/4-R	204	3/4	3.375	2.500	.438	1.094	1.609	.406	.516	1.219	2.125	1.313
FNR-1-R	205	1	3.750	2.750	.500	1.156	1.641	.469	.484	1.219	2.344	1.500
FNR-1-1/4-2R	206	1 1/4	4.250	3.250	.563	1.313	1.891	.469	.578	1.406	3.000	1.750
FNR-1-3/16-RM	206	1 3/16	4.250	3.250	.563	1.313	1.891	.469	.578	1.406	3.000	1.750
FNR-1-1/4-R	207	1 1/4	4.625	3.625	.625	1.469	2.094	.531	.625	1.531	3.406	2.125
FNR-1-3/8-R	207	1 3/8	4.625	3.625	.625	1.469	2.094	.531	.625	1.531	3.406	2.125
FNR-1-7/16-R	207	1 7/16	4.625	3.625	.625	1.469	2.094	.531	.625	1.531	3.406	2.125
FNR-1-1/2-R	208	1 1/2	5.125	4.000	.625	1.406	2.156	.531	.750	1.719	3.719	2.375

Cast Iron Flange Unit

4-Bolt Flanged Units



"FWG & FWT" Series

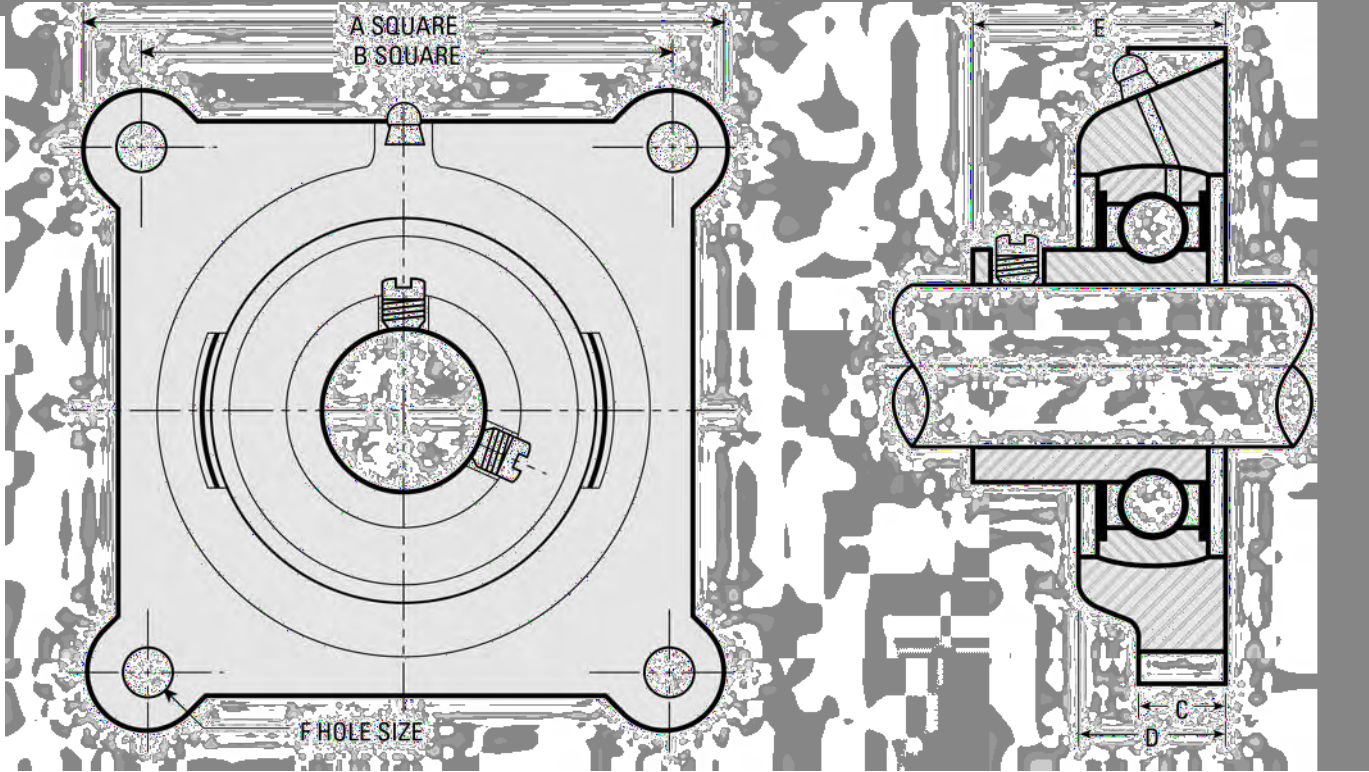
POWER TRANSMISSION

Part Number	Part Number	Basic Outer Ring	Shaft Dia.	A	B	C	D	E	F	G	H	J	K
FWG-3/4-R		204	3/4	3.375	2.500	.438	1.094	1.734	.406	.641	1.719	2.125	1.313
~ FWG-7/8-R		205	7/8	3.750	2.750	.500	1.156	1.781	.469	.625	1.750	2.344	2.500
FWG-15/16-R		205	15/16	3.750	2.750	.500	1.156	1.781	.469	.625	1.750	2.344	2.500
FWG-1-R		205	1	3.750	2.750	.500	1.156	1.781	.469	.625	1.750	2.344	2.500
FWG-1-1/8-R		206	1 1/8	4.250	3.250	.563	1.313	2.031	.469	.719	1.906	3.000	1.750
~ FWG-1-1/16-R		206	1 1/16	4.250	3.250	.563	1.313	2.031	.469	.719	1.906	3.000	1.750
FWG-1-3/16-R		206	1 3/16	4.250	3.250	.563	1.313	2.031	.469	.719	1.906	3.000	1.750
FWG-1-1/4-R	~ FWT-1-1/4-R	207	1 1/4	4.625	3.625	.625	1.469	2.203	.531	.734	.328	3.406	2.125
FWG-1-3/8-R		207	1 3/8	4.625	3.625	.625	1.469	2.203	.531	.734	.328	3.406	2.125
~ FWG-1-5/16-RM		207	1 5/16	4.625	3.625	.625	1.469	2.203	.531	.734	.328	3.406	2.125
FWG-1-7/16-R	~ FWT-1-7/16-R	207	1 7/16	4.625	3.625	.625	1.469	2.203	.531	.734	.328	3.406	2.125
FWG-1-1/2-R		208	1 1/2	5.125	4.000	.625	1.406	2.250	.531	.844	2.219	3.719	2.375
FWG-1-5/8-R		208	1 5/8	5.125	4.000	.625	1.406	2.250	.531	.844	2.219	3.719	2.375
~ FWG-1-9/16-R		208	1 9/16	5.125	4.000	.625	1.406	2.250	.531	.844	2.219	3.719	2.375
FWG-1-3/4-R		209	1 3/4	5.375	4.125	.688	1.531	2.313	.594	.688	2.219	4.125	2.500
FWG-1-11/16-R	~ FWT-1-11/16-R	209	1 11/16	5.375	4.125	.688	1.531	2.313	.594	.688	2.219	4.125	2.500
FWG-1-7/8-R		210	1 7/8	5.625	4.375	.719	1.875	2.625	.594	1.094	2.469	4.438	2.750
FWG-1-15/16-R	FWT-1-15/16-R	210	1 15/16	5.625	4.375	.719	1.875	2.625	.594	1.094	2.469	4.438	2.750
FWG-2-R		211	2	6.375	5.125	.781	1.938	3.031	.656	1.031	2.813	4.750	3.000
FWG-2-3/16-R		211	2 3/16	6.375	5.125	.781	1.938	3.031	.636	1.031	2.813	4.750	3.000

* Refer To Reference Chart For Bearing, Housing, Collar Number
~ Check For Availability

Cast Iron Flange Unit

4-Bolt Flanged Set Screw Units

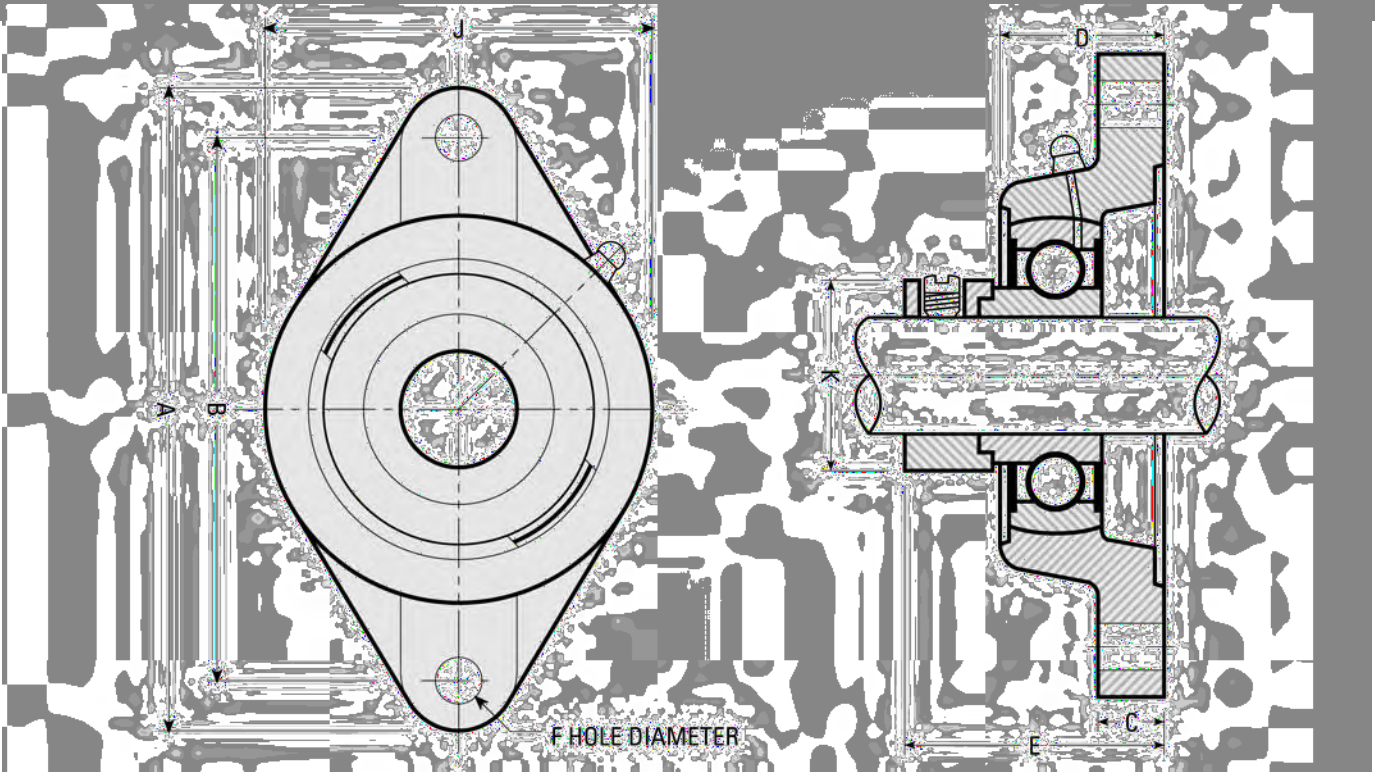


"SAFNR" Series

Part Number	Outer Ring	Shaft Dia.	A	B	C	D	E	F
SAFNR-3/4-R	204	3/4	3.375	2.500	.438	.750	1.125	.391
SAFNR-1-R	205	1	3.750	2.750	.531	.781	1.172	.453
SAFNR-1-1/4-2R	206	1 1/4	4.250	3.250	.563	.844	1.344	.406
SAFNR-1-1/4-R	207	1 1/4	4.625	3.625	.594	.969	1.500	.516
SAFNR-1-7/16-R	207	1 7/16	4.625	3.625	.594	.969	1.500	.516
SAFNR-1-1/2-R	208	1 1/2	5.125	4.000	.516	1.031	1.609	.516

Cast Iron Flange Units

2-Bolt Flanged Set Screw Units



POWER TRANSMISSION

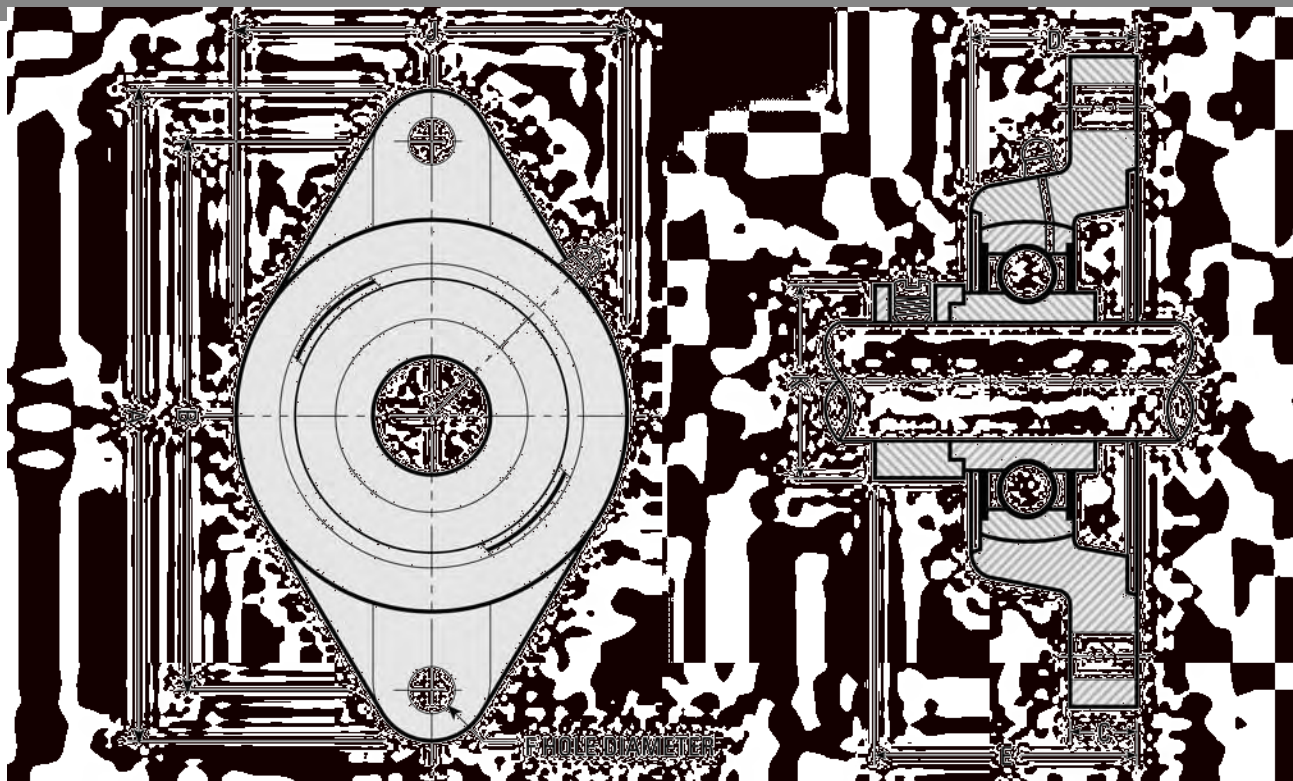
"TNR" Series

Part Number *	Outer Ring	Shaft Dia.	A	B	C	D	E	F	J	K
TNR-1/2-R	203	1/2	3.875	3.000	.438	1.016	1.531	.406	2.313	1.125
TNR-5/8-R	203	5/8	3.875	3.000	.438	1.016	1.531	.406	2.313	1.125
TNR-3/4-R	204	3/4	4.406	3.531	.438	1.094	1.609	.406	2.375	1.313
TNR-1-R	205	1	4.875	3.891	.500	1.156	1.641	.469	2.750	1.500
TNR-7/8-R	205	7/8	4.875	3.891	.500	1.156	1.641	.469	2.750	1.500
TNR-1-1/8-R	206	1 1/8	5.563	4.594	.563	1.313	1.891	.469	3.250	1.750
TNR-1-3/16-RM	206	1 3/16	5.563	4.594	.563	1.313	1.891	.469	3.250	1.750
TNR-1-1/4-R	207	1 1/4	6.125	5.125	.625	1.469	2.094	.531	3.750	2.125
TNR-1-3/8-R	207	1 3/8	6.125	5.125	.625	1.469	2.094	.531	3.750	2.125
TNR-1-5/16-RM	207	1 5/16	6.125	5.125	.625	1.469	2.094	.531	3.750	2.125
TNR-1-7/16-R	207	1 7/16	6.125	5.125	.625	1.469	2.094	.531	3.750	2.125
TNR-1-1/2-R	208	1 1/2	6.750	5.656	.625	1.406	2.156	.531	4.125	2.375

* Refer To Reference Chart For Bearing, Housing, Collar Number

Cast Iron Flange Units

Wide Inner Ring Bearing w/Wide Seals



"TWG & TWT" Series

Part Number *	Part Number	Outer Ring	Shaft	A	B	C	D	E	F	J	K
TWG-3/4-R		204	3/4	4.406	3.531	.438	1.094	1.734	.406	2.375	1.313
TWG-1-R	TWT-1-R	205	1	4.875	3.891	.500	1.156	1.781	.469	2.750	1.500
~ TWG-1-3/16-RM	TWT-1-3/16-RM	206	1 3/16	5.563	4.594	.563	1.313	2.031	.469	3.250	1.750
TWG-1-1/4-R	TWT-1-1/4-R	207	1 1/4	6.125	5.125	.625	11.469	2.203	.531	3.750	2.125
~ TWG-1-3/8-R		207	1 3/8	6.125	5.125	.625	11.469	2.203	.531	3.750	2.125
TWG-1-7/16-R	TWT-1-7/16-R	207	1 7/16	6.125	5.125	.625	11.469	2.203	.531	3.750	2.125
TWG-1-1/2-R		208	1 1/2	6.750	5.656	.625	1.406	2.250	.531	4.125	2.375
~ TWG-1-11/16-R	TWT-1-11/16-R	209	1 11/16	7.063	5.844	.688	1.531	2.219	.594	4.375	2.500
TWG-1-3/4-R		209	1 3/4	7.063	5.844	.688	1.531	2.219	.594	4.375	2.500
TWG-1-15/16-R	TWT-1-15/16-R	210	1 15/16	7.063	6.188	.719	1.875	2.406	.594	4.563	2.750

~ Check For Availability

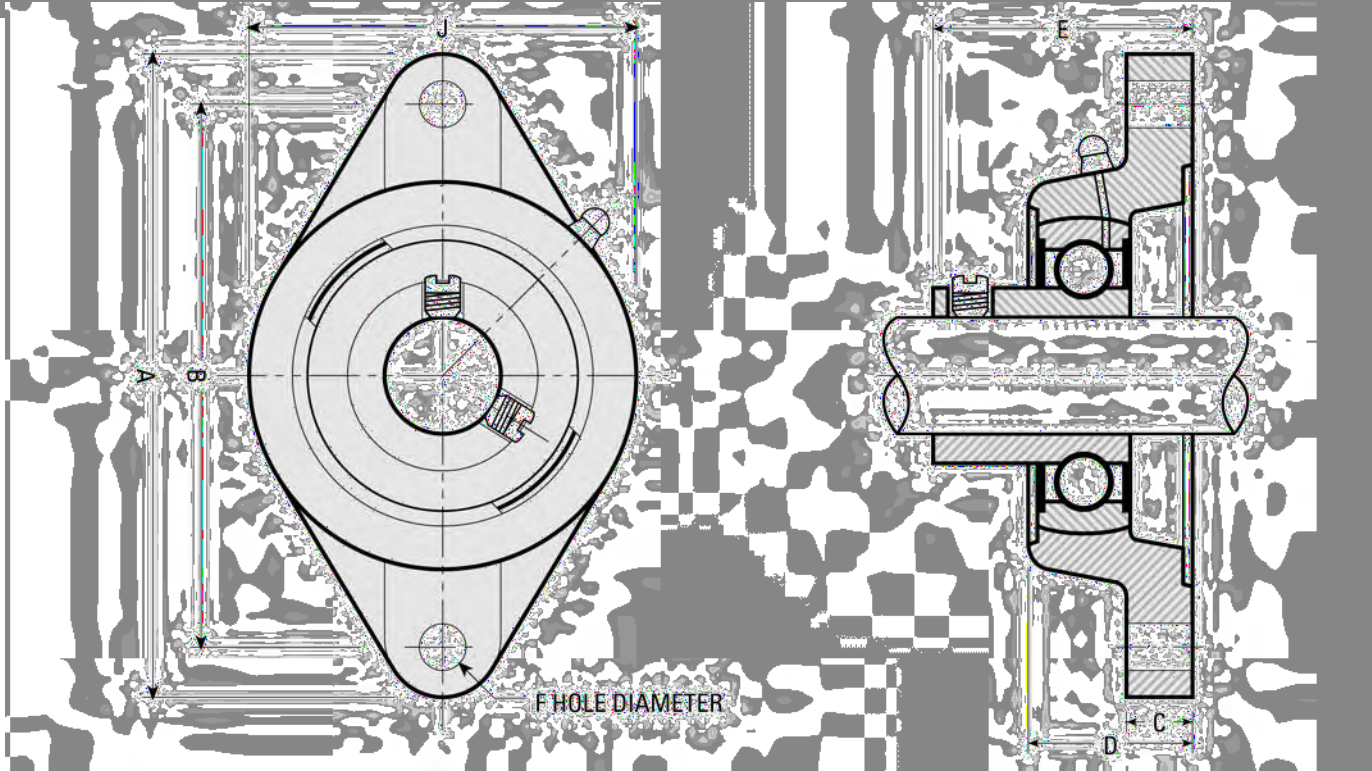
* Refer To Reference Chart For Bearing, Housing, Collar Number

bearing
specification:
001011011101100110101
001011011101100110101

TIMKEN®

Cast Iron Flange Units

2-Bolt Flanged Set Screw Units



POWER TRANSMISSION

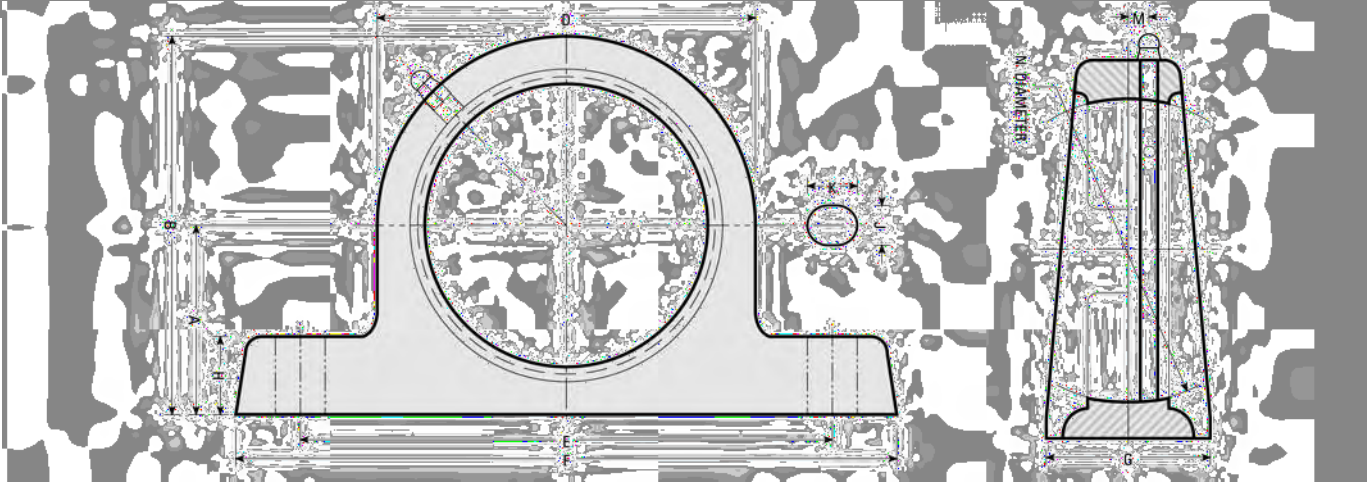
"SATNR" Series

Part Number *	Shaft Dia.	A	B	C	D	E	F	J
SATNR-1/2-R	1/2	3.875	3.000	.438	.703	1.000	.391	2.375
SATNR-5/8-R	5/8	3.875	3.000	.438	.703	1.000	.391	2.375
SATNR-3/4-R	3/4	4.406	3.531	.438	.750	1.125	.391	2.563
SATNR-1-R	1	4.875	3.891	.438	.781	1.172	.469	2.750
SATNR-1-1/4-R	1 1/4	6.125	5.125	.563	.969	1.500	.516	3.625

* Refer To Reference Chart For Bearing, Housing, Collar Number

Cast Iron Pillow Blocks

Housings Only



"P_R" Series

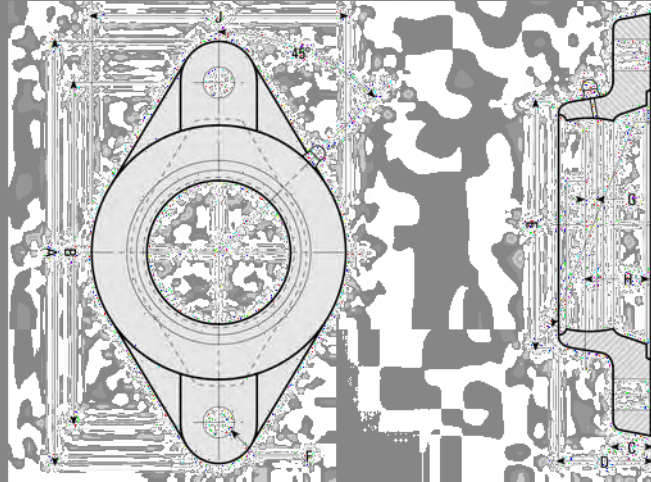
Part Number	Outer Ring	A	B	D	E	F	G	H	J	K	M	N
P-40-R	203	1.188	2.250	2.125	3.500	4.750	1.250	.500	.438	.563	0.098	1.575
P-47-R	204	1.250	2.500	2.500	3.875	5.250	1.500	.563	.438	.625	0.120	1.850
P-47-RS	204	1.313	2.563	2.500	3.875	5.250	1.500	.563	.438	.625	0.120	1.850
P-52-RS	205	1.438	2.813	2.750	4.125	5.500	1.625	.625	.438	.625	0.120	2.047
P-62-R	206	1.563	3.156	3.188	4.750	6.313	1.750	.750	.563	.750	0.144	2.441
P-62-RS	206	1.688	3.281	3.188	4.750	6.313	1.750	.750	.563	.750	0.144	2.441
P-72-R	207	1.813	3.625	3.625	5.000	6.563	1.875	.813	.563	.750	0.164	2.835
P-72-RS	207	1.875	3.688	3.625	5.000	6.563	1.875	.813	.563	.750	0.164	2.835
P-80-R	208	1.938	3.938	4.000	5.500	7.125	2.000	.875	.563	.750	0.238	3.150
P-80-RS	208	2.000	4.000	4.000	5.500	7.125	2.000	.875	.563	.750	0.238	3.150
P-85-R	209	2.063	4.188	4.250	5.750	7.500	2.125	.938	.563	.750	0.213	3.347
P-85-RS	209	2.125	4.250	4.250	5.750	7.500	2.125	.938	.563	.750	0.213	3.347
P-90-R	210	2.188	4.438	4.500	6.250	8.000	2.250	1.000	.688	.938	0.213	3.543
P-100-R	211	2.438	4.906	4.938	7.125	9.125	2.375	1.063	.688	.938	0.295	3.937
P-110-R	212	2.688	5.375	5.375	7.500	9.500	2.500	1.125	.688	.938	0.330	4.331

bearing
specification:
0010110111101100110101
0010110111101100110101

TIMKEN®

Cast Iron Pillow Blocks

2-Bolt Flange - Housings Only



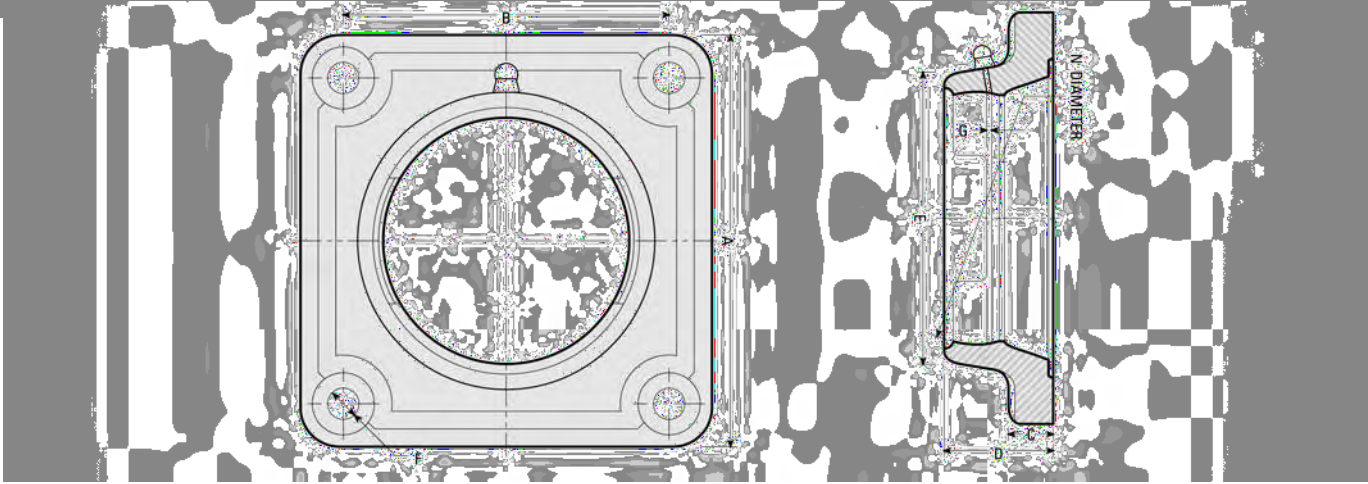
"T_R" Series

POWER TRANSMISSION

Part Number	Outer Ring	A	B	C	D	E	F		G	H	J	N
							Bolt	Hole				
T-40-R	203	3.875	3.000	.438	1.016	1.875	3/8	.406	.098	.656	2.313	1.575
T-47-R	204	4.406	3.531	.438	1.094	2.156	3/8	.406	.152	.688	2.375	1.850
T-52-R	205	4.875	3.891	.500	1.156	2.469	7/16	.469	.152	.719	2.750	2.047
T-62-R	206	5.563	4.594	.563	1.313	3.000	7/16	.469	.190	.844	3.250	2.441
T-72-R	207	6.125	5.125	.625	1.469	3.406	1/2	.531	.203	.938	3.750	2.835
T-80-R	208	6.750	5.656	.625	1.406	3.719	1/2	.531	.224	.875	4.125	3.150
T-85-R	209	7.063	5.844	.688	1.531	3.875	9/16	.594	.248	.938	4.375	3.347
T-90-R	210	7.438	6.167	.719	1.875	4.281	9/16	.594	.240	1.125	4.563	3.543

Cast Iron Flange Blocks

Housings Only



"F_R" Series

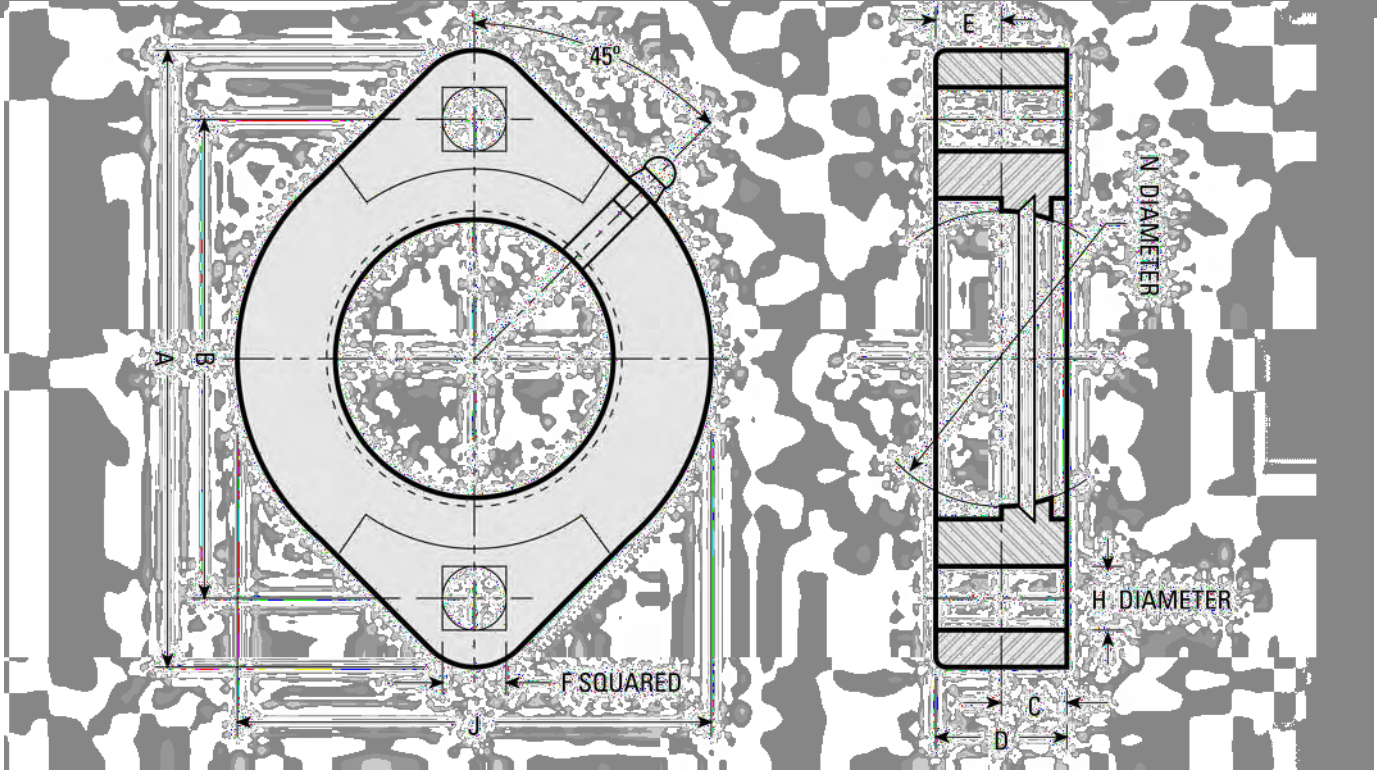
Part Number	Outer Ring	A	B	C	D	E	F		G	N
							Bolt	Hole		
F-40-R	203	3.000	2.125	.438	1.016	1.875	3/8	.406	.098	1.575
F-47-R	204	3.375	2.500	.438	1.094	2.188	3/8	.406	.120	1.850
F-52-R	205	3.750	2.750	.500	1.156	2.531	7/16	.469	.120	2.047
F-62-F	206	4.250	3.250	.563	1.313	3.000	7/16	.469	.144	2.441
F-72-R	207	4.625	3.625	.625	1.469	3.438	1/2	.531	.164	2.835
F-80-R	208	5.125	4.000	.625	1.406	3.750	1/2	.531	.238	3.150
F-85-R	209	5.375	4.125	.688	1.531	4.000	9/16	.594	.213	3.347
F-90-R	210	5.625	4.375	.719	1.875	4.281	9/16	.594	.213	3.543
F-100-R	211	6.375	5.125	.781	1.938	4.750	5/8	.656	.295	3.937
F-110-R	212	6.875	5.625	.844	2.063	5.250	5/8	.656	.330	4.331

bearing
specification:
001011011101100110101
001011011101100110101

TIMKEN®

2-Bolt Light Duty Flange Blocks

Housing Only



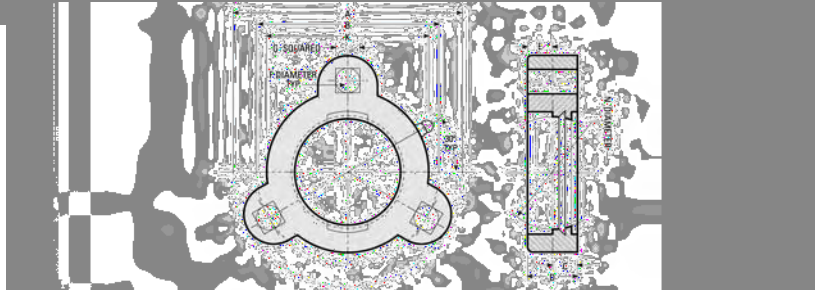
POWER TRANSMISSION

"FB_R" Series

Part Number	Basic Outer Ring	A	B	C	D	E	F	H	J	N
FB-40-R	203	3.188	2.500	.375	.688	.344	.313	.281	2.313	1.575
FB-52-R	205	3.750	3.000	.375	.688	.344	.375	.344	2.797	2.047
FB-62-R	206	4.438	3.563	.469	.813	.406	.438	.406	3.313	2.441
FB-72-R	207	4.938	3.938	.500	.875	.438	.438	.406	3.688	2.835

3-Bolt Light Duty Flange Block

Housing Only

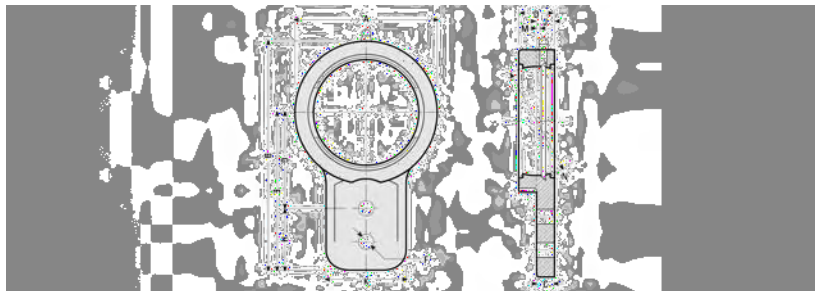


"FB3_R" Series

Part Number	Outer Ring	A	B	C	D	E	F	G	K	N
FB-3-47-R	204	3.563	2.188	.375	.688	.344	.344	.375	2.625	1.850
FB-3-52-R	205	3.750	3.000	.375	.688	.344	.344	.375	2.797	2.047
FB-3-62-R	206	4.438	3.563	.469	.813	.406	.406	.438	3.313	2.441
FB-3-72-R	207	4.938	3.938	.500	.875	.406	.406	.438	3.688	2.835

Hanger Unit

Housings Only



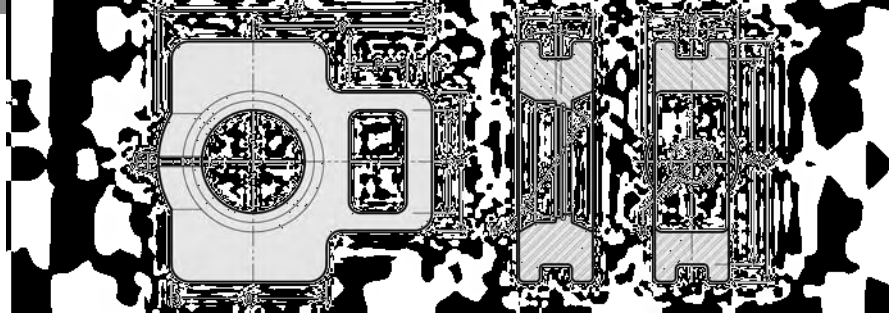
"BS_R" Series

Part Number	Outer Ring	A	B	C	D	E	F		G	H	J	K	M	N
							Bolt	Hole						
BS-40-R	203	2.188	3.875	0.375	0.750	2.781	0.375	0.406	1.438	1.000	0.375	1.313	0.098	1.575
BS-52-R	205	2.656	4.438	0.375	0.813	3.109	0.375	0.406	1.688	1.000	0.406	1.500	0.120	2.047
BS-62-R	206	3.188	5.344	0.500	0.875	3.750	0.375	0.406	2.000	1.250	0.438	1.875	0.144	2.441

bearing
specification:
0010110111011100110101
0010110111011100110101

TIMKEN®

Take Up Unit Housing Only



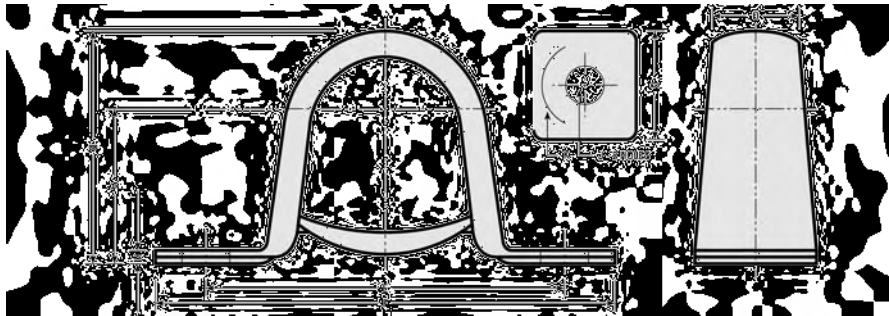
"TU_R" Series

POWER TRANSMISSION

Part Number	Outer Ring	A	B	D	E	H	J	K	L	M	N	P	S	T	W	Y
TU-52-R	205	3.625	2.250	0.531	2.250	1.250	.120	2.375	1.469	2.047	.750	.625	3.000	.500	1.750	4.031

Stamped Steel Pillow Blocks

Housing Only



MPB Type

Part Number	Outer Ring	A	B	E	F	G	H	J	K	O
40-MPB	203	.875	1.719	2.688	3.375	1.000	.100	.375	.406	.718
47-MPB	204	1.000	1.984	3.000	3.875	1.250	.100	.375	.406	.859
52-MPB	205	1.125	2.203	3.375	4.250	1.250	.112	.438	.469	.859
62-MPB	206	1.313	2.594	3.750	4.625	1.500	.133	.438	.469	1.000

Unit / Bearing / Housing / Collar - Chart

UNIT NUMBER	BEARING NUMBER	HOUSING NUMBER	COLLAR NUMBER	UNIT NUMBER	BEARING NUMBER	HOUSING NUMBER	COLLAR NUMBER
PNR-1/2-R	NPS-008-RRC	P40R	C008	PWG-1-5/16-RS	WPS-105-GRC	P72RS	C105
PNR-1/2-RS	NPS-008-RRC	P40RS	C008	PWG-1-3/8-R	WPS-106-GRC	P72R	C106
PNR-5/8-R	NPS-010-RRC	P40R	C010	PWG-1-3/8-RS	WPS-106-GRC	P72RS	C106
PNR-5/8-RS	NPS-010-RRC	P40RS	C010	PWG-1-7/16-R	WPS-107-GRC	P72R	C107
PNR-3/4-R	NPS-012-RRC	P47R	C012	PWG-1-7/16-RS	WPS-107-GRC	P72RS	C107
PNR-3/4-RS	NPS-012-RRC	P47RS	C012	PWG-1-1/2-R	WPS-108-GRC	P80R	C108
PNR-7/8-R	NPS-014-RRC	P52R	C014	PWG-1-1/2-RS	WPS-108-GRC	P80RS	C108
PNR-7/8-RS	NPS-014-RRC	P52RS	C014	PWG-1-9/16-R	WPS-109-GRC	P80R	C109
PNR-1-R	NPS-100-RRC	P52R	C100	PWG-1-9/16-RS	WPS-109-GRC	P80RS	C109
PNR-1-RS	NPS-100-RRC	P52RS	C100	PWG-1-5/8-R	WPS-110-GRC	P85R	C110
PNR-1-1/8-R	NPS-102-RRC	P62R	C102	PWG-1-5/8-RS	WPS-110-GRC	P85RS	C110
PNR-1-1/8-RS	NPS-102-RRC	P62RS	C102	PWG-1-11/16-R	WPS-111-GRC	P85R	C111
PNR-1-3/16-RM	NPS-103-RRC	P62R	C103	PWG-1-11/16-RS	WPS-111-GRC	P85RS	C111
PNR-1-3/16-RMS	NPS-103-RRC	P62RS	C103	PWG-1-3/4-R	WPS-112-GRC	P85R	C112
PNR-1-1/4-2R	NPS-103-RR2C	P62R	C1032	PWG-1-3/4-RS	WPS-112-GRC	P85RS	C112
PNR-1-1/4-2RS	NPS-103-RR2C	P62RS	C1032	PWG-1-13/16-R	WPS-113-GRC	P90R	C113
PNR-1-1/4-R	NPS-104-RRC	P72R	C104	PWG-1-13/16-RS	WPS-113-GRC	P90RS	C113
PNR-1-1/4-RS	NPS-104-RRC	P72RS	C104	PWG-1-7/8-R	WPS-114-GRC	P90R	C114
PNR-1-3/4-R	NPS-106-RRC	P72R	C106	PWG-1-7/8-RS	WPS-114-GRC	P90RS	C114
PNR-1-3/4-RS	NPS-106-RRC	P72RS	C106	PWG-1-15/16-R	WPS-115-GRC	P90R	C115
PNR-1-7/16-R	NPS-107-RRC	P72R	C107	PWG-1-15/16-RS	WPS-115-GRC	P90RS	C115
PNR-1-7/16-RS	NPS-107-RRC	P72RS	C107	PWG-2-R	WPS-200-GRC	P100R	C200
PNR-1-1/2-R	NPS-108-RRC	P80R	C108	PWG-2-RS	WPS-200-GRC	P100RS	C200
PNR-1-1/2-RS	NPS-108-RRC	P80RS	C108	PWG-2-3/16-R	WPS-203-GRC	P100R	C203
				PWG-2-3/16-RS	WPS-203-GRC	P100RS	C203
PWG-3/4-R	WPS-012-GRC	P47R	C012	PWG-2-1/4-R	WPS-204-GRC	P110R	C204
PWG-3/4-RS	WPS-012-GRC	P47RS	C012	PWG-2-1/4-RS	WPS-204-GRC	P110RS	C204
PWG-1-3/16-R	WPS-013-GRC	P52R	C013	PWG-2-7/16-R	WPS-207-GRC	P110R	C207
PWG-1-3/16-RS	WPS-013-GRC	P52RS	C013	PWG-2-7/16-RS	WPS-207-GRC	P110RS	C207
PWG-7/8-R	WPS-014-GRC	P52R	C014				
PWG-7/8-RS	WPS-014-GRC	P52RS	C014	PHV-1-1/8-R		P62R	-
PWG-15/16-R	WPS-015-GRC	P52R	C015				
PWG-15/16-RS	WPS-015-GRC	P52RS	C015	PWT-1-R	WPS-100-TRC	P52R	C100
PWG-1-R	WPS-100-GRC	P52R	C100	PWT-1-RS	WPS-100-TRC	P52RS	C100
PWG-1-RS	WPS-100-GRC	P52RS	C100	PWT-1-1/4-R	WPS-104-TRC	P72R	C104
PWG-1-1/8-R	WPS-102-GRC	P62R	C102	PWT-1-1/4-RS	WPS-104-TRC	P72RS	C104
PWG-1-1/8-RS	WPS-102-GRC	P62RS	C102	PWT-1-7/16-R	WPS-107-TRC	P72R	C107
PWG-13/16-R	WPS-103-GRC	P62R	C103	PWT-1-7/16-RS	WPS-107-TRC	P72RS	C107
PWG-13/16-RS	WPS-103-GRC	P62RS	C103	PWT-1-11/16-R	WPS-111-TRC	P85R	C111
PWG-1-1/4-R	WPS-104-GRC	P72R	C104	PWT-1-11/16-RS	WPS-111-TRC	P85RS	C111
PWG-1-1/4-RS	WPS-104-GRC	P72RS	C104	PWT-1-15/16-R	WPS-115-TRC	P90R	C115
PWG-1-5/16-R	WPS-105-GRC	P72R	C105	PWT-1-15/16-RS	WPS-115-TRC	P90RS	C115

bearing
specification:
0010110111011100110101
0010110111011100110101



Unit / Bearing / Housing / Collar - Chart

UNIT NUMBER	BEARING NUMBER	HOUSING NUMBER	COLLAR NUMBER	UNIT NUMBER	BEARING NUMBER	HOUSING NUMBER	COLLAR NUMBER
PWOL-1-15/16-R	WPSH-115-AC	-	-	FWG-1-1/8-R	WPS-102-GRC	F62R	C102
PWOL-2-3/16-R	WPSH-203-AC	-	-	FWG-1-3/16R	WPS-103-GRC	F62R	C103
PWOL-2-7/16-R	WPSH-207-AC	-	-	FWG-1-1/4-R	WPS-104-GRC	F72R	C104
PWOL-2-11/16-R	WPSH-211-AC	-	-	FWG-1-5/16RM	WPS-105-GRC	F72R	C105
PWOL-3-7/16-R	WPSH-307-AC	-	-	FWG-1-3/8-R	WPS-106-GRC	F72R	C106
				FWG-1-7/16-R	WPS-107-GRC	F72R	C107
PWRH-1-15/16-R	WPSH-115-RRC	-	-	FWG-1-1/2-R	WPS-108-GRC	F80R	C108
PWRH-2-3/16-R	WPSH-203-RRC	-	-	FWG-1-9/16-R	WPS-109-GRC	F80R	C109
PWRH-2-7/16-R	WPSH-207-RRC	-	-	FWG-1-5/8-R	WPS-110-GRC	F80R	C110
PWRH-2-11/16-R	WPSH-211-RRC	-	-	FWG-1-11/16-R	WPS-111-GRC	F85R	C111
PWRH-2-15/16-R	WPSH-215-RRC	-	-	FWG-1-3/4-R	WPS-112-GRC	F85R	C112
				FWG-1-7/8-R	WPS-114-GRC	F90R	C114
SPNR-1/2-RS	SNPS-008-RR	P40RS	-	FWG-1-15/16-R	WPS-115-GRC	F90R	C115
SPNR-5/8-RS	SNPS-010-RR	P40RS	-	FWG-2-R	WPS-200-GRC	F100R	C200
SPNR-3/4-RS	SNPS-012-RR	P47RS	-	FWG-2-3/16-R	WPS-203-GRC	F100R	C203
SPNR-7/8-RS	SNPS-014-RR	P52RS	-				
SPNR-15/16-RS	SNPS-015-RR	P52RS	-	FWT-1-1/4-R	WPS-104-GRC	F72R	C104
SPNR-1-RS	SNPS-100-RR	P52RS	-	FWT-1-7/16-R	WPS-107-GRC	F72R	C107
SPNR-1-1/8-RS	SNPS-102-RR	P62RS	-	FWT-1-11/16-R	WPS-111-GRC	F85R	C111
SPNR-1-3/16-RSM	SNPS-103-RR	P62RS	-	FWT-1-15/16-R	WPS-115-GRC	F90R	C115
SPNR-1-1/4-RS	SNPS-103-RR2	P62RS	-				
SPNR-1-1/4-RS	SNPS-104-RR	P72RS	-	SAFNR-3/4-R	SNPS-012-RR	-	-
SPNR-1-3/8-RS	SNPS-106-RR	P72RS	-	SAFNR-1-R	SNPS-100-RR	-	-
SPNR-1-7/16-RS	SNPS-107-RR	P72RS	-	SAFNR-1-1/4-2R	SNPS-103-RR2	-	-
SPNR-1-1/2-RS	SNPS-108-RR	P80RS	-	SAFNR-1-1/4-R	SNPS-104-RR	-	-
				SAFNR-1-7/16-R	SNPS-107-RR	-	-
FNR-1/2-R	NPS-008-RRC	F40R	C008	SAFNR-1-1/2-R	SNPS-108-RR	-	-
FNR-5/8-R	NPS-010-RRC	F40R	C010				
FNR-3/4-R	NPS-012-RRC	F47R	C012	TNR-1/2-R	NPS-008-RRC	T40R	C008
FNR-1-R	NPS-100-RRC	F52R	C100	TNR-5/8-R	NPS-010-RRC	T40R	C010
FNR-1-3/16-RM	NPS-103-RRC	F62R	C103	TNR-3/4-R	NPS-012-RRC	T47R	C012
FNR-1-1/4-R	NPS-103-RR2C	F62R	C1032	TNR-7/8-R	NPS-014-RRC	T52R	C014
FNR-1-1/4-R	NPS-104-RRC	F72R	C104	TNR-1-R	NPS-100-RRC	T52R	C100
FNR-1-3/8-R	NPS-106-RRC	F72R	C106	TNR-1-1/8-R	NPS-102-RRC	T62R	C102
FNR-1-7/16-R	NPS-107-RRC	F72R	C107	TNR-1-3/16-RM	NPS-103-RRC	T62R	C103
FNR-1-1/2-R	NPS-108-RRC	F80R	C108	TNR-1-1/4-R	NPS-104-RRC	T72R	C104
				TNR-1-5/16-RM	NPS-105-RRC	T72R	C105
FWG-3/4-R	WPS-012-GRC	F47R	C012	TNR-1-3/8-R	NPS-106-RRC	T72R	C106
FWG-7/8-R	WPS-014-GRC	F52R	C014	TNR-1-7/16-R	NPS-107-RRC	T72R	C107
FWG-15/16-R	WPS-015-GRC	F52R	C015	TNR-1-1/2-R	NPS-108-RRC	T80R	C108
FWG-1-R	WPS-100-GRC	F52R	C100				
FWG1-1/16R	WPS-101-GRC	F62R	C101				

Unit / Bearing / Housing / Collar - Chart

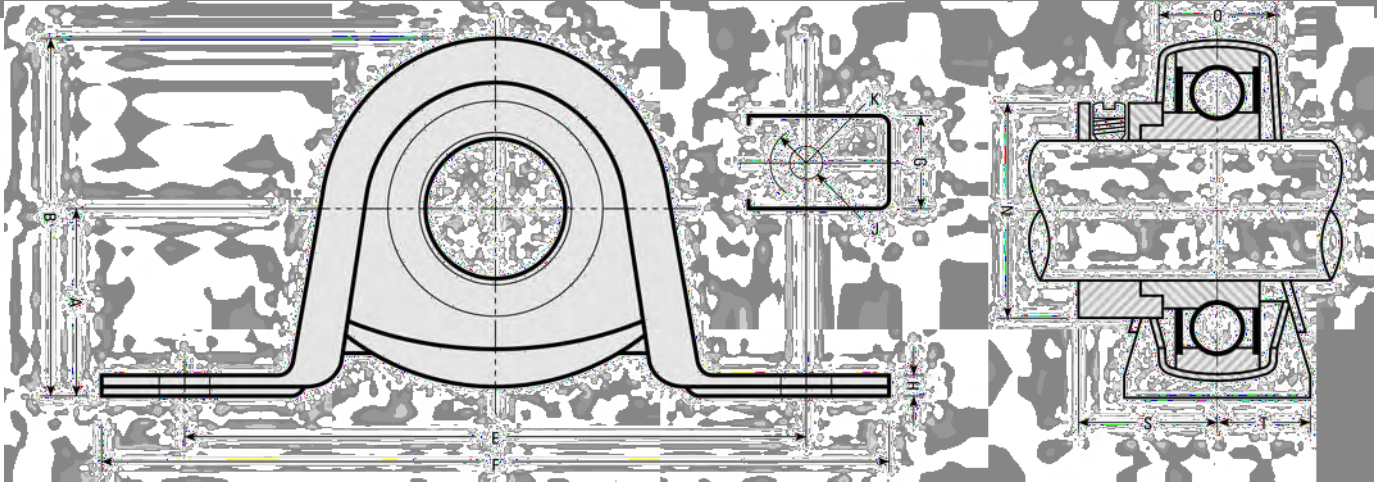
UNIT NUMBER	BEARING NUMBER	HOUSING NUMBER	COLLAR NUMBER
TWG-3/4-R	WPS-012-GRC	T47R	C012
TWG-1-R	WPS-100-GRC	T52R	C100
TWG-1-3/16-RM	WPS-103-GRC	T62R	C103
TWG-1-1/4-R	WPS-104-GRC	T72R	C104
TWG-1-3/8-R	WPS-106-GRC	T72R	C106
TWG-1-7/16-R	WPS-107-GRC	T72R	C107
TWG-1-1/2-R	WPS-108-GRC	T80R	C108
TWG-1-11/16-R	WPS-111-GRC	T85R	C111
TWG-1-3/4-R	WPS-112-GRC	T85R	C112
TWG-1-15/16-R	WPS-115-GRC	T90R	C115
TWT-1-R	WPS-100-GRC	T52R	C100
TWT-1-3/16-RM	WPS-103-GRC	T62R	C103
TWT-1-1/4-R	WPS-104-GRC	T72R	C104
TWT-1-7/16-R	WPS-107-GRC	T72R	C107
TWT-1-11/16-R	WPS-111-GRC	T85R	C111
TWT-1-15/16-R	WPS-115-GRC	T90R	C115
SATNR-1/2-R	SNPS-008-RR	N/A	N/A
SATNR-5/8-R	SNPS-010-RR	N/A	N/A
SATNR-3/4-R	SNPS-012-RR	N/A	N/A
SATNR-1-R	SNPS-100-RR	N/A	N/A
SATNR-1-1/4-R	SNPS-104-RR	N/A	N/A

bearing
specification:
0010110111011100110101
0010110111011100110101

TIMKEN®

Stamped Pillow Blocks

Extended Inner Ring Bearing w/ Narrow Seals



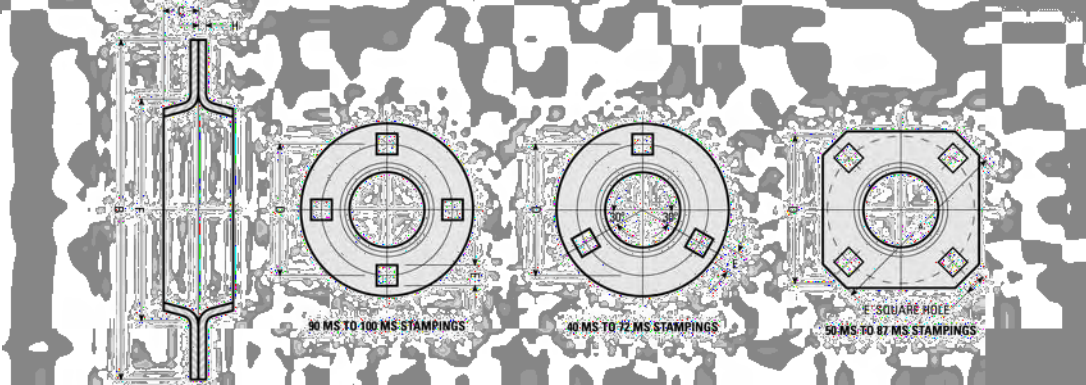
"SPB" Series

POWER TRANSMISSION

Unit Number	Outer Ring	Shaft Dia.	A	B	E	F	G	H	J	K	N	O	S	T	Housing Load Ratings/Lbs	
															Radial	Thrust
SPB-1/2	203	1/2	.875	1.719	2.688	3.375	1.000	.100	.375	.406	1.125	.718	.875	.500	300	100
SPB-9/16	203	9/16	.875	1.719	2.688	3.375	1.000	.100	.375	.406	1.125	.718	.875	.500	300	100
SPB-5/8	203	5/8	.875	1.719	2.688	3.375	1.000	.100	.375	.406	1.125	.718	.875	.500	300	100
SPB-3/4	204	3/4	1.000	1.984	3.000	3.875	1.250	.100	.375	.406	1.313	.859	.922	.625	350	115
SPB-13/16	205	13/16	1.125	2.203	3.375	4.250	1.250	.112	.438	.469	1.500	.859	.922	.625	400	130
SPB-7/8	205	7/8	1.125	2.203	3.375	4.250	1.250	.112	.438	.469	1.500	.859	.922	.625	400	130
SPB-15/16	205	15/16	1.125	2.203	3.375	4.250	1.250	.112	.438	.469	1.500	.859	.922	.625	400	130
SPB-1	205	1	1.125	2.203	3.375	4.250	1.250	.112	.438	.469	1.500	.859	.922	.625	400	130
SPB-1-1/4	206	1 1/4	1.938	2.594	3.750	4.625	1.500	.133	.438	.469	1.750	1.000	1.047	.750	600	200

Stamped Mounting Flanges

3-Bolt & 4-Bolt Units



"MS" Series

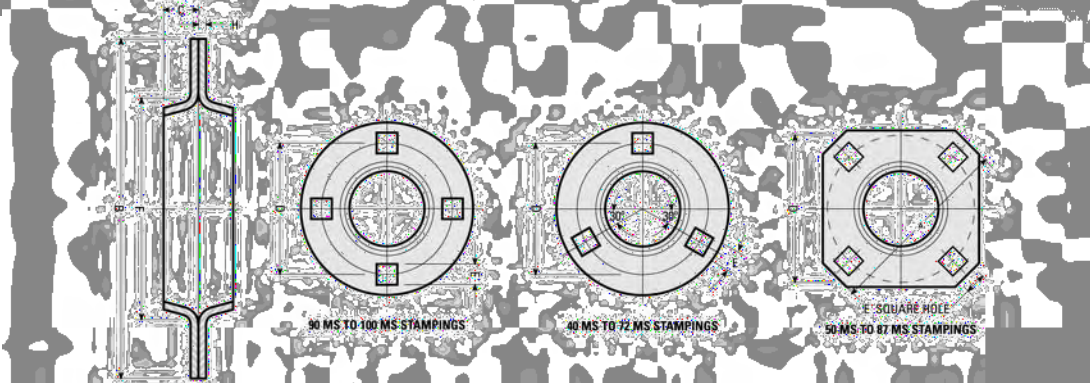
Stamping Number	Outer Ring	Shaft	A	B	C	D	E	F	H	Stamping Load/Lbs	
										Radial	Thrust
40-MS	203	1/2 9/16 5/8	-	3.188	.281	2.500	.281	1.938	0.075	600	300
47-MS	204	3/4	-	3.563	.313	2.813	.344	2.188	0.083	700	350
52-MS	205	13/16 7/8 15/16 1	-	3.750	.344	3.000	.344	2.375	0.083	800	400
62-MS	206	1 1/16 1 1/8 1 3/16 1 1/4	-	4.438	.344	3.563	.406	2.813	0.104	1100	550
72-MS	206	1 5/16 1 1/4 1 3/8 1 7/16	-	4.438	.375	3.938	.406	3.188	0.104	1400	700
80-MS	208	1 1/2 1 9/16	5.875	5.813	.406	4.688	.531	3.563	0.134	1700	850
85-MS	209	1 5/8 1 11/16 1 3/4	5.875	5.875	.438	4.750	.531	3.813	0.134	1700	850
87-MS	-	1 5/8 1 11/16 1 3/4	5.875	5.750	.656	4.750	.531	3.875	0.134	1700	850

bearing
specification:
001011011101100110101
001011011101100110101

TIMKEN®

Stamped Mounting Flanges

3-Bolt & 4-Bolt Units - Continued



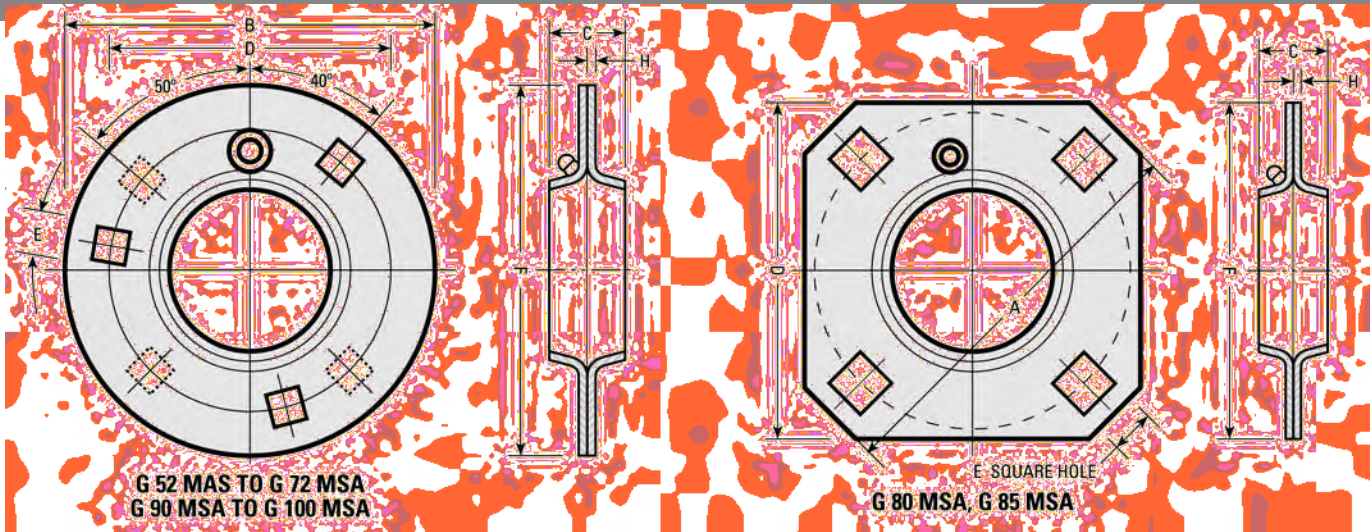
"MS" Series

POWER TRANSMISSION

Stamping Number	Outer Ring	Shaft	A	B	C	D	E	F	H	Stamping Load/Lbs	
										Radial	Thrust
90-MS	210	1 13/16	-	6.125	.438	5.000	.531	4.000	0.149	1900	950
		1 7/8									
		1 15/16									
100-MS	211	2	-	6.563	.469	5.438	.531	4.438	0.149	2300	1150
		2 1/8									
		2 3/16									

Stamped Mounting Flanges

Relubricatable 3-Bolt & 4-Bolt Units



"MSA" Series

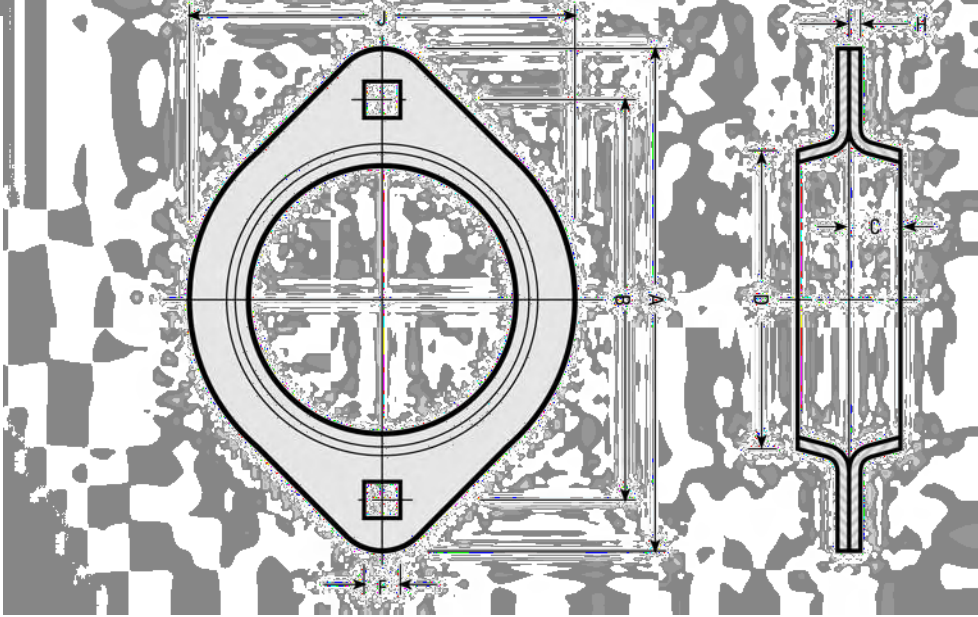
Stamping Number	Outer Ring	Shaft Dia.	A	B	C	D	E	F	H	Stamping Load/Lbs	
										Radial	Thrust
G-52-MSA	205	13/16 7/8 15/16 1		3.750	.688	3.000	.344	2.375	.083	800	400
G-62-MSA	206	1 1/16 1 1/8 1 3/16 1 1/4		4.438	.688	3.563	.406	2.813	.104	1100	550
G-80-MSA	208	1 1/2 1 9/16	5.875	4.813 5.813	.750 .625	3.938 4.688	.406 .531	3.188 3.563	.104 .144	1700	850
G-85-MSA	209	1 5/8 1 11/16 1 3/4	5.875	5.875	1.250	4.750	.531	3.813	.149	1700	850
G-90-MSA	210	1 13/16 1 7/8 1 15/16 2		6.125	1.250	5.000	.531	4.000	.164	1900	950
G-100-MSA	211	2 2 1/8 2 3/16		6.563	1.375	5.438	.531	4.438	.164	2300	1150

bearing
specification:
001011011101100110101
001011011101100110101

TIMKEN®

Stamped Mounting Flanges

2-Bolt Units



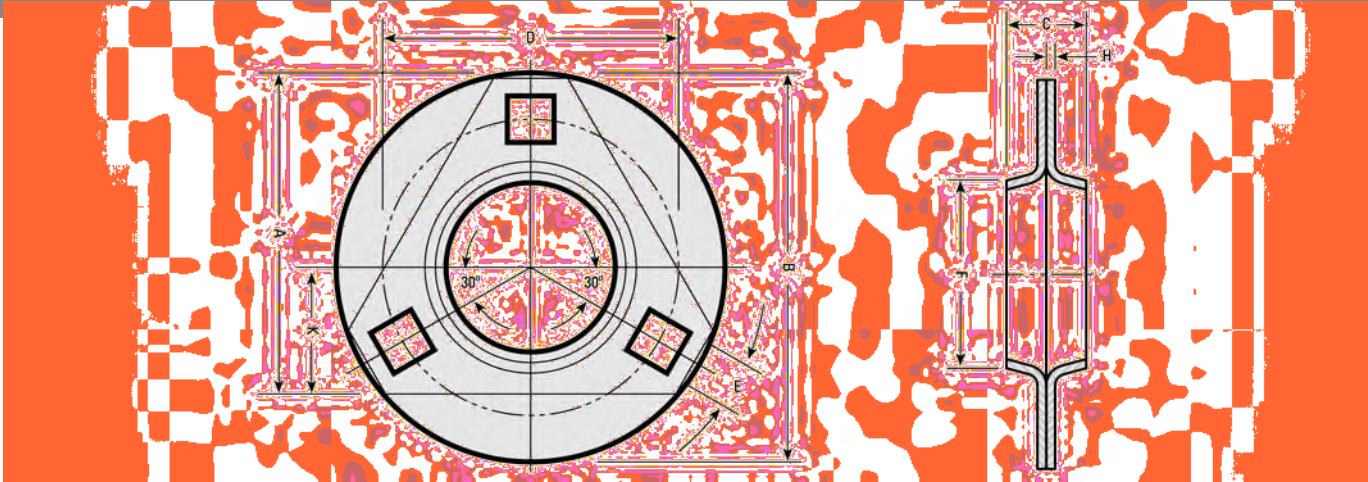
POWER TRANSMISSION

"MST" Series

Stamping Number	Outer Ring	Shaft Dia.	A	B	C	D	F	H	J	Stamping Load/Lbs	
										Radial	Thrust
40-MST	203	1/2 9/16 5/8	3.188	2.500	.281	1.938	.281	.075	2.313	600	300
47-MST	204	3/4	3.563	2.813	.313	2.188	.344	.083	2.625	700	350
52-MST	205	13/16 7/8 15/16 1	3.750	3.000	.344	2.375	.344	.083	2.797	800	400
62-MST	206	1 1/16 1 1/8 1 3/16	4.438	3.563	.344	2.813	.406	.104	3.313	1100	550
72-MST	207	1 1/4 1 5/16 1 3/8 1 7/16	4.938	3.938	.438	3.188	.406	.104	3.688	1400	700

Stamped Mounting Flanges

Triangular 3-Bolt Unit



"MSTR" Series

Stamping Number	Outer Ring	Shaft	A	B	C	D	E	F	H	K	Stamping Load/Lb	
											Radial	Thrust
40-MSTR	203	1/2 9/16 5/8	2.688	3.188	.563	2.500	.281	1.875	.072	1.141	500	250
47-MSTR	204	3/4	3.000	3.563	.625	2.813	.344	2.188	.083	1.313	700	350
52-MSTR	205	13/16 7/8 15/16 1	3.125	3.750	.688	3.000	.344	2.375	.083	1.375	800	400
62-MSTR	206	1 1/16 1 1/8 1 3/16 1 1/4	3.688	4.438	.688	3.563	.406	2.813	.104	1.500	1100	550

Mounting Flange to Bearing Chart

MOUNTING FLANGE NO.	EXTENDED INNER RING BEARING NO.		WIDE INNER RING BEARING NO.	DISC HARROW BEARING NO.	HEX BORE BEARING NO.
	SET SCREW	ECCENTRIC COLLAR			
40MPB	—	NPS008RPC	—	—	—
40MS	—	—	—	—	—
40MST	—	NPS010RPC	—	—	—
40MSTR	—	—	—	—	—
47MPB	—	NPS012RPC	—	—	—
47MS	—	—	—	—	—
47MST	—	—	—	—	—
47MSTR	—	—	—	—	—
52MPB	—	—	—	—	—
52MS	—	NPS014RPC	WPS014GPC	—	HPS014GP
52MST	—	NPS015RPC	—	—	—
52MSTR	—	NPS100RPC	WPS100GPC	—	—
G52MSA ⁵⁹	SNPS014RR	—	WPS013GRC	—	—
—	SNPS015RR	NPS014RRC	WPS014GRC	—	—
—	SNPS100RR	NPS015RRC	WPS015GRC	—	—
—	—	NPS100RRC	WPS100GRC	—	—
—	SNPS25RR	—	—	—	—
62MPB	—	NPS101RPC	—	—	HPS100GP
62MS	—	NPS102RPC	WPS102GPC	—	—
62MST	—	NPS103RPC	—	—	—
62MSTR	—	NPS103RPCC	WPS103GPCC	—	—
G62MSA ⁵⁹	SNPS102RR	NPS101RRC	WPS101GRC	—	—
—	SNPS103RR	NPS102RRC	WPS102GRC	—	—
—	SNPS103RRA	NPS103RRC	WPS103GRC	—	—
—	SNPS30RR	NPS103RRCC	WPS103GRCC	—	—
72MS	—	NPS104RPC	WPS104GPC	—	—
72MST	—	NPS105RPC	—	—	HPS102GPE
—	—	NPS106RPC	—	—	—
—	—	NPS107RPC	WPS107GPC	—	HPS103GPB
—	—	—	—	—	HPS103GPC
80MS	—	NPS108RPC	WPS108GPC	DS208TTA	HPS106GP
—	—	—	—	DS208TTB	—
—	—	—	—	DS208TTC	—
—	—	—	—	DS208TTD	—
—	—	—	—	DS208TTE	—
—	—	—	—	DS208TTF	—
—	—	—	—	DS208TTK	—
G80MSA ⁵⁹	SNPS108RR	NPS108RRC	WPS108GRC	DS208TTRA	—
—	SNPS40RR	NPS109RRC	WPS109GRC	DS208TTRD	—
—	—	—	—	DS208TTRB	—
—	—	—	—	DS208TTRE	—

⁵⁹ Relubricatable

Mounting Flange to Bearing Chart

MOUNTING FLANGE NO.	EXTENDED INNER RING BEARING NO.		WIDE INNER RING BEARING NO.	DISC HARROW BEARING NO.	HEX BORE BEARING NO.
	SET SCREW	ECCENTRIC COLLAR			
85MS	—	—	—	—	HPS108GPA
85MS	—	—	—	DS209TTA	HPS108GPH
—	—	—	—	DS209TTB	—
—	—	—	—	DS209TTC	—
—	—	—	—	DS209TTE	—
G85MSA ⁵⁹	—	—	WPS110GRC	DS209TTRA	—
—	—	—	WPS111GRC	DS209TTRB	—
—	—	—	WPS112GRC	DS209TTRC	—
—	—	—	—	DS209TTK	—
—	—	—	—	DS209TTRD	—
—	—	—	—	DS209TTRF	—
87MS	—	—	—	DS208TTL	—
—	—	—	—	DS208TTH	—
—	—	—	—	DS208TTI	—
—	—	—	—	DS208TTM	—
—	—	—	—	DS208TTJ	—
—	—	—	—	DS209TTD	—
—	—	—	—	DS209TTF	—
—	—	—	—	DS209TTI	—
90MS	—	—	—	DS210TTA	HPS108GPB
—	—	—	—	DS210TTB	—
—	—	—	—	DS210TTC	—
G90MSA ⁵⁹	—	—	WPS113GRC	DS210TTRA	—
—	—	—	WPS114GRC	DS210TTRB	—
—	—	—	WPS115GRC	DS210TTRC	—
—	—	—	—	DS210TTRD	—
100MS	—	—	—	DS211TTA	—
—	—	—	—	DS211TTB	—
—	—	—	—	DS211TTC	—
G100MSA ⁵⁹	—	—	WPS200GRC	DS211TTRA	—
—	—	—	WPS203GRC	DS211TTRB	—
—	—	—	—	DS211TTRC	—
—	—	—	—	DS211TTRD	—
—	—	—	—	DS211TTRE	—

⁵⁹ Relubricatable

Tapered Roller Bearings Prefixes and Suffixes

PREFIX	SUFFIX	CONE OR CUP	EXPLANATION
A		Cone & Cup	Standard basic series part number.
	A	Cone	Different bore from basic part number.
	A	Cone	Different complement of rollers.
	A	Cone	Different radius from basic part number.
	A	Cup	Different OD from basic part number.
	A	Cup	Different radius from basic part number.
	A	Cup	Different width from basic part number.
	AA	Cone & Cup	Different bore, OD, width, or radius from basic part number.
	AB	Cone	Different bore, width, or radius from basic part number, assembled with brass cage.
	AB	Cup	Flanged cup. (Non-interchangeable with basic part number.)
	AC	Cone	Different bore or radius, different internal geometry.
	AC	Cup	Different OD, width, or radius from basic part number.
	AD	Cup	Double cup. (Non-interchangeable with basic part number.)
	ADW	Cone	Double cone. Pilots and slots each end, holes in large rib.
	AH	Cone	Assembled with special cage, rollers, and/or Duo-Face internal geometry. (Non-interchangeable with basic part number.)
	AL	Cone	Assembled with Duo-Face seal.
	ARB	Cup	Single cup with snap ring groove in OD.
	AS	Cone & Cup	Different bore, OD, width, or radius from basic part number.
	ASB	Cone	Single cone, different bore or width from basic part number, assembled with brass cage.
	AV	Cone & Cup	Made of special steel.
	AW	Cone & Cup	Keyway or slotted cone or cup.
	AX	Cone & Cup	Different bore, OD, width, or radius from basic part number.
	AXB	Cone	Different bore, width, or radius from basic part number, assembled with brass cage.
	AXD	Cup	IsoClass cup – double cup without oil holes or groove.
	AXV	Cone & Cup	Different OD, width, or radius from basic part number. Made of special steel.
	AXX	Cone & Cup	Different OD, width, or radius from basic part number. Made of special steel.
	B	Cup	Flanged cup. (Non-interchangeable with basic part number.)
	B	Cone & Cup	IsoClass bearing with same boundary dimensions as basic part number, but with different internal geometry, steeper included cup angle.
	BA	Cup	Flanged cup. (Non-interchangeable with basic part number.)
	BNA	Cone	IsoClass cone used in assemblies with 2 cones mated with double cup to form a double row non-adjustable bearing. (Non-interchangeable with other cones having the same basic part numbers which may vary in bore or width dimensions.)
	BR	Cup	Single cup with groove in OD for snap ring.
	BS	Cup	Flanged cup. (Non-interchangeable with basic part number.)
	BW	Cup	Flanged cup with slot. (Non-interchangeable with basic part number.)
	BXX	Cup	Flanged single cup. Made of special steel.
	C	Cone	Single cone, envelope dimensions same as basic part number, different internal geometry.
	C	Cup	Dimensionally different from basic part number. (Non-interchangeable).

Tapered Roller Bearings Prefixes and Suffixes

PREFIX	SUFFIX	CONE OR CUP	EXPLANATION
CN	CA	Cone	Single cone, envelope dimensions same as basic part number, different internal geometry.
	CB	Cone	Single cone, dimensionally different from basic part number.
	CD	Cup	Double cup with oil holes and groove. One hole counter-bored for locking pin.
	CE	Cup	Dimensionally different from basic part number. (Non-interchangeable.)
		Cup	Neoprene cushioned cup.
	CP	Cone & Cup	Flash chrome plated. Otherwise, interchangeable with basic part number.
	CP	Cone & Cup	Envelope dimensions same as basic part number, different internal geometry, customized for performance.
	CR	Cone & Cup	Ribbed cup bearing series.
	CS	Cone & Cup	Dimensionally different from basic part number. (Non-interchangeable.)
	CX	Cone	Dimensionally different from basic part number. (Non-interchangeable.)
	D	Cone & Cup	Double cone or double cup. (Non-interchangeable with basic part number.)
	DA	Cone	Double cone. (Non-interchangeable with cones having same basic part number.)
	DA	Cup	Spherical OD double cup. (Non-interchangeable with basic part number or other double cups having same basic numbers.)
	DB	Cup	Double cup with flange. (Non-interchangeable with basic part number or double cups having same basic numbers.)
	DB	Cone	Double cone assembled with brass cages.
	DC	Cup	Double cup with hole for locking pin.
	DD	Cone & Cup	Special long double cone or cup. (Non-interchangeable with basic part number or other double parts having same basic numbers.)
	DE	Cone & Cup	Double cone or double cup having different dimensions or other characteristics from single and double parts identified with same basic part number.
	DF	Cup	Double cup with oil holes and groove. Snap ring groove on OD.
	DG	Cone	Double cone with groove in bore.
	DGW	Cone	Double cone with pressure removal groove in bore, and having face slots.
	DH	Cone	Double cone with special cage, rollers, and/or internal geometry. (Non-interchangeable with basic part number.)
	DP	Cone	Double cone with puller groove.
	DR	Cup	Double cup for ribbed cup series. (Non-interchangeable with single and double cups identified with same basic part number.)
	DRB	Cup	Double cup with snap ring groove.
	DS	Cup	Crowned OD double cup. (Non-interchangeable with other cups having same basic part numbers.)
	DT	Cup	Tapered OD double cup. (Non-interchangeable with other cups having same basic part numbers.)
	DV	Cone & Cup	Double cone or double cup made of special steel.
DVH	Cone	Double cone, special steel, and/or internal geometry. (Non-interchangeable with basic part number.)	
DW	Cone & Cup	Double cone or double cup with keyway or slot. (Non-interchangeable with cones or cups identified with same basic part numbers.)	
DWA	Cone	Double cone with one end extended and with oil slots in extended end.	
DWH	Cone	Double cone with oil slots, assembled with special cage, rollers, and/or internal geometry. (Non-interchangeable with basic part number.)	

Tapered Roller Bearings Prefixes and Suffixes

PREFIX	SUFFIX	CONE OR CUP	EXPLANATION
	DWV	Cone & Cup	Double cone or double cup with keyway or slot. (Non-interchangeable with cones or cups identified with same basic part numbers.) Made of special steel.
	DX	Cup	Adaptor for spherical or straight OD cup.
	DXX	Cone & Cup	Double cone or double cup made of special steel.
	E	Cone & Cup	Cones or cups having special characteristics differing from and non-interchangeable with other cones or cups identified with the same basic part numbers.
	ED	Cup	Double cup. (Non-interchangeable with other cups identified with same basic part numbers.)
	EDC	Cup	Double cup, special hole in OD for locking pin.
EE		Cone	Large and small ribs - close guided rollers. (Non-interchangeable with other cones identified with same basic part numbers.)
EH		Cone & Cup	Extra heavy Series.
EL		Cone & Cup	Extra light Series.
EX		Cone & Cup	Experimental.
	EXX	Cone & Cup	Cones or cups having special characteristics differing from and non-interchangeable with other cones or cups identified with the same basic part numbers. Made of special steel.
	F	Cone	Assembled with polymer cage.
FL		Cone & Cup	"Free lateral" series, no large or small ribs.
FX		Cone & Cup	Factory identification number only.
	G	Cone	Retainer groove in bore.
H		Cone & Cup	Heavy series. (Non-interchangeable with other cones and cups identified with same basic part numbers.)
	H	Cone	Assembled with special cage, rollers, and/or internal geometry. (Non-interchangeable with basic part number.)
	HV	Cone	Assembled with special cage, rollers, and/or internal geometry. Made of special steel. (Non-interchangeable with basic part number.)
HH		Cone & Cup	Heavy-Heavy Series. (Non-interchangeable with other cones and cups identified with same basic part numbers.)
HM		Cone & Cup	Heavy-Medium Series. (Non-interchangeable with other cones and cups identified with same basic part numbers.)
	HP	Cone	Assembled with special cage and/or roller, different internal geometry. Customized for performance. (Non-interchangeable with basic part number.)
	HR	Cup	Special cup used on "Hydra-Rib" bearing. (Non-interchangeable with basic part number.)
J		Cone & Cup	Used alone or with other prefix letters to indicate metric bore and/or OD.
JC		Cone & Cup	Metric Series.
JD		Cone & Cup	Metric Series.
JE		Cone & Cup	Metric Series.
JF		Cone & Cup	Metric Series.
JG		Cone & Cup	Metric Series.
JN		Cone & Cup	Metric Series.
JP		Cone & Cup	Metric Series.
JR		Cone & Cup	Metric Series.
JRM		Cone & Cup	Metric Series, UNIPAC™ bearing.
JS		Cone & Cup	Metric Series.

Tapered Roller Bearings Prefixes and Suffixes

PREFIX	SUFFIX	CONE OR CUP	EXPLANATION
JT		Cone & Cup	Metric Series.
JU		Cone & Cup	Metric Series.
JW		Cone & Cup	Metric Series.
K		Cup	Double cup with heavy section. May have unusual feature such as flange. (Non-interchangeable with basic part number.)
L	KP	Thrust Bearing	Cadmium plated.
		Cone & Cup	Light Series. (Non-interchangeable with other cones and cups identified with same basic part numbers.)
	L	Cone	Cone assembled with Duo-Face seal.
	L	Cup	Loose rib. (Part of Unit-Bearing.)
	LA	Cone	Cone assembled with Duo-FaceX seal and with "O" ring groove in bore.
	LA, LB,	Seal	These suffixes are used on a basic Duo-Face-Plus seal number to identify the assembly resulting from the use of the seal various cones in the series.
LL		Cone & Cup	Light-Light Series.
LM		Cone & Cup	Light-Medium Series.
M		Cone & Cup	Medium Series.
N		Cone	Bock or Gilliam type bearings.
NA	NA	Cone	Two cones mated with double cup to form double row non-adjustable bearing. (Non-interchangeable with other cones having same basic part numbers which may vary in bore, OD, and width dimensions.)
	NA	Cup	Etched electric pencil or double cups mated with two "NA" type single cones to form double row non-adjustable bearings.
	NAV	Cone	"NA" cone made of special steel.
	NC	Cup	Cushioned cup (usually neoprene).
	NI	Cup	Tapered or threaded bore.
	NP		Cone & Cup
NR		Cone	"NA" type ribless cone for ribbed cup series.
NW		Cone	"NA" type cone with slotted front face.
NWV		Cone	"NA" type cone with slotted front face. Made of special steel.
NX		Cone	Lapped front face.
P		Cone	Puller groove.
R	P	Cone & Cup	Customized for performance.
		Cone & Cup	Gilliam replacement series. (Non-interchangeable with other cones and cups identified with same basic numbers.)
	R	Cone & Cup	Special feature bearing. (Non-interchangeable with bearings having the same basic part numbers.)
	R	Cone & Cup	Bock type bearing.
	R	Cone	Basic part number with polymer lubricant.
	RB	Cup	Snap ring on OD.
RC		Cone & Cup	Special ribbed cup bearing.
	RN	Various	Used with random numbers, not to exceed six (6) digits, for purchased items that are distributed by Timken.
	RR	Cone & Cup	"Relieved race."
S		Cone & Cup	Special feature bearing. (Non-interchangeable with bearings having same basic part numbers.)

Tapered Roller Bearings Prefixes and Suffixes

PREFIX	SUFFIX	CONE OR CUP	EXPLANATION
	SA	Cone & Cup	Special feature bearing. (Non-interchangeable with bearings having same basic part numbers.)
	SB	Cone	Assembled with brass cage. (Non-interchangeable with basic part number.)
	SB	Cup	Flanged cup. (Non-interchangeable with basic part number.)
	SC	Cone	With square bore. (Non-interchangeable with basic part number.)
	SD	Cone & Cup	Double cone with square bore or double cup. (Non-interchangeable with basic part number.)
	SH	Cone	Special feature bearing, with special cage, rollers, and/or internal geometry. (Non-interchangeable with bearings having same basic part numbers.)
	SL	Thrust Bearing	Basic part number with polymer lubricant.
	SR	Cone	Different radius from basic part numbers.
	SW	Cone & Cup	Slot or keyway. (Non-interchangeable with bearings having same basic part numbers.)
	SWB	Cone	Slot or keyway assembled with brass cage. (Non-interchangeable with bearings having same basic part numbers.)
	SWV	Cone	Slot or keyway made of special steel. (Non-interchangeable with bearings having same basic part numbers.)
	SX	Cup	Special feature bearing. (Non-interchangeable with bearings having same basic part numbers.)
T		Race	Thrust bearing assemblies.
T		Cup	Double cup with heavy section. May have unusual feature such as flange, tapered OD, etc.
	T	Cone	Tapered bore. (Non-interchangeable with basic part number.)
	T	Cup	Tapered OD. (Non-interchangeable with basic part number.)
	TA	Cone	Tapered bore "NA" type cone. (Non-interchangeable with basic part number.)
	TA	Cup	Tapered OD. (Non-interchangeable with basic part number.)
	TB	Cone	Tapered bore cone with brass cage. (Non-interchangeable with basic part number.)
TC		Race	Thrust bearing assembly.
	TC	Cone	Tapered bore. (Non-interchangeable with basic part number.)
	TD	Cone	Double with tapered bore. (Non-interchangeable with basic part number.)
	TDB	Cone	Double with tapered bore, assembled with brass cages. (Non-interchangeable with basic part number.)
	TDE	Cone	Double with tapered bore and extended rib. (Non-interchangeable with basic part number.)
	TDG	Cone	Double with tapered bore, groove in bore. (Non-interchangeable with basic part number.)
	TDGV	Cone	Double with tapered bore, groove in bore. Made of special steel. (Non-interchangeable with basic part number.)
	TDH	Cone	Double with tapered bore, special cage, rollers or internal geometry. (Non-interchangeable with basic part number.)
	TDL	Cone	Double with tapered bore, interlock feature. (Non-interchangeable with basic part number.)
	TDV	Cone	Double with tapered bore. Made of special steel. (Non-interchangeable with basic part number.)
	TDW	Cone	Double with tapered bore and slots or keys. (Non-interchangeable with basic part number.)

Tapered Roller Bearings Prefixes and Suffixes

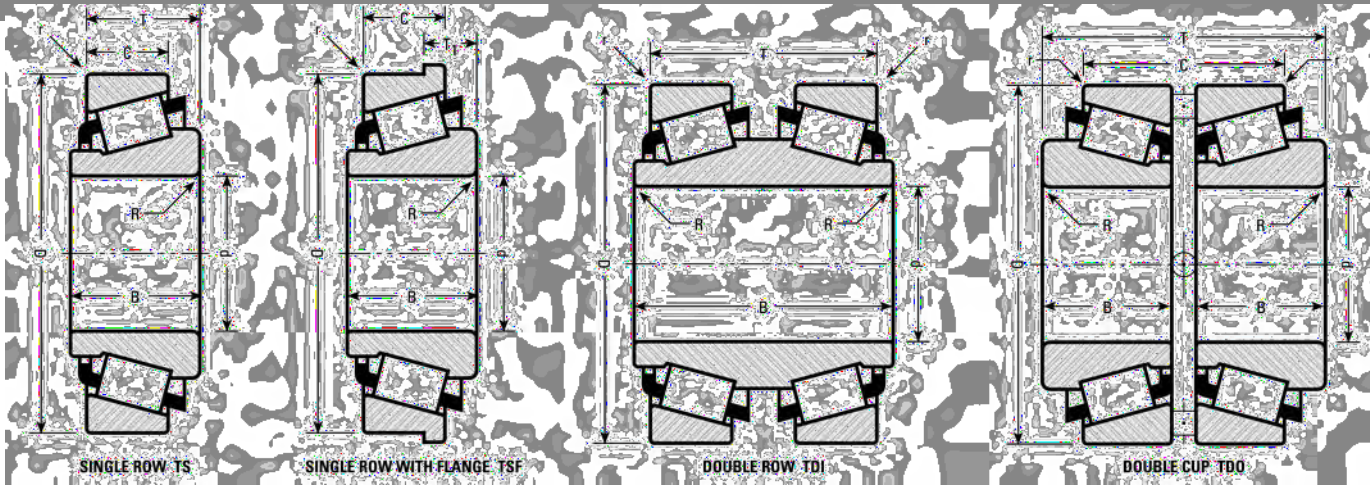
PREFIX	SUFFIX	CONE OR CUP	EXPLANATION
	TDXX	Cone	Double with tapered bore. Made of special steel. (Non-interchangeable with basic part number.)
	TE	Cone	Single, tapered bore, extended large rib. (Non-interchangeable with basic part number.)
	TEV	Cone	Single, tapered bore, extended large rib. Made of special steel. (Non-interchangeable with basic part number.)
	TL	Cone	Tapered bore with interlock feature. (Non-interchangeable with basic part number.)
	TLE	Cone	Tapered bore with interlock feature and extended rib. (Non-interchangeable with basic part number.)
	TP	Cone	Tapered bore cone with puller groove. (Non-interchangeable with basic part number.)
	TPE	Cone	Tapered bore cone with puller groove, extended large rib. (Non-interchangeable with basic part number.)
	TPV	Cone	Tapered bore cone. Made of special steel. (Non-interchangeable with basic part number.)
	TW	Cone & Cup	Tapered bore cone or cup OD with slots or keys. (Non-interchangeable with basic part number.)
	TWE	Cone & Cup	Tapered bore cone or cup OD with locking keyway in front face, extended larger rib. (Non-interchangeable with basic part number.)
	TXX	Cone	Tapered bore. Made of special steel. (Non-interchangeable with basic part number.)
U		Cone & Cup	Basic series part number, unitized, self-contained.
	U	Cone & Cup	Basic series part number, unitized, self-contained.
	US	Cone & Cup	Special close stand.
V		Cone & Cup	Special close stand.
	V	Cone & Cup	Made of special steel.
	VC	Cone	Special internal geometry. Made of special steel. (Non-interchangeable with basic part number.)
	VH	Cone	Special cage, rollers, and/or internal geometry. Made of special steel. (Non-interchangeable with basic part number.)
	W	Cone & Cup	Slot(s) or keyway(s).
	W	Thrust Bearing	Oil holes in retainer.
	WB	Cone	Slot(s) or keyway(s) with brass cage.
	WC	Cone	Slot(s) or keyway(s).
	WD	Cone	Double cone with slot(s) or keyway(s).
	WE	Cone & Cup	Extended face with slot(s) or keyway(s). (Non-interchangeable with basic part number.)
	WS	Cone & Cup	Slot(s) or keyway(s).
	WV	Cone & Cup	Slot(s) or keyway(s). Made of special steel.
	WXX	Cone & Cup	Slot(s) or keyway(s). Made of special steel.
X		Cone	IsoClass part number.
	X	Cone	Slot(s) or keyway(s).
	X	Cone & Cup	Special feature bearing. (Non-interchangeable with bearings having the same basic part number.)
	X	Cone & Cup	IsoClass bearing with same boundary dimensions as basic part number but with different internal geometry, yielding increased rating.

Tapered Roller Bearings Prefixes and Suffixes

PREFIX	SUFFIX	CONE OR CUP	EXPLANATION
	XA	Cone & Cup	Special feature bearing. (Non-interchangeable with bearings having the same basic part number.)
XAA		Cone	IsoClass single cone. (Non-interchangeable with bearings having the same basic part number.)
XAB		Cone	IsoClass single cone. (Non-interchangeable with bearings having the same basic part number.)
	XB	Cone	Different bore, width, or radius, from basic part number. Assembled with brass cage. (Non-interchangeable with basic part number.)
	XB	Cup	Special feature flanged cup. (Non-interchangeable with bearings having the same basic part number.) (Non-interchangeable with basic part number.)
XC		Cone & Cup	Limited production bearings to which standard series part numbers have not been assigned.
	XD	Cup	Double cup, no oil holes or groove.
	XD	Cone	Double cone, different bore or width from basic part numbers. Double cone, oil holes in large rib.
	XDXP	Cup	Double cup, no oil holes or groove, special material and process.
	XE	Cup	Different bore, width, or radius from basic part number.
XGA		Cone	IsoClass single cone. (Non-interchangeable with bearings having the same basic part number.)
XGB		Cone	IsoClass single cone. (Non-interchangeable with bearings having the same basic part number.)
	XP	Cone	Special steel and process.
XR			Crossed roller bearing series.
	XS	Cone & Cup	Different bore, width, or radius from basic part number.
	XS	Cone	Double.
	XV	Cone & Cup	Special feature cone or cup made of special steel.
	XW	Cone	Slotted.
	XX	Cone & Cup	Single cone or single cup. Made of special steel.
Y		Cup	IsoClass part number.
	YD	Cup	Double cup with oil holes, no groove. (Non-interchangeable with basic part number.)
	YDA	Cup	Double cup with oil holes, no groove. (Non-interchangeable with bearings having the same basic part number.)
	YDV	Cup	Double cup with oil holes, no groove. Made of special steel.
	YDW	Cone	Double cup with oil holes, no groove. Slot(s) or keyway(s) in face(s).
	YKA	Cup	IsoClass single cup. (Non-interchangeable with bearings having the same basic part number.)
YKB		Cup	IsoClass single cup. (Non-interchangeable with bearings having the same basic part number.)
YSA		Cup	IsoClass single cup. (Non-interchangeable with bearings having the same basic part number.)
	Z	Cone & Cup	Close stand part.

Tapered Roller Bearings

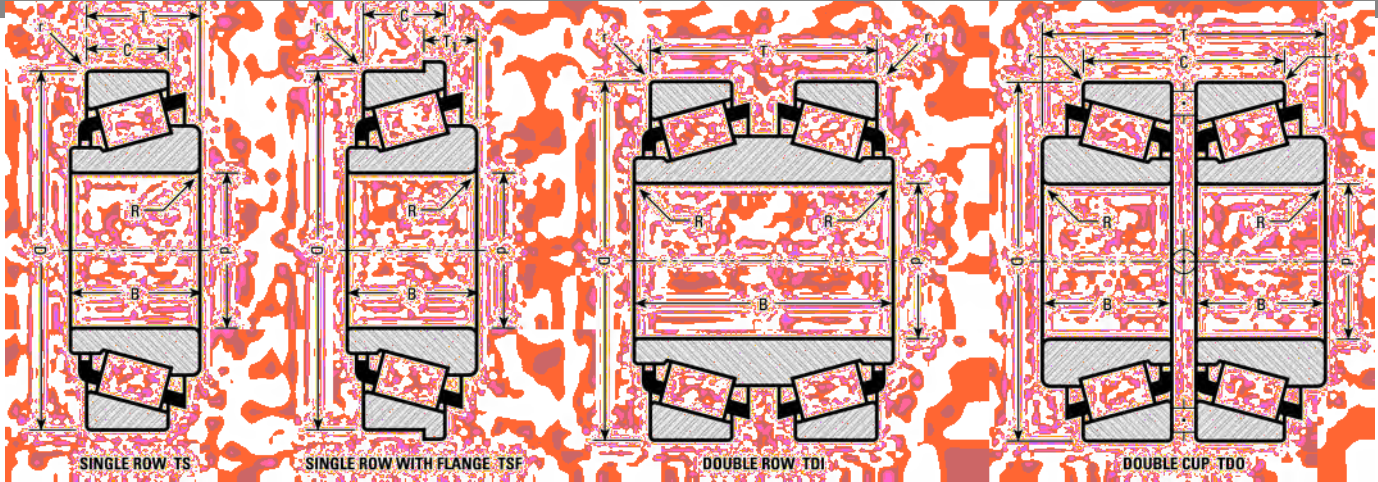
Bore Size Listing



Bore d	Cone		Part Number		Cup			Bearing	
	Width B	BF Radius R	Cone	Cup	OD D	Width C	BF Radius r	Width T / T1	Brg Type
0.375	0.425	0.05	A2037	A2120D	1.200	0.837	SPCL	1.000	TDO
9.525	10.785	1.27			30.480	21.260		25.400	
0.375	0.425	0.05	A2037	A2126	1.260	0.313	0.05	0.394	TS
9.525	10.785	1.27			31.991	7.938	1.27	10.008	
0.472	0.425	0.03	A2047	A2120D	1.200	0.837	SPCL	1.000	TDO
11.987	10.785	0.76			30.480	21.260		25.400	
0.472	0.425	0.03	A2047	A2126	1.260	0.313	0.05	0.394	TS
11.987	10.785	0.76			31.991	7.938	1.27	10.008	
0.472	0.425	0.03	A2047	A2126-B	1.260	0.313	0.05	0.176	TSF
11.987	10.785	0.76			31.991	7.938	1.27	4.458	
0.499	0.433	0.03	A4049	A4138	1.378	0.344	0.05	0.433	TS
12.680	10.988	0.76			34.987	8.730	1.27	10.998	
0.499	0.433	0.03	A4049	A4138D	1.378	0.813	0.03	0.991	TDO
12.680	10.988	0.76			34.987	20.638	0.64	25.174	
0.500	0.433	0.05	A4050	A4138	1.378	0.344	0.05	0.433	TS
12.700	10.988	1.27			34.987	8.730	1.27	10.998	
0.500	0.433	0.05	A4050	A4138-B	1.378	0.344	0.05	0.182	TSF
12.700	10.988	1.27			34.987	8.730	1.27	4.630	
0.500	0.433	0.05	A4050	A4138D	1.378	0.813	0.03	0.991	TDO
12.700	10.988	1.27			34.987	20.638	0.64	25.174	
0.500	0.554	0.06	00050	00150	1.500	0.438	0.03	0.531	TS
12.700	14.072	1.52			38.100	11.112	0.76	13.495	
0.590	0.433	0.03	A4059	A4138	1.378	0.344	0.05	0.433	TS
14.987	10.988	0.76			34.987	8.730	1.27	10.998	
0.590	0.433	0.03	A4059	A4138-B	1.378	0.344	0.05	0.182	TSF
14.987	10.988	0.76			34.987	8.730	1.27	4.630	

Tapered Roller Bearings

Bore Size Listing - Continued



Bore d	Cone		Part Number		Cup			Bearing	
	Width B	BF Radius R	Cone	Cup	OD D	Width C	BF Radius r	Width T / T1	Brg Type
0.590	0.433	0.03	A4059	A4138D	1.378	0.813	0.03	0.991	TDO
14.987	10.988	0.76			34.987	20.638	0.64	25.174	
0.591	0.512	0.04	30302	-	1.654	0.433	0.04	0.561	TS
15.000	13.000	1.02			42.000	11.000	1.02	14.250	
0.625	0.433	0.05	L21549	L21511	1.378	0.343	0.05	0.433	TS
15.875	11.000	1.27			34.988	8.712	1.27	10.998	
0.625	0.439	0.05	A6062	A6157	1.575	0.375	0.05	0.473	TS
15.875	11.153	1.27			39.992	9.525	1.27	12.014	
0.625	0.563	0.06	11590	11520	1.688	0.375	0.06	0.563	TS
15.875	14.288	1.52			42.862	9.525	1.52	14.288	
0.625	0.566	0.06	05062	05185	1.850	0.438	0.05	0.566	TS
15.875	14.381	1.52			47.000	11.112	1.27	14.381	
0.625	0.566	0.06	05062	05185-B	1.850	0.438	0.06	0.238	TSF
15.875	14.381	1.52			47.000	11.112	1.52	6.038	
0.625	0.566	0.06	05062	05185D	1.850	0.993	0.03	1.250	TDO
15.875	14.381	1.52			47.000	25.212	0.76	31.750	
0.625	0.578	0.05	03062	03162	1.625	0.438	0.08	0.563	TS
15.875	14.681	1.27			41.275	11.112	2.03	14.288	
0.625	0.656	0.06	17580	17520	1.688	0.531	0.06	0.656	TS
15.875	16.670	1.52			42.862	13.495	1.52	16.670	
0.625	0.848	0.03	09062	09195	1.938	0.563	0.05	0.781	TS
15.875	21.539	0.76			49.225	14.288	1.27	19.845	
0.629	0.827	0.04	HM81649	HM81610	1.849	0.630	0.08	0.827	TS
15.987	21.000	1.02			46.975	16.000	2.03	21.000	
0.669	0.439	0.03	A6067	A6157	1.575	0.375	0.05	0.473	TS
16.993	11.153	0.76			39.992	9.525	1.27	12.014	
0.669	0.472	0.04	30203	-	1.575	0.433	0.04	0.522	TS
17.000	12.000	1.02			40.000	11.000	1.02	13.250	

Tapered Roller Bearings

Bore Size Listing - Continued

Bore d	Cone		Part Number		OD D	Cup		Bearing	
	Width B	BF Radius R	Cone	Cup		Width C	BF Radius r	Width T / T1	Brg Type
0.669 17.000	0.551 14.000	0.04 1.02	30303	-	1.850 47.000	0.472 12.000	0.04 1.02	0.600 15.250	TS
0.669 16.993	0.566 14.381	0.06 1.52	05066	05185	1.850 47.000	0.438 11.112	0.05 1.27	0.566 14.381	TS
0.669 16.993	0.566 14.381	0.06 1.52	05066	05185D	1.850 47.000	0.993 25.212	0.03 0.76	1.250 31.750	TDO
0.687 17.455	0.438 11.112	0.06 1.52	A5069	A5144	1.438 36.525	0.313 7.938	0.06 1.52	0.438 11.112	TS
0.688 17.462	0.575 14.605	0.05 1.27	LM11749	LM11710	1.570 39.878	0.420 10.668	0.05 1.27	0.545 13.843	TS
0.748 19.004	0.781 19.837	0.06 1.50	1774	1729X	2.240 56.896	0.625 15.875	0.06 1.50	0.763 19.368	TS
0.750 19.050	0.439 11.153	0.04 1.02	A6075	A6157	1.575 39.992	0.375 9.525	0.05 1.27	0.473 12.014	TS
0.750 19.050	0.439 11.153	0.04 1.02	A6075	A6157-B	1.575 39.992	0.375 9.525	0.05 1.27	0.191 4.851	TSF
0.750 19.050	0.439 11.153	0.04 1.02	A6075	A6162	1.625 41.275	0.344 8.730	0.05 1.27	0.469 11.905	TS
0.750 19.050	0.469 11.908	0.06 1.52	4A	6	1.750 44.450	0.375 9.525	0.06 1.52	0.500 12.700	TS
0.750 19.050	0.566 14.381	0.05 1.27	05075	05185	1.850 47.000	0.438 11.112	0.05 1.27	0.566 14.381	TS
0.750 19.050	0.566 14.381	0.05 1.27	05075	05185D	1.850 47.000	0.993 25.212	0.03 0.76	1.250 31.750	TDO
0.750 19.050	0.655 16.637	0.05 1.27	LM11949	LM11910	1.781 45.237	0.475 12.065	0.05 1.27	0.610 15.494	TS
0.750 19.050	0.750 19.050	0.05 1.27	09067	09194	1.938 49.225	0.688 17.462	0.14 3.50	0.835 21.209	TS
0.750 19.050	0.750 19.050	0.05 1.27	09067	09195	1.938 49.225	0.563 14.288	0.05 1.27	0.710 18.034	TS
0.750 19.050	0.750 19.050	0.05 1.27	09067	09195AB	1.938 49.225	0.563 14.288	0.05 1.27	0.276 6.998	TSF
0.750 19.050	0.750 19.050	0.05 1.27	09067	09196	1.938 49.225	0.688 17.462	0.06 1.52	0.835 21.209	TS
0.750 19.050	0.781 19.837	0.06 1.52	1775	1729	2.240 56.896	0.625 15.875	0.05 1.27	0.763 19.368	TS
0.750 19.050	0.781 19.837	0.06 1.50	1775	1729X	2.240 56.896	0.625 15.875	0.06 1.50	0.763 19.368	TS
0.750 19.050	0.848 21.539	0.05 1.27	09078	09195	1.938 49.225	0.563 14.288	0.05 1.27	0.781 19.845	TS
0.750 19.050	0.848 21.539	0.06 1.52	09074	09195	1.938 49.225	0.563 14.288	0.05 1.27	0.781 19.845	TS
0.750 19.050	0.860 21.839	0.06 1.52	21075	21212	2.125 53.975	0.625 15.875	0.09 2.29	0.875 22.225	TS

Tapered Roller Bearings

Bore Size Listing - Continued

Cone			Part Number		Cup			Bearing	
Bore d	Width B	BF Radius R	Cone	Cup	OD D	Width C	BF Radius r	Width T / T1	Brg Type
0.787 20.000	0.551 14.000	0.04 1.00	30204	-	1.850 47.000	0.472 12.000	0.04 1.00	0.600 15.250	TS
0.787 20.000	0.551 14.000	0.04 1.00	30204M	-	1.850 47.000	0.472 12.000	0.04 1.00	0.600 15.250	TS
0.787 20.000	0.561 14.260	0.06 1.52	07079	07196	1.969 50.005	0.375 9.525	0.04 1.02	0.531 13.495	TS
0.787 20.000	0.561 14.260	0.06 1.52	07079	07196D	1.969 50.005	1.000 25.400	0.03 0.64	1.313 33.340	TDO
0.787 20.000	0.561 14.260	0.06 1.52	07079	07196DC	1.969 50.005	1.000 25.400	0.03 0.64	1.313 33.340	TDO
0.787 19.987	0.566 14.381	0.06 1.52	05079	05185	1.850 47.000	0.438 11.112	0.05 1.27	0.566 14.381	TS
0.787 19.987	0.566 14.381	0.06 1.52	05079	05185-B	1.850 47.000	0.438 11.112	0.06 1.52	0.238 6.048	TSF
0.787 19.987	0.566 14.381	0.06 1.52	05079	05185D	1.850 47.000	0.993 25.212	0.03 0.76	1.250 31.750	TDO
0.787 20.000	0.591 15.000	0.03 0.64	32004X	-	1.654 42.000	0.472 12.000	0.03 0.64	0.591 15.000	TS
0.787 20.000	0.591 15.000	0.06 1.52	30304	-	2.047 52.000	0.512 13.000	0.06 1.52	0.640 16.250	TS
0.787 20.000	0.591 15.000	0.08 2.03	XAA32004X	Y32004X	1.654 42.000	0.472 12.000	0.03 0.64	0.591 15.000	TS
0.787 20.000	0.591 15.000	0.08 2.03	XAA32004X	YAA32004X	1.654 42.000	0.472 12.000	0.04 1.02	0.591 15.000	TS
0.787 20.000	0.709 18.000	0.04 1.02	32204	-	1.850 47.000	0.591 15.000	0.04 1.02	0.758 19.250	TS
0.787 20.000	0.827 21.000	0.06 1.52	32304	-	2.047 52.000	0.709 18.000	0.06 1.52	0.876 22.250	TS
0.787 20.000	0.827 21.000	0.06 1.50	32304M	-	2.047 52.000	0.709 18.000	0.06 1.50	0.876 22.250	TS
0.812 20.627	0.781 19.837	0.03 0.80	1778	1729X	2.240 56.896	0.625 15.875	0.06 1.50	0.763 19.368	TS
0.812 20.625	0.848 21.539	0.06 1.52	09081	09195	1.938 49.225	0.563 14.288	0.05 1.27	0.781 19.845	TS
0.812 20.625	0.848 21.539	0.06 1.52	09081	09195AB	1.938 49.225	0.563 14.288	0.05 1.27	0.347 8.809	TSF
0.813 20.638	0.781 19.845	0.06 1.52	12580	12520	1.938 49.225	0.625 15.875	0.06 1.52	0.781 19.845	TS
0.843 21.422	0.781 19.837	0.06 1.50	1784A	1729X	2.240 56.896	0.625 15.875	0.06 1.50	0.763 19.368	TS
0.844 21.430	0.720 18.288	0.05 1.27	M12649	M12610	1.969 50.005	0.550 13.970	0.05 1.27	0.690 17.526	TS
0.866 21.987	0.655 16.637	0.05 1.27	LM12749	LM12710	1.781 45.237	0.475 12.065	0.05 1.27	0.610 15.494	TS

Tapered Roller Bearings

Bore Size Listing - Continued

Bore d	Cone		Part Number		OD D	Cup		Bearing	
	Width B	BF Radius R	Cone	Cup		Width C	BF Radius r	Width T / T1	Brg Type
0.866 21.987	0.655 16.637	0.05 1.27	LM12749	LM12711	1.810 45.975	0.475 12.065	0.05 1.27	0.610 15.494	TS
0.875 22.225	0.440 11.176	0.05 1.27	LL52549	LL52510	1.656 42.070	0.340 8.636	0.05 1.27	0.440 11.176	TS
0.875 22.225	0.561 14.260	0.05 1.27	07087	07196	1.969 50.005	0.375 9.525	0.04 1.02	0.531 13.495	TS
0.875 22.225	0.561 14.260	0.05 1.27	07087	07196D	1.969 50.005	1.000 25.400	0.03 0.64	1.313 33.340	TDO
0.875 22.225	0.561 14.260	0.05 1.27	07087	07196DC	1.969 50.005	1.000 25.400	0.03 0.64	1.313 33.340	TDO
0.875 22.225	0.561 14.260	0.05 1.30	7087	7204	2.047 51.994	0.500 12.700	0.05 1.30	0.591 15.011	TS
0.875 22.225	0.561 14.260	0.06 1.50	07087X	07210X	2.000 50.800	0.500 12.700	0.06 1.50	0.591 15.011	TS
0.875 22.225	0.720 18.288	0.05 1.27	M12648	M12610	1.969 50.005	0.550 13.970	0.05 1.27	0.690 17.526	TS
0.875 22.225	0.762 19.355	0.03 0.76	1975	1932	2.313 58.738	0.594 15.080	0.05 1.27	0.750 19.050	TS
0.875 22.225	0.781 19.837	0.05 1.27	1755	1729	2.240 56.896	0.625 15.875	0.05 1.27	0.763 19.368	TS
0.875 22.225	0.781 19.837	0.05 1.30	1755	1729X	2.240 56.896	0.625 15.875	0.06 1.50	0.763 19.368	TS
0.875 22.225	0.794 20.168	0.06 1.52	1380	1328	2.063 52.388	0.563 14.288	0.06 1.52	0.763 19.368	TS
0.875 22.225	0.794 20.168	0.06 1.52	1380	1328-B	2.063 52.388	0.563 14.288	0.06 1.52	0.356 9.042	TSF
0.875 22.225	0.794 20.168	0.06 1.52	1380	1329	2.125 53.975	0.563 14.288	0.06 1.52	0.763 19.368	TS
0.875 22.225	0.875 22.225	0.03 0.76	1280	1220	2.250 57.150	0.688 17.462	0.06 1.52	0.875 22.225	TS
0.875 22.225	1.001 25.433	0.06 1.50	2684	2620	2.484 63.100	0.750 19.050	0.13 3.30	0.938 23.812	TS
0.875 22.225	1.001 25.433	0.06 1.52	2684	2631	2.615 66.421	0.750 19.050	0.05 1.27	0.938 23.812	TS
0.890 22.606	0.610 15.500	0.06 1.52	LM72849	LM72810	1.850 47.000	0.472 12.000	0.04 1.02	0.610 15.500	TS
0.938 23.812	0.561 14.260	0.06 1.52	07093	07196	1.969 50.005	0.375 9.525	0.04 1.02	0.531 13.495	TS
0.938 23.812	0.561 14.260	0.06 1.52	07093	07196D	1.969 50.005	1.000 25.400	0.03 0.64	1.313 33.340	TDO
0.938 23.812	0.561 14.260	0.06 1.52	07093	07196DC	1.969 50.005	1.000 25.400	0.03 0.64	1.313 33.340	TDO
0.938 23.812	0.580 14.732	0.06 1.52	L44640	L44610	1.980 50.292	0.420 10.668	0.05 1.27	0.560 14.224	TS

bearing
specification:
0010110111011100110101
0010110111011100110101

TIMKEN®

Tapered Roller Bearings

Bore Size Listing - Continued

Cone			Part Number		Cup			Bearing	
Bore d	Width B	BF Radius R	Cone	Cup	OD D	Width C	BF Radius r	Width T / T1	Brg Type
0.938	0.781	0.03	1779	1729	2.240	0.625	0.05	0.763	TS
23.812	19.837	0.76			56.896	15.875	1.27	19.368	
0.938	0.781	0.03	1779	1729X	2.240	0.625	0.06	0.763	TS
23.812	19.837	0.80			56.896	15.875	1.50	19.368	
0.938	0.845	0.06	23092	23256	2.563	0.625	0.06	0.875	TS
23.812	21.463	1.52			65.088	15.875	1.52	22.225	
0.938	0.956	0.03	1751	1729X	2.240	0.625	0.06	0.938	TS
23.812	24.282	0.80			56.896	15.875	1.50	23.812	
0.938	1.001	0.03	2683	2620	2.484	0.750	0.13	0.938	TS
23.812	25.433	0.80			63.100	19.050	3.30	23.812	
0.938	1.001	0.03	2685	2620	2.484	0.750	0.13	0.938	TS
23.812	25.433	0.80			63.100	19.050	3.30	23.812	
0.938	1.198	0.09	3659	3620	2.438	0.938	0.13	1.125	TS
23.812	30.416	2.29			61.912	23.812	3.30	28.575	
0.945	0.984	0.08	JHM33449	JHM33410	2.165	0.827	0.08	0.984	TS
24.000	25.000	2.03			55.000	21.000	2.03	25.000	
0.984	0.561	0.06	07097	07196	1.969	0.375	0.04	0.531	TS
25.000	14.260	1.52			50.005	9.525	1.02	13.495	
0.984	0.561	0.06	07097	07196D	1.969	1.000	0.03	1.313	TDO
25.000	14.260	1.52			50.005	25.400	0.64	33.340	
0.984	0.561	0.06	07097	07196DC	1.969	1.000	0.03	1.313	TDO
25.000	14.260	1.52			50.005	25.400	0.64	33.340	
0.984	0.561	0.06	7097	7204	2.047	0.500	0.05	0.591	TS
25.000	14.260	1.50			51.994	12.700	1.30	15.011	
0.984	0.561	0.06	07098	07196	1.969	0.375	0.04	0.531	TS
24.981	14.260	1.52			50.005	9.525	1.02	13.495	
0.984	0.561	0.06	07098	07196D	1.969	1.000	0.03	1.313	TDO
24.981	14.260	1.52			50.005	25.400	0.64	33.340	
0.984	0.561	0.06	07098	07196DC	1.969	1.000	0.03	1.313	TDO
24.981	14.260	1.52			50.005	25.400	0.64	33.340	
0.984	0.561	0.06	7098	7204	2.047	0.500	0.05	0.591	TS
24.981	14.260	1.50			51.994	12.700	1.30	15.011	
0.984	0.561	0.06	07098W	07210X	2.000	0.500	0.06	0.591	TS
24.981	14.260	1.50			50.800	12.700	1.50	15.011	
0.984	0.591	0.03	32005X	-	1.850	0.453	0.03	0.591	TS
25.000	15.000	0.64			47.000	11.500	0.64	15.000	
0.984	0.591	0.04	30205	-	2.047	0.512	0.04	0.640	TS
25.000	15.000	1.00			52.000	13.000	1.00	16.250	
0.984	0.591	0.04	30205M	-	2.047	0.512	0.04	0.640	TS
25.000	15.000	1.00			52.000	13.000	1.00	16.250	
0.984	0.591	0.13	XAA32005X	Y32005X	1.850	0.453	0.03	0.591	TS
25.000	15.000	3.30			47.000	11.500	0.64	15.000	
0.984	0.591	0.13	XAA32005X	YAA32005X	1.850	0.453	0.04	0.591	TS
25.000	15.000	3.30			47.000	11.500	1.02	15.000	

Tapered Roller Bearings

Bore Size Listing - Continued

Cone			Part Number		Cup			Bearing	
Bore d	Width B	BF Radius R	Cone	Cup	OD D	Width C	BF Radius r	Width T / T1	Brg Type
0.984 25.000	0.591 15.000	0.16 4.00	XAA30205	Y30205	2.047 52.000	0.512 13.000	0.04 1.02	0.640 16.250	TS
0.984 25.000	0.591 15.000	0.16 4.00	XAA30205	YAA30205	2.047 52.000	0.512 13.000	0.06 1.52	0.640 16.250	TS
0.984 24.981	0.652 16.566	0.06 1.52	17098	17244	2.441 62.000	0.563 14.288	0.06 1.52	0.630 16.002	TS
0.984 24.981	0.652 16.566	0.06 1.52	17098	17245D	2.441 62.000	1.428 36.258	0.03 0.76	1.563 39.688	TDO
0.984 25.000	0.669 17.000	0.06 1.50	30305	-	2.441 62.000	0.591 15.000	0.06 1.50	0.719 18.250	TS
0.984 25.000	0.669 17.000	0.06 1.50	30305M	-	2.441 62.000	0.591 15.000	0.06 1.50	0.719 18.250	TS
0.984 25.000	0.709 18.000	0.04 1.02	32205	-	2.047 52.000	0.630 16.000	0.04 1.02	0.758 19.250	TS
0.984 25.000	0.709 18.000	0.04 1.02	32205-B	-	2.047 52.000	0.591 15.000	0.04 1.02	0.758 19.250	TS
0.984 25.000	0.866 22.000	0.04 1.02	33205	-	2.047 52.000	0.709 18.000	0.04 1.02	0.866 22.000	TS
0.984 25.000	0.945 24.000	0.06 1.52	32305	-	2.441 62.000	0.787 20.000	0.06 1.52	0.994 25.250	TS
0.984 25.000	1.457 37.000	0.02 0.60	513001	-	2.074 52.000	1.457 37.000	0.12 0.30	1.457 37.000	TDO
0.991 25.159	0.561 14.260	0.06 1.52	07096	07196	1.969 50.005	0.375 9.525	0.04 1.02	0.531 13.495	TS
0.991 25.159	0.561 14.260	0.06 1.52	07096	07196D	1.969 50.005	1.000 25.400	0.03 0.64	1.313 33.340	TDO
0.991 25.159	0.561 14.260	0.06 1.52	07096	07196DC	1.969 50.005	1.000 25.400	0.03 0.64	1.313 33.340	TDO
1.000 25.400	0.561 14.260	0.04 1.02	07100	07196	1.969 50.005	0.375 9.525	0.04 1.02	0.531 13.495	TS
1.000 25.400	0.561 14.260	0.04 1.02	07100	07196-B	1.969 50.005	0.375 9.525	0.04 1.02	0.266 6.749	TSF
1.000 25.400	0.561 14.260	0.04 1.02	07100	07196D	1.969 50.005	1.000 25.400	0.03 0.64	1.313 33.340	TDO
1.000 25.400	0.561 14.260	0.04 1.02	07100	07196DC	1.969 50.005	1.000 25.400	0.03 0.64	1.313 33.340	TDO
1.000 25.400	0.561 14.260	0.04 1.00	7100	7204	2.047 51.994	0.500 12.700	0.05 1.30	0.591 15.011	TS
1.000 25.400	0.561 14.260	0.04 1.02	07100	07204-B	2.047 51.994	0.500 12.700	0.06 1.52	0.200 5.080	TSF
1.000 25.400	0.561 14.260	0.04 1.00	07100W	07210X	2.000 50.800	0.500 12.700	0.06 1.50	0.591 15.011	TS
1.000 25.400	0.561 14.260	0.06 1.52	07100-S	07196	1.969 50.005	0.375 9.525	0.04 1.02	0.531 13.495	TS

bearing
specification:
0010110111011100110101
0010110111011100110101

TIMKEN®

Tapered Roller Bearings

Bore Size Listing - Continued

Cone			Part Number		Cup			Bearing	
Bore d	Width B	BF Radius R	Cone	Cup	OD D	Width C	BF Radius r	Width T / T1	Brg Type
1.000	0.561	0.06	07100-S	07196D	1.969	1.000	0.03	1.313	TDO
25.400	14.260	1.52			50.005	25.400	0.64	33.340	
1.000	0.561	0.06	07100-S	07196DC	1.969	1.000	0.03	1.313	TDO
25.400	14.260	1.52			50.005	25.400	0.64	33.340	
1.000	0.561	0.06	07100-S	07210X	2.000	0.500	0.06	0.591	TS
25.400	14.260	1.50			50.800	12.700	1.50	15.011	
1.000	0.561	0.13	07100-SA	07210X	2.000	0.500	0.06	0.591	TS
25.400	14.260	3.30			50.800	12.700	1.50	15.011	
1.000	0.580	0.05	L44643	L44610	1.980	0.420	0.05	0.560	TS
25.400	14.732	1.27			50.292	10.668	1.27	14.224	
1.000	0.580	0.14	L44642	L44610	1.980	0.420	0.05	0.560	TS
25.400	14.732	3.50			50.292	10.668	1.27	14.224	
1.000	0.688	0.05	15578	15523	2.375	0.625	0.06	0.781	TS
25.400	17.462	1.27			60.325	15.875	1.52	19.842	
1.000	0.762	0.05	1986	1922	2.250	0.625	0.06	0.781	TS
25.400	19.355	1.27			57.150	15.875	1.52	19.845	
1.000	0.762	0.05	1986	1932	2.313	0.594	0.05	0.750	TS
25.400	19.355	1.27			58.738	15.080	1.27	19.050	
1.000	0.765	0.06	M84548	M84510	2.250	0.580	0.06	0.765	TS
25.400	19.431	1.52			57.150	14.732	1.52	19.431	
1.000	0.781	0.03	1780	1729	2.240	0.625	0.05	0.763	TS
25.400	19.837	0.76			56.896	15.875	1.27	19.368	
1.000	0.781	0.03	1780	1729X	2.240	0.625	0.06	0.763	TS
25.400	19.837	0.80			56.896	15.875	1.50	19.368	
1.000	0.813	0.03	15101	15243	2.438	0.563	0.08	0.750	TS
25.400	20.638	0.76			61.912	14.288	2.03	19.050	
1.000	0.813	0.03	15101	15244	2.441	0.625	0.05	0.813	TS
25.400	20.638	0.76			62.000	15.875	1.27	20.638	
1.000	0.813	0.03	15101	15245	2.441	0.563	0.05	0.750	TS
25.400	20.638	0.76			62.000	14.288	1.27	19.050	
1.000	0.813	0.03	15101	15250	2.500	0.625	0.05	0.813	TS
25.400	20.638	0.76			63.500	15.875	1.27	20.638	
1.000	0.813	0.03	15101	15250-B	2.500	0.625	0.05	0.344	TSF
25.400	20.638	0.76			63.500	15.875	1.27	8.730	
1.000	0.813	0.03	15101	15250X	2.500	0.625	0.06	0.813	TS
25.400	20.638	0.76			63.500	15.875	1.52	20.638	
1.000	0.813	0.03	15101	15251D	2.500	1.438	0.03	1.813	TDO
25.400	20.638	0.76			63.500	36.512	0.76	46.038	
1.000	0.813	0.06	15102	15245	2.441	0.563	0.05	0.750	TS
25.400	20.638	1.52			62.000	14.288	1.27	19.050	
1.000	0.813	0.06	15102	15251D	2.500	1.438	0.03	1.813	TDO
25.400	20.638	1.52			63.500	36.512	0.76	46.038	
1.000	0.813	0.14	15100	15245	2.441	0.563	0.05	0.750	TS
25.400	20.638	3.50			62.000	14.288	1.27	19.050	

Tapered Roller Bearings

Bore Size Listing - Continued

Cone			Part Number		Cup			Bearing	
Bore d	Width B	BF Radius R	Cone	Cup	OD D	Width C	BF Radius r	Width T / T1	Brg Type
1.000 25.400	0.813 20.638	0.14 3.50	15100	15251D	2.500 63.500	1.438 36.512	0.03 0.76	1.813 46.038	TDO
1.000 25.400	0.844 21.433	0.06 1.52	M86643	M86610	2.531 64.292	0.656 16.670	0.06 1.52	0.844 21.433	TS
1.000 25.400	0.845 21.463	0.06 1.52	23100	23256	2.563 65.088	0.625 15.875	0.06 1.52	0.875 22.225	TS
1.000 25.400	0.910 23.114	0.03 0.76	M84249	M84210	2.344 59.530	0.720 18.288	0.06 1.52	0.920 23.368	TS
1.000 25.400	0.938 23.812	0.03 0.80	2473	2420	2.688 68.262	0.688 17.462	0.06 1.50	0.875 22.225	TS
1.000 25.400	0.938 23.812	0.09 2.30	2473X	2420	2.688 68.262	0.688 17.462	0.06 1.50	0.875 22.225	TS
1.000 25.400	1.000 25.400	0.03 0.76	HM88630	HM88610	2.844 72.233	0.781 19.842	0.09 2.29	1.000 25.400	TS
1.000 25.400	1.001 25.433	0.05 1.30	2687	2620	2.484 63.100	0.750 19.050	0.13 3.30	0.938 23.812	TS
1.000 25.400	1.001 25.433	0.05 1.27	2687	2631	2.615 66.421	0.750 19.050	0.05 1.27	0.938 23.812	TS
1.023 25.987	0.688 17.462	0.14 3.50	15579X	15520	2.250 57.150	0.531 13.495	0.06 1.50	0.688 17.462	TS
1.023 25.987	0.688 17.462	0.14 3.50	15579X	15520RB	2.250 57.150	0.531 13.495	0.06 1.50	0.688 17.462	TS
1.023 25.987	0.688 17.462	0.14 3.50	15579X	15522A	2.344 59.530	0.594 15.083	0.13 3.30	0.766 19.446	TS
1.023 25.987	0.688 17.462	0.14 3.50	15579X	15523	2.375 60.325	0.625 15.875	0.06 1.50	0.781 19.842	TS
1.023 25.987	0.688 17.462	0.14 3.50	15579X	15523RB	2.375 60.325	0.625 15.875	0.06 1.50	0.781 19.842	TS
1.030 26.162	0.785 19.939	0.03 0.80	15103S	15243	2.438 61.912	0.563 14.288	0.08 2.00	0.750 19.050	TS
1.030 26.162	0.785 19.939	0.03 0.80	15103S	15244	2.441 62.000	0.625 15.875	0.05 1.30	0.813 20.638	TS
1.030 26.162	0.785 19.939	0.03 0.80	15103S	15245	2.441 62.000	0.563 14.288	0.05 1.30	0.750 19.050	TS
1.030 26.162	0.785 19.939	0.03 0.80	15103S	15249	2.500 63.500	0.625 15.875	0.06 1.50	0.813 20.638	TS
1.030 26.162	0.785 19.939	0.03 0.80	15103S	15250	2.500 63.500	0.625 15.875	0.05 1.30	0.813 20.638	TS
1.030 26.162	0.785 19.939	0.03 0.80	15103S	15250RB	2.500 63.500	0.625 15.875	0.05 1.30	0.813 20.638	TS
1.030 26.162	0.785 19.939	0.03 0.80	15103S	15250X	2.500 63.500	0.625 15.875	0.06 1.50	0.813 20.638	TS
1.030 26.157	0.813 20.638	0.03 0.76	15103	15245	2.441 62.000	0.563 14.288	0.05 1.27	0.750 19.050	TS

bearing
specification:
0010110111011100110101
0010110111011100110101

TIMKEN®

Tapered Roller Bearings

Bore Size Listing - Continued

Cone			Part Number		Cup			Bearing	
Bore d	Width B	BF Radius R	Cone	Cup	OD D	Width C	BF Radius r	Width T / T1	Brg Type
1.030	0.813	0.03	15103	15251D	2.500	1.438	0.03	1.813	TDO
26.157	20.638	0.76			63.500	36.512	0.76	46.038	
1.030	1.001	0.06	2682	2620	2.484	0.750	0.13	0.938	TS
26.162	25.433	1.50			63.100	19.050	3.30	23.812	
1.062	0.762	0.03	1987	1932	2.313	0.594	0.05	0.750	TS
26.975	19.355	0.76			58.738	15.080	1.27	19.050	
1.063	0.580	0.14	L44649	L44610	1.980	0.420	0.05	0.560	TS
26.987	14.732	3.50			50.292	10.668	1.27	14.224	
1.063	0.688	0.14	15580	15520-B	2.250	0.531	0.06	0.313	TSF
26.987	17.462	3.50			57.150	13.495	1.52	7.938	
1.063	0.688	0.14	15580	15523	2.375	0.625	0.06	0.781	TS
26.987	17.462	3.50			60.325	15.875	1.52	19.842	
1.063	0.765	0.06	M84549	M84510	2.250	0.580	0.06	0.765	TS
26.987	19.431	1.52			57.150	14.732	1.52	19.431	
1.063	0.813	0.03	15106	15245	2.441	0.563	0.05	0.750	TS
26.987	20.638	0.76			62.000	14.288	1.27	19.050	
1.063	0.813	0.03	15106	15251D	2.500	1.438	0.03	1.813	TDO
26.987	20.638	0.76			63.500	36.512	0.76	46.038	
1.063	0.955	0.09	41106	41286	2.859	0.688	0.06	0.969	TS
26.987	24.257	2.29			72.626	17.462	1.52	24.608	
1.063	1.001	0.06	2688	2620	2.484	0.750	0.13	0.938	TS
26.987	25.433	1.50			63.100	19.050	3.30	23.812	
1.063	1.001	0.06	2688	2631	2.615	0.750	0.05	0.938	TS
26.987	25.433	1.52			66.421	19.050	1.27	23.812	
1.071	1.001	0.01	2681	2620	2.484	0.750	0.13	0.938	TS
27.201	25.433	0.30			63.100	19.050	3.30	23.812	
1.102	0.658	0.14	513029	-	1.980	0.420		0.658	TS
28.000	16.724	3.60			50.292	10.668		16.724	
1.102	0.728		516000	-	2.047	0.630		0.728	TS
28.000	18.500				52.000	16.000		18.500	
1.102	0.737		516001	-	1.980	0.560		0.737	TS
28.000	18.724				50.292	14.224		18.724	
1.125	0.688	0.14	15590	15520	2.250	0.531	0.06	0.688	TS
28.575	17.462	3.50			57.150	13.495	1.52	17.462	
1.125	0.688	0.14	15590	15520-B	2.250	0.531	0.06	0.322	TSF
28.575	17.462	3.50			57.150	13.495	1.52	8.166	
1.125	0.688	0.14	15590	15523	2.375	0.625	0.06	0.781	TS
28.575	17.462	3.50			60.325	15.875	1.52	19.842	
1.125	0.745	0.06	26112	26283	2.835	0.625	0.06	0.748	TS
28.575	18.923	1.52			72.000	15.875	1.52	19.000	
1.125	0.745	0.06	26112	26283-S	2.835	0.625	0.08	0.748	TS
28.575	18.923	1.52			72.000	15.875	2.03	19.000	
1.125	0.762	0.03	1985	1930	2.240	0.625	0.03	0.781	TS
28.575	19.355	0.76			56.896	15.875	0.76	19.845	

Tapered Roller Bearings

Bore Size Listing - Continued

Cone			Part Number		Cup			Bearing	
Bore d	Width B	BF Radius R	Cone	Cup	OD D	Width C	BF Radius r	Width T / T1	Brg Type
1.125 28.575	0.762 19.355	0.03 0.76	1985	1931	2.375 60.325	0.625 15.875	0.05 1.27	0.781 19.845	TS
1.125 28.575	0.762 19.355	0.03 0.76	1985	1931-B	2.375 60.325	0.625 15.875	0.03 0.76	0.313 7.938	TSF
1.125 28.575	0.762 19.355	0.03 0.76	1985	1932	2.313 58.738	0.594 15.080	0.05 1.27	0.750 19.050	TS
1.125 28.575	0.762 19.355	0.14 3.50	1988	1932	2.313 58.738	0.594 15.080	0.05 1.27	0.750 19.050	TS
1.125 28.575	0.813 20.638	0.03 0.76	15113	15245	2.441 62.000	0.563 14.288	0.05 1.27	0.750 19.050	TS
1.125 28.575	0.813 20.638	0.03 0.76	15113	15251D	2.500 63.500	1.438 36.512	0.03 0.76	1.813 46.038	TDO
1.125 28.575	0.813 20.638	0.14 3.50	15112	15245	2.441 62.000	0.563 14.288	0.05 1.27	0.750 19.050	TS
1.125 28.575	0.813 20.638	0.14 3.50	15112	15251D	2.500 63.500	1.438 36.512	0.03 0.76	1.813 46.038	TDO
1.125 28.575	0.844 21.433	0.06 1.52	M86647	M86610	2.531 64.292	0.656 16.670	0.06 1.52	0.844 21.433	TS
1.125 28.575	0.875 22.225	0.03 0.76	02474	02420-B	2.688 68.262	0.688 17.462	0.06 1.52	0.344 8.730	TSF
1.125 28.575	0.875 22.225	0.03 0.76	02872	02820	2.875 73.025	0.688 17.462	0.13 3.30	0.875 22.225	TS
1.125 28.575	0.875 22.225	0.03 0.76	02872	02823D	3.000 76.200	1.500 38.100	0.03 0.76	1.875 47.625	TDO
1.125 28.575	0.938 23.812	0.03 0.80	2474	2420	2.688 68.262	0.688 17.462	0.06 1.50	0.875 22.225	TS
1.125 28.575	0.948 24.074	0.03 0.76	43112	43312	3.125 79.375	0.688 17.462	0.06 1.52	1.000 25.400	TS
1.125 28.575	0.948 24.074	0.03 0.76	43112	43319D	3.188 80.962	1.563 39.688	0.06 1.52	2.188 55.562	TDO
1.125 28.575	0.948 24.074	0.03 0.76	43112	43319DC	3.188 80.962	1.563 39.687	0.06 1.52	2.188 55.562	TDO
1.125 28.575	0.955 24.257	0.06 1.52	41126	41286	2.859 72.626	0.688 17.462	0.06 1.52	0.969 24.608	TS
1.125 28.575	0.955 24.257	0.19 4.83	41125	41286	2.859 72.626	0.688 17.462	0.06 1.52	0.969 24.608	TS
1.125 28.575	0.998 25.357	0.09 2.29	2578	2523	2.750 69.850	0.750 19.050	0.05 1.27	0.938 23.812	TS
1.125 28.575	0.998 25.357	0.09 2.29	2578	2523D	2.750 69.850	2.250 57.150	0.03 0.76	2.625 66.675	TDO
1.125 28.575	1.001 25.433	0.05 1.50	2689	2620	2.484 63.100	0.750 19.050	0.13 3.30	0.938 23.812	TS
1.125 28.575	1.001 25.433	0.05 1.27	2689	2631	2.615 66.421	0.750 19.050	0.05 1.27	0.938 23.812	TS

bearing
specification:
0010110111011100110101
0010110111011100110101

TIMKEN®

Tapered Roller Bearings

Bore Size Listing - Continued

Cone			Part Number		Cup			Bearing	
Bore d	Width B	BF Radius R	Cone	Cup	OD D	Width C	BF Radius r	Width T / T1	Brg Type
1.125	1.181	0.05	3198	3120	2.859	0.938	0.13	1.188	TS
28.575	29.997	1.27			72.626	23.812	3.30	30.162	
1.125	1.181	0.05	3198	3120-B	2.859	0.938	0.13	0.438	TSF
28.575	29.997	1.27			72.626	23.812	3.30	11.112	
1.125	1.181	0.05	3198	3130	2.859	0.938	0.03	1.188	TS
28.575	29.997	1.27			72.626	23.812	0.76	30.162	
1.125	1.181	0.14	3192	3120	2.859	0.938	0.13	1.188	TS
28.575	29.997	3.50			72.626	23.812	3.30	30.162	
1.142	0.580	0.14	L45449	L45410	1.980	0.420	0.05	0.560	TS
29.000	14.732	3.50			50.292	10.668	1.27	14.224	
1.156	1.001	0.03	2691	2620	2.484	0.750	0.13	0.938	TS
29.367	25.433	0.80			63.100	19.050	3.30	23.812	
1.156	1.001	0.14	2690	2620	2.484	0.750	0.13	0.938	TS
29.367	25.433	3.50			63.100	19.050	3.30	23.812	
1.156	1.001	0.14	2690	2631	2.615	0.750	0.05	0.938	TS
29.367	25.433	3.50			66.421	19.050	1.27	23.812	
1.156	1.001	0.14	2690	2631-B	2.615	0.750	0.03	0.344	TSF
29.367	25.433	3.50			66.421	19.050	0.76	8.725	
1.181	0.630	0.04	30206	-	2.441	0.551	0.04	0.679	TS
30.000	16.000	1.00			62.000	14.000	1.00	17.250	
1.181	0.630	0.04	30206M	-	2.441	0.551	0.04	0.679	TS
30.000	16.000	1.00			62.000	14.000	1.00	17.250	
1.181	0.652	0.06	17118	17244	2.441	0.563	0.06	0.630	TS
29.987	16.566	1.52			62.000	14.288	1.52	16.002	
1.181	0.652	0.06	17118	17244-B	2.441	0.563	0.06	0.208	TSF
29.987	16.566	1.52			62.000	14.288	1.52	5.270	
1.181	0.652	0.06	17118	17245D	2.441	1.428	0.03	1.563	TDO
29.987	16.566	1.52			62.000	36.258	0.76	39.688	
1.181	0.669	0.04	32006X	-	2.165	0.512	0.04	0.669	TS
30.000	17.000	1.02			55.000	13.000	1.02	17.000	
1.181	0.745	0.06	26118	26283	2.835	0.625	0.06	0.748	TS
29.987	18.923	1.52			72.000	15.875	1.52	19.000	
1.181	0.745	0.06	26118	26334	3.347	0.625	0.06	0.748	TS
29.987	18.923	1.52			85.000	15.875	1.52	19.000	
1.181	0.748	0.06	30306	-	2.835	0.630	0.06	0.817	TS
30.000	19.000	1.50			72.000	16.000	1.50	20.749	
1.181	0.748	0.06	30306M	-	2.835	0.630	0.06	0.817	TS
30.000	19.000	1.52			72.000	16.000	1.52	20.750	
1.181	0.771	0.14	14117A	14276	2.717	0.625	0.05	0.781	TS
30.000	19.583	3.50			69.012	15.875	1.27	19.845	
1.181	0.771	0.14	14117A	14276D	2.717	1.500	0.03	1.813	TDO
30.000	19.583	3.50			69.012	38.100	0.76	46.040	
1.181	0.787	0.04	32206	-	2.441	0.669	0.04	0.837	TS
30.000	20.000	1.00			62.000	17.000	1.00	21.250	

Tapered Roller Bearings

Bore Size Listing - Continued

Cone			Part Number		Cup			Bearing	
Bore d	Width B	BF Radius R	Cone	Cup	OD D	Width C	BF Radius r	Width T / T1	Brg Type
1.181 30.000	0.787 20.000	0.04 1.02	32206-B	-	2.441 62.000	0.669 17.000	0.04 1.02	0.837 21.250	TS
1.181 30.000	0.787 20.000	0.04 1.00	32206M	-	2.441 62.000	0.669 17.000	0.04 1.02	0.837 21.250	TS
1.181 29.987	0.813 20.638	0.05 1.27	15117	15245	2.441 62.000	0.563 14.288	0.05 1.27	0.750 19.050	TS
1.181 29.987	0.813 20.638	0.05 1.27	15117	15251D	2.500 63.500	1.438 36.512	0.03 0.76	1.813 46.038	TDO
1.181 30.000	0.984 25.000	0.04 1.02	33206	-	2.441 62.000	0.768 19.500	0.04 1.02	0.984 25.000	TS
1.181 30.000	1.063 27.000	0.06 1.52	32306	-	2.835 72.000	0.906 23.000	0.06 1.52	1.132 28.750	TS
1.181 30.000	1.094 27.783	0.05 1.27	JHM88540	JHM88513	2.835 72.000	0.906 23.020	0.13 3.30	1.156 29.370	TS
1.181 30.000	1.145 29.083	0.03 0.80	416	414A	3.484 88.500	0.875 22.225	0.13 3.30	1.063 26.987	TS
1.181 30.000	1.654 42.000	SPCL SPCL	513055	-	2.283 58.000	1.654 42.000		1.654 42.000	TDO
1.186 30.112	0.813 20.638	0.03 0.76	15116	15245	2.441 62.000	0.563 14.288	0.05 1.27	0.750 19.050	TS
1.186 30.112	0.813 20.638	0.03 0.76	15116	15251D	2.500 63.500	1.438 36.512	0.03 0.76	1.813 46.038	TDO
1.188 30.162	0.652 16.566	0.06 1.52	17119	17244	2.441 62.000	0.563 14.288	0.06 1.52	0.630 16.002	TS
1.188 30.162	0.652 16.566	0.06 1.52	17119	17244-B	2.441 62.000	0.563 14.288	0.06 1.52	0.208 5.270	TSF
1.188 30.162	0.652 16.566	0.06 1.52	17119	17245D	2.441 62.000	1.428 36.258	0.03 0.76	1.563 39.688	TDO
1.188 30.162	0.844 21.433	0.06 1.52	M86649	M86610	2.531 64.292	0.656 16.670	0.06 1.52	0.844 21.433	TS
1.188 30.162	0.875 22.225	0.09 2.30	M88043	M88010	2.688 68.262	0.688 17.462	0.06 1.50	0.875 22.225	TS
1.188 30.162	0.875 22.225	0.09 2.30	M88043	M88011	2.688 68.262	0.688 17.462	0.09 2.30	0.875 22.225	TS
1.188 30.162	0.875 22.225	0.09 2.30	M88043	M88012	2.688 68.262	0.688 17.462	0.03 0.80	0.875 22.225	TS
1.188 30.162	0.875 22.225	0.09 2.30	M88043	M88022	3.000 76.200	0.688 17.462	0.03 0.80	0.875 22.225	TS
1.188 30.163	0.998 25.357	0.09 2.29	2558	2523	2.750 69.850	0.750 19.050	0.05 1.27	0.938 23.812	TS
1.188 30.163	0.998 25.357	0.09 2.29	2558	2523D	2.750 69.850	2.250 57.150	0.03 0.76	2.625 66.675	TDO
1.190 30.226	0.771 19.583	0.03 0.76	14116	14274	2.717 69.012	0.625 15.875	0.13 3.30	0.781 19.845	TS

bearing
specification:
0010110111011100110101
0010110111011100110101

TIMKEN®

Tapered Roller Bearings

Bore Size Listing - Continued

Cone			Part Number		Cup			Bearing	
Bore d	Width B	BF Radius R	Cone	Cup	OD D	Width C	BF Radius r	Width T / T1	Brg Type
1.190	0.771	0.03	14116	14276	2.717	0.625	0.05	0.781	TS
30.226	19.583	0.76			69.012	15.875	1.27	19.845	
1.190	0.771	0.03	14116	14276-B	2.717	0.625	0.03	0.312	TSF
30.226	19.583	0.76			69.012	15.875	0.76	7.932	
1.190	0.771	0.03	14116	14276D	2.717	1.500	0.03	1.813	TDO
30.226	19.583	0.76			69.012	38.100	0.76	46.040	
1.190	0.771	0.03	14116	14283	2.838	0.725	0.09	0.881	TS
30.226	19.583	0.76			72.085	18.415	2.29	22.385	
1.190	0.813	0.03	15120	15245	2.441	0.563	0.05	0.750	TS
30.213	20.638	0.76			62.000	14.288	1.27	19.050	
1.190	0.813	0.03	15120	15251D	2.500	1.438	0.03	1.813	TDO
30.213	20.638	0.76			63.500	36.512	0.76	46.038	
1.190	0.813	0.06	15119	15245	2.441	0.563	0.05	0.750	TS
30.213	20.638	1.52			62.000	14.288	1.27	19.050	
1.190	0.813	0.06	15119	15251D	2.500	1.438	0.03	1.813	TDO
30.213	20.638	1.52			63.500	36.512	0.76	46.038	
1.190	0.813	0.14	15118	15245	2.441	0.563	0.05	0.750	TS
30.213	20.638	3.50			62.000	14.288	1.27	19.050	
1.190	0.813	0.14	15118	15251D	2.500	1.438	0.03	1.813	TDO
30.213	20.638	3.50			63.500	36.512	0.76	46.038	
1.219	0.844	0.06	M86648A	M86610	2.531	0.656	0.06	0.844	TS
30.955	21.433	1.52			64.292	16.670	1.52	21.433	
1.250	0.591	SPCL	513007	-	2.126	0.472	0.05	0.591	TS
37.750	15.000				54.000	12.000	1.30	15.000	
1.250	0.594	0.04	08125	08231	2.313	0.422	0.04	0.578	TS
31.750	15.080	1.02			58.738	10.716	1.02	14.684	
1.250	0.594	0.04	08125	08231-B	2.313	0.422	0.04	0.265	TSF
31.750	15.080	1.02			58.738	10.716	1.02	6.736	
1.250	0.594	0.04	08125	08231D	2.313	0.969	0.02	1.281	TDO
31.750	15.080	1.02			58.738	24.608	0.38	32.542	
1.250	0.660	0.03	LM67049A	LM67010	2.328	0.465	0.05	0.625	TS
31.750	16.764	0.76			59.131	11.811	1.27	15.875	
1.250	0.660	SPCL	LM67048	LM67010	2.328	0.465	0.05	0.625	TS
31.750	16.764				59.131	11.811	1.27	15.875	
1.250	0.750	SPCL	15123	15245	2.441	0.563	0.05	0.715	TS
31.750	19.050				62.000	14.288	1.27	18.161	
1.250	0.750	SPCL	15123	15251D	2.500	1.438	0.03	1.743	TDO
31.750	19.050				63.500	36.512	0.76	44.259	
1.250	0.771	0.03	14124	14276	2.717	0.625	0.05	0.781	TS
31.750	19.583	0.76			69.012	15.875	1.27	19.845	
1.250	0.771	0.03	14124	14276D	2.717	1.500	0.03	1.813	TDO
31.750	19.583	0.76			69.012	38.100	0.76	46.040	
1.250	0.771	0.14	14125A	14276	2.717	0.625	0.05	0.781	TS
31.750	19.583	3.50			69.012	15.875	1.27	19.845	

Tapered Roller Bearings

Bore Size Listing - Continued

Cone			Part Number		Cup			Bearing	
Bore d	Width B	BF Radius R	Cone	Cup	OD D	Width C	BF Radius r	Width T / T1	Brg Type
1.250	0.771	0.14	14125A	14276D	2.717	1.500	0.03	1.813	TDO
31.750	19.583	3.50			69.012	38.100	0.76	46.040	
1.250	0.813	0.03	15126	15245	2.441	0.563	0.05	0.750	TS
31.750	20.638	0.76			62.000	14.288	1.27	19.050	
1.250	0.813	0.03	15126	15251D	2.500	1.438	0.03	1.813	TDO
31.750	20.638	0.76			63.500	36.512	0.76	46.038	
1.250	0.813	0.14	15125	15245	2.441	0.563	0.05	0.750	TS
31.750	20.638	3.50			62.000	14.288	1.27	19.050	
1.250	0.813	0.14	15125	15250-B	2.500	0.625	0.05	0.344	TSF
31.750	20.638	3.50			63.500	15.875	1.27	8.730	
1.250	0.813	0.14	15125	15251D	2.500	1.438	0.03	1.813	TDO
31.750	20.638	3.50			63.500	36.512	0.76	46.038	
1.250	0.875	0.03	02476	02420	2.688	0.688	0.06	0.875	TS
31.750	22.225	0.76			68.262	17.462	1.52	22.225	
1.250	0.875	0.03	02876	02823D	3.000	1.500	0.03	1.875	TDO
31.750	22.225	0.76			76.200	38.100	0.76	47.625	
1.250	0.875	0.14	02475	02420	2.688	0.688	0.06	0.875	TS
31.750	22.225	3.50			68.262	17.462	1.52	22.225	
1.250	0.875	0.14	02475	02420-B	2.688	0.688	0.06	0.344	TSF
31.750	22.225	3.50			68.262	17.462	1.52	8.730	
1.250	0.875	0.14	02875	02823D	3.000	1.500	0.03	1.875	TDO
31.750	22.225	3.50			76.200	38.100	0.76	47.625	
1.250	0.938	0.03	2879	2820	2.875	0.688	0.13	0.875	TS
31.750	23.812	0.80			73.025	17.462	3.30	22.225	
1.250	0.938	0.14	2475	2420	2.688	0.688	0.06	0.875	TS
31.750	23.812	3.50			68.262	17.462	1.50	22.225	
1.250	0.948	0.06	43125	43312	3.125	0.688	0.06	1.000	TS
31.750	24.074	1.52			79.375	17.462	1.52	25.400	
1.250	0.948	0.06	43125	43319D	3.188	1.563	0.06	2.188	TDO
31.750	24.074	1.52			80.962	39.688	1.52	55.562	
1.250	0.948	0.06	43125	43319DC	3.188	1.563	0.06	2.188	TDO
31.750	24.074	1.52			80.962	39.687	1.52	55.562	
1.250	0.998	0.03	2580	2520	2.615	0.813	0.13	1.000	TS
31.750	25.357	0.76			66.421	20.638	3.30	25.400	
1.250	0.998	0.03	2580	2523	2.750	0.750	0.05	0.938	TS
31.750	25.357	0.76			69.850	19.050	1.27	23.812	
1.250	0.998	0.03	2580	2523-B	2.750	0.750	0.06	0.344	TSF
31.750	25.357	0.76			69.850	19.050	1.52	8.733	
1.250	0.998	0.03	2580	2523-S	2.750	0.750	0.06	0.938	TS
31.750	25.357	0.76			69.850	19.050	1.52	23.812	
1.250	0.998	0.03	2580	2523D	2.750	2.250	0.03	2.625	TDO
31.750	25.357	0.76			69.850	57.150	0.76	66.675	
1.250	0.998	0.14	2582	2520	2.615	0.813	0.13	1.000	TS
31.750	25.357	3.50			66.421	20.638	3.30	25.400	

bearing
specification:
0010110111011100110101
0010110111011100110101

TIMKEN®

Tapered Roller Bearings

Bore Size Listing - Continued

Cone			Part Number		Cup			Bearing	
Bore d	Width B	BF Radius R	Cone	Cup	OD D	Width C	BF Radius r	Width T / T1	Brg Type
1.250	0.998	0.14	2582	2523D	2.750	2.250	0.03	2.625	TDO
31.750	25.357	3.50			69.850	57.150	0.76	66.675	
1.250	1.010	0.06	2783	2729X	3.000	0.750	0.06	0.936	TS
31.750	25.654	1.50			76.200	19.050	1.50	23.774	
1.250	1.052	0.17	14123A	14272	2.717	0.563	0.13	1.031	TS
31.750	26.721	4.30			69.012	14.288	3.30	26.187	
1.250	1.052	0.17	14123A	14273	2.717	0.668	SPCL	1.042	TS
31.750	26.721	4.30			69.012	16.954		26.474	
1.250	1.052	0.17	14123A	14274	2.717	0.625	0.13	1.062	TS
31.750	26.721	4.30			69.012	15.875	3.30	26.982	
1.250	1.052	0.17	14123A	14274-S	2.965	0.625	0.13	1.062	TS
31.750	26.721	4.30			75.311	15.875	3.30	26.982	
1.250	1.052	0.17	14123A	14274A	2.715	0.625	0.13	1.062	TS
31.750	26.721	4.30			68.956	15.875	3.30	26.982	
1.250	1.052	0.17	14123A	14275A	2.750	0.625	0.06	1.062	TS
31.750	26.721	4.30			69.850	15.875	1.50	26.982	
1.250	1.052	0.17	14123A	14276	2.717	0.625	0.05	1.062	TS
31.750	26.721	4.30			69.012	15.875	1.30	26.982	
1.250	1.052	0.17	14123A	14277	2.717	0.725	0.09	1.162	TS
31.750	26.721	4.30			69.012	18.415	2.30	29.522	
1.250	1.052	0.17	14123A	14282	2.835	0.592	0.06	1.029	TS
31.750	26.721	4.30			71.996	15.032	1.50	26.139	
1.250	1.052	0.17	14123A	14283	2.838	0.725	0.09	1.162	TS
31.750	26.721	4.30			72.085	18.415	2.30	29.522	
1.250	1.052	0.17	14123A	14284	2.835	0.725	0.09	1.162	TS
31.750	26.721	4.30			71.996	18.415	2.30	29.522	
1.250	1.052	0.17	14123A	14299	3.063	0.625	0.05	1.062	TS
31.750	26.721	4.30			77.788	15.875	1.30	26.982	
1.250	1.063	0.06	23491	23420	2.688	0.875	0.06	1.063	TS
31.750	26.988	1.52			68.262	22.225	1.52	26.988	
1.250	1.094	0.05	HM88542	HM88510	2.875	0.906	0.13	1.156	TS
31.750	27.783	1.27			73.025	23.020	3.30	29.370	
1.250	1.094	0.05	HM88542	HM88511	2.875	0.906	0.03	1.156	TS
31.750	27.783	1.27			73.025	23.020	0.76	29.370	
1.250	1.094	0.05	HM88542	HM88512	2.906	0.906	0.13	1.156	TS
31.750	27.783	1.27			73.812	23.020	3.30	29.370	
1.250	1.125	0.03	HM89440	HM89410	3.000	0.906	0.13	1.156	TS
31.750	28.575	0.76			76.200	23.020	3.30	29.370	
1.250	1.172	0.05	3476	3420	3.125	0.938	0.13	1.156	TS
31.750	29.771	1.27			79.375	23.812	3.30	29.370	
1.250	1.181	0.03	3188	3120	2.859	0.938	0.13	1.188	TS
31.750	29.997	0.76			72.626	23.812	3.30	30.162	
1.250	1.181	0.14	3193	3120	2.859	0.938	0.13	1.188	TS
31.750	29.997	3.50			72.626	23.812	3.30	30.162	

Tapered Roller Bearings

Bore Size Listing - Continued

Cone			Part Number		Cup			Bearing	
Bore d	Width B	BF Radius R	Cone	Cup	OD D	Width C	BF Radius r	Width T / T1	Brg Type
1.259 31.979	2.559 65.000		513056	-	2.283 58.000	2.255 57.000		2.559 65.000	DRT
1.313 33.338	0.771 19.583	0.03 0.76	14131	14276	2.717 69.012	0.625 15.875	0.05 1.27	0.781 19.845	TS
1.313 33.338	0.771 19.583	0.03 0.76	14131	14276D	2.717 69.012	1.500 38.100	0.03 0.76	1.813 46.040	TDO
1.313 33.338	0.771 19.583	0.14 3.50	14130	14276	2.717 69.012	0.625 15.875	0.05 1.27	0.781 19.845	TS
1.313 33.338	0.771 19.583	0.14 3.50	14130	14276D	2.717 69.012	1.500 38.100	0.03 0.76	1.813 46.040	TDO
1.313 33.338	0.813 20.638	0.14 3.50	16131	16283	2.844 72.238	0.750 19.050	0.09 2.30	0.938 23.812	TS
1.313 33.338	0.813 20.638	0.14 3.50	M38545	M38510	2.625 66.675	0.656 16.670	0.09 2.29	0.813 20.638	TS
1.313 33.338	0.875 22.225	0.03 0.76	M88048	M88010	2.688 68.262	0.688 17.462	0.06 1.52	0.875 22.225	TS
1.313 33.338	0.875 22.225	0.22 5.50	M88047	M88010	2.688 68.262	0.688 17.462	0.06 1.50	0.875 22.225	TS
1.313 33.338	0.875 22.225	0.22 5.50	M88047	M88011	2.688 68.262	0.688 17.462	0.09 2.30	0.875 22.225	TS
1.313 33.338	0.875 22.225	0.22 5.50	M88047	M88012	2.688 68.262	0.688 17.462	0.03 0.80	0.875 22.225	TS
1.313 33.338	0.875 22.225	0.22 5.50	M88047	M88022	3.000 76.200	0.688 17.462	0.03 0.80	0.875 22.225	TS
1.313 33.338	0.933 23.698	0.08 2.03	44131	44348	3.484 88.500	0.688 17.462	0.06 1.52	1.000 25.400	TS
1.313 33.338	0.933 23.698	0.08 2.03	44131	44363D	3.625 92.075	1.563 39.688	0.06 1.52	2.188 55.562	TDO
1.313 33.338	0.948 24.074	0.08 2.03	43132	43312	3.125 79.375	0.688 17.462	0.06 1.52	1.000 25.400	TS
1.313 33.338	0.948 24.074	0.08 2.03	43132	43319D	3.188 80.962	1.563 39.688	0.06 1.52	2.188 55.562	TDO
1.313 33.338	0.948 24.074	0.08 2.03	43132	43319DC	3.188 80.962	1.563 39.687	0.06 1.52	2.188 55.562	TDO
1.313 33.338	0.948 24.074	0.14 3.50	43131	43312	3.125 79.375	0.688 17.462	0.06 1.52	1.000 25.400	TS
1.313 33.338	0.948 24.074	0.14 3.50	43131	43319D	3.188 80.962	1.563 39.688	0.06 1.52	2.188 55.562	TDO
1.313 33.338	0.948 24.074	0.14 3.50	43131	43319DC	3.188 80.962	1.563 39.687	0.06 1.52	2.188 55.562	TDO
1.313 33.338	0.998 25.357	0.03 0.76	2581	2523	2.750 69.850	0.750 19.050	0.05 1.27	0.938 23.812	TS
1.313 33.338	0.998 25.357	0.03 0.76	2581	2523D	2.750 69.850	2.250 57.150	0.03 0.76	2.625 66.675	TDO

bearing
specification:
0010110111011100110101
0010110111011100110101

TIMKEN®

Tapered Roller Bearings

Bore Size Listing - Continued

Cone			Part Number		Cup			Bearing	
Bore d	Width B	BF Radius R	Cone	Cup	OD D	Width C	BF Radius r	Width T / T1	Brg Type
1.313 33.338	0.998 25.357	0.14 3.50	2585	2523	2.750 69.850	0.750 19.050	0.05 1.27	0.938 23.812	TS
1.313 33.338	0.998 25.357	0.14 3.50	2585	2523-B	2.750 69.850	0.750 19.050	0.06 1.52	0.344 8.733	TSF
1.313 33.338	0.998 25.357	0.14 3.50	2585	2523D	2.750 69.850	2.250 57.150	0.03 0.76	2.625 66.675	TDO
1.313 33.338	1.010 25.654	0.06 1.52	2790	2720	3.000 76.200	0.750 19.050	0.13 3.30	0.938 23.812	TS
1.313 33.338	1.010 25.654	0.06 1.50	2790	2729X	3.000 76.200	0.750 19.050	0.06 1.50	0.936 23.774	TS
1.313 33.338	1.010 25.654	0.14 3.50	2785	2720	3.000 76.200	0.750 19.050	0.13 3.30	0.938 23.812	TS
1.313 33.338	1.010 25.654	0.14 3.50	2785	2729X	3.000 76.200	0.750 19.050	0.06 1.50	0.936 23.774	TS
1.313 33.338	1.010 25.654	0.14 3.50	2785W	2729X	3.000 76.200	0.750 19.050	0.06 1.50	0.936 23.774	TS
1.313 33.338	1.094 27.783	0.03 0.76	HM88547	HM88510	2.875 73.025	0.906 23.020	0.13 3.30	1.156 29.370	TS
1.313 33.338	1.125 28.575	0.03 0.76	31590	31520	3.000 76.200	0.938 23.812	0.13 3.30	1.156 29.370	TS
1.313 33.338	1.125 28.575	0.03 0.76	HM89443	HM89410	3.000 76.200	0.906 23.020	0.13 3.30	1.156 29.370	TS
1.313 33.338	1.125 28.575	0.15 3.81	HM89444	HM89410	3.000 76.200	0.906 23.020	0.13 3.30	1.156 29.370	TS
1.313 33.338	1.181 29.997	0.14 3.50	3196	3120	2.859 72.626	0.938 23.812	0.13 3.30	1.188 30.162	TS
1.313 33.338	1.181 29.997	0.14 3.50	3196	3120-B	2.859 72.626	0.938 23.812	0.13 3.30	0.438 11.112	TSF
1.375 34.925	0.720 18.288	0.03 0.76	LM48548A	LM48510	2.563 65.088	0.550 13.970	0.05 1.27	0.710 18.034	TS
1.375 34.925	0.720 18.288	SPCL	LM48548	LM48510	2.563 65.088	0.550 13.970	0.05 1.27	0.710 18.034	TS
1.375 34.925	0.771 19.583	0.06 1.52	14137A	14276	2.717 69.012	0.625 15.875	0.05 1.27	0.781 19.845	TS
1.375 34.925	0.771 19.583	0.06 1.52	14137A	14276D	2.717 69.012	1.500 38.100	0.03 0.76	1.813 46.040	TDO
1.375 34.925	0.771 19.583	0.14 3.50	14138A	14276	2.717 69.012	0.625 15.875	0.05 1.27	0.781 19.845	TS
1.375 34.925	0.771 19.583	0.14 3.50	14138A	14276D	2.717 69.012	1.500 38.100	0.03 0.76	1.813 46.040	TDO
1.375 34.925	0.813 20.638	0.14 3.50	14585	14525	2.688 68.262	0.625 15.875	0.09 2.29	0.813 20.638	TS
1.375 34.925	0.813 20.638	0.14 3.50	16137	16283	2.844 72.238	0.750 19.050	0.09 2.30	0.938 23.812	TS

Tapered Roller Bearings

Bore Size Listing - Continued

Bore d	Cone		Part Number		OD D	Cup		Bearing	
	Width B	BF Radius R	Cone	Cup		Width C	BF Radius r	Width T / T1	Brg Type
1.375	0.813	0.14	16137	16284	2.844	0.625	0.05	0.813	TS
34.925	20.638	3.50			72.238	15.875	1.27	20.638	
1.375	0.813	0.14	M38549	M38510	2.625	0.656	0.09	0.813	TS
34.925	20.638	3.50			66.675	16.670	2.29	20.638	
1.375	0.875	0.03	02878	02820	2.875	0.688	0.13	0.875	TS
34.925	22.225	0.76			73.025	17.462	3.30	22.225	
1.375	0.875	0.03	02878	02823D	3.000	1.500	0.03	1.875	TDO
34.925	22.225	0.76			76.200	38.100	0.76	47.625	
1.375	0.875	0.14	02877	02823D	3.000	1.500	0.03	1.875	TDO
34.925	22.225	3.50			76.200	38.100	0.76	47.625	
1.375	0.938	0.03	2878	2820	2.875	0.688	0.13	0.875	TS
34.925	23.812	0.80			73.025	17.462	3.30	22.225	
1.375	0.969	0.06	25877	25820	2.875	0.750	0.09	0.938	TS
34.925	24.608	1.52			73.025	19.050	2.29	23.812	
1.375	0.969	0.06	25877	25821	2.875	0.750	0.03	0.938	TS
34.925	24.608	1.52			73.025	19.050	0.76	23.812	
1.375	0.969	0.14	25878	25821	2.875	0.750	0.03	0.938	TS
34.925	24.608	3.50			73.025	19.050	0.76	23.812	
1.375	1.000	0.09	HM88649	HM88610	2.844	0.781	0.09	1.000	TS
34.925	25.400	2.29			72.233	19.842	2.29	25.400	
1.375	1.010	0.03	2793	2720	3.000	0.750	0.13	0.938	TS
34.925	25.654	0.76			76.200	19.050	3.30	23.812	
1.375	1.010	0.03	2793	2729	3.000	0.750	0.03	0.938	TS
34.925	25.654	0.76			76.200	19.050	0.76	23.812	
1.375	1.010	0.03	2793	2729X	3.000	0.750	0.06	0.936	TS
34.925	25.654	0.80			76.200	19.050	1.50	23.774	
1.375	1.010	0.03	2793	2735X	2.875	0.750	0.03	0.938	TS
34.925	25.654	0.76			73.025	19.050	0.76	23.812	
1.375	1.010	0.14	2796	2720	3.000	0.750	0.13	0.936	TS
34.925	25.654	3.50			76.200	19.050	3.30	23.774	
1.375	1.010	0.14	2796	2729X	3.000	0.750	0.06	0.936	TS
34.925	25.654	3.50			76.200	19.050	1.50	23.774	
1.375	1.010	0.20	2786	2720	3.000	0.750	0.13	0.938	TS
34.925	25.654	5.00			76.200	19.050	3.30	23.812	
1.375	1.010	0.20	2786	2729X	3.000	0.750	0.06	0.936	TS
34.925	25.654	5.00			76.200	19.050	1.50	23.774	
1.375	1.052	0.03	14136A	14272	2.717	0.563	0.13	1.031	TS
34.925	26.721	0.80			69.012	14.288	3.30	26.187	
1.375	1.052	0.03	14136A	14273	2.717	0.668	SPCL	1.042	TS
34.925	26.721	0.80			69.012	16.954		26.474	
1.375	1.052	0.03	14136A	14274	2.717	0.625	0.13	1.062	TS
34.925	26.721	0.80			69.012	15.875	3.30	26.982	
1.375	1.052	0.03	14136A	14274-S	2.965	0.625	0.13	1.062	TS
34.925	26.721	0.80			75.311	15.875	3.30	26.982	

bearing
specification:
0010110111011100110101
0010110111011100110101

TIMKEN®

Tapered Roller Bearings

Bore Size Listing - Continued

Cone			Part Number		Cup			Bearing	
Bore d	Width B	BF Radius R	Cone	Cup	OD D	Width C	BF Radius r	Width T / T1	Brg Type
1.375	1.052	0.03	14136A	14274A	2.715	0.625	0.13	1.062	TS
34.925	26.721	0.80			68.956	15.875	3.30	26.982	
1.375	1.052	0.03	14136A	14275A	2.750	0.625	0.06	1.062	TS
34.925	26.721	0.80			69.850	15.875	1.50	26.982	
1.375	1.052	0.03	14136A	14276	2.717	0.625	0.05	1.062	TS
34.925	26.721	0.80			69.012	15.875	1.30	26.982	
1.375	1.052	0.03	14136A	14277	2.717	0.725	0.09	1.162	TS
34.925	26.721	0.80			69.012	18.415	2.30	29.522	
1.375	1.052	0.03	14136A	14282	2.835	0.592	0.06	1.029	TS
34.925	26.721	0.80			71.996	15.032	1.50	26.139	
1.375	1.052	0.03	14136A	14283	2.838	0.725	0.09	1.162	TS
34.925	26.721	0.80			72.085	18.415	2.30	29.522	
1.375	1.052	0.03	14136A	14284	2.835	0.725	0.09	1.162	TS
34.925	26.721	0.80			71.996	18.415	2.30	29.522	
1.375	1.052	0.03	14136A	14299	3.063	0.625	0.05	1.062	TS
34.925	26.721	0.80			77.788	15.875	1.30	26.982	
1.375	1.052	0.03	14136AA	14272	2.717	0.563	0.13	1.031	TS
34.925	26.721	0.80			69.012	14.288	3.30	26.187	
1.375	1.052	0.03	14136AA	14273	2.717	0.668	SPCL	1.042	TS
34.925	26.721	0.80			69.012	16.954		26.474	
1.375	1.052	0.03	14136AA	14274	2.717	0.625	0.13	1.062	TS
34.925	26.721	0.80			69.012	15.875	3.30	26.982	
1.375	1.052	0.03	14136AA	14274-S	2.965	0.625	0.13	1.062	TS
34.925	26.721	0.80			75.311	15.875	3.30	26.982	
1.375	1.052	0.03	14136AA	14274A	2.715	0.625	0.13	1.062	TS
34.925	26.721	0.80			68.956	15.875	3.30	26.982	
1.375	1.052	0.03	14136AA	14275A	2.750	0.625	0.06	1.062	TS
34.925	26.721	0.80			69.850	15.875	1.50	26.982	
1.375	1.052	0.03	14136AA	14276	2.717	0.625	0.05	1.062	TS
34.925	26.721	0.80			69.012	15.875	1.30	26.982	
1.375	1.052	0.03	14136AA	14277	2.717	0.725	0.09	1.162	TS
34.925	26.721	0.80			69.012	18.415	2.30	29.522	
1.375	1.052	0.03	14136AA	14282	2.835	0.592	0.06	1.029	TS
34.925	26.721	0.80			71.996	15.032	1.50	26.139	
1.375	1.052	0.03	14136AA	14283	2.838	0.725	0.09	1.162	TS
34.925	26.721	0.80			72.085	18.415	2.30	29.522	
1.375	1.052	0.03	14136AA	14284	2.835	0.725	0.09	1.162	TS
34.925	26.721	0.80			71.996	18.415	2.30	29.522	
1.375	1.052	0.03	14136AA	14299	3.063	0.625	0.05	1.062	TS
34.925	26.721	0.80			77.788	15.875	1.30	26.982	
1.375	1.062	0.14	23690	23620	2.875	0.875	0.06	1.063	TS
34.925	26.975	3.50			73.025	22.225	1.52	26.988	
1.375	1.125	0.06	31594	31520	3.000	0.938	0.13	1.156	TS
34.925	28.575	1.52			76.200	23.812	3.30	29.370	

Tapered Roller Bearings

Bore Size Listing - Continued

Cone			Part Number		Cup			Bearing	
Bore d	Width B	BF Radius R	Cone	Cup	OD D	Width C	BF Radius r	Width T / T1	Brg Type
1.375	1.125	0.06	31594	31520-B	3.000	0.938	0.13	0.406	TSF
34.925	28.575	1.52			76.200	23.812	3.30	10.320	
1.375	1.125	0.06	31594	31521	3.000	0.938	0.05	1.156	TS
34.925	28.575	1.52			76.200	23.812	1.27	29.370	
1.375	1.125	0.14	31593	31520	3.000	0.938	0.13	1.156	TS
34.925	28.575	3.50			76.200	23.812	3.30	29.370	
1.375	1.125	0.14	HM89446	HM89410	3.000	0.906	0.13	1.156	TS
34.925	28.575	3.50			76.200	23.020	3.30	29.370	
1.375	1.145	0.03	417	414A	3.484	0.875	0.13	1.063	TS
34.925	29.083	0.80			88.500	22.225	3.30	26.987	
1.375	1.172	0.14	3478	3420	3.125	0.938	0.13	1.156	TS
34.925	29.771	3.50			79.375	23.812	3.30	29.370	
1.375	1.177	0.03	449	432	3.750	0.875	0.09	1.094	TS
34.925	29.900	0.76			95.250	22.225	2.29	27.783	
1.375	1.177	0.03	449	432D	3.750	2.000	0.03	2.438	TDO
34.925	29.900	0.76			95.250	50.800	0.76	61.915	
1.375	1.188	0.14	3872	3820	3.375	0.938	0.13	1.188	TS
34.925	30.162	3.50			85.725	23.812	3.30	30.162	
1.375	1.197	0.14	3379	3320	3.156	0.938	0.13	1.156	TS
34.925	30.391	3.50			80.167	23.812	3.30	29.367	
1.377	0.650	0.06	19138	19283	2.835	0.563	0.06	0.670	TS
34.976	16.520	1.52			72.000	14.288	1.52	17.018	
1.377	0.771	0.05	14139	14276	2.717	0.625	0.05	0.781	TS
34.976	19.583	1.27			69.012	15.875	1.27	19.845	
1.377	0.771	0.05	14139	14276-B	2.717	0.625	0.03	0.312	TSF
34.976	19.583	1.27			69.012	15.875	0.76	7.932	
1.377	0.771	0.05	14139	14276D	2.717	1.500	0.03	1.813	TDO
34.976	19.583	1.27			69.012	38.100	0.76	46.040	
1.377	1.010	0.06	2775	2729X	3.000	0.750	0.06	0.936	TS
34.976	25.654	1.50			76.200	19.050	1.50	23.774	
1.378	0.660	SPCL	L68149	L68111	2.361	0.470	0.05	0.625	TS
34.987	16.764				59.975	11.938	1.27	15.875	
1.378	0.669		513185	-	2.441	0.535			TS
35.000	17.000				62.000	13.600			
1.378	0.669	0.06	30207	-	2.835	0.591	0.06	0.719	TS
35.000	17.000	1.50			72.000	15.000	1.50	18.250	
1.378	0.669	0.06	30207M	-	2.835	0.591	0.06	0.719	TS
35.000	17.000	1.50			72.000	15.000	1.50	18.250	
1.378	0.669	0.06	LM78349A	LM78310A	2.440	0.535	0.06	0.658	TS
34.987	17.000	1.52			61.975	13.600	1.52	16.700	
1.378	0.669	0.14	LM78349	LM78310A	2.440	0.535	0.06	0.658	TS
34.987	17.000	3.50			61.975	13.600	1.52	16.700	
1.378	0.669	0.14	LM78349	LM78310C	2.440	0.591	0.06	0.709	TS
34.987	17.000	3.50			61.975	15.000	1.52	18.000	

bearing
specification:
0010110111011100110101
0010110111011100110101



Tapered Roller Bearings

Bore Size Listing - Continued

Cone			Part Number		Cup			Bearing	
Bore d	Width B	BF Radius R	Cone	Cup	OD D	Width C	BF Radius r	Width T / T1	Brg Type
1.378	0.709	0.04	32007X	-	2.441	0.551	0.04	0.709	TS
35.000	18.000	1.02			62.000	14.000	1.02	18.000	
1.378	0.709	0.04	32007XM	-	2.441	0.551	0.04	0.709	TS
35.000	18.000	1.00			62.000	14.000	1.00	18.000	
1.378	0.727	0.08	JL68145	L68110	2.328	0.470	0.05	0.625	TS
35.000	18.460	2.03			59.131	11.938	1.27	15.880	
1.378	0.827	0.08	30307	-	3.150	0.709	0.06	0.896	TS
35.000	21.000	2.00			80.000	18.000	1.50	22.751	
1.378	0.827	0.08	30307M	-	3.150	0.709	0.06	0.896	TS
35.000	21.000	2.00			80.000	18.000	1.50	22.750	
1.378	0.882	0.03	339	332	3.150	0.702	0.05	0.827	TS
35.000	22.403	0.76			80.000	17.826	1.27	21.000	
1.378	0.906	0.06	32207	-	2.835	0.748	0.06	0.955	TS
35.000	23.000	1.50			72.000	19.000	1.50	24.249	
1.378	0.906	0.06	32207M	-	2.835	0.748	0.06	0.955	TS
35.000	23.000	1.50			72.000	19.000	1.50	24.250	
1.378	0.925	0.08	JS-3549A	JS-3510	2.756	0.748	0.06	0.995	TS
35.000	23.500	2.03			70.000	19.000	1.52	25.270	
1.378	1.000	0.03	26883	26822	3.125	0.750	0.03	0.938	TS
35.000	25.400	0.76			79.375	19.050	0.76	23.812	
1.378	1.102	0.06	33207	-	2.835	0.866	0.06	1.102	TS
35.000	28.000	1.52			72.000	22.000	1.52	28.000	
1.378	1.145	0.03	421	414A	3.484	0.875	0.13	1.063	TS
35.000	29.083	0.80			88.500	22.225	3.30	26.987	
1.378	1.221	0.08	32307	-	3.150	0.984	0.06	1.289	TS
35.000	31.000	2.03			80.000	25.000	1.52	32.750	
1.406	1.000	0.14	HM88648	HM88610	2.844	0.781	0.09	1.000	TS
35.717	25.400	3.50			72.233	19.842	2.29	25.400	
1.406	1.000	0.14	HM88648	HM88611AS	2.859	0.781	0.13	1.000	TS
35.717	25.400	3.50			72.626	19.842	3.30	25.400	
1.406	1.010	0.06	2791A	2729X	3.000	0.750	0.06	0.936	TS
35.707	25.654	1.50			76.200	19.050	1.50	23.774	
1.418	1.658	0.13	513245	-	2.520	1.654	0.06	1.658	TDO
36.017	42.101	3.40			36.017	42.101	3.40	42.101	
1.437	0.969	0.06	25880	25821	2.875	0.750	0.03	0.938	TS
36.487	24.608	1.52			73.025	19.050	0.76	23.812	
1.437	1.010	0.06	2780	2720	3.000	0.750	0.13	0.938	TS
36.487	25.654	1.52			76.200	19.050	3.30	23.812	
1.437	1.010	0.06	2780	2729X	3.000	0.750	0.06	0.936	TS
36.487	25.654	1.50			76.200	19.050	1.50	23.774	
1.437	1.010	0.14	2794	2720	3.000	0.750	0.13	0.938	TS
36.487	25.654	3.50			76.200	19.050	3.30	23.812	
1.437	1.010	0.14	2794	2729X	3.000	0.750	0.06	0.936	TS
36.487	25.654	3.50			76.200	19.050	1.50	23.774	

Tapered Roller Bearings

Bore Size Listing - Continued

Bore d	Cone		Part Number		OD D	Cup		Bearing	
	Width B	BF Radius R	Cone	Cup		Width C	BF Radius r	Width T / T1	Brg Type
1.438 36.512	0.813 20.638	0.14 3.50	16143	16283	2.844 72.238	0.750 19.050	0.09 2.30	0.938 23.812	TS
1.438 36.512	0.813 20.638	0.14 3.50	16143	16284	2.844 72.238	0.625 15.875	0.05 1.27	0.813 20.638	TS
1.438 36.512	0.933 23.698	0.09 2.29	44143	44348	3.484 88.500	0.688 17.462	0.06 1.52	1.000 25.400	TS
1.438 36.512	0.933 23.698	0.09 2.29	44143	44363D	3.625 92.075	1.563 39.688	0.06 1.52	2.188 55.562	TDO
1.438 36.512	1.000 25.400	0.03 0.76	26877	26822	3.125 79.375	0.750 19.050	0.03 0.76	0.938 23.812	TS
1.438 36.512	1.000 25.400	0.14 3.50	25570	25520	3.265 82.931	0.750 19.050	0.03 0.76	0.938 23.812	TS
1.438 36.512	1.000 25.400	0.14 3.50	25570	25520D	3.265 82.931	1.875 47.625	0.03 0.76	2.250 57.150	TDO
1.438 36.512	1.125 28.575	0.03 0.76	HM89448	HM89410	3.000 76.200	0.906 23.020	0.13 3.30	1.156 29.370	TS
1.438 36.512	1.125 28.575	0.14 3.50	31597	31520	3.000 76.200	0.938 23.812	0.13 3.30	1.156 29.370	TS
1.438 36.512	1.125 28.575	0.14 3.50	31597	31520-B	3.000 76.200	0.938 23.812	0.13 3.30	0.406 10.320	TSF
1.438 36.512	1.125 28.575	0.14 3.50	HM89449	HM89410	3.000 76.200	0.906 23.020	0.13 3.30	1.156 29.370	TS
1.438 36.512	1.125 28.575	0.14 3.50	HM89449	HM89411	3.000 76.200	0.906 23.020	0.03 0.76	1.156 29.370	TS
1.438 36.512	1.135 28.829	0.14 3.50	HM89249	HM89210	3.125 79.375	0.892 22.664	0.13 3.30	1.156 29.370	TS
1.438 36.512	1.172 29.771	0.03 0.76	3479	3420	3.125 79.375	0.938 23.812	0.13 3.30	1.156 29.370	TS
1.438 36.512	1.188 30.162	0.03 0.76	3878	3820	3.375 85.725	0.938 23.812	0.13 3.30	1.188 30.162	TS
1.438 36.512	1.500 38.100	0.03 0.76	19145D	19268	2.688 68.262	0.469 11.908	0.06 1.52	1.449 36.810	TDI
1.438 36.512	1.500 38.100	0.03 0.76	19145D	19281	2.813 71.438	0.469 11.908	0.04 1.02	1.449 36.810	TDI
1.438 36.512	1.500 38.100	0.03 0.76	19145D	19283	2.835 72.000	0.563 14.288	0.06 1.52	1.539 39.096	TDI
1.496 38.000			517005	-	2.677 68.000			1.457 37.000	TDO
1.496 38.000	0.669 17.000	0.13 3.30	JL69348	JL69310	2.480 63.000	0.532 13.500	0.05 1.27	0.669 17.000	TS
1.496 38.000	0.669 17.000	SPCL	JL69349	JL69310	2.480 63.000	0.532 13.500	0.05 1.27	0.669 17.000	TS
1.496 38.000	0.748 19.000	SPCL	JL69345	JL69310	2.480 63.000	0.532 13.500	0.05 1.27	0.669 17.000	TS

bearing
specification:
0010110111011100110101
0010110111011100110101

TIMKEN

Tapered Roller Bearings

Bore Size Listing - Continued

Cone			Part Number		Cup			Bearing	
Bore d	Width B	BF Radius R	Cone	Cup	OD D	Width C	BF Radius r	Width T / T1	Brg Type
1.496 38.000	1.457 37.000	0.02 0.50	517006	-	2.520 64.000	1.457 37.000	0.12 3.00	1.457 37.000	TDO
1.496 38.000	1.693 43.000		513244	-	2.992 76.000	1.693 43.000		1.693 43.000	TDO
1.496 37.996	1.887 47.940	0.16 3.99	513248	-	2.559 64.994	2.045 51.938	0.06 1.50	2.045 51.938	TDO
1.500 38.100	0.469 11.908	0.06 1.52	13889	13830	2.500 63.500	0.375 9.525	0.03 0.76	0.500 12.700	TS
1.500 38.100	0.469 11.908	0.06 1.52	13889	13836	2.563 65.088	0.375 9.525	0.03 0.76	0.500 12.700	TS
1.500 38.100	0.650 16.520	0.06 1.52	19150	19268	2.688 68.262	0.469 11.908	0.06 1.52	0.625 15.875	TS
1.500 38.100	0.650 16.520	0.06 1.52	19150	19268-B	2.688 68.262	0.469 11.908	0.06 1.52	0.297 7.539	TSF
1.500 38.100	0.650 16.520	0.06 1.52	19150	19281	2.813 71.438	0.469 11.908	0.04 1.02	0.625 15.875	TS
1.500 38.100	0.650 16.520	0.06 1.52	19150	19283	2.835 72.000	0.563 14.288	0.06 1.52	0.670 17.018	TS
1.500 38.100	0.650 16.520	0.06 1.52	19150	19283-B	2.835 72.000	0.563 14.288	0.06 1.52	0.248 6.287	TSF
1.500 38.100	0.720 18.288	0.09 2.29	LM29749	LM29710	2.563 65.088	0.550 13.970	0.05 1.27	0.710 18.034	TS
1.500 38.100	0.720 18.288	0.09 2.29	LM29749	LM29711	2.563 65.088	0.620 15.748	0.05 1.27	0.780 19.812	TS
1.500 38.100	0.720 18.288	SPCL	LM29748	LM29710	2.563 65.088	0.550 13.970	0.05 1.27	0.710 18.034	TS
1.500 38.100	0.750 19.050	0.08 2.03	13687	13620	2.717 69.012	0.594 15.083	0.03 0.76	0.750 19.050	TS
1.500 38.100	0.750 19.050	0.08 2.03	13687	13621	2.717 69.012	0.594 15.083	0.09 2.29	0.750 19.050	TS
1.500 38.100	0.750 19.050	0.08 2.03	13687	13621D	2.717 69.012	1.500 38.100	0.03 0.76	1.812 46.035	TDO
1.500 38.100	0.750 19.050	0.14 3.50	13685	13621	2.717 69.012	0.594 15.083	0.09 2.29	0.750 19.050	TS
1.500 38.100	0.750 19.050	0.14 3.50	13685	13621D	2.717 69.012	1.500 38.100	0.03 0.76	1.812 46.035	TDO
1.500 38.100	0.813 20.638	0.09 2.30	16151	16283	2.844 72.238	0.750 19.050	0.09 2.30	0.938 23.812	TS
1.500 38.100	0.813 20.638	0.14 3.50	16150	16282	2.835 72.000	0.561 14.237	0.06 1.52	0.748 19.000	TS
1.500 38.100	0.813 20.638	0.14 3.50	16150	16283	2.844 72.238	0.750 19.050	0.09 2.30	0.938 23.812	TS
1.500 38.100	0.813 20.638	0.14 3.50	16150	16284	2.844 72.238	0.625 15.875	0.05 1.27	0.813 20.638	TS

Tapered Roller Bearings

Bore Size Listing - Continued

Cone			Part Number		Cup			Bearing	
Bore d	Width B	BF Radius R	Cone	Cup	OD D	Width C	BF Radius r	Width T / T1	Brg Type
1.500 38.100	0.813 20.638	0.14 3.50	16150	16284-B	2.844 72.238	0.625 15.875	0.03 0.76	0.344 8.733	TSF
1.500 38.100	0.824 20.940	0.06 1.52	28150	28300	3.000 76.200	0.611 15.507	0.05 1.27	0.813 20.638	TS
1.500 38.100	0.824 20.940	0.06 1.52	28150	28315	3.150 80.000	0.625 15.875	0.06 1.52	0.827 21.006	TS
1.500 38.100	0.824 20.940	0.06 1.52	28150	28318D	3.151 80.035	1.375 34.925	0.03 0.76	1.813 46.040	TDO
1.500 38.100	0.933 23.698	0.03 0.76	27880	27820	3.151 80.035	0.729 18.512	0.06 1.52	0.969 24.608	TS
1.500 38.100	0.933 23.698	0.03 0.76	27880	27820D	3.151 80.035	1.770 44.958	0.03 0.76	2.250 57.150	TDO
1.500 38.100	0.933 23.698	0.09 2.29	44150	44348	3.484 88.500	0.688 17.462	0.06 1.52	1.000 25.400	TS
1.500 38.100	0.933 23.698	0.09 2.29	44150	44363D	3.625 92.075	1.563 39.688	0.06 1.52	2.188 55.562	TDO
1.500 38.100	0.933 23.698	0.14 3.50	27881	27820	3.151 80.035	0.729 18.512	0.06 1.52	0.969 24.608	TS
1.500 38.100	0.933 23.698	0.14 3.50	27881	27820D	3.151 80.035	1.770 44.958	0.03 0.76	2.250 57.150	TDO
1.500 38.100	1.000 25.400	0.03 0.76	25572	25520	3.265 82.931	0.750 19.050	0.03 0.76	0.938 23.812	TS
1.500 38.100	1.000 25.400	0.03 0.76	25572	25520D	3.265 82.931	1.875 47.625	0.03 0.76	2.250 57.150	TDO
1.500 38.100	1.000 25.400	0.03 0.76	26878	26822	3.125 79.375	0.750 19.050	0.03 0.76	0.938 23.812	TS
1.500 38.100	1.010 25.654	0.06 1.52	2788A	2720	3.000 76.200	0.750 19.050	0.13 3.30	0.938 23.812	TS
1.500 38.100	1.010 25.654	0.06 1.50	2788A	2729X	3.000 76.200	0.750 19.050	0.06 1.50	0.936 23.774	TS
1.500 38.100	1.010 25.654	0.14 3.50	2788	2720	3.000 76.200	0.750 19.050	0.13 3.30	0.938 23.812	TS
1.500 38.100	1.010 25.654	0.14 3.50	2788	2729X	3.000 76.200	0.750 19.050	0.06 1.50	0.938 23.812	TS
1.500 38.100	1.010 25.654	0.14 3.50	2788W	2729X	3.000 76.200	0.750 19.050	0.06 1.50	0.936 23.774	TS
1.500 38.100	1.010 25.654	0.14 3.50	2799W	2729X	3.000 76.200	0.750 19.050	0.06 1.50	0.936 23.774	TS
1.500 38.100	1.010 25.654	0.17 4.32	2776	2720	3.000 76.200	0.750 19.050	0.13 3.30	0.938 23.812	TS
1.500 38.100	1.010 25.654	0.17 4.30	2776	2729X	3.000 76.200	0.750 19.050	0.06 1.50	0.936 23.774	TS
1.500 38.100	1.010 25.654	0.22 5.50	2777	2720	3.000 76.200	0.750 19.050	0.13 3.30	0.938 23.812	TS

bearing
specification:
0010110111011100110101
0010110111011100110101

TIMKEN

Tapered Roller Bearings

Bore Size Listing - Continued

Cone			Part Number		Cup			Bearing	
Bore d	Width B	BF Radius R	Cone	Cup	OD D	Width C	BF Radius r	Width T / T1	Brg Type
1.500	1.010	0.22	2777	2729X	3.000	0.750	0.06	0.936	TS
38.100	25.654	5.50			76.200	19.050	1.50	23.774	
1.500	1.031	0.06	13686	13620	2.717	0.594	0.03	1.031	TS
38.100	26.195	1.50			69.012	15.083	0.80	26.195	
1.500	1.031	0.06	13686	13621	2.717	0.594	0.09	1.031	TS
38.100	26.195	1.50			69.012	15.083	2.30	26.195	
1.500	1.031	0.06	13686	13621A	2.717	0.564	0.09	1.001	TS
38.100	26.195	1.50			69.012	14.321	2.30	25.433	
1.500	1.031	0.06	13686	13623X	2.717	0.727	0.02	1.164	TS
38.100	26.195	1.50			69.012	18.463	0.40	29.576	
1.500	1.031	0.06	13686	13624	2.755	0.710	0.06	1.147	TS
38.100	26.195	1.50			69.969	18.029	1.50	29.141	
1.500	1.114	0.06	53150	53375	3.750	0.813	0.03	1.219	TS
38.100	28.301	1.52			95.250	20.638	0.76	30.958	
1.500	1.125	0.03	HM801346	HM801310	3.250	0.906	0.13	1.156	TS
38.100	28.575	0.76			82.550	23.020	3.30	29.370	
1.500	1.125	0.09	HM801346X	HM801310	3.250	0.906	0.13	1.156	TS
38.100	28.575	2.29			82.550	23.020	3.30	29.370	
1.500	1.125	0.14	33880	33821	3.750	0.875	0.09	1.094	TS
38.100	28.575	3.50			95.250	22.225	2.29	27.783	
1.500	1.125	0.14	33880	33821D	3.750	2.062	0.03	2.500	TDO
38.100	28.575	3.50			95.250	52.385	0.76	63.500	
1.500	1.145	0.03	415	414A	3.484	0.875	0.13	1.063	TS
38.100	29.083	0.80			88.500	22.225	3.30	26.987	
1.500	1.145	0.14	418	414	3.484	0.875	0.06	1.063	TS
38.100	29.083	3.50			88.500	22.225	1.52	26.988	
1.500	1.145	0.14	418	414A	3.484	0.875	0.13	1.063	TS
38.100	29.083	3.50			88.500	22.225	3.30	26.987	
1.500	1.172	0.14	3490	3420	3.125	0.938	0.13	1.156	TS
38.100	29.771	3.50			79.375	23.812	3.30	29.370	
1.500	1.177	0.03	440	432	3.750	0.875	0.09	1.094	TS
38.100	29.900	0.76			95.250	22.225	2.29	27.783	
1.500	1.177	0.03	440	432D	3.750	2.000	0.03	2.438	TDO
38.100	29.900	0.76			95.250	50.800	0.76	61.915	
1.500	1.188	0.03	3875	3820	3.375	0.938	0.13	1.188	TS
38.100	30.162	0.76			85.725	23.812	3.30	30.162	
1.500	1.188	0.14	3876	3820	3.375	0.938	0.13	1.188	TS
38.100	30.162	3.50			85.725	23.812	3.30	30.162	
1.500	1.197	0.14	3381	3320	3.156	0.938	0.13	1.156	TS
38.100	30.391	3.50			80.167	23.812	3.30	29.370	
1.500	1.216	0.06	3580	3525	3.438	0.938	0.13	1.188	TS
38.100	30.886	1.52			87.312	23.812	3.30	30.162	
1.500	1.420	0.14	525	522	4.000	1.063	0.13	1.375	TS
38.100	36.068	3.50			101.600	26.988	3.30	34.925	

Tapered Roller Bearings

Bore Size Listing - Continued

Bore d	Cone		Part Number		OD D	Cup		Bearing	
	Width B	BF Radius R	Cone	Cup		Width C	BF Radius r	Width T / T1	Brg Type
1.535 39.000	0.813 20.638	0.14 3.50	J16154	16283	2.844 72.238	0.750 19.050	0.09 2.30	0.938 23.812	TS
1.563 39.688	0.688 17.462	0.03 0.76	18587	18520	2.875 73.025	0.500 12.700	0.06 1.52	0.656 16.667	TS
1.563 39.688	0.870 22.098	0.03 0.76	M201047	M201011	2.875 73.025	0.840 21.336	0.09 2.29	1.010 25.654	TS
1.563 39.688	0.870 22.098	0.03 0.80	M201047-S	M201011	2.875 73.025	0.840 21.336	0.09 2.30	1.010 25.654	TS
1.563 39.688	0.933 23.698	0.14 3.50	44158	44348	3.484 88.500	0.688 17.462	0.06 1.52	1.000 25.400	TS
1.563 39.688	0.933 23.698	0.14 3.50	44158	44363D	3.625 92.075	1.563 39.688	0.06 1.52	2.188 55.562	TDO
1.563 39.688	1.000 25.400	0.06 1.52	26880	26822	3.125 79.375	0.750 19.050	0.03 0.76	0.938 23.812	TS
1.563 39.688	1.000 25.400	0.14 3.50	26881	26822	3.125 79.375	0.750 19.050	0.03 0.76	0.938 23.812	TS
1.563 39.688	1.010 25.654	0.14 3.50	2789	2720	3.000 76.200	0.750 19.050	0.13 3.30	0.938 23.812	TS
1.563 39.688	1.010 25.654	0.14 3.50	2789	2729X	3.000 76.200	0.750 19.050	0.06 1.50	0.936 23.774	TS
1.563 39.688	1.145 29.083	0.14 3.50	422	414A	3.484 88.500	0.875 22.225	0.13 3.30	1.063 26.987	TS
1.563 39.688	1.197 30.391	0.03 0.76	3386	3320	3.156 80.167	0.938 23.812	0.13 3.30	1.156 29.370	TS
1.563 39.688	1.197 30.391	0.14 3.50	3382	3320	3.156 80.167	0.938 23.812	0.13 3.30	1.156 29.370	TS
1.563 39.688	1.197 30.391	0.14 3.50	3382	3321	3.053 77.534	0.938 23.812	0.13 3.30	1.156 29.370	TS
1.563 39.688	1.197 30.391	0.14 3.50	3382	3328	3.313 84.138	0.938 23.812	0.13 3.30	1.156 29.370	TS
1.563 39.688	1.197 30.391	0.14 3.50	3382	3331	3.156 80.167	0.938 23.812	0.03 0.76	1.156 29.370	TS
1.563 39.688	1.197 30.391	0.14 3.50	3382	3339	3.151 80.035	0.938 23.812	0.06 1.52	1.156 29.370	TS
1.563 39.688	1.197 30.391	0.14 3.50	3382T	3320	3.156 80.167	0.938 23.812	0.13 3.30	1.156 29.370	TS
1.563 39.688	1.197 30.391	0.14 3.50	3382T	3321	3.053 77.534	0.938 23.812	0.13 3.30	1.156 29.370	TS
1.563 39.688	1.197 30.391	0.14 3.50	3382T	3324	3.156 80.167	0.844 21.430	0.13 3.30	1.063 26.987	TS
1.563 39.688	1.197 30.391	0.14 3.50	3382T	3325	3.149 79.974	0.938 23.812	0.13 3.30	1.156 29.370	TS
1.563 39.688	1.197 30.391	0.14 3.50	3382T	3328	3.313 84.138	0.938 23.812	0.13 3.30	1.156 29.370	TS

bearing
specification:
0010110111011100110101
0010110111011100110101

TIMKEN®

Tapered Roller Bearings

Bore Size Listing - Continued

Cone			Part Number		Cup			Bearing	
Bore d	Width B	BF Radius R	Cone	Cup	OD D	Width C	BF Radius r	Width T / T1	Brg Type
1.563 39.688	1.197 30.391	0.14 3.50	3382T	3329	3.219 81.755	0.938 23.812	0.13 3.30	1.156 29.370	TS
1.563 39.688	1.197 30.391	0.14 3.50	3382T	3331	3.156 80.167	0.938 23.812	0.03 0.80	1.156 29.370	TS
1.563 39.688	1.197 30.391	0.14 3.50	3382T	3339	3.151 80.035	0.938 23.812	0.06 1.50	1.156 29.370	TS
1.563 39.688	1.234 31.354	0.15 3.80	17883	17830	3.125 79.375	0.625 15.875	0.08 2.00	1.234 31.354	TS
1.574 39.980	0.774 19.650	0.09 2.30	28156	28300	3.000 76.200	0.611 15.507	0.05 1.30	0.762 19.347	TS
1.574 39.980	0.774 19.650	0.09 2.30	28156	28300X	3.000 76.200	0.610 15.494	0.06 1.50	0.761 19.334	TS
1.574 39.980	0.774 19.650	0.09 2.30	28156	28315	3.150 80.000	0.625 15.875	0.06 1.50	0.776 19.715	TS
1.574 39.980	0.774 19.650	0.09 2.30	28156	28317	3.151 80.035	0.625 15.875	0.06 1.50	0.793 20.142	TS
1.575 40.000	0.709 18.000	0.06 1.50	30208	-	3.150 80.000	0.630 16.000	0.06 1.50	0.778 19.750	TS
1.575 40.000	0.709 18.000	0.06 1.50	30208M	-	3.150 80.000	0.630 16.000	0.06 1.50	0.778 19.750	TS
1.575 40.000	0.748 19.000	0.04 1.00	32008X	-	2.677 68.000	0.571 14.500	0.04 1.00	0.748 19.000	TS
1.575 40.000	0.748 19.000	0.04 1.02	32008XM	-	2.677 68.000	0.571 14.500	0.04 1.02	0.748 19.000	TS
1.575 40.000	0.748 19.000	0.14 3.50	XAA32008X	Y32008X	2.677 68.000	0.571 14.500	0.04 1.02	0.748 19.000	TS
1.575 40.000	0.824 20.940	0.06 1.52	28158	28300	3.000 76.200	0.611 15.507	0.05 1.27	0.813 20.638	TS
1.575 40.000	0.824 20.940	0.06 1.52	28158	28318D	3.151 80.035	1.375 34.925	0.03 0.76	1.813 46.040	TDO
1.575 40.000	0.854 21.692	0.03 0.76	350A	354A	3.347 85.000	0.688 17.462	0.05 1.27	0.812 20.635	TS
1.575 40.000	0.854 21.692	0.16 4.00	350	352	3.548 90.119	0.859 21.808	0.09 2.29	0.906 23.000	TS
1.575 40.000	0.882 22.403	0.03 0.76	344A	332	3.150 80.000	0.702 17.826	0.05 1.27	0.827 21.000	TS
1.575 40.000	0.882 22.403	0.03 0.76	344A	332-B	3.150 80.000	0.702 17.826	0.03 0.76	0.313 7.938	TSF
1.575 40.000	0.882 22.403	0.14 3.50	344	332	3.150 80.000	0.702 17.826	0.05 1.27	0.827 21.000	TS
1.575 40.000	0.906 23.000	0.06 1.50	32208	-	3.150 80.000	0.748 19.000	0.06 1.50	0.974 24.750	TS
1.575 40.000	0.906 23.000	0.06 1.50	32208M	-	3.150 80.000	0.748 19.000	0.06 1.52	0.974 24.750	TS

Tapered Roller Bearings

Bore Size Listing - Continued

Bore d	Cone		Part Number		OD D	Cup		Bearing	
	Width B	BF Radius R	Cone	Cup		Width C	BF Radius r	Width T / T1	Brg Type
1.575 40.000	0.906 23.000	0.08 2.00	30308	-	3.543 90.000	0.787 20.000	0.06 1.50	0.994 25.250	TS
1.575 40.000	0.906 23.000	0.08 2.00	30308M	-	3.543 90.000	0.787 20.000	0.06 1.50	0.994 25.250	TS
1.575 40.000	0.906 23.000	0.08 2.03	31308	-	3.543 90.000	0.669 17.000	0.06 1.52	0.994 25.250	TS
1.575 40.000	1.024 26.000	0.06 1.52	33108	-	2.953 75.000	0.807 20.500	0.06 1.52	1.024 26.000	TS
1.575 40.000	1.145 29.083	0.14 3.50	420	414	3.484 88.500	0.875 22.225	0.06 1.52	1.063 26.988	TS
1.575 40.000	1.145 29.083	0.14 3.50	420	414A	3.484 88.500	0.875 22.225	0.13 3.30	1.063 26.987	TS
1.575 40.000	1.187 30.137		513045	-	3.149 80.000			1.187 30.137	TS
1.575 40.000	1.188 30.162	0.03 0.76	3879	3820	3.375 85.725	0.938 23.812	0.13 3.30	1.188 30.162	TS
1.575 40.000	1.260 32.000	0.06 1.52	33208	-	3.150 80.000	0.984 25.000	0.06 1.52	1.260 32.000	TS
1.575 40.000	1.299 33.000	0.08 2.03	32308	-	3.543 90.000	1.063 27.000	0.06 1.52	1.388 35.250	TS
1.575 40.000	1.299 33.000	0.08 2.03	32308-B	-	3.543 90.000	1.063 27.000	0.06 1.52	1.388 35.250	TS
1.575 40.000	1.455 36.957	0.14 3.50	543	532X	4.250 107.950	1.125 28.575	0.13 3.30	1.438 36.512	TS
1.575 39.992	1.496 38.006	0.17 4.39	513246	-	3.149 79.992	1.494 37.940	0.06 1.50	1.496 38.006	TDO
1.594 40.483	1.125 28.575	0.14 3.50	HM801349	HM801310	3.250 82.550	0.906 23.020	0.13 3.30	1.156 29.370	TS
1.614 40.987			517004	-	0.532 13.500			0.689 17.500	TDO
1.614 40.987	0.709 18.000	SPCL	LM300849	LM300811	2.676 67.975	0.532 13.500	0.06 1.52	0.689 17.500	TS
1.614 41.000	1.575 40.000	0.13 3.20	517009	-	2.677 68.000	1.378 35.000	0.04 1.00	1.575 40.000	TDO
1.625 41.275	0.684 17.384	0.06 1.52	11162	11300	3.000 76.200	0.563 14.288	0.06 1.52	0.709 18.009	TS
1.625 41.275	0.684 17.384	0.06 1.52	11162	11300-B	3.000 76.200	0.563 14.288	0.06 1.52	0.287 7.292	TSF
1.625 41.275	0.684 17.384	0.06 1.52	11162	11315	3.150 80.000	0.563 14.288	0.06 1.52	0.709 18.009	TS
1.625 41.275	0.688 17.462	0.14 3.50	18590	18520	2.875 73.025	0.500 12.700	0.06 1.52	0.656 16.667	TS
1.625 41.275	0.709 18.000	0.14 3.50	LM300848	LM300811	2.676 67.975	0.532 13.500	0.06 1.52	0.689 17.500	TS

bearing
specification:
0010110111011100110101
0010110111011100110101

TIMKEN®

Tapered Roller Bearings

Bore Size Listing - Continued

Cone			Part Number		Cup			Bearing	
Bore d	Width B	BF Radius R	Cone	Cup	OD D	Width C	BF Radius r	Width T / T1	Brg Type
1.625	0.780	0.14	LM501349	LM501310	2.891	0.580	0.03	0.770	TS
41.275	19.812	3.50			73.431	14.732	0.76	19.558	
1.625	0.780	0.14	LM501349	LM501314	2.891	0.654	0.03	0.844	TS
41.275	19.812	3.50			73.431	16.604	0.76	21.430	
1.625	0.875	0.14	365A	362A	3.500	0.650	0.05	0.813	TS
41.275	22.225	3.50			88.900	16.513	1.27	20.638	
1.625	0.875	0.14	365A	363D	3.543	1.656	0.03	1.969	TDO
41.275	22.225	3.50			90.000	42.070	0.76	50.010	
1.625	0.882	0.03	336	332	3.150	0.702	0.05	0.827	TS
41.275	22.403	0.76			80.000	17.826	1.27	21.000	
1.625	0.882	0.14	342	332	3.150	0.702	0.05	0.827	TS
41.275	22.403	3.50			80.000	17.826	1.27	21.000	
1.625	0.906	0.03	24781	24721	3.000	0.813	0.09	1.000	TS
41.275	23.020	0.80			76.200	20.638	2.30	25.400	
1.625	0.906	0.14	24780	24720	3.000	0.688	0.03	0.875	TS
41.275	23.020	3.50			76.200	17.462	0.76	22.225	
1.625	0.906	0.14	24780	24720D	3.000	1.563	0.03	1.938	TDO
41.275	23.020	3.50			76.200	39.688	0.76	49.212	
1.625	0.906	0.14	24780	24721	3.000	0.813	0.09	1.000	TS
41.275	23.020	3.50			76.200	20.638	2.30	25.400	
1.625	0.933	0.09	44162	44348	3.484	0.688	0.06	1.000	TS
41.275	23.698	2.29			88.500	17.462	1.52	25.400	
1.625	0.933	0.09	44162	44363D	3.625	1.563	0.06	2.188	TDO
41.275	23.698	2.29			92.075	39.688	1.52	55.562	
1.625	0.938	0.14	M903345	M903310	3.625	0.656	0.06	1.031	TS
41.275	23.812	3.50			92.075	16.670	1.52	26.195	
1.625	1.000	0.03	26885	26822	3.125	0.750	0.03	0.938	TS
41.275	25.400	0.76			79.375	19.050	0.76	23.812	
1.625	1.000	0.06	26882T	26820	3.156	0.813	0.13	1.000	TS
41.275	25.400	1.50			80.167	20.638	3.30	25.400	
1.625	1.000	0.06	26882T	26821	3.156	0.969	0.13	1.156	TS
41.275	25.400	1.50			80.167	24.608	3.30	29.370	
1.625	1.000	0.06	26882T	26822	3.125	0.750	0.03	0.938	TS
41.275	25.400	1.50			79.375	19.050	0.80	23.812	
1.625	1.000	0.06	26882T	26822A	3.125	0.750	0.09	0.938	TS
41.275	25.400	1.50			79.375	19.050	2.30	23.812	
1.625	1.000	0.06	26882T	26823	3.000	0.813	0.06	1.000	TS
41.275	25.400	1.50			76.200	20.638	1.50	25.400	
1.625	1.000	0.06	26882T	26824	3.150	0.750	0.05	0.938	TS
41.275	25.400	1.50			80.000	19.050	1.30	23.812	
1.625	1.000	0.06	26882T	26830	3.156	0.813	0.03	1.000	TS
41.275	25.400	1.50			80.167	20.638	0.80	25.400	
1.625	1.000	0.06	26882T	26831	3.484	0.813	0.03	1.000	TS
41.275	25.400	1.50			88.500	20.638	0.80	25.400	

Tapered Roller Bearings

Bore Size Listing - Continued

Cone			Part Number		Cup			Bearing	
Bore d	Width B	BF Radius R	Cone	Cup	OD D	Width C	BF Radius r	Width T / T1	Brg Type
1.625	1.000	0.14	26882	26820	3.156	0.813	0.13	1.000	TS
41.275	25.400	3.50			80.167	20.638	3.30	25.400	
1.625	1.000	0.14	26882	26822	3.125	0.750	0.03	0.938	TS
41.275	25.400	3.50			79.375	19.050	0.76	23.812	
1.625	1.000	0.14	26882	26822-B	3.125	0.750	0.03	0.344	TSF
41.275	25.400	3.50			79.375	19.050	0.76	8.733	
1.625	1.000	0.14	26882	26822A	3.125	0.750	0.09	0.938	TS
41.275	25.400	3.50			79.375	19.050	2.29	23.812	
1.625	1.000	0.14	26882	26823	3.000	0.813	0.06	1.000	TS
41.275	25.400	3.50			76.200	20.638	1.52	25.400	
1.625	1.000	0.14	26882	26824	3.150	0.750	0.05	0.938	TS
41.275	25.400	3.50			80.000	19.050	1.27	23.812	
1.625	1.010	0.14	M802048	M802011	3.250	0.795	0.13	1.045	TS
41.275	25.654	3.50			82.550	20.193	3.30	26.543	
1.625	1.114	0.06	53162	53375	3.750	0.813	0.03	1.219	TS
41.275	28.301	1.52			95.250	20.638	0.76	30.958	
1.625	1.114	0.06	HM903244	HM903210	3.750	0.875	0.03	1.219	TS
41.275	28.300	1.52			95.250	22.225	0.76	30.958	
1.625	1.125	0.14	HM903245	HM903210	3.750	0.875	0.03	1.219	TS
41.275	28.575	3.50			95.250	22.225	0.76	30.958	
1.625	1.145	0.14	419	414	3.484	0.875	0.06	1.063	TS
41.275	29.083	3.50			88.500	22.225	1.52	26.988	
1.625	1.145	0.14	419	414A	3.484	0.875	0.13	1.063	TS
41.275	29.083	3.50			88.500	22.225	3.30	26.987	
1.625	1.156	0.03	HM803145	HM803110	3.500	0.906	0.13	1.188	TS
41.275	29.370	0.76			88.900	23.020	3.30	30.162	
1.625	1.156	0.14	HM803146	HM803110	3.500	0.906	0.13	1.188	TS
41.275	29.370	3.50			88.900	23.020	3.30	30.162	
1.625	1.156	0.14	HM803146	HM803111	3.500	0.906	0.03	1.188	TS
41.275	29.370	3.50			88.900	23.020	0.76	30.162	
1.625	1.156	0.14	HM804840	HM804810	3.750	0.906	0.13	1.188	TS
41.275	29.370	3.50			95.250	23.020	3.30	30.162	
1.625	1.180	0.14	342A	332	3.150	0.702	0.05	1.125	TS
41.275	29.977	3.50			80.000	17.826	1.50	28.575	
1.625	1.180	0.14	342A	3320	3.156	0.938	0.13	1.361	TS
41.275	29.977	3.50			80.167	23.812	3.30	34.562	
1.625	1.180	0.14	342A	332A	3.150	0.827	0.09	1.250	TS
41.275	29.977	3.50			80.000	21.000	2.50	31.750	
1.625	1.180	0.14	342A	332US	3.150	0.702	0.08	1.125	TS
41.275	29.977	3.50			80.000	17.826	2.00	28.575	
1.625	1.180	0.14	342A	333	3.150	0.827	0.08	1.125	TS
41.275	29.977	3.50			80.000	21.000	2.00	28.575	
1.625	1.180	0.14	342A	333A	3.149	0.827	0.03	1.125	TS
41.275	29.977	3.50			79.974	21.000	0.80	28.575	

bearing
specification:
0010110111011100110101
0010110111011100110101

TIMKEN®

Tapered Roller Bearings

Bore Size Listing - Continued

Cone			Part Number		Cup			Bearing	
Bore d	Width B	BF Radius R	Cone	Cup	OD D	Width C	BF Radius r	Width T / T1	Brg Type
1.625	1.188	0.03	3880	3820	3.375	0.938	0.13	1.188	TS
41.275	30.162	0.76			85.725	23.812	3.30	30.162	
1.625	1.188	0.14	3877	3820	3.375	0.938	0.13	1.188	TS
41.275	30.162	3.50			85.725	23.812	3.30	30.162	
1.625	1.188	0.14	3877	3820-B	3.375	0.938	0.13	0.438	TSF
41.275	30.162	3.50			85.725	23.812	3.30	11.112	
1.625	1.188	0.14	3877	3821	3.375	0.938	0.05	1.188	TS
41.275	30.162	3.50			85.725	23.812	1.27	30.162	
1.625	1.197	0.14	3383	3320	3.156	0.938	0.13	1.156	TS
41.275	30.391	3.50			80.167	23.812	3.30	29.370	
1.625	1.197	0.14	3383	3321	3.053	0.938	0.13	1.156	TS
41.275	30.391	3.50			77.534	23.812	3.30	29.370	
1.625	1.197	0.14	3383	3324	3.156	0.844	0.13	1.063	TS
41.275	30.391	3.50			80.167	21.430	3.30	26.987	
1.625	1.197	0.14	3383	3325	3.149	0.938	0.13	1.156	TS
41.275	30.391	3.50			79.974	23.812	3.30	29.370	
1.625	1.197	0.14	3383	3328	3.313	0.938	0.13	1.156	TS
41.275	30.391	3.50			84.138	23.812	3.30	29.370	
1.625	1.197	0.14	3383	3329	3.219	0.938	0.13	1.156	TS
41.275	30.391	3.50			81.755	23.812	3.30	29.370	
1.625	1.197	0.14	3383	3331	3.156	0.938	0.03	1.156	TS
41.275	30.391	3.50			80.167	23.812	0.80	29.370	
1.625	1.197	0.14	3383	3339	3.151	0.938	0.06	1.156	TS
41.275	30.391	3.50			80.035	23.812	1.50	29.370	
1.625	1.216	0.03	3576	3525	3.438	0.938	0.13	1.188	TS
41.275	30.886	0.76			87.312	23.812	3.30	30.162	
1.625	1.216	0.06	3585	3525	3.438	0.938	0.13	1.188	TS
41.275	30.886	1.52			87.312	23.812	3.30	30.162	
1.625	1.216	0.14	3577	3525	3.438	0.938	0.13	1.188	TS
41.275	30.886	3.50			87.312	23.812	3.30	30.162	
1.625	1.250	0.03	46162	46368	3.688	1.031	0.13	1.250	TS
41.275	31.750	0.76			93.662	26.195	3.30	31.750	
1.625	1.420	0.14	526	522	4.000	1.063	0.13	1.375	TS
41.275	36.068	3.50			101.600	26.988	3.30	34.925	
1.625	1.438	0.06	HM807035	HM807010	4.125	1.125	0.13	1.438	TS
41.275	36.512	1.52			104.775	28.575	3.30	36.512	
1.625	1.438	0.06	HM807035	HM807011	4.125	1.125	0.03	1.438	TS
41.275	36.512	1.52			104.775	28.575	0.76	36.512	
1.625	1.590	0.14	4388	4335	3.563	1.313	0.13	1.563	TS
41.275	40.386	3.50			90.488	33.338	3.30	39.688	
1.654	1.000	0.03	J28573	28527RB	3.937	0.781	0.02	0.969	TS
42.000	25.400	0.80			99.995	19.845	0.50	24.608	
1.654	1.496		513057	-	2.835	1.496		1.496	DRT
42.000	38.000				72.000	38.000		38.000	

Tapered Roller Bearings

Bore Size Listing - Continued

Cone			Part Number		Cup			Bearing	
Bore d	Width B	BF Radius R	Cone	Cup	OD D	Width C	BF Radius r	Width T / T1	Brg Type
1.654 41.999	1.496 38.001		517008	-	1.378 35.001			1.496 38.001	TS
1.654 42.000	1.496 38.000	0.14 3.50	516005	-	3.150 80.000	1.496 38.000	0.06 1.50	1.496 38.000	TS
1.654 41.999	1.496 38.001	SPCL	513015	-	2.835 71.999	1.378 35.001	SPCL	1.496 38.001	TDO
1.654 42.000	1.535 39.000		513058	-	2.992 76.000	1.535 39.000		1.535 39.000	DRT
1.654 41.999	2.047 51.999		516003	-	2.835 71.999	1.890 48.001		2.047 51.999	TS
1.656 42.070	1.590 40.386	0.14 3.50	4395	4335	3.563 90.488	1.313 33.338	0.13 3.30	1.563 39.688	TS
1.688 42.862	0.675 17.145	0.06 1.52	12168	12303	3.031 76.992	0.469 11.908	0.06 1.52	0.688 17.462	TS
1.688 42.875	0.882 22.403	0.14 3.50	342-S	332-B	3.150 80.000	0.702 17.826	0.03 0.76	0.313 7.938	TSF
1.688 42.875	0.882 22.403	0.14 3.50	342-S	3320	3.156 80.167	0.938 23.812	0.13 3.30	1.063 26.988	TS
1.688 42.875	1.000 25.400	0.06 1.52	26886	26822	3.125 79.375	0.750 19.050	0.03 0.76	0.938 23.812	TS
1.688 42.862	1.000 25.400	0.09 2.29	25578	25520	3.265 82.931	0.750 19.050	0.03 0.76	0.938 23.812	TS
1.688 42.862	1.000 25.400	0.09 2.29	25578	25520D	3.265 82.931	1.875 47.625	0.03 0.76	2.250 57.150	TDO
1.688 42.875	1.000 25.400	0.14 3.50	25577	25520	3.265 82.931	0.750 19.050	0.03 0.76	0.938 23.812	TS
1.688 42.875	1.000 25.400	0.14 3.50	25577	25520D	3.265 82.931	1.875 47.625	0.03 0.76	2.250 57.150	TDO
1.688 42.875	1.000 25.400	0.14 3.50	26884	26822	3.125 79.375	0.750 19.050	0.03 0.76	0.938 23.812	TS
1.688 42.875	1.000 25.400	0.14 3.50	26884	26822-B	3.125 79.375	0.750 19.050	0.03 0.76	0.344 8.733	TSF
1.688 42.862	1.063 26.988	0.14 3.50	22780	22720	3.250 82.550	0.813 20.638	0.13 3.30	1.031 26.195	TS
1.688 42.862	1.216 30.886	0.14 3.50	3579	3525	3.438 87.312	0.938 23.812	0.13 3.30	1.188 30.162	TS
1.692 42.987	0.813 20.638	0.06 1.50	17886	17830	3.125 79.375	0.625 15.875	0.08 2.00	0.813 20.638	TS
1.693 43.000	1.654 42.000	0.14 3.50	517003	-	3.031 77.000	1.496 38.000	0.04 1.00	1.654 42.000	TDO
1.693 43.000	1.772 45.001	0.17 4.22	516004	-	2.874 72.000	1.616 41.001	0.04 1.09	1.772 45.001	TS
1.750 44.450	0.500 12.700	0.06 1.52	LL103049	LL103010	2.813 71.438	0.375 9.525	0.06 1.52	0.500 12.700	TS

bearing
specification:
0010110111011100110101
0010110111011100110101

TIMKEN®

Tapered Roller Bearings

Bore Size Listing - Continued

Cone			Part Number		Cup			Bearing	
Bore d	Width B	BF Radius R	Cone	Cup	OD D	Width C	BF Radius r	Width T / T1	Brg Type
1.750	0.500	0.06	LL103049	LL103010-B	2.813	0.375	0.06	0.235	TSF
44.450	12.700	1.52			71.438	9.525	1.52	5.969	
1.750	0.675	0.06	12175	12303	3.031	0.469	0.06	0.688	TS
44.450	17.145	1.52			76.992	11.908	1.52	17.462	
1.750	0.688	0.01	13175	13318	3.188	0.563	0.06	0.750	TS
44.450	17.462	0.13			80.962	14.288	1.52	19.050	
1.750	0.688	0.11	18685	18620	3.125	0.531	0.06	0.688	TS
44.450	17.462	2.79			79.375	13.495	1.52	17.462	
1.750	0.688	0.11	18685	18620D	3.125	1.313	0.03	1.625	TDO
44.450	17.462	2.79			79.375	33.338	0.76	41.272	
1.750	0.719	0.06	L102849	L102810	2.875	0.594	0.06	0.719	TS
44.450	18.258	1.52			73.025	15.083	1.52	18.258	
1.750	0.854	0.03	355A	354A	3.347	0.688	0.05	0.813	TS
44.450	21.692	0.76			85.000	17.462	1.27	20.638	
1.750	0.854	0.09	355	354A	3.347	0.688	0.05	0.813	TS
44.450	21.692	2.29			85.000	17.462	1.27	20.638	
1.750	0.854	0.14	355X	352	3.548	0.859	0.09	0.906	TS
44.450	21.692	3.50			90.119	21.808	2.30	23.000	
1.750	0.854	0.14	355X	3520	3.313	0.938	0.13	1.063	TS
44.450	21.692	3.50			84.138	23.812	3.30	26.993	
1.750	0.854	0.14	355X	3525	3.438	0.938	0.13	1.063	TS
44.450	21.692	3.50			87.312	23.812	3.30	26.993	
1.750	0.854	0.14	355X	352A	3.499	0.859	0.09	0.906	TS
44.450	21.692	3.50			88.875	21.808	2.30	23.000	
1.750	0.854	0.14	355X	352X	3.543	0.859	0.09	0.906	TS
44.450	21.692	3.50			90.000	21.808	2.30	23.000	
1.750	0.854	0.14	355X	353	3.543	0.906	0.08	0.906	TS
44.450	21.692	3.50			90.000	23.000	2.00	23.000	
1.750	0.854	0.14	355X	354	3.347	0.748	0.08	0.748	TS
44.450	21.692	3.50			85.000	19.000	2.00	19.000	
1.750	0.854	0.14	355X	354A	3.347	0.688	0.05	0.813	TS
44.450	21.692	3.50			85.000	17.462	1.30	20.638	
1.750	0.854	0.14	355X	354X	3.347	0.688	0.06	0.812	TS
44.450	21.692	3.50			85.000	17.462	1.50	20.635	
1.750	0.906	0.03	35176	35326	3.265	0.688	0.03	0.875	TS
44.450	23.012	0.76			82.931	17.462	0.76	22.225	
1.750	1.000	0.02	25581	25520	3.265	0.750	0.03	0.938	TS
44.450	25.400	0.51			82.931	19.050	0.76	23.812	
1.750	1.000	0.02	25581	25520D	3.265	1.875	0.03	2.250	TDO
44.450	25.400	0.51			82.931	47.625	0.76	57.150	
1.750	1.000	0.14	25580	25520	3.265	0.750	0.03	0.938	TS
44.450	25.400	3.50			82.931	19.050	0.76	23.812	
1.750	1.000	0.14	25580	25520D	3.265	1.875	0.03	2.250	TDO
44.450	25.400	3.50			82.931	47.625	0.76	57.150	

Tapered Roller Bearings

Bore Size Listing - Continued

Cone			Part Number		Cup			Bearing	
Bore d	Width B	BF Radius R	Cone	Cup	OD D	Width C	BF Radius r	Width T / T1	Brg Type
1.750	1.000	0.20	25582	25520	3.265	0.750	0.03	0.938	TS
44.450	25.400	5.00			82.931	19.050	0.76	23.812	
1.750	1.000	0.20	25582	25520D	3.265	1.875	0.03	2.250	TDO
44.450	25.400	5.00			82.931	47.625	0.76	57.150	
1.750	1.059	0.03	55176C	55437	4.375	0.813	0.13	1.188	TS
44.450	26.909	0.76			111.125	20.638	3.30	30.162	
1.750	1.059	0.14	55175	55433D	4.330	1.688	0.02	2.500	TDO
44.450	26.909	3.50			109.982	42.865	0.51	63.500	
1.750	1.059	0.14	55175C	55437	4.375	0.813	0.13	1.188	TS
44.450	26.909	3.50			111.125	20.638	3.30	30.162	
1.750	1.114	0.05	53176	53375	3.750	0.813	0.03	1.219	TS
44.450	28.301	1.27			95.250	20.638	0.76	30.958	
1.750	1.114	0.05	53176	53377	3.750	0.813	0.09	1.219	TS
44.450	28.301	1.27			95.250	20.638	2.29	30.958	
1.750	1.114	0.05	53176	53387	3.875	0.813	0.03	1.219	TS
44.450	28.301	1.27			98.425	20.638	0.76	30.958	
1.750	1.114	0.05	HM903247	HM903210	3.750	0.875	0.03	1.219	TS
44.450	28.300	1.27			95.250	22.225	0.76	30.958	
1.750	1.114	0.08	53178	53375	3.750	0.813	0.03	1.219	TS
44.450	28.301	2.03			95.250	20.638	0.76	30.958	
1.750	1.114	0.14	53177	53375	3.750	0.813	0.03	1.219	TS
44.450	28.301	3.50			95.250	20.638	0.76	30.958	
1.750	1.114	0.14	HM903249A	HM903210	3.750	0.875	0.03	1.219	TS
44.450	28.300	3.50			95.250	22.225	0.76	30.958	
1.750	1.125	0.03	33885	33821	3.750	0.875	0.09	1.094	TS
44.450	28.575	0.76			95.250	22.225	2.29	27.783	
1.750	1.125	0.03	33885	33821D	3.750	2.062	0.03	2.500	TDO
44.450	28.575	0.76			95.250	52.385	0.76	63.500	
1.750	1.125	0.14	HM903249	HM903210	3.750	0.875	0.03	1.219	TS
44.450	28.575	3.50			95.250	22.225	0.76	30.958	
1.750	1.154	0.14	460	452D	4.250	2.125	0.03	2.563	TDO
44.450	29.317	3.50			107.950	53.975	0.76	65.090	
1.750	1.154	0.14	460	453X	4.125	0.969	0.13	1.188	TS
44.450	29.317	3.50			104.775	24.605	3.30	30.162	
1.750	1.156	0.03	HM804842	HM804810	3.750	0.906	0.13	1.188	TS
44.450	29.370	0.76			95.250	23.020	3.30	30.162	
1.750	1.156	0.14	HM803149	HM803110	3.500	0.906	0.13	1.188	TS
44.450	29.370	3.50			88.900	23.020	3.30	30.162	
1.750	1.156	0.14	HM804843	HM804810	3.750	0.906	0.13	1.188	TS
44.450	29.370	3.50			95.250	23.020	3.30	30.162	
1.750	1.177	0.14	438	432	3.750	0.875	0.09	1.094	TS
44.450	29.900	3.50			95.250	22.225	2.29	27.783	
1.750	1.177	0.14	438	432-B	3.750	0.875	0.09	0.438	TSF
44.450	29.900	3.50			95.250	22.225	2.29	11.115	

Tapered Roller Bearings

Bore Size Listing - Continued

Cone			Part Number		Cup			Bearing	
Bore d	Width B	BF Radius R	Cone	Cup	OD D	Width C	BF Radius r	Width T / T1	Brg Type
1.750	1.177	0.14	438	432A	3.750	0.875	0.03	1.094	TS
44.450	29.900	3.50			95.250	22.225	0.76	27.783	
1.750	1.177	0.14	438	432D	3.750	2.000	0.03	2.438	TDO
44.450	29.900	3.50			95.250	50.800	0.76	61.915	
1.750	1.193	0.14	3782	3720	3.672	0.938	0.13	1.188	TS
44.450	30.302	3.50			93.264	23.812	3.30	30.162	
1.750	1.193	0.14	3782	3729D	3.672	2.063	0.03	2.563	TDO
44.450	30.302	3.50			93.264	52.388	0.76	65.088	
1.750	1.216	0.14	3578	3520	3.313	0.938	0.13	1.188	TS
44.450	30.886	3.50			84.138	23.812	3.30	30.162	
1.750	1.216	0.14	3578	3525	3.438	0.938	0.13	1.188	TS
44.450	30.886	3.50			87.312	23.812	3.30	30.162	
1.750	1.216	0.14	3578	3525-B	3.438	0.938	0.13	0.438	TSF
44.450	30.886	3.50			87.312	23.812	3.30	11.112	
1.750	1.216	0.14	3578	3526	3.438	0.938	0.03	1.188	TS
44.450	30.886	3.50			87.312	23.812	0.76	30.162	
1.750	1.216	0.22	3578A	3520	3.313	0.938	0.13	1.188	TS
44.450	30.886	5.50			84.138	23.812	3.30	30.162	
1.750	1.216	0.22	3578A	3520V	3.313	0.938	0.13	1.188	TS
44.450	30.886	5.50			84.138	23.812	3.30	30.162	
1.750	1.216	0.22	3578A	3521	3.397	0.938	0.13	1.188	TS
44.450	30.886	5.50			86.284	23.812	3.30	30.162	
1.750	1.216	0.22	3578A	3525	3.438	0.938	0.13	1.188	TS
44.450	30.886	5.50			87.312	23.812	3.30	30.162	
1.750	1.216	0.22	3578A	3526	3.438	0.938	0.03	1.188	TS
44.450	30.886	5.50			87.312	23.812	0.80	30.162	
1.750	1.216	0.22	3578A	3530	3.313	0.938	0.03	1.188	TS
44.450	30.886	5.50			84.138	23.812	0.80	30.162	
1.750	1.219	0.03	45280	45220	4.125	0.938	0.13	1.188	TS
44.450	30.958	0.76			104.775	23.812	3.30	30.162	
1.750	1.234	SPCL	17888	17830	3.125	0.625	0.08	1.234	TS
44.450	31.354				79.375	15.875	2.00	31.354	
1.750	1.234	SPCL	17888	17831	3.149	0.594	0.05	1.203	TS
44.450	31.354				79.985	15.080	1.27	30.559	
1.750	1.250	0.03	49576	49520	4.000	1.000	0.13	1.250	TS
44.450	31.750	0.76			101.600	25.400	3.30	31.750	
1.750	1.250	0.14	46176	46368	3.688	1.031	0.13	1.250	TS
44.450	31.750	3.50			93.662	26.195	3.30	31.750	
1.750	1.250	0.14	49175	49368	3.688	1.000	0.13	1.250	TS
44.450	31.750	3.50			93.662	25.400	3.30	31.750	
1.750	1.321	0.03	17884	17830	3.125	0.625	0.08	1.234	TS
44.450	33.553	0.80			79.375	15.875	2.00	31.354	
1.750	1.413	SPCL	25583	25547RB	3.937	0.813	0.02	1.413	TS
44.450	35.878				99.995	20.638	0.50	35.877	

Tapered Roller Bearings

Bore Size Listing - Continued

Bore d	Cone		Part Number		OD D	Cup		Bearing	
	Width B	BF Radius R	Cone	Cup		Width C	BF Radius r	Width T / T1	Brg Type
1.750	1.420	0.14	527	522	4.000	1.063	0.13	1.375	TS
44.450	36.068	3.50			101.600	26.988	3.30	34.925	
1.750	1.438	0.14	59175	59412	4.125	1.125	0.13	1.438	TS
44.450	36.512	3.50			104.775	28.575	3.30	36.512	
1.750	1.438	0.14	HM807040	HM807010	4.125	1.125	0.13	1.438	TS
44.450	36.512	3.50			104.775	28.575	3.30	36.512	
1.750	1.455	0.14	535	532A	4.375	1.188	0.13	1.500	TS
44.450	36.957	3.50			111.125	30.162	3.30	38.100	
1.750	1.455	0.14	535	532X	4.250	1.125	0.13	1.438	TS
44.450	36.957	3.50			107.950	28.575	3.30	36.512	
1.750	1.751	0.05	5356	5335	4.063	1.438	0.13	1.719	TS
44.450	44.475	1.27			103.188	36.512	3.30	43.658	
1.750	2.063	0.14	6277	6220	5.000	1.625	0.13	2.000	TS
44.450	52.388	3.50			127.000	41.275	3.30	50.800	
1.767	1.000	0.14	28576	28527RB	3.937	0.781	0.02	0.969	TS
44.869	25.400	3.50			99.995	19.845	0.50	24.608	
1.771	1.000	0.06	25584	25520	3.265	0.750	0.03	0.938	TS
44.983	25.400	1.52			82.931	19.050	0.76	23.812	
1.771	1.000	0.06	25584	25520D	3.265	1.875	0.03	2.250	TDO
44.983	25.400	1.52			82.931	47.625	0.76	57.150	
1.771	1.193	0.14	3776	3720	3.672	0.938	0.13	1.188	TS
44.983	30.302	3.50			93.264	23.812	3.30	30.162	
1.771	1.193	0.14	3776	3729D	3.672	2.063	0.03	2.563	TDO
44.983	30.302	3.50			93.264	52.388	0.76	65.088	
1.771	1.250	0.10	HM905843	HM905810	4.133	0.920	0.10	1.280	TS
44.987	31.750	2.54			104.986	23.368	2.54	32.512	
1.772		0.14	517007	-	3.079	1.457	0.06	1.516	TS
45.000		3.50			78.000	37.000	1.50	38.500	
1.772	0.748	0.06	30209M	-	3.347	0.630	0.06	0.817	TS
45.000	19.000	1.50			85.000	16.000	1.50	20.750	
1.772	0.787	0.04	32009X	-	2.953	0.610	0.04	0.787	TS
45.000	20.000	1.00			75.000	15.500	1.00	20.000	
1.772	0.787	0.04	32009XM	-	2.953	0.610	0.04	0.787	TS
45.000	20.000	1.02			75.000	15.500	1.02	20.000	
1.772	0.854	0.06	358	354A	3.347	0.688	0.05	0.813	TS
45.000	21.692	1.52			85.000	17.462	1.27	20.638	
1.772	0.875	0.08	367	362A	3.500	0.650	0.05	0.813	TS
45.000	22.225	2.03			88.900	16.513	1.27	20.638	
1.772	0.875	0.08	367	363D	3.543	1.656	0.03	1.969	TDO
45.000	22.225	2.03			90.000	42.070	0.76	50.010	
1.772	0.906	0.06	32209M	-	3.347	0.748	0.06	0.974	TS
45.000	23.000	1.50			85.000	19.000	1.52	24.750	
1.772	0.945	0.14	JLM603048F	JLM603013Z	3.071	0.591	0.09	0.847	TS
45.000	24.000	3.50			78.000	15.000	2.30	21.504	

bearing
specification:
0010110111011100110101
0010110111011100110101

TIMKEN®

Tapered Roller Bearings

Bore Size Listing - Continued

Cone			Part Number		Cup			Bearing	
Bore d	Width B	BF Radius R	Cone	Cup	OD D	Width C	BF Radius r	Width T / T1	Brg Type
1.772 45.000	0.984 25.000	0.08 2.00	30309	-	3.937 100.000	0.866 22.000	0.06 1.50	1.073 27.249	TS
1.772 45.000	0.984 25.000	0.08 2.00	30309M	-	3.937 100.000	0.866 22.000	0.06 1.50	1.073 27.250	TS
1.772 45.000	0.984 25.000	0.08 2.00	31309M	-	3.937 100.000	0.709 18.000	0.06 1.52	1.073 27.250	TS
1.772 45.000	1.000 25.400	0.03 0.80	J28577	28527RB	3.937 99.995	0.781 19.845	0.02 0.50	0.969 24.608	TS
1.772 45.000	1.024 26.000	0.06 1.52	33109	-	3.150 80.000	0.807 20.500	0.06 1.52	1.024 26.000	TS
1.772 45.000	1.043 26.500	0.10 2.54	JW4549	JW4510	3.740 95.000	0.787 20.000	0.10 2.54	1.142 29.000	TS
1.772 45.000	1.260 32.000	0.06 1.52	33209	-	3.347 85.000	0.984 25.000	0.06 1.52	1.260 32.000	TS
1.772 45.000	1.417 36.000	0.08 2.00	32309	-	3.937 100.000	1.181 30.000	0.06 1.50	1.506 38.250	TS
1.772 45.000	1.417 36.000	0.08 2.03	32309-BM	-	3.937 100.000	1.181 30.000	0.06 1.52	1.506 38.250	TS
1.772 45.000	1.417 36.000	0.08 2.03	32309M	-	3.937 100.000	1.181 30.000	0.06 1.52	1.506 38.250	TS
1.781 45.242	0.780 19.812	0.14 3.50	LM102949	LM102910	2.891 73.431	0.620 15.748	0.03 0.76	0.770 19.558	TS
1.781 45.242	0.780 19.812	0.14 3.50	LM102949	LM102911	2.891 73.431	0.694 17.620	0.03 0.80	0.844 21.430	TS
1.781 45.242	0.780 19.812	0.14 3.50	LM102949CP	LM102911	2.891 73.431	0.694 17.620	0.03 0.80	0.844 21.430	TS
1.781 45.242	0.780 19.812	0.14 3.50	LM102949P	LM102911	2.891 73.431	0.694 17.620	0.03 0.80	0.844 21.430	TS
1.781 45.242	0.781 19.842	0.14 3.50	LM603049	LM603011	3.063 77.788	0.594 15.080	0.03 0.76	0.781 19.842	TS
1.781 45.242	0.781 19.842	0.14 3.50	LM603049	LM603012	3.063 77.788	0.656 16.667	0.03 0.76	0.844 21.430	TS
1.781 45.242	0.781 19.842	0.14 3.50	LM603049	LM603014	3.149 80.000	0.594 15.080	0.03 0.76	0.781 19.842	TS
1.781 45.230	0.813 20.638	0.08 2.00	17887	17830	3.125 79.375	0.625 15.875	0.08 2.00	0.813 20.638	TS
1.781 45.230	0.813 20.638	0.08 2.03	17887	17831	3.149 79.985	0.594 15.080	0.05 1.27	0.781 19.842	TS
1.781 45.237	1.216 30.886	0.14 3.50	3586	3525	3.438 87.312	0.938 23.812	0.13 3.30	1.188 30.162	TS
1.781 45.237	1.216 30.886	0.14 3.50	3586	3525-B	3.438 87.312	0.938 23.812	0.13 3.30	0.438 11.112	TSF
1.796 45.618	1.000 25.400	0.14 3.50	25590	25519	3.250 82.550	0.750 19.050	0.08 2.03	0.938 23.812	TS

Tapered Roller Bearings

Bore Size Listing - Continued

Cone			Part Number		Cup			Bearing	
Bore d	Width B	BF Radius R	Cone	Cup	OD D	Width C	BF Radius r	Width T / T1	Brg Type
1.796	1.000	0.14	25590	25520	3.265	0.750	0.03	0.938	TS
45.618	25.400	3.50			82.931	19.050	0.76	23.812	
1.796	1.000	0.14	25590	25520D	3.265	1.875	0.03	2.250	TDO
45.618	25.400	3.50			82.931	47.625	0.76	57.150	
1.796	1.000	0.14	25590	25521	3.270	0.750	0.13	0.938	TS
45.618	25.400	3.50			83.058	19.050	3.30	23.812	
1.796	1.000	0.14	25590	25522	3.270	0.753	0.08	0.940	TS
45.618	25.400	3.50			83.058	19.114	2.03	23.876	
1.796	1.000	0.14	25590	25523	3.265	0.875	0.09	1.063	TS
45.618	25.400	3.50			82.931	22.225	2.29	26.988	
1.796	1.000	0.14	25590	25526	3.347	0.750	0.09	0.938	TS
45.618	25.400	3.50			85.000	19.050	2.29	23.812	
1.811	0.709	0.09	LM503349	LM503310	2.952	0.551	0.06	0.709	TS
45.987	18.000	2.29			74.975	14.000	1.52	18.000	
1.811	0.709	SPCL	LM503349A	LM503310	2.952	0.551	0.06	0.709	TS
45.987	18.000				74.975	14.000	1.52	18.000	
1.813	0.688	0.09	18780	18720	3.347	0.531	0.06	0.688	TS
46.038	17.462	2.30			85.000	13.495	1.50	17.462	
1.813	0.688	0.09	18780	18721	3.280	0.531	0.03	0.688	TS
46.038	17.462	2.30			83.312	13.495	0.80	17.462	
1.813	0.688	0.09	18780	18723	3.500	0.656	0.05	0.813	TS
46.038	17.462	2.30			88.900	16.670	1.30	20.638	
1.813	0.688	0.09	18780	18724	3.500	0.531	0.05	0.688	TS
46.038	17.462	2.30			88.900	13.495	1.30	17.462	
1.813	0.688	0.11	18690	18620	3.125	0.531	0.06	0.688	TS
46.038	17.462	2.79			79.375	13.495	1.52	17.462	
1.813	0.688	0.11	18690	18620D	3.125	1.313	0.03	1.625	TDO
46.038	17.462	2.79			79.375	33.338	0.76	41.272	
1.813	0.854	0.09	359-S	352	3.548	0.859	0.09	0.906	TS
46.038	21.692	2.29			90.119	21.808	2.29	23.000	
1.813	0.854	0.09	359-S	354A	3.347	0.688	0.05	0.813	TS
46.038	21.692	2.29			85.000	17.462	1.27	20.638	
1.813	1.000	0.14	25592	25520	3.265	0.750	0.03	0.938	TS
46.038	25.400	3.50			82.931	19.050	0.76	23.812	
1.813	1.000	0.14	25592	25520D	3.265	1.875	0.03	2.250	TDO
46.038	25.400	3.50			82.931	47.625	0.76	57.150	
1.813	1.008	0.14	2984	2924	3.347	0.813	0.05	1.000	TS
46.038	25.608	3.50			85.000	20.638	1.27	25.400	
1.813	1.177	0.14	436	432	3.750	0.875	0.09	1.094	TS
46.038	29.900	3.50			95.250	22.225	2.29	27.783	
1.813	1.177	0.14	436	432-B	3.750	0.875	0.09	0.438	TSF
46.038	29.900	3.50			95.250	22.225	2.29	11.115	
1.813	1.177	0.14	436	432D	3.750	2.000	0.03	2.438	TDO
46.038	29.900	3.50			95.250	50.800	0.76	61.915	

bearing
specification:
0010110111011100110101
0010110111011100110101

TIMKEN®

Tapered Roller Bearings

Bore Size Listing - Continued

Cone			Part Number		Cup			Bearing	
Bore d	Width B	BF Radius R	Cone	Cup	OD D	Width C	BF Radius r	Width T / T1	Brg Type
1.813	1.193	0.14	3777	3720	3.672	0.938	0.13	1.188	TS
46.038	30.302	3.50			93.264	23.812	3.30	30.162	
1.813	1.193	0.14	3777	3729D	3.672	2.063	0.03	2.563	TDO
46.038	30.302	3.50			93.264	52.388	0.76	65.088	
1.875	0.864	0.03	386A	382A	3.813	0.625	0.03	0.827	TS
47.625	21.946	0.76			96.838	15.875	0.76	21.000	
1.875	0.864	0.03	386A	384D	3.937	1.688	0.03	2.063	TDO
47.625	21.946	0.76			100.000	42.862	0.76	52.388	
1.875	0.864	0.03	386A	384ED	3.937	1.562	0.03	1.937	TDO
47.625	21.946	0.76			100.000	39.675	0.76	49.200	
1.875	0.875	0.09	369-S	362A	3.500	0.650	0.05	0.813	TS
47.625	22.225	2.29			88.900	16.513	1.27	20.638	
1.875	0.875	0.09	369-S	363D	3.543	1.656	0.03	1.969	TDO
47.625	22.225	2.29			90.000	42.070	0.76	50.010	
1.875	0.875	0.14	369A	362A	3.500	0.650	0.05	0.813	TS
47.625	22.225	3.50			88.900	16.513	1.27	20.638	
1.875	0.875	0.14	369A	363D	3.543	1.656	0.03	1.969	TDO
47.625	22.225	3.50			90.000	42.070	0.76	50.010	
1.875	1.000	0.03	M804048	M804010	3.500	0.750	0.13	1.000	TS
47.625	25.400	0.76			88.900	19.050	3.30	25.400	
1.875	1.000	0.14	M804049	M804010	3.500	0.750	0.13	1.000	TS
47.625	25.400	3.50			88.900	19.050	3.30	25.400	
1.875	1.059	0.14	55187	55433D	4.330	1.688	0.02	2.500	TDO
47.625	26.909	3.50			109.982	42.865	0.51	63.500	
1.875	1.059	0.14	55187C	55437	4.375	0.813	0.13	1.188	TS
47.625	26.909	3.50			111.125	20.638	3.30	30.162	
1.875	1.154	0.03	467	452D	4.250	2.125	0.03	2.563	TDO
47.625	29.317	0.76			107.950	53.975	0.76	65.090	
1.875	1.154	0.03	467	453X	4.125	0.969	0.13	1.188	TS
47.625	29.317	0.76			104.775	24.605	3.30	30.162	
1.875	1.156	0.14	HM804846	HM804810	3.750	0.906	0.13	1.188	TS
47.625	29.370	3.50			95.250	23.020	3.30	30.162	
1.875	1.193	0.14	3779	3720	3.672	0.938	0.13	1.188	TS
47.625	30.302	3.50			93.264	23.812	3.30	30.162	
1.875	1.193	0.14	3779	3729D	3.672	2.063	0.03	2.563	TDO
47.625	30.302	3.50			93.264	52.388	0.76	65.088	
1.875	1.193	0.25	3778	3720	3.672	0.938	0.13	1.188	TS
47.625	30.302	6.35			93.264	23.812	3.30	30.162	
1.875	1.193	0.25	3778	3729D	3.672	2.063	0.03	2.563	TDO
47.625	30.302	6.35			93.264	52.388	0.76	65.088	
1.875	1.219	0.14	45282	45220	4.125	0.938	0.13	1.188	TS
47.625	30.958	3.50			104.775	23.812	3.30	30.162	
1.875	1.291	0.03	72188C	72487	4.875	1.000	0.13	1.438	TS
47.625	32.791	0.76			123.825	25.400	3.30	36.512	

Tapered Roller Bearings

Bore Size Listing - Continued

Cone			Part Number		Cup			Bearing	
Bore d	Width B	BF Radius R	Cone	Cup	OD D	Width C	BF Radius r	Width T / T1	Brg Type
1.875 47.625	1.291 32.791	0.03 0.76	72188C	72488D	4.875 123.825	2.188 55.562	0.06 1.52	3.062 77.785	TDO
1.875 47.625	1.291 32.791	0.14 3.50	72187C	72487	4.875 123.825	1.000 25.400	0.13 3.30	1.438 36.512	TS
1.875 47.625	1.291 32.791	0.14 3.50	72187C	72500	5.000 127.000	1.000 25.400	0.13 3.30	1.438 36.512	TS
1.875 47.625	1.420 36.068	0.14 3.50	528	522	4.000 101.600	1.063 26.988	0.13 3.30	1.375 34.925	TS
1.906 48.412	1.156 29.370	0.09 2.29	HM804848	HM804810	3.750 95.250	0.906 23.020	0.13 3.30	1.188 30.162	TS
1.906 48.412	1.156 29.370	0.09 2.29	HM804848	HM804811	3.750 95.250	0.906 23.020	0.03 0.76	1.188 30.162	TS
1.906 48.412	1.156 29.370	0.14 3.50	HM804849	HM804810	3.750 95.250	0.906 23.020	0.13 3.30	1.188 30.162	TS
1.913 48.600	0.847 21.500	0.01 0.40	JLM104942A	LM104911A	3.250 82.550	0.730 18.542	0.03 0.80	0.911 23.147	TS
1.938 49.212	0.875 22.225	0.03 0.76	365-S	362A	3.500 88.900	0.650 16.513	0.05 1.27	0.813 20.638	TS
1.938 49.212	0.875 22.225	0.03 0.76	365-S	363D	3.543 90.000	1.656 42.070	0.03 0.76	1.969 50.010	TDO
1.938 49.212	1.193 30.302	0.14 3.50	3781	3720	3.672 93.264	0.938 23.812	0.13 3.30	1.188 30.162	TS
1.938 49.212	1.193 30.302	0.14 3.50	3781	3729D	3.672 93.264	2.063 52.388	0.03 0.76	2.563 65.088	TDO
1.938 49.212	1.438 36.512	0.14 3.50	HM807044	HM807010	4.125 104.775	1.125 28.575	0.13 3.30	1.438 36.512	TS
1.938 49.212	1.750 44.450	0.14 3.50	65390	65320	4.500 114.300	1.375 34.925	0.13 3.30	1.750 44.450	TS
1.938 49.212	1.750 44.450	0.14 3.50	HH506348	HH506310	4.500 114.300	1.420 36.068	0.13 3.30	1.750 44.450	TS
1.938 49.212	1.751 44.475	0.14 3.50	5395	5335	4.063 103.188	1.438 36.512	0.13 3.30	1.719 43.658	TS
1.968 49.987	0.875 22.225	0.02 0.51	LM104947A	LM104911	3.250 82.550	0.650 16.510	0.05 1.27	0.850 21.590	TS
1.968 49.987	0.875 22.225	0.02 0.50	LM104947A	LM104911A	3.250 82.550	0.730 18.542	0.03 0.80	0.930 23.622	TS
1.968 49.987	1.000 25.400	0.09 2.29	28579	28520	3.543 89.980	0.787 19.987	0.09 2.29	0.974 24.750	TS
1.968 49.987	1.000 25.400	0.09 2.29	28579	28521	3.625 92.075	0.781 19.845	0.03 0.76	0.969 24.608	TS
1.968 49.987	1.000 25.400	0.09 2.30	28579	28527RB	3.937 99.995	0.781 19.845	0.02 0.50	0.969 24.608	TS
1.968 49.975	1.059 26.909	0.14 3.50	55196	55433D	4.330 109.982	1.688 42.865	0.02 0.51	2.500 63.500	TDO

bearing
specification:
0010110111011100110101
0010110111011100110101

TIMKEN®

Tapered Roller Bearings

Bore Size Listing - Continued

Cone			Part Number		Cup			Bearing	
Bore d	Width B	BF Radius R	Cone	Cup	OD D	Width C	BF Radius r	Width T / T1	Brg Type
1.969	0.787	0.04	32010X	-	3.150	0.610	0.04	0.787	TS
50.000	20.000	1.02			80.000	15.500	1.02	20.000	
1.969	0.787	0.06	30210	-	3.543	0.669	0.06	0.856	TS
50.000	20.000	1.50			90.000	17.000	1.50	21.750	
1.969	0.787	0.06	30210M	-	3.543	0.669	0.06	0.856	TS
50.000	20.000	1.50			90.000	17.000	1.50	21.750	
1.969	0.787	0.09	XAA32010X	Y32010X	3.150	0.610	0.04	0.787	TS
50.000	20.000	2.29			80.000	15.500	1.02	20.000	
1.969	0.787	0.17	517012	-	3.032	0.591	0.07	0.807	TS
50.000	20.000	4.44			77.000	15.000	1.77	22.030	
1.969	0.847	0.12	JLM104948	JLM104910	3.228	0.669	0.02	0.847	TS
50.000	21.500	3.05			82.000	17.000	0.51	21.500	
1.969	0.847	0.12	JLM104948	LM104911A	3.250	0.730	0.03	0.911	TS
50.000	21.500	3.00			82.550	18.542	0.80	23.147	
1.969	0.866	0.03	396	394A	4.331	0.741	0.05	0.866	TS
50.000	21.996	0.76			110.000	18.825	1.27	22.000	
1.969	0.866	0.03	396	394D	4.331	1.813	0.03	2.063	TDO
50.000	21.996	0.76			110.000	46.038	0.76	52.388	
1.969	0.866	0.14	JLM704649	JLM704610	3.307	0.689	0.06	0.866	TS
50.000	22.000	3.50			84.000	17.500	1.52	22.000	
1.969	0.875	0.08	365	362A	3.500	0.650	0.05	0.813	TS
50.000	22.225	2.03			88.900	16.513	1.27	20.638	
1.969	0.875	0.08	365	363D	3.543	1.656	0.03	1.969	TDO
50.000	22.225	2.03			90.000	42.070	0.76	50.010	
1.969	0.875	0.09	366	362A	3.500	0.650	0.05	0.813	TS
50.000	22.225	2.29			88.900	16.513	1.27	20.638	
1.969	0.875	0.09	366	363D	3.543	1.656	0.03	1.969	TDO
50.000	22.225	2.29			90.000	42.070	0.76	50.010	
1.969	0.906	0.06	32210	-	3.543	0.748	0.06	0.974	TS
50.000	23.000	1.50			90.000	19.000	1.50	24.750	
1.969	0.906	0.06	32210M	-	3.543	0.748	0.06	0.974	TS
50.000	23.000	1.50			90.000	19.000	1.52	24.750	
1.969	0.945	0.14	JLM104946	LM104911A	3.250	0.730	0.03	0.911	TS
50.000	23.993	3.50			82.550	18.542	0.80	23.147	
1.969	0.945	0.04	33010	-	3.150	0.748	0.04	0.945	TS
50.000	24.000	1.02			80.000	19.000	1.02	24.000	
1.969	1.024	0.06	33110	-	3.347	0.787	0.06	1.024	TS
50.000	26.000	1.52			85.000	20.000	1.52	26.000	
1.969	1.063	0.10	30310	-	4.331	0.906	0.08	1.152	TS
50.000	27.000	2.54			110.000	23.000	2.03	29.250	
1.969	1.063	0.10	31310M	-	4.331	0.748	0.08	1.152	TS
50.000	27.000	2.54			110.000	19.000	2.03	29.250	
1.969	1.091	0.12	JLM104945	LM104911A	3.250	0.730	0.03	0.911	TS
50.000	27.700	3.00			82.550	18.542	0.80	23.147	

Tapered Roller Bearings

Bore Size Listing - Continued

Cone			Part Number		Cup			Bearing	
Bore d	Width B	BF Radius R	Cone	Cup	OD D	Width C	BF Radius r	Width T / T1	Brg Type
1.969 50.000	1.102 28.000	0.12 3.05	JM205149	JM205110	3.543 90.000	0.906 23.000	0.10 2.54	1.102 28.000	TS
1.969 50.000	1.102 28.000	0.20 5.00	JM205149A	JM205110	3.543 90.000	0.906 23.000	0.10 2.54	1.102 28.000	TS
1.969 50.000	1.142 29.000	0.12 3.05	JW5049	JW5010	4.134 105.000	0.866 22.000	0.12 3.05	1.260 32.000	TS
1.969 50.000	1.260 32.000	0.06 1.52	33210	-	3.543 90.000	0.965 24.500	0.06 1.52	1.260 32.000	TS
1.969 50.000	1.319 33.500	0.08 2.03	XLA33211	Y33211	3.937 100.000	1.063 27.000	0.06 1.52	1.319 33.500	TS
1.969 50.000	1.417 36.000	0.12 3.05	JHM807045	JHM807012	4.134 105.000	1.142 29.000	0.10 2.54	1.457 37.000	TS
1.969 50.000	1.575 40.000	0.10 2.54	32310	-	4.331 110.000	1.299 33.000	0.08 2.03	1.663 42.250	TS
1.969 50.000	1.575 40.000	0.10 2.54	32310-B	-	4.331 110.000	1.299 33.000	0.08 2.03	1.663 42.250	TS
1.969 50.000	1.750 44.445	0.14 3.50	513047	-	114.300 4.500	1.375 34.925	0.13 3.30	1.750 44.450	TS
2.000 50.800	0.500 12.700	0.06 1.52	LL205449	LL205410	3.063 77.788	0.375 9.525	0.06 1.52	0.500 12.700	TS
2.000 50.800	0.688 17.462	0.14 3.50	18790	18720	3.347 85.000	0.531 13.495	0.06 1.52	0.688 17.462	TS
2.000 50.800	0.688 17.462	0.14 3.50	18790	18724	3.500 88.900	0.531 13.495	0.05 1.27	0.688 17.462	TS
2.000 50.800	0.719 18.258	0.06 1.52	L305649	L305610	3.188 80.962	0.563 14.288	0.06 1.52	0.719 18.258	TS
2.000 50.800	0.719 18.258	0.06 1.52	L305649	L305610-B	3.188 80.962	0.563 14.288	0.06 1.52	0.281 7.145	TSF
2.000 50.800	0.719 18.263	0.06 1.52	18200	18337	3.375 85.725	0.500 12.700	0.06 1.52	0.750 19.050	TS
2.000 50.800	0.864 21.946	0.03 0.76	385AX	382A	3.813 96.838	0.625 15.875	0.03 0.76	0.827 21.000	TS
2.000 50.800	0.864 21.946	0.03 0.76	385AX	384D	3.937 100.000	1.688 42.862	0.03 0.76	2.063 52.388	TDO
2.000 50.800	0.864 21.946	0.03 0.76	385AX	384ED	3.937 100.000	1.562 39.675	0.03 0.76	1.937 49.200	TDO
2.000 50.800	0.864 21.946	0.09 2.29	385A	382A	3.813 96.838	0.625 15.875	0.03 0.76	0.827 21.000	TS
2.000 50.800	0.864 21.946	0.09 2.29	385A	384D	3.937 100.000	1.688 42.862	0.03 0.76	2.063 52.388	TDO
2.000 50.800	0.864 21.946	0.09 2.29	385A	384ED	3.937 100.000	1.562 39.675	0.03 0.76	1.937 49.200	TDO
2.000 50.800	0.866 21.996	0.03 0.76	398	394A	4.331 110.000	0.741 18.825	0.05 1.27	0.866 22.000	TS

bearing
specification:
0010110111011100110101
0010110111011100110101



Tapered Roller Bearings

Bore Size Listing - Continued

Cone			Cup			Bearing			Brg Type
Bore d	Width B	BF Radius R	Part Number		OD D	Width C	BF Radius r	Width T / T1	
			Cone	Cup					
2.000	0.866	0.03	398	394D	4.331	1.813	0.03	2.063	TDO
50.800	21.996	0.76			110.000	46.038	0.76	52.388	
2.000	0.875	0.06	368	362A	3.500	0.650	0.05	0.813	TS
50.800	22.225	1.52			88.900	16.513	1.27	20.638	
2.000	0.875	0.06	368	363D	3.543	1.656	0.03	1.969	TDO
50.800	22.225	1.52			90.000	42.070	0.76	50.010	
2.000	0.875	0.09	375	374	3.672	0.594	0.05	0.813	TS
50.800	22.225	2.29			93.264	15.083	1.27	20.638	
2.000	0.875	0.14	368A	362	3.543	0.625	0.08	0.787	TS
50.800	22.225	3.50			90.000	15.875	2.03	20.000	
2.000	0.875	0.14	368A	362-B	3.543	0.625	0.03	0.350	TSF
50.800	22.225	3.50			90.000	15.875	0.76	8.887	
2.000	0.875	0.14	368A	362A	3.500	0.650	0.05	0.813	TS
50.800	22.225	3.50			88.900	16.513	1.27	20.638	
2.000	0.875	0.14	368A	363	3.543	0.787	0.03	0.787	TS
50.800	22.225	3.50			90.000	20.000	0.76	20.000	
2.000	0.875	0.14	368A	363D	3.543	1.656	0.03	1.969	TDO
50.800	22.225	3.50			90.000	42.070	0.76	50.010	
2.000	0.875	0.14	LM104949	LM104911	3.250	0.650	0.05	0.850	TS
50.800	22.225	3.50			82.550	16.510	1.27	21.590	
2.000	0.875	0.14	LM104949	LM104911A	3.250	0.730	0.03	0.930	TS
50.800	22.225	3.50			82.550	18.542	0.80	23.622	
2.000	0.875	0.14	LM104949	LM104912	3.265	0.650	0.05	0.850	TS
50.800	22.225	3.50			82.931	16.510	1.27	21.590	
2.000	0.875	0.14	LM104949P	LM104911A	3.250	0.730	0.03	0.930	TS
50.800	22.225	3.50			82.550	18.542	0.80	23.622	
2.000	0.875	0.20	370A	362A	3.500	0.650	0.05	0.813	TS
50.800	22.225	5.00			88.900	16.513	1.27	20.638	
2.000	0.875	0.20	370A	363D	3.543	1.656	0.03	1.969	TDO
50.800	22.225	5.00			90.000	42.070	0.76	50.010	
2.000	0.969	0.14	28678	28622	3.844	0.766	0.03	0.969	TS
50.800	24.608	3.50			97.630	19.446	0.76	24.608	
2.000	1.000	0.03	28580A	28521	3.625	0.781	0.03	0.969	TS
50.800	25.400	0.76			92.075	19.845	0.76	24.608	
2.000	1.000	0.03	28580A	28527RB	3.937	0.781	0.02	0.969	TS
50.800	25.400	0.80			99.995	19.845	0.50	24.608	
2.000	1.000	0.14	28580	28521	3.625	0.781	0.03	0.969	TS
50.800	25.400	3.50			92.075	19.845	0.76	24.608	
2.000	1.000	0.14	28580	28527RB	3.937	0.781	0.02	0.969	TS
50.800	25.400	3.50			99.995	19.845	0.50	24.608	
2.000	1.059	0.14	55200	55433D	4.330	1.688	0.02	2.500	TDO
50.800	26.909	3.50			109.982	42.865	0.51	63.500	
2.000	1.059	0.14	55200C	55437	4.375	0.813	0.13	1.188	TS
50.800	26.909	3.50			111.125	20.638	3.30	30.162	

Tapered Roller Bearings

Bore Size Listing - Continued

Bore d	Cone		Part Number		Cup			Bearing	
	Width B	BF Radius R	Cone	Cup	OD D	Width C	BF Radius r	Width T / T1	Brg Type
2.000	1.059	0.14	55200C	55437-B	4.375	0.813	0.13	0.594	TSF
50.800	26.909	3.50			111.125	20.638	3.30	15.083	
2.000	1.059	0.14	55200C	55443	4.438	0.813	0.13	1.188	TS
50.800	26.909	3.50			112.712	20.638	3.30	30.162	
2.000	1.125	0.14	33889	33821	3.750	0.875	0.09	1.094	TS
50.800	28.575	3.50			95.250	22.225	2.29	27.783	
2.000	1.125	0.14	33889	33821D	3.750	2.062	0.03	2.500	TDO
50.800	28.575	3.50			95.250	52.385	0.76	63.500	
2.000	1.125	0.14	HM907643	HM907614	4.375	0.813	0.13	1.188	TS
50.800	28.575	3.50			111.125	20.638	3.30	30.162	
2.000	1.154	0.03	455	452D	4.250	2.125	0.03	2.563	TDO
50.800	29.317	0.76			107.950	53.975	0.76	65.090	
2.000	1.154	0.03	455	453X	4.125	0.969	0.13	1.188	TS
50.800	29.317	0.76			104.775	24.605	3.30	30.162	
2.000	1.154	0.14	455-S	452D	4.250	2.125	0.03	2.563	TDO
50.800	29.317	3.50			107.950	53.975	0.76	65.090	
2.000	1.154	0.14	455-S	453X	4.125	0.969	0.13	1.188	TS
50.800	29.317	3.50			104.775	24.605	3.30	30.162	
2.000	1.183	0.14	3975	3920	4.438	0.938	0.13	1.188	TS
50.800	30.048	3.50			112.712	23.812	3.30	30.162	
2.000	1.188	0.03	39573	39520	4.438	0.938	0.13	1.188	TS
50.800	30.162	0.76			112.712	23.812	3.30	30.162	
2.000	1.188	0.14	39575	39520	4.438	0.938	0.13	1.188	TS
50.800	30.162	3.50			112.712	23.812	3.30	30.162	
2.000	1.193	0.03	3775	3720	3.672	0.938	0.13	1.188	TS
50.800	30.302	0.76			93.264	23.812	3.30	30.162	
2.000	1.193	0.14	3780	3720	3.672	0.938	0.13	1.188	TS
50.800	30.302	3.50			93.264	23.812	3.30	30.162	
2.000	1.193	0.14	3780	3720-B	3.672	0.938	0.13	0.438	TSF
50.800	30.302	3.50			93.264	23.812	3.30	11.112	
2.000	1.193	0.14	3780	3726	3.750	0.938	0.13	1.188	TS
50.800	30.302	3.50			95.250	23.812	3.30	30.162	
2.000	1.193	0.14	3780	3729D	3.672	2.063	0.03	2.563	TDO
50.800	30.302	3.50			93.264	52.388	0.76	65.088	
2.000	1.193	0.14	3780	3730	3.672	0.938	0.03	1.188	TS
50.800	30.302	3.50			93.264	23.812	0.76	30.162	
2.000	1.193	0.14	3780	3732	3.875	0.938	0.13	1.188	TS
50.800	30.302	3.50			98.425	23.812	3.30	30.162	
2.000	1.193	0.14	3795	3720	3.672	0.938	0.13	1.188	TS
50.800	30.302	3.50			93.264	23.812	3.30	30.162	
2.000	1.193	0.14	3795	3720V	3.672	0.938	0.13	1.188	TS
50.800	30.302	3.50			93.264	23.812	3.30	30.162	
2.000	1.193	0.14	3795	3726	3.750	0.938	0.13	1.188	TS
50.800	30.302	3.50			95.250	23.812	3.30	30.162	

Tapered Roller Bearings

Bore Size Listing - Continued

Cone			Part Number		Cup			Bearing	
Bore d	Width B	BF Radius R	Cone	Cup	OD D	Width C	BF Radius r	Width T / T1	Brg Type
2.000	1.193	0.14	3795	3727	3.688	0.938	0.13	1.188	TS
50.800	30.302	3.50			93.662	23.812	3.30	30.162	
2.000	1.193	0.14	3795	3730	3.672	0.938	0.03	1.188	TS
50.800	30.302	3.50			93.264	23.812	0.80	30.162	
2.000	1.193	0.14	3795	3731	3.936	0.938	0.13	1.188	TS
50.800	30.302	3.50			99.979	23.812	3.30	30.162	
2.000	1.193	0.14	3795	3732	3.875	0.938	0.13	1.188	TS
50.800	30.302	3.50			98.425	23.812	3.30	30.162	
2.000	1.193	0.14	3795	3733	3.939	0.938	0.03	1.188	TS
50.800	30.302	3.50			100.038	23.812	0.80	30.162	
2.000	1.193	0.14	3795	3735	3.939	0.938	0.13	1.185	TS
50.800	30.302	3.50			100.040	23.812	3.30	30.099	
2.000	1.193	0.25	3784	3720	3.672	0.938	0.13	1.188	TS
50.800	30.302	6.35			93.264	23.812	3.30	30.162	
2.000	1.193	0.25	3784	3729D	3.672	2.063	0.03	2.563	TDO
50.800	30.302	6.35			93.264	52.388	0.76	65.088	
2.000	1.219	0.03	45285A	45220	4.125	0.938	0.13	1.188	TS
50.800	30.958	0.76			104.775	23.812	3.30	30.162	
2.000	1.219	0.09	45285	45220	4.125	0.938	0.13	1.188	TS
50.800	30.958	2.29			104.775	23.812	3.30	30.162	
2.000	1.219	0.25	45284	45220	4.125	0.938	0.13	1.188	TS
50.800	30.958	6.35			104.775	23.812	3.30	30.162	
2.000	1.250	0.14	49585	49520	4.000	1.000	0.13	1.250	TS
50.800	31.750	3.50			101.600	25.400	3.30	31.750	
2.000	1.250	0.14	66200	66462	4.625	0.938	0.13	1.313	TS
50.800	31.750	3.50			117.475	23.812	3.30	33.338	
2.000	1.250	0.14	66200	66462D	4.625	2.125	0.03	2.875	TDO
50.800	31.750	3.50			117.475	53.975	0.76	73.025	
2.000	1.291	0.03	72201C	72487	4.875	1.000	0.13	1.438	TS
50.800	32.791	0.76			123.825	25.400	3.30	36.512	
2.000	1.291	0.03	72201C	72488D	4.875	2.188	0.06	3.062	TDO
50.800	32.791	0.76			123.825	55.562	1.52	77.785	
2.000	1.291	0.14	72200C	72487	4.875	1.000	0.13	1.438	TS
50.800	32.791	3.50			123.825	25.400	3.30	36.512	
2.000	1.291	0.14	72200C	72488D	4.875	2.188	0.06	3.062	TDO
50.800	32.791	3.50			123.825	55.562	1.52	77.785	
2.000	1.420	0.03	529	522	4.000	1.063	0.13	1.375	TS
50.800	36.068	0.76			101.600	26.988	3.30	34.925	
2.000	1.420	0.14	529X	522	4.000	1.063	0.13	1.375	TS
50.800	36.068	3.50			101.600	26.988	3.30	34.925	
2.000	1.438	0.03	59201	59412	4.125	1.125	0.13	1.438	TS
50.800	36.512	0.76			104.775	28.575	3.30	36.512	
2.000	1.438	0.14	59200	59412	4.125	1.125	0.13	1.438	TS
50.800	36.512	3.50			104.775	28.575	3.30	36.512	

Tapered Roller Bearings

Bore Size Listing - Continued

Cone			Part Number		Cup			Bearing	
Bore d	Width B	BF Radius R	Cone	Cup	OD D	Width C	BF Radius r	Width T / T1	Brg Type
2.000	1.438	0.14	HM807046	HM807010	4.125	1.125	0.13	1.438	TS
50.800	36.512	3.50			104.775	28.575	3.30	36.512	
2.000	1.444	0.09	555	552A	4.875	1.188	0.13	1.500	TS
50.800	36.678	2.29			123.825	30.162	3.30	38.100	
2.000	1.444	0.09	555	552D	4.875	2.500	0.06	3.125	TDO
50.800	36.678	2.29			123.825	63.500	1.52	79.375	
2.000	1.455	0.14	537	532X	4.250	1.125	0.13	1.438	TS
50.800	36.957	3.50			107.950	28.575	3.30	36.512	
2.000	1.581	0.14	4580	4535	4.125	1.313	0.13	1.563	TS
50.800	40.157	3.50			104.775	33.338	3.30	39.688	
2.000	1.625	0.14	619	612	4.750	1.250	0.13	1.625	TS
50.800	41.275	3.50			120.650	31.750	3.30	41.275	
2.000	1.723	0.05	5565	5535	4.813	1.438	0.13	1.719	TS
50.800	43.764	1.27			122.238	36.512	3.30	43.658	
2.000	1.750	0.14	65200	65500	5.000	1.375	0.13	1.750	TS
50.800	44.450	3.50			127.000	34.925	3.30	44.450	
2.001	1.378	0.08	XGA33211	Y33211	3.937	1.063	0.06	1.378	TS
50.815	35.000	2.03			100.000	27.000	1.52	35.000	
2.031	0.875	0.08	368-S	362-B	3.543	0.625	0.03	0.350	TSF
51.592	22.225	2.03			90.000	15.875	0.76	8.887	
2.031	0.875	0.08	368-S	362A	3.500	0.650	0.05	0.813	TS
51.592	22.225	2.03			88.900	16.513	1.27	20.638	
2.031	0.875	0.08	368-S	363D	3.543	1.656	0.03	1.969	TDO
51.592	22.225	2.03			90.000	42.070	0.76	50.010	
2.063	1.000	0.14	28584	28521	3.625	0.781	0.03	0.969	TS
52.388	25.400	3.50			92.075	19.845	0.76	24.608	
2.063	1.000	0.14	28584	28527RB	3.937	0.781	0.02	0.969	TS
52.388	25.400	3.50			99.995	19.845	0.50	24.608	
2.063	1.059	0.14	55206	55437	4.375	0.813	0.13	1.188	TS
52.388	26.909	3.50			111.125	20.638	3.30	30.162	
2.063	1.059	0.14	55206	55443	4.438	0.813	0.13	1.188	TS
52.388	26.909	3.50			112.712	20.638	3.30	30.162	
2.063	1.059	0.14	55206C	55437	4.375	0.813	0.13	1.188	TS
52.388	26.909	3.50			111.125	20.638	3.30	30.162	
2.063	1.059	0.14	55206C	55437-B	4.375	0.813	0.13	0.594	TSF
52.388	26.909	3.50			111.125	20.638	3.30	15.083	
2.063	1.125	0.06	33890	33821	3.750	0.875	0.09	1.094	TS
52.388	28.575	1.52			95.250	22.225	2.29	27.783	
2.063	1.125	0.06	33890	33821D	3.750	2.062	0.03	2.500	TDO
52.388	28.575	1.52			95.250	52.385	0.76	63.500	
2.063	1.125	0.14	33891	33821	3.750	0.875	0.09	1.094	TS
52.388	28.575	3.50			95.250	22.225	2.29	27.783	
2.063	1.125	0.14	33891	33821D	3.750	2.062	0.03	2.500	TDO
52.388	28.575	3.50			95.250	52.385	0.76	63.500	

Tapered Roller Bearings

Bore Size Listing - Continued

Cone			Part Number		Cup			Bearing	
Bore d	Width B	BF Radius R	Cone	Cup	OD D	Width C	BF Radius r	Width T / T1	Brg Type
2.063 52.388	1.154 29.317	0.06 1.52	468	452D	4.250 107.950	2.125 53.975	0.03 0.76	2.563 65.090	TDO
2.063 52.388	1.154 29.317	0.06 1.52	468	453X	4.125 104.775	0.969 24.605	0.13 3.30	1.188 30.162	TS
2.063 52.388	1.193 30.302	0.09 2.29	3767	3720	3.672 93.264	0.938 23.812	0.13 3.30	1.188 30.162	TS
2.063 52.388	1.193 30.302	0.09 2.29	3767	3729D	3.672 93.264	2.063 52.388	0.03 0.76	2.563 65.088	TDO
2.125 53.975	0.719 18.258	0.06 1.52	L507945	L507910	3.438 87.312	0.563 14.288	0.06 1.52	0.719 18.258	TS
2.125 53.975	0.750 19.050	0.09 2.29	LM806649	LM806610	3.500 88.900	0.531 13.492	0.08 2.03	0.750 19.050	TS
2.125 53.975	0.864 21.946	0.03 0.76	389A	382A	3.813 96.838	0.625 15.875	0.03 0.76	0.827 21.000	TS
2.125 53.975	0.864 21.946	0.03 0.76	389A	384D	3.937 100.000	1.688 42.862	0.03 0.76	2.063 52.388	TDO
2.125 53.975	0.864 21.946	0.03 0.76	389A	384ED	3.937 100.000	1.562 39.675	0.03 0.76	1.937 49.200	TDO
2.125 53.975	1.059 26.909	0.14 3.50	55212C	55434	4.330 109.985	0.777 19.726	0.12 3.05	1.152 29.251	TS
2.125 53.975	1.125 28.575	0.06 1.52	33895	33820-B	3.672 93.264	0.875 22.225	0.03 0.76	0.406 10.320	TSF
2.125 53.975	1.125 28.575	0.06 1.52	33895	33821	3.750 95.250	0.875 22.225	0.09 2.29	1.094 27.783	TS
2.125 53.975	1.125 28.575	0.06 1.52	33895	33821D	3.750 95.250	2.062 52.385	0.03 0.76	2.500 63.500	TDO
2.125 53.975	1.125 28.575	0.06 1.52	33895	33822	3.750 95.250	0.875 22.225	0.03 0.76	1.094 27.783	TS
2.125 53.975	1.154 29.317	0.14 3.50	456	452D	4.250 107.950	2.125 53.975	0.03 0.76	2.563 65.090	TDO
2.125 53.975	1.154 29.317	0.14 3.50	456	453X	4.125 104.775	0.969 24.605	0.13 3.30	1.188 30.162	TS
2.125 53.975	1.188 30.162	0.14 3.50	39578	39520	4.438 112.712	0.938 23.812	0.13 3.30	1.188 30.162	TS
2.125 53.975	1.219 30.958	0.03 0.76	45287	45220	4.125 104.775	0.938 23.812	0.13 3.30	1.188 30.162	TS
2.125 53.975	1.250 31.750	0.14 3.50	66212	66462	4.625 117.475	0.938 23.812	0.13 3.30	1.313 33.338	TS
2.125 53.975	1.250 31.750	0.14 3.50	66212	66462D	4.625 117.475	2.125 53.975	0.03 0.76	2.875 73.025	TDO
2.125 53.975	1.250 31.750	0.14 3.50	66584	66520	4.813 122.238	0.938 23.812	0.13 3.30	1.313 33.338	TS
2.125 53.975	1.291 32.791	0.14 3.50	72212C	72487	4.875 123.825	1.000 25.400	0.13 3.30	1.438 36.512	TS

Tapered Roller Bearings

Bore Size Listing - Continued

Cone			Part Number		Cup			Bearing	
Bore d	Width B	BF Radius R	Cone	Cup	OD D	Width C	BF Radius r	Width T / T1	Brg Type
2.125	1.291	0.14	72212C	72488D	4.875	2.188	0.06	3.062	TDO
53.975	32.791	3.50			123.825	55.562	1.52	77.785	
2.125	1.309	0.14	78215C	78551	5.513	0.926	0.09	1.438	TS
53.975	33.236	3.50			140.030	23.520	2.29	36.512	
2.125	1.313	0.14	HM911242	HM911210	5.125	0.938	0.13	1.438	TS
53.975	33.338	3.50			130.175	23.812	3.30	36.512	
2.125	1.438	0.06	HM807049A	HM807010	4.125	1.125	0.13	1.438	TS
53.975	36.512	1.52			104.775	28.575	3.30	36.512	
2.125	1.438	0.14	HM807049	HM807010	4.125	1.125	0.13	1.438	TS
53.975	36.512	3.50			104.775	28.575	3.30	36.512	
2.125	1.444	0.14	557-S	552A	4.875	1.188	0.13	1.500	TS
53.975	36.678	3.50			123.825	30.162	3.30	38.100	
2.125	1.444	0.14	557-S	552D	4.875	2.500	0.06	3.125	TDO
53.975	36.678	3.50			123.825	63.500	1.52	79.375	
2.125	1.455	0.14	539	532A	4.375	1.188	0.13	1.500	TS
53.975	36.957	3.50			111.125	30.162	3.30	38.100	
2.125	1.455	0.14	539	532X	4.250	1.125	0.13	1.438	TS
53.975	36.957	3.50			107.950	28.575	3.30	36.512	
2.125	1.455	0.22	539A	532X	4.250	1.125	0.13	1.438	TS
53.975	36.957	5.50			107.950	28.575	3.30	36.512	
2.125	1.581	0.14	4595	4535	4.125	1.313	0.13	1.563	TS
53.975	40.157	3.50			104.775	33.338	3.30	39.688	
2.125	1.625	0.03	624	613-B	4.750	1.375	0.13	0.500	TSF
53.975	41.275	0.80			120.650	34.925	3.30	12.700	
2.125	1.625	0.14	621	612	4.750	1.250	0.13	1.625	TS
53.975	41.275	3.50			120.650	31.750	3.30	41.275	
2.125	1.625	0.14	621	612-B	4.750	1.250	0.13	0.656	TSF
53.975	41.275	3.50			120.650	31.750	3.30	16.667	
2.125	1.625	0.14	636	632	5.375	1.250	0.13	1.625	TS
53.975	41.275	3.50			136.525	31.750	3.30	41.275	
2.125	1.625	0.14	636	632D	5.375	3.000	0.06	3.750	TDO
53.975	41.275	3.50			136.525	76.200	1.52	95.250	
2.125	1.723	0.05	5577	5535	4.813	1.438	0.13	1.719	TS
53.975	43.764	1.27			122.238	36.512	3.30	43.658	
2.125	1.723	0.14	5578	5535	4.813	1.438	0.13	1.719	TS
53.975	43.764	3.50			122.238	36.512	3.30	43.658	
2.125	1.750	0.14	65212	65500	5.000	1.375	0.13	1.750	TS
53.975	44.450	3.50			127.000	34.925	3.30	44.450	
2.125	1.750	0.14	65212	65501	5.000	1.375	0.05	1.750	TS
53.975	44.450	3.50			127.000	34.925	1.30	44.450	
2.125	1.750	0.14	65212	65537	5.375	1.438	0.12	1.813	TS
53.975	44.450	3.50			136.525	36.512	3.00	46.037	
2.125	2.063	0.14	6280	6220	5.000	1.625	0.13	2.000	TS
53.975	52.388	3.50			127.000	41.275	3.30	50.800	

bearing
specification:
0010110111011100110101
0010110111011100110101

TIMKEN®

Tapered Roller Bearings

Bore Size Listing - Continued

Cone			Part Number		Cup			Bearing	
Bore d	Width B	BF Radius R	Cone	Cup	OD D	Width C	BF Radius r	Width T / T1	Brg Type
2.145	1.438	0.14	HM807048	HM807010	4.125	1.125	0.13	1.438	TS
54.487	36.512	3.50			104.775	28.575	3.30	36.512	
2.165	0.827	0.08	30211	-	3.937	0.709	0.06	0.896	TS
55.000	21.000	2.00			100.000	18.000	1.50	22.750	
2.165	0.827	0.08	30211M	-	3.937	0.709	0.06	0.896	TS
55.000	21.000	2.00			100.000	18.000	1.50	22.750	
2.165	0.864	0.09	385	382A	3.813	0.625	0.03	0.827	TS
55.000	21.946	2.29			96.838	15.875	0.76	21.000	
2.165	0.864	0.09	385	384D	3.937	1.688	0.03	2.063	TDO
55.000	21.946	2.29			100.000	42.862	0.76	52.388	
2.165	0.864	0.09	385	384ED	3.937	1.562	0.03	1.937	TDO
55.000	21.946	2.29			100.000	39.675	0.76	49.200	
2.165	0.864	0.14	385X	382A	3.813	0.625	0.03	0.827	TS
55.000	21.946	3.50			96.838	15.875	0.76	21.000	
2.165	0.864	0.14	385X	384D	3.937	1.688	0.03	2.063	TDO
55.000	21.946	3.50			100.000	42.862	0.76	52.388	
2.165	0.864	0.14	385X	384ED	3.937	1.562	0.03	1.937	TDO
55.000	21.946	3.50			100.000	39.675	0.76	49.200	
2.165	0.906	0.06	32011X	-	3.543	0.689	0.06	0.906	TS
55.000	23.000	1.52			90.000	17.500	1.52	23.000	
2.165	0.906	0.06	32011XM	-	3.543	0.689	0.06	0.906	TS
55.000	23.000	1.52			90.000	17.500	1.52	23.000	
2.165	0.906	0.06	JLM506849	JLM506810	3.543	0.728	0.02	0.906	TS
55.000	23.000	1.52			90.000	18.500	0.51	23.000	
2.165	0.906	0.14	JLM506849A	JLM506810	3.543	0.728	0.02	0.906	TS
55.000	23.000	3.50			90.000	18.500	0.51	23.000	
2.165	0.906	0.14	JLM506849A	JLM506811	3.543	0.807	0.02	0.984	TS
55.000	23.000	3.50			90.000	20.500	0.51	25.000	
2.165	0.984	0.08	32211	-	3.937	0.827	0.06	1.053	TS
55.000	25.000	2.00			100.000	21.000	1.50	26.749	
2.165	0.984	0.08	32211M	-	3.937	0.827	0.06	1.053	TS
55.000	25.000	2.00			100.000	21.000	1.52	26.750	
2.165	1.063	0.06	33011	-	3.543	0.827	0.06	1.063	TS
55.000	27.000	1.52			90.000	21.000	1.52	27.000	
2.165	1.142	0.06	JM207049	JM207010	3.740	0.925	0.10	1.142	TS
55.000	29.000	1.52			95.000	23.500	2.54	29.000	
2.165	1.142	0.10	30311	-	4.724	0.984	0.08	1.240	TS
55.000	29.000	2.54			120.000	25.000	2.03	31.500	
2.165	1.142	0.10	31311M	-	4.724	0.827	0.08	1.240	TS
55.000	29.000	2.54			120.000	21.000	2.03	31.500	
2.165	1.142	0.24	JM207049A	JM207010	3.740	0.925	0.10	1.142	TS
55.000	29.000	6.00			95.000	23.500	2.54	29.000	
2.165	1.142	0.03	475	472	4.724	0.954	0.08	1.173	TS
55.000	29.007	0.76			120.000	24.237	2.03	29.794	

Tapered Roller Bearings

Bore Size Listing - Continued

Cone			Part Number		Cup			Bearing	
Bore d	Width B	BF Radius R	Cone	Cup	OD D	Width C	BF Radius r	Width T / T1	Brg Type
2.165 55.000	1.142 29.007	0.03 0.76	475	472D	4.724 120.000	2.125 53.975	0.03 0.76	2.563 65.090	TDO
2.165 54.987	1.154 29.317	0.09 2.29	466	452D	4.250 107.950	2.125 53.975	0.03 0.76	2.563 65.090	TDO
2.165 54.987	1.154 29.317	0.09 2.29	466	453X	4.125 104.775	0.969 24.605	0.13 3.30	1.188 30.162	TS
2.165 55.000	1.181 30.000	0.06 1.52	33111	-	3.740 95.000	0.906 23.000	0.06 1.52	1.181 30.000	TS
2.165 55.000	1.221 31.000	0.12 3.05	JW5549	JW5510	4.528 115.000	0.925 23.500	0.12 3.05	1.339 34.000	TS
2.165 55.000	1.378 35.000	0.08 2.03	33211	-	3.937 100.000	1.063 27.000	0.06 1.52	1.378 35.000	TS
2.165 55.000	1.535 39.000	0.12 3.05	JH307749	JH307710	4.331 110.000	1.260 32.000	0.10 2.54	1.535 39.000	TS
2.165 55.000	1.575 40.000	0.26 6.50	513046	-	110.000 4.331	1.299 33.000	0.10 2.50	1.663 42.250	TS
2.165 55.000	1.693 43.000	0.10 2.54	32311-BM	-	4.724 120.000	1.378 35.000	0.08 2.03	1.791 45.500	TS
2.165 55.000	1.693 43.000	0.10 2.54	32311M	-	4.724 120.000	1.378 35.000	0.08 2.03	1.791 45.500	TS
2.165 54.987	2.205 56.007	0.14 3.50	6381	6320	5.345 135.755	1.750 44.450	0.13 3.30	2.125 53.975	TS
2.165 54.987	2.598 65.989	0.09 2.29	78216D	78537	5.375 136.525	0.926 23.520	0.13 3.30	2.602 66.091	TDI
2.165 54.987	2.598 65.989	0.09 2.29	78216D	78551	5.513 140.030	0.926 23.520	0.09 2.29	2.602 66.091	TDI
2.188 55.575	0.864 21.946	0.09 2.29	389	382A	3.813 96.838	0.625 15.875	0.03 0.76	0.827 21.000	TS
2.188 55.575	0.864 21.946	0.09 2.29	389	384D	3.937 100.000	1.688 42.862	0.03 0.76	2.063 52.388	TDO
2.188 55.575	0.864 21.946	0.09 2.29	389	384ED	3.937 100.000	1.562 39.675	0.03 0.76	1.937 49.200	TDO
2.188 55.562	0.969 24.608	0.14 3.50	28680	28622	3.844 97.630	0.766 19.446	0.03 0.76	0.969 24.608	TS
2.188 55.562	1.291 32.791	0.14 3.50	72218C	72487	4.875 123.825	1.000 25.400	0.13 3.30	1.438 36.512	TS
2.188 55.562	1.291 32.791	0.14 3.50	72218C	72488D	4.875 123.825	2.188 55.562	0.06 1.52	3.062 77.785	TDO
2.188 55.562	1.438 36.512	0.14 3.50	HM813840	HM813810	5.000 127.000	1.063 26.988	0.13 3.30	1.438 36.512	TS
2.250 57.150	0.719 18.258	0.06 1.52	L507949	L507910	3.438 87.312	0.563 14.288	0.06 1.52	0.719 18.258	TS
2.250 57.150	0.719 18.258	0.06 1.52	L507949	L507910-B	3.438 87.312	0.563 14.288	0.06 1.52	0.281 7.145	TSF

bearing
specification:
0010110111011100110101
0010110111011100110101

TIMKEN®

Tapered Roller Bearings

Bore Size Listing - Continued

Cone			Part Number		Cup			Bearing	
Bore d	Width B	BF Radius R	Cone	Cup	OD D	Width C	BF Radius r	Width T / T1	Brg Type
2.250	0.864	0.03	387-S	382A	3.813	0.625	0.03	0.827	TS
57.150	21.946	0.76			96.838	15.875	0.76	21.000	
2.250	0.864	0.03	387-S	384D	3.937	1.688	0.03	2.063	TDO
57.150	21.946	0.76			100.000	42.862	0.76	52.388	
2.250	0.864	0.03	387-S	384ED	3.937	1.562	0.03	1.937	TDO
57.150	21.946	0.76			100.000	39.675	0.76	49.200	
2.250	0.864	0.09	387	382A	3.813	0.625	0.03	0.827	TS
57.150	21.946	2.29			96.838	15.875	0.76	21.000	
2.250	0.864	0.09	387	384D	3.937	1.688	0.03	2.063	TDO
57.150	21.946	2.29			100.000	42.862	0.76	52.388	
2.250	0.864	0.09	387	384ED	3.937	1.562	0.03	1.937	TDO
57.150	21.946	2.29			100.000	39.675	0.76	49.200	
2.250	0.864	0.14	387A	382	3.875	0.702	0.03	0.827	TS
57.150	21.946	3.50			98.425	17.826	0.76	21.000	
2.250	0.864	0.14	387A	382-B	3.813	0.702	0.03	0.313	TSF
57.150	21.946	3.50			96.838	17.826	0.76	7.938	
2.250	0.864	0.14	387A	382-S	3.813	0.798	0.09	1.000	TS
57.150	21.946	3.50			96.838	20.274	2.29	25.400	
2.250	0.864	0.14	387A	382A	3.813	0.625	0.03	0.827	TS
57.150	21.946	3.50			96.838	15.875	0.76	21.000	
2.250	0.864	0.14	387A	383A	3.937	0.702	0.08	0.827	TS
57.150	21.946	3.50			100.000	17.826	2.03	21.000	
2.250	0.864	0.14	387A	384D	3.937	1.688	0.03	2.063	TDO
57.150	21.946	3.50			100.000	42.862	0.76	52.388	
2.250	0.864	0.14	387A	384ED	3.937	1.562	0.03	1.937	TDO
57.150	21.946	3.50			100.000	39.675	0.76	49.200	
2.250	0.864	0.20	387AS	382A	3.813	0.625	0.03	0.827	TS
57.150	21.946	5.00			96.838	15.875	0.76	21.000	
2.250	0.864	0.20	387AS	384D	3.937	1.688	0.03	2.063	TDO
57.150	21.946	5.16			100.000	42.862	0.76	52.388	
2.250	0.864	0.20	387AS	384ED	3.937	1.562	0.03	1.937	TDO
57.150	21.946	5.16			100.000	39.675	0.76	49.200	
2.250	0.866	0.09	390	394A	4.331	0.741	0.05	0.866	TS
57.150	21.996	2.29			110.000	18.825	1.27	22.000	
2.250	0.866	0.09	390	394D	4.331	1.813	0.03	2.063	TDO
57.150	21.996	2.29			110.000	46.038	0.76	52.388	
2.250	0.969	0.14	28682	28622	3.844	0.766	0.03	0.969	TS
57.150	24.608	3.50			97.630	19.446	0.76	24.608	
2.250	0.969	0.14	28682	28622-B	3.844	0.766	0.03	0.359	TSF
57.150	24.608	3.50			97.630	19.446	0.76	9.124	
2.250	1.154	0.09	462	452D	4.250	2.125	0.03	2.563	TDO
57.150	29.317	2.29			107.950	53.975	0.76	65.090	
2.250	1.154	0.09	462	453X	4.125	0.969	0.13	1.188	TS
57.150	29.317	2.29			104.775	24.605	3.30	30.162	

Tapered Roller Bearings

Bore Size Listing - Continued

Cone			Part Number		Cup			Bearing	
Bore d	Width B	BF Radius R	Cone	Cup	OD D	Width C	BF Radius r	Width T / T1	Brg Type
2.250	1.154	0.09	462A	4536	4.375	1.281	0.13	1.500	TS
57.150	29.317	2.30			111.125	32.545	3.30	38.108	
2.250	1.154	0.14	469	452D	4.250	2.125	0.03	2.563	TDO
57.150	29.317	3.50			107.950	53.975	0.76	65.090	
2.250	1.154	0.14	469	453A	4.250	0.875	0.03	1.094	TS
57.150	29.317	3.50			107.950	22.225	0.76	27.783	
2.250	1.154	0.14	469	453X	4.125	0.969	0.13	1.188	TS
57.150	29.317	3.50			104.775	24.605	3.30	30.162	
2.250	1.154	0.14	469	454	4.331	1.063	0.08	1.094	TS
57.150	29.317	3.50			110.000	27.000	2.03	27.795	
2.250	1.183	0.14	3979	3920	4.438	0.938	0.13	1.188	TS
57.150	30.048	3.50			112.712	23.812	3.30	30.162	
2.250	1.188	0.14	33225	33462	4.625	0.938	0.13	1.188	TS
57.150	30.162	3.50			117.475	23.812	3.30	30.162	
2.250	1.188	0.14	33225	33462D	4.625	2.125	0.03	2.625	TDO
57.150	30.162	3.50			117.475	53.975	0.76	66.675	
2.250	1.188	0.14	39580	39520	4.438	0.938	0.13	1.188	TS
57.150	30.162	3.50			112.712	23.812	3.30	30.162	
2.250	1.188	0.31	39581	39520	4.438	0.938	0.13	1.188	TS
57.150	30.162	8.00			112.712	23.812	3.30	30.162	
2.250	1.219	0.03	45289	45220	4.125	0.938	0.13	1.188	TS
57.150	30.958	0.76			104.775	23.812	3.30	30.162	
2.250	1.219	0.09	45290	45220	4.125	0.938	0.13	1.188	TS
57.150	30.958	2.29			104.775	23.812	3.30	30.162	
2.250	1.219	0.25	45291	45220	4.125	0.938	0.13	1.188	TS
57.150	30.958	6.35			104.775	23.812	3.30	30.162	
2.250	1.219	0.25	45291	45221	4.125	0.938	0.03	1.188	TS
57.150	30.958	6.35			104.775	23.812	0.76	30.162	
2.250	1.250	0.14	66225	66462	4.625	0.938	0.13	1.313	TS
57.150	31.750	3.50			117.475	23.812	3.30	33.338	
2.250	1.250	0.14	66225	66462-B	4.625	0.938	0.13	0.625	TSF
57.150	31.750	3.50			117.475	23.812	3.30	15.875	
2.250	1.250	0.14	66225	66462D	4.625	2.125	0.03	2.875	TDO
57.150	31.750	3.50			117.475	53.975	0.76	73.025	
2.250	1.291	0.14	72225C	72487	4.875	1.000	0.13	1.438	TS
57.150	32.791	3.50			123.825	25.400	3.30	36.512	
2.250	1.291	0.14	72225C	72488D	4.875	2.188	0.06	3.062	TDO
57.150	32.791	3.50			123.825	55.562	1.52	77.785	
2.250	1.309	0.14	78225	78551	5.513	0.926	0.09	1.438	TS
57.150	33.236	3.50			140.030	23.520	2.29	36.512	
2.250	1.309	0.14	78225C	78551	5.513	0.926	0.09	1.438	TS
57.150	33.236	3.50			140.030	23.520	2.29	36.512	
2.250	1.444	0.14	555-S	552-B	4.875	1.188	0.13	0.563	TSF
57.150	36.678	3.50			123.825	30.162	3.30	14.288	

bearing
specification:
0010110111011100110101
0010110111011100110101

TIMKEN®

Tapered Roller Bearings

Bore Size Listing - Continued

Cone			Part Number		Cup			Bearing	
Bore d	Width B	BF Radius R	Cone	Cup	OD D	Width C	BF Radius r	Width T / T1	Brg Type
2.250	1.444	0.14	555-S	552A	4.875	1.188	0.13	1.500	TS
57.150	36.678	3.50			123.825	30.162	3.30	38.100	
2.250	1.444	0.14	555-S	552D	4.875	2.500	0.06	3.125	TDO
57.150	36.678	3.50			123.825	63.500	1.52	79.375	
2.250	1.625	0.14	623	612	4.750	1.250	0.13	1.625	TS
57.150	41.275	3.50			120.650	31.750	3.30	41.275	
2.250	1.625	0.14	623	612-B	4.750	1.250	0.13	0.656	TSF
57.150	41.275	3.50			120.650	31.750	3.30	16.667	
2.250	1.750	0.14	65225	65500	5.000	1.375	0.13	1.750	TS
57.150	44.450	3.50			127.000	34.925	3.30	44.450	
2.265	0.864	0.14	388A	382-B	3.813	0.702	0.03	0.313	TSF
57.531	21.946	3.50			96.838	17.826	0.76	7.938	
2.265	0.864	0.14	388A	382A	3.813	0.625	0.03	0.827	TS
57.531	21.946	3.50			96.838	15.875	0.76	21.000	
2.265	0.864	0.14	388A	384D	3.937	1.688	0.03	2.063	TDO
57.531	21.946	3.50			100.000	42.862	0.76	52.388	
2.265	0.864	0.14	388A	384ED	3.937	1.562	0.03	1.937	TDO
57.531	21.946	3.50			100.000	39.675	0.76	49.200	
2.361	1.000	0.14	28980	28920	4.000	0.781	0.13	1.000	TS
59.977	25.400	3.50			101.600	19.845	3.30	25.400	
2.361	1.000	0.14	28980	28921	3.937	0.781	0.13	1.000	TS
59.977	25.400	3.50			100.000	19.845	3.30	25.400	
2.361	1.250	0.03	66589	66520	4.813	0.938	0.13	1.313	TS
59.972	31.750	0.76			122.238	23.812	3.30	33.338	
2.362	0.787	0.08	JP6049	JP6010	3.937	0.610	0.08	0.827	TS
60.000	20.000	2.03			100.000	15.500	2.03	21.000	
2.362	0.787	0.08	JP6049	JP6010-B	3.937	0.610	0.08	0.335	TSF
60.000	20.000	2.03			100.000	15.500	2.03	8.500	
2.362	0.866	0.03	397	394A	4.331	0.741	0.05	0.866	TS
60.000	21.996	0.76			110.000	18.825	1.27	22.000	
2.362	0.866	0.03	397	394D	4.331	1.813	0.03	2.063	TDO
60.000	21.996	0.76			110.000	46.038	0.76	52.388	
2.362	0.866	0.08	30212M	-	4.331	0.748	0.06	0.935	TS
60.000	22.000	2.03			110.000	19.000	1.52	23.750	
2.362	0.866	0.09	39236	39412	4.125	0.625	0.08	0.844	TS
59.987	22.000	2.29			104.775	15.875	2.03	21.433	
2.362	0.906	0.06	32012X	-	3.740	0.689	0.06	0.906	TS
60.000	23.000	1.52			95.000	17.500	1.52	23.000	
2.362	0.945	0.20	JLM508748	JLM508710	3.740	0.748	0.10	0.945	TS
60.000	24.000	5.00			95.000	19.000	2.54	24.000	
2.362	1.000	0.03	29582	29520	4.250	0.750	0.13	1.000	TS
60.000	25.400	0.76			107.950	19.050	3.30	25.400	
2.362	1.000	0.14	29580	29520	4.250	0.750	0.13	1.000	TS
60.000	25.400	3.50			107.950	19.050	3.30	25.400	

Tapered Roller Bearings

Bore Size Listing - Continued

Cone			Part Number		Cup			Bearing	
Bore d	Width B	BF Radius R	Cone	Cup	OD D	Width C	BF Radius r	Width T / T1	Brg Type
2.362 60.000	1.024 28.000	0.08 2.00	32212M	-	4.331 110.000	0.945 24.000	0.06 1.52	1.171 29.750	TS
2.362 60.000	1.063 27.000	0.06 1.52	33012	-	3.740 95.000	0.827 21.000	0.06 1.52	1.063 27.000	TS
2.362 60.000	1.142 29.007	0.08 2.03	476	472	4.724 120.000	0.954 24.237	0.08 2.03	1.173 29.794	TS
2.362 60.000	1.142 29.007	0.08 2.03	476	472D	4.724 120.000	2.125 53.975	0.03 0.76	2.563 65.090	TDO
2.362 60.000	1.181 30.000	0.06 1.52	33112	-	3.937 100.000	0.906 23.000	0.06 1.52	1.181 30.000	TS
2.362 60.000	1.183 30.048	0.14 3.50	3977	3920	4.438 112.712	0.938 23.812	0.13 3.30	1.188 30.162	TS
2.362 59.987	1.218 30.924	0.14 3.50	HM911244	JHM911211	5.118 130.000	0.892 22.649	0.13 3.30	1.343 34.100	TS
2.362 60.000	1.221 31.000	0.12 3.05	30312	-	5.118 130.000	1.024 26.000	0.10 2.54	1.319 33.500	TS
2.362 60.000	1.221 31.000	0.12 3.05	31312M	-	5.118 130.000	0.866 22.000	0.10 2.54	1.319 33.500	TS
2.362 60.000	1.250 31.750	0.14 3.50	66585	66521DB	5.001 127.025	2.060 52.324	0.03 0.80	2.810 71.374	TDO
2.362 60.000	1.319 33.500	0.12 3.05	JW6049	JW6010	4.921 125.000	1.024 26.000	0.12 3.05	1.457 37.000	TS
2.362 59.987	1.438 36.512	0.14 3.50	HM813839	HM813810	5.000 127.000	1.063 26.988	0.13 3.30	1.438 36.512	TS
2.362 60.000	1.496 38.000	0.08 2.03	33212	-	4.331 110.000	1.142 29.000	0.06 1.52	1.496 38.000	TS
2.362 60.000	1.496 38.000	0.24 6.00	XAA33212	Y33212	4.331 110.000	1.142 29.000	0.06 1.52	1.496 38.000	TS
2.362 59.987	1.563 39.688	0.14 3.50	H913840	H913810	5.750 146.050	1.000 25.400	0.13 3.30	1.625 41.275	TS
2.362 60.000	1.811 46.000	0.12 3.05	32312	-	5.118 130.000	1.457 37.000	0.10 2.54	1.909 48.500	TS
2.375 60.325	1.000 25.400	0.14 3.50	28985	28919	3.936 99.979	0.750 19.050	0.06 1.52	0.969 24.605	TS
2.375 60.325	1.000 25.400	0.14 3.50	28985	28920	4.000 101.600	0.781 19.845	0.13 3.30	1.000 25.400	TS
2.375 60.325	1.000 25.400	0.14 3.50	28985	28921	3.937 100.000	0.781 19.845	0.13 3.30	1.000 25.400	TS
2.375 60.325	1.000 25.400	0.14 3.50	28985	28921D	3.937 100.000	1.750 44.450	0.03 0.76	2.187 55.560	TDO
2.375 60.325	1.183 30.048	0.14 3.50	3980	3920	4.438 112.712	0.938 23.812	0.13 3.30	1.188 30.162	TS
2.375 60.325	1.313 33.338	0.20 5.00	HM911245	HM911210	5.125 130.175	0.938 23.812	0.13 3.30	1.438 36.512	TS

Tapered Roller Bearings

Bore Size Listing - Continued

Cone			Part Number		Cup			Bearing	
Bore d	Width B	BF Radius R	Cone	Cup	OD D	Width C	BF Radius r	Width T / T1	Brg Type
2.375 60.325	1.313 33.338	0.20 5.00	HM911245	HM911216	5.314 134.983	0.864 21.948	0.14 3.50	1.412 35.862	TS
2.375 60.325	1.313 33.338	0.20 5.00	HM911245	JHM911211	5.118 130.000	0.892 22.649	0.13 3.30	1.438 36.512	TS
2.375 60.325	1.438 36.512	0.14 3.50	HM813841	HM813810	5.000 127.000	1.063 26.988	0.13 3.30	1.438 36.512	TS
2.375 60.325	1.444 36.678	0.09 2.29	558	552A	4.875 123.825	1.188 30.162	0.13 3.30	1.500 38.100	TS
2.375 60.325	1.444 36.678	0.09 2.29	558	552D	4.875 123.825	2.500 63.500	0.06 1.52	3.125 79.375	TDO
2.375 60.325	1.444 36.678	0.14 3.50	558A	552	4.875 123.825	1.313 33.338	0.13 3.30	1.500 38.100	TS
2.375 60.325	1.444 36.678	0.14 3.50	558A	553X	4.813 122.238	1.188 30.162	0.13 3.30	1.500 38.100	TS
2.375 60.325	1.444 36.678	0.31 8.00	557A	552	4.875 123.825	1.313 33.338	0.13 3.30	1.500 38.100	TS
2.375 60.325	1.444 36.678	0.31 8.00	557A	553X	4.813 122.238	1.188 30.162	0.13 3.30	1.500 38.100	TS
2.375 60.325	1.510 38.354	0.31 8.00	HM212044	HM212011	4.813 122.238	1.170 29.718	0.13 3.30	1.500 38.100	TS
2.375 60.325	1.723 43.764	0.14 3.50	5583	5535	4.813 122.238	1.438 36.512	0.13 3.30	1.719 43.658	TS
2.375 60.325	1.750 44.450	0.06 1.52	65237A	65500	5.000 127.000	1.375 34.925	0.13 3.30	1.750 44.450	TS
2.375 60.325	1.750 44.450	0.14 3.50	65237	65500	5.000 127.000	1.375 34.925	0.13 3.30	1.750 44.450	TS
2.375 60.325	1.750 44.450	0.14 3.50	65237	65500-B	5.000 127.000	1.375 34.925	0.13 3.30	0.656 16.670	TSF
2.375 60.325	1.813 46.038	0.14 3.50	H715332	H715311	5.375 136.525	1.438 36.512	0.13 3.30	1.813 46.038	TS
2.438 61.912	0.866 21.996	0.03 0.76	392	394A	4.331 110.000	0.741 18.825	0.05 1.27	0.866 22.000	TS
2.438 61.912	0.866 21.996	0.03 0.76	392	394D	4.331 110.000	1.813 46.038	0.03 0.76	2.063 52.388	TDO
2.438 61.912	1.438 36.512	0.14 3.50	HM813843	HM813810	5.000 127.000	1.063 26.988	0.13 3.30	1.438 36.512	TS
2.438 61.912	1.444 36.678	0.14 3.50	554	552	4.875 123.825	1.313 33.338	0.13 3.30	1.500 38.100	TS
2.438 61.912	1.444 36.678	0.14 3.50	554	553X	4.813 122.238	1.188 30.162	0.13 3.30	1.500 38.100	TS
2.438 61.912	1.563 39.688	0.14 3.50	H913842	H913810	5.750 146.050	1.000 25.400	0.13 3.30	1.625 41.275	TS
2.438 61.912	1.813 46.038	0.14 3.50	H715334	H715311	5.375 136.525	1.438 36.512	0.13 3.30	1.813 46.038	TS

Tapered Roller Bearings

Bore Size Listing - Continued

Bore d	Cone		Part Number		OD D	Cup		Bearing	
	Width B	BF Radius R	Cone	Cup		Width C	BF Radius r	Width T / T1	Brg Type
2.438	2.187	0.03	399D	394A	4.331	0.741	0.05	2.187	TDI
61.912	55.550	0.76			110.000	18.825	1.27	55.550	
2.438	2.187	0.03	399D	394AS	4.331	0.741	0.13	2.187	TDI
61.912	55.550	0.76			110.000	18.825	3.30	55.550	
2.440	0.969	0.08	28990	28920	4.000	0.781	0.13	0.969	TS
61.976	24.608	2.03			101.600	19.845	3.30	24.608	
2.440	0.969	0.08	28990	28921D	3.937	1.750	0.03	2.125	TDO
61.976	24.608	2.03			100.000	44.450	0.76	53.975	
2.470	1.000	0.14	28995	28920	4.000	0.781	0.13	1.000	TS
62.738	25.400	3.50			101.600	19.845	3.30	25.400	
2.470	1.000	0.14	28995	28921D	3.937	1.750	0.03	2.187	TDO
62.738	25.400	3.50			100.000	44.450	0.76	55.560	
2.500	0.500	0.06	LL510749	LL510710	3.625	0.375	0.06	0.531	TS
63.500	12.700	1.52			92.075	9.525	1.52	13.495	
2.500	0.750	0.06	L610549	L610510	3.719	0.594	0.06	0.750	TS
63.500	19.050	1.52			94.458	15.083	1.52	19.050	
2.500	0.866	0.06	390A	394A	4.331	0.741	0.05	0.866	TS
63.500	21.996	1.52			110.000	18.825	1.27	22.000	
2.500	0.866	0.06	390A	394AB	4.331	0.741	0.05	0.312	TSF
63.500	21.996	1.52			110.000	18.825	1.27	7.925	
2.500	0.866	0.06	390A	394AS	4.331	0.741	0.13	0.866	TS
63.500	21.996	1.52			110.000	18.825	3.30	22.000	
2.500	0.866	0.06	390A	394D	4.331	1.813	0.03	2.063	TDO
63.500	21.996	1.52			110.000	46.038	0.76	52.388	
2.500	0.866	0.14	395	394A	4.331	0.741	0.05	0.866	TS
63.500	21.996	3.50			110.000	18.825	1.27	22.000	
2.500	0.866	0.14	395	394AB	4.331	0.741	0.05	0.312	TSF
63.500	21.996	3.50			110.000	18.825	1.27	7.925	
2.500	0.866	0.14	395	394D	4.331	1.813	0.03	2.063	TDO
63.500	21.996	3.50			110.000	46.038	0.76	52.388	
2.500	0.866	0.08	39250	39412	4.125	0.625	0.08	0.844	TS
63.500	22.000	2.03			104.775	15.875	2.03	21.433	
2.500	1.000	0.06	29586	29520	4.250	0.750	0.13	1.000	TS
63.500	25.400	1.52			107.950	19.050	3.30	25.400	
2.500	1.000	0.14	29585	29520	4.250	0.750	0.13	1.000	TS
63.500	25.400	3.50			107.950	19.050	3.30	25.400	
2.500	1.000	0.14	29585	29521	4.331	0.750	0.05	1.000	TS
63.500	25.400	3.50			110.000	19.050	1.27	25.400	
2.500	1.000	0.14	29585	29522	4.250	0.750	0.03	1.000	TS
63.500	25.400	3.50			107.950	19.050	0.76	25.400	
2.500	1.020	0.03	M111048	M111012	4.250	0.800	0.03	1.000	TS
63.500	25.908	0.80			107.950	20.320	0.80	25.397	
2.500	1.142	0.03	477	472	4.724	0.954	0.08	1.173	TS
63.500	29.007	0.76			120.000	24.237	2.03	29.794	

bearing
specification:
0010110111011100110101
0010110111011100110101

TIMKEN®

Tapered Roller Bearings

Bore Size Listing - Continued

Cone			Part Number		Cup			Bearing	
Bore d	Width B	BF Radius R	Cone	Cup	OD D	Width C	BF Radius r	Width T / T1	Brg Type
2.500	1.142	0.03	477	472D	4.724	2.125	0.03	2.563	TDO
63.500	29.007	0.76			120.000	53.975	0.76	65.090	
2.500	1.142	0.14	483	472	4.724	0.954	0.08	1.173	TS
63.500	29.007	3.50			120.000	24.237	2.03	29.794	
2.500	1.142	0.14	483	472D	4.724	2.125	0.03	2.563	TDO
63.500	29.007	3.50			120.000	53.975	0.76	65.090	
2.500	1.183	0.14	3982	3920	4.438	0.938	0.13	1.188	TS
63.500	30.048	3.50			112.712	23.812	3.30	30.162	
2.500	1.188	0.03	33251	33462	4.625	0.938	0.13	1.188	TS
63.500	30.162	0.76			117.475	23.812	3.30	30.162	
2.500	1.188	0.14	39585	39520	4.438	0.938	0.13	1.188	TS
63.500	30.162	3.50			112.712	23.812	3.30	30.162	
2.500	1.309	0.09	78250	78537	5.375	0.926	0.13	1.438	TS
63.500	33.236	2.29			136.525	23.520	3.30	36.512	
2.500	1.309	0.09	78250	78551	5.513	0.926	0.09	1.438	TS
63.500	33.236	2.29			140.030	23.520	2.29	36.512	
2.500	1.309	0.20	78250AC	78537	5.375	0.926	0.13	1.438	TS
63.500	33.236	5.00			136.525	23.520	3.30	36.512	
2.500	1.309	0.20	78250AC	78551	5.513	0.926	0.09	1.438	TS
63.500	33.236	5.00			140.030	23.520	2.30	36.512	
2.500	1.424	0.14	565	563	5.000	1.125	0.13	1.438	TS
63.500	36.170	3.50			127.000	28.575	3.30	36.512	
2.500	1.424	0.14	565	563D	5.000	2.563	0.06	3.188	TDO
63.500	36.170	3.50			127.000	65.088	1.52	80.962	
2.500	1.438	0.14	HM813842	HM813810	5.000	1.063	0.13	1.438	TS
63.500	36.512	3.50			127.000	26.988	3.30	36.512	
2.500	1.444	0.14	559	552A	4.875	1.188	0.13	1.500	TS
63.500	36.678	3.50			123.825	30.162	3.30	38.100	
2.500	1.444	0.14	559	552D	4.875	2.500	0.06	3.125	TDO
63.500	36.678	3.50			123.825	63.500	1.52	79.375	
2.500	1.510	0.14	HM212046	HM212011	4.813	1.170	0.13	1.500	TS
63.500	38.354	3.50			122.238	29.718	3.30	38.100	
2.500	1.510	0.28	HM212047	HM212011	4.813	1.170	0.13	1.500	TS
63.500	38.354	7.00			122.238	29.718	3.30	38.100	
2.500	1.625	0.14	639	632	5.375	1.250	0.13	1.625	TS
63.500	41.275	3.50			136.525	31.750	3.30	41.275	
2.500	1.625	0.14	639	632D	5.375	3.000	0.06	3.750	TDO
63.500	41.275	3.50			136.525	76.200	1.52	95.250	
2.500	1.625	0.14	H414235	H414210	5.375	1.250	0.13	1.625	TS
63.500	41.275	3.50			136.525	31.750	3.30	41.275	
2.500	1.723	0.14	5584	5535	4.813	1.438	0.13	1.719	TS
63.500	43.764	3.50			122.238	36.512	3.30	43.658	
2.500	1.813	0.14	H715336	H715311	5.375	1.438	0.13	1.813	TS
63.500	46.038	3.50			136.525	36.512	3.30	46.038	

Tapered Roller Bearings

Bore Size Listing - Continued

Bore d	Cone		Part Number		OD D	Cup		Bearing	
	Width B	BF Radius R	Cone	Cup		Width C	BF Radius r	Width T / T1	Brg Type
2.500 63.500	2.205 56.007	0.17 4.32	6382	6320	5.345 135.755	1.750 44.450	0.13 3.30	2.125 53.975	TS
2.559 65.000	0.906 23.000	0.06 1.52	32013X	-	3.937 100.000	0.689 17.500	0.06 1.52	0.906 23.000	TS
2.559 65.000	0.906 23.000	0.08 2.03	30213M	-	4.724 120.000	0.787 20.000	0.06 1.52	0.974 24.750	TS
2.559 65.000	0.906 23.000	0.12 3.05	JLM710949C	JLM710910	4.134 105.000	0.728 18.500	0.04 1.02	0.945 24.000	TS
2.559 65.000	0.906 23.000	0.20 5.00	XAA32013X	Y32013X	3.937 100.000	0.689 17.500	0.06 1.52	0.906 23.000	TS
2.559 65.000	1.063 27.000	0.06 1.52	33013	-	3.937 100.000	0.827 21.000	0.06 1.52	1.063 27.000	TS
2.559 65.000	1.102 28.000	0.12 3.05	JM511946	JM511910	4.331 110.000	0.886 22.500	0.10 2.54	1.102 28.000	TS
2.559 65.000	1.142 29.007	0.09 2.29	478	472	4.724 120.000	0.954 24.237	0.08 2.03	1.173 29.794	TS
2.559 65.000	1.181 30.000	0.12 3.05	JM511945	JM511910	4.331 110.000	0.886 22.500	0.10 2.54	1.102 28.000	TS
2.559 64.987	1.218 30.925	0.09 2.29	39586	39520	4.438 112.712	0.938 23.812	0.13 3.30	1.188 30.162	TS
2.559 65.000	1.221 31.000	0.08 2.03	32213	-	4.724 120.000	1.063 27.000	0.06 1.52	1.289 32.750	TS
2.559 65.000	1.221 31.000	0.08 2.00	32213M	-	4.724 120.000	1.063 27.000	0.06 1.50	1.289 32.750	TS
2.559 65.000	1.299 33.000	0.12 3.05	30313	-	5.512 140.000	1.102 28.000	0.10 2.54	1.417 36.000	TS
2.559 65.000	1.299 33.000	0.12 3.05	31313M	-	5.512 140.000	0.906 23.000	0.10 2.54	1.417 36.000	TS
2.559 65.000	1.339 34.000	0.06 1.52	33113	-	4.331 110.000	1.043 26.500	0.06 1.52	1.339 34.000	TS
2.559 65.000	1.516 38.500	0.12 3.05	JH-211749	JH-211710	4.724 120.000	1.260 32.000	0.10 2.54	1.535 39.000	TS
2.559 65.000	1.516 38.500	0.28 7.00	JH211749A	JH-211710	4.724 120.000	1.260 32.000	0.10 2.54	1.535 39.000	TS
2.559 65.000	1.614 41.000	0.08 2.00	33213	-	4.724 120.000	1.260 32.000	0.06 1.50	1.614 41.001	TS
2.559 65.000	1.614 41.000	0.08 2.03	33213M	-	4.724 120.000	1.260 32.000	0.06 1.52	1.614 41.000	TS
2.559 65.000	1.890 48.000	0.12 3.05	32313M	-	5.512 140.000	1.535 39.000	0.10 2.54	2.008 51.000	TS
2.559 65.000	2.205 56.007	0.12 3.05	J6392	6320	5.345 135.755	1.750 44.450	0.13 3.30	2.125 53.980	TS
2.559 65.000	2.205 56.007	0.12 3.05	J6392	J6327	5.512 140.000	1.750 44.450	0.13 3.30	2.125 53.980	TS

bearing
specification:
0010110111011100110101
0010110111011100110101

TIMKEN®

Tapered Roller Bearings

Bore Size Listing - Continued

Cone			Part Number		Cup			Bearing	
Bore d	Width B	BF Radius R	Cone	Cup	OD D	Width C	BF Radius r	Width T / T1	Brg Type
2.563 65.088	1.813 46.038	0.14 3.50	H715340	H715311	5.375 136.525	1.438 36.512	0.13 3.30	1.813 46.037	TS
2.563 65.088	1.813 46.038	0.14 3.50	H715340	H715313W	5.375 136.525	1.563 39.688	0.13 3.30	1.938 49.212	TS
2.563 65.088	2.205 56.007	0.14 3.50	6379	6320	5.345 135.755	1.750 44.450	0.13 3.30	2.125 53.975	TS
2.594 65.883	1.723 43.764	0.14 3.50	5595	5535	4.813 122.238	1.438 36.512	0.13 3.30	1.719 43.655	TS
2.625 66.675	0.693 17.602	0.06 1.52	L812148	L812111	4.064 103.213	0.472 11.989	0.03 0.76	0.693 17.602	TS
2.625 66.675	0.866 21.996	0.03 0.76	395A	394A	4.331 110.000	0.741 18.825	0.05 1.27	0.866 22.000	TS
2.625 66.675	0.866 21.996	0.03 0.76	395A	394D	4.331 110.000	1.813 46.038	0.03 0.76	2.063 52.388	TDO
2.625 66.675	0.866 21.996	0.14 3.50	395-S	394A	4.331 110.000	0.741 18.825	0.05 1.27	0.866 22.000	TS
2.625 66.675	0.866 21.996	0.14 3.50	395-S	394AB	4.331 110.000	0.741 18.825	0.05 1.27	0.312 7.925	TSF
2.625 66.675	0.866 21.996	0.14 3.50	395-S	394D	4.331 110.000	1.813 46.038	0.03 0.76	2.063 52.388	TDO
2.625 66.675	0.923 23.444	0.14 3.50	395CS	394CS	4.468 113.487	0.741 18.825	0.05 1.30	0.923 23.447	TS
2.625 66.675	1.000 25.400	0.14 3.50	29590	29520	4.250 107.950	0.750 19.050	0.13 3.30	1.000 25.400	TS
2.625 66.675	1.151 29.223	0.22 5.50	3992	3920	4.438 112.712	0.938 23.812	0.13 3.30	1.155 29.337	TS
2.625 66.675	1.151 29.223	0.22 5.50	3992	3925	4.438 112.712	0.938 23.812	0.03 0.76	1.155 29.337	TS
2.625 66.675	1.151 29.223	0.22 5.50	3992	3926	4.438 112.712	1.063 26.988	0.13 3.30	1.280 32.512	TS
2.625 66.675	1.183 30.048	0.14 3.50	3984	3920	4.438 112.712	0.938 23.812	0.13 3.30	1.188 30.162	TS
2.625 66.675	1.183 30.048	0.14 3.50	3984	3925	4.438 112.712	0.938 23.812	0.03 0.76	1.188 30.162	TS
2.625 66.675	1.183 30.048	0.14 3.50	3984	3926	4.438 112.712	1.063 26.988	0.13 3.30	1.313 33.338	TS
2.625 66.675	1.183 30.048	0.22 5.50	3994	3920	4.438 112.712	0.938 23.812	0.13 3.30	1.188 30.162	TS
2.625 66.675	1.183 30.048	0.22 5.50	3994	3925	4.438 112.712	0.938 23.812	0.03 0.76	1.188 30.162	TS
2.625 66.675	1.183 30.048	0.22 5.50	3994	3926	4.438 112.712	1.063 26.988	0.13 3.30	1.313 33.338	TS
2.625 66.675	1.188 30.162	0.14 3.50	33262	33461	4.625 117.475	0.938 23.812	0.03 0.80	1.188 30.162	TS

Tapered Roller Bearings

Bore Size Listing - Continued

Cone			Part Number		Cup			Bearing	
Bore d	Width B	BF Radius R	Cone	Cup	OD D	Width C	BF Radius r	Width T / T1	Brg Type
2.625	1.188	0.14	33262	33461X	4.625	0.938	0.03	1.188	TS
66.675	30.162	3.50			117.475	23.812	0.80	30.162	
2.625	1.188	0.14	33262	33462	4.625	0.938	0.13	1.188	TS
66.675	30.162	3.50			117.475	23.812	3.30	30.162	
2.625	1.188	0.14	33262	33472	4.724	0.923	0.03	1.173	TS
66.675	30.162	3.50			120.000	23.444	0.80	29.794	
2.625	1.188	0.14	33262	33475	4.750	0.923	0.03	1.173	TS
66.675	30.162	3.50			120.650	23.444	0.80	29.794	
2.625	1.188	0.14	39590	39520	4.438	0.938	0.13	1.188	TS
66.675	30.162	3.50			112.712	23.812	3.30	30.162	
2.625	1.188	0.14	39590	39520-B	4.438	0.938	0.13	0.469	TSF
66.675	30.162	3.50			112.712	23.812	3.30	11.908	
2.625	1.188	0.14	39590	39521	4.438	0.938	0.03	1.188	TS
66.675	30.162	3.50			112.712	23.812	0.76	30.162	
2.625	1.188	0.22	39591	39520	4.438	0.938	0.13	1.188	TS
66.675	30.162	5.50			112.712	23.812	3.30	30.162	
2.625	1.438	0.14	HM813844	HM813810	5.000	1.063	0.13	1.438	TS
66.675	36.512	3.50			127.000	26.988	3.30	36.512	
2.625	1.438	0.14	HM813844	HM813811	5.000	1.063	0.06	1.438	TS
66.675	36.512	3.50			127.000	26.988	1.52	36.512	
2.625	1.444	0.14	560	552A	4.875	1.188	0.13	1.500	TS
66.675	36.678	3.50			123.825	30.162	3.30	38.100	
2.625	1.444	0.14	560	552D	4.875	2.500	0.06	3.125	TDO
66.675	36.678	3.50			123.825	63.500	1.52	79.375	
2.625	1.510	0.14	HM212049	HM212010	4.813	1.170	0.06	1.500	TS
66.675	38.354	3.50			122.238	29.718	1.52	38.100	
2.625	1.510	0.14	HM212049	HM212011	4.813	1.170	0.13	1.500	TS
66.675	38.354	3.50			122.238	29.718	3.30	38.100	
2.625	1.510	0.28	HM212049X	HM212011	4.813	1.170	0.13	1.500	TS
66.675	38.354	7.00			122.238	29.718	3.30	38.100	
2.625	1.625	0.14	641	632	5.375	1.250	0.13	1.625	TS
66.675	41.275	3.50			136.525	31.750	3.30	41.275	
2.625	1.625	0.14	641	632-B	5.375	1.250	0.13	0.656	TSF
66.675	41.275	3.50			136.525	31.750	3.30	16.662	
2.625	1.625	0.14	641	632D	5.375	3.000	0.06	3.750	TDO
66.675	41.275	3.50			136.525	76.200	1.52	95.250	
2.625	1.625	0.14	641	633	5.125	1.250	0.13	1.625	TS
66.675	41.275	3.50			130.175	31.750	3.30	41.275	
2.625	1.625	0.14	H414242	H414210	5.375	1.250	0.13	1.625	TS
66.675	41.275	3.50			136.525	31.750	3.30	41.275	
2.625	1.813	0.14	H715341	H715311	5.375	1.438	0.13	1.813	TS
66.675	46.038	3.50			136.525	36.512	3.30	46.038	
2.625	2.125	0.14	HH914449	HH914412	7.000	1.469	0.13	2.250	TS
66.675	53.975	3.50			177.800	37.308	3.30	57.150	

Tapered Roller Bearings

Bore Size Listing - Continued

Cone			Part Number		Cup			Bearing	
Bore d	Width B	BF Radius R	Cone	Cup	OD D	Width C	BF Radius r	Width T / T1	Brg Type
2.625	2.205	0.17	6386	6320	5.345	1.750	0.13	2.125	TS
66.675	56.007	4.32			135.755	44.450	3.30	53.975	
2.625	2.205	0.25	6389	6320	5.345	1.750	0.13	2.125	TS
66.675	56.007	6.35			135.755	44.450	3.30	53.975	
2.625	2.250	0.14	HH814547	HH814510	6.000	1.625	0.13	2.125	TS
66.675	57.150	3.50			152.400	41.275	3.30	53.975	
2.688	0.866	0.09	399A	394A	4.331	0.741	0.05	0.866	TS
68.262	21.996	2.29			110.000	18.825	1.27	22.000	
2.688	0.866	0.09	399A	394D	4.331	1.813	0.03	2.063	TDO
68.262	21.996	2.29			110.000	46.038	0.76	52.388	
2.688	0.866	0.20	399AS	394A	4.331	0.741	0.05	0.866	TS
68.262	21.996	5.00			110.000	18.825	1.27	22.000	
2.688	0.866	0.20	399AS	394D	4.331	1.813	0.03	2.063	TDO
68.262	21.996	5.00			110.000	46.038	0.76	52.388	
2.688	1.142	0.14	480	472	4.724	0.954	0.08	1.173	TS
68.262	29.007	3.50			120.000	24.237	2.03	29.794	
2.688	1.142	0.14	480	472D	4.724	2.125	0.03	2.563	TDO
68.262	29.007	3.50			120.000	53.975	0.76	65.090	
2.688	1.188	0.14	33269	33462	4.625	0.938	0.13	1.188	TS
68.262	30.162	3.50			117.475	23.812	3.30	30.162	
2.688	1.188	0.14	33269	33462D	4.625	2.125	0.03	2.625	TDO
68.262	30.162	3.50			117.475	53.975	0.76	66.675	
2.688	1.424	0.14	570	563	5.000	1.125	0.13	1.438	TS
68.262	36.170	3.50			127.000	28.575	3.30	36.512	
2.688	1.424	0.14	570	563D	5.000	2.563	0.06	3.188	TDO
68.262	36.170	3.50			127.000	65.088	1.52	80.962	
2.688	1.444	0.14	560-S	552-B	4.875	1.188	0.13	0.563	TSF
68.262	36.678	3.50			123.825	30.162	3.30	14.288	
2.688	1.444	0.14	560-S	552A	4.875	1.188	0.13	1.500	TS
68.262	36.678	3.50			123.825	30.162	3.30	38.100	
2.688	1.444	0.14	560-S	552D	4.875	2.500	0.06	3.125	TDO
68.262	36.678	3.50			123.825	63.500	1.52	79.375	
2.688	1.813	0.14	9185	9121	6.000	1.250	0.13	1.875	TS
68.262	46.038	3.50			152.400	31.750	3.30	47.625	
2.688	1.813	0.14	9278	9220	6.375	1.250	0.13	1.938	TS
68.262	46.038	3.50			161.925	31.750	3.30	49.212	
2.688	1.813	0.14	H715343	H715310	5.500	1.438	0.13	1.813	TS
68.262	46.038	3.50			139.700	36.512	3.30	46.038	
2.688	1.813	0.14	H715343	H715310-B	5.500	1.438	0.13	0.688	TSF
68.262	46.038	3.50			139.700	36.512	3.30	17.462	
2.688	1.813	0.14	H715343	H715311	5.375	1.438	0.13	1.813	TS
68.262	46.038	3.50			136.525	36.512	3.30	46.038	
2.688	1.813	0.14	H914841	H914811	6.000	1.382	0.13	1.875	TS
68.262	46.038	3.50			152.400	35.100	3.30	47.625	

Tapered Roller Bearings

Bore Size Listing - Continued

Cone			Part Number		Cup			Bearing	
Bore d	Width B	BF Radius R	Cone	Cup	OD D	Width C	BF Radius r	Width T / T1	Brg Type
2.750 69.850	0.630 16.000	0.06 1.52	LL713149	LL713110	3.906 99.217	0.512 13.000	0.06 1.52	0.669 17.000	TS
2.750 69.850	0.750 19.050	0.06 1.52	L713049	L713010	4.000 101.600	0.594 15.083	0.06 1.52	0.750 19.050	TS
2.750 69.850	0.866 21.996	0.06 1.52	LM613449	LM613410	4.438 112.712	0.625 15.875	0.03 0.76	0.875 22.225	TS
2.750 69.850	1.000 25.400	0.06 1.52	29675	29620	4.438 112.712	0.750 19.050	0.13 3.30	1.000 25.400	TS
2.750 69.850	1.000 25.400	0.06 1.52	29675	29620-B	4.438 112.712	0.750 19.050	0.13 3.30	0.406 10.320	TSF
2.750 69.850	1.000 25.400	0.06 1.52	29675	29622D	4.500 114.287	1.813 46.038	0.03 0.76	2.313 58.738	TDO
2.750 69.850	1.000 25.400	0.06 1.52	29675	29630	4.750 120.650	0.750 19.050	0.13 3.30	1.000 25.400	TS
2.750 69.850	1.142 29.007	0.14 3.50	482	472	4.724 120.000	0.954 24.237	0.08 2.03	1.173 29.794	TS
2.750 69.850	1.142 29.007	0.14 3.50	482	472-B	4.724 120.000	0.954 24.237	0.03 0.76	0.437 11.095	TSF
2.750 69.850	1.142 29.007	0.14 3.50	482	472A	4.724 120.000	0.923 23.444	0.13 3.30	1.142 29.002	TS
2.750 69.850	1.142 29.007	0.14 3.50	482	472D	4.724 120.000	2.125 53.975	0.03 0.76	2.563 65.090	TDO
2.750 69.850	1.188 30.162	0.14 3.50	33275	33462	4.625 117.475	0.938 23.812	0.13 3.30	1.188 30.162	TS
2.750 69.850	1.188 30.162	0.14 3.50	33275	33462D	4.625 117.475	2.125 53.975	0.03 0.76	2.625 66.675	TDO
2.750 69.850	1.281 32.545	0.14 3.50	47487	47420	4.724 120.000	1.031 26.195	0.13 3.30	1.281 32.545	TS
2.750 69.850	1.281 32.545	0.14 3.50	47487	47420A	4.724 120.000	1.031 26.195	0.02 0.51	1.281 32.545	TS
2.750 69.850	1.313 33.338	0.16 4.00	HM914545	HM914510	5.750 146.050	0.938 23.812	0.13 3.30	1.438 36.512	TS
2.750 69.850	1.424 36.170	0.14 3.50	566	563	5.000 127.000	1.125 28.575	0.13 3.30	1.438 36.512	TS
2.750 69.850	1.424 36.170	0.14 3.50	566	563D	5.000 127.000	2.563 65.088	0.06 1.52	3.188 80.962	TDO
2.750 69.850	1.563 39.688	0.14 3.50	H913849	H913810	5.750 146.050	1.000 25.400	0.13 3.30	1.625 41.275	TS
2.750 69.850	1.625 41.275	0.14 3.50	643	632	5.375 136.525	1.250 31.750	0.13 3.30	1.625 41.275	TS
2.750 69.850	1.625 41.275	0.14 3.50	643	632D	5.375 136.525	3.000 76.200	0.06 1.52	3.750 95.250	TDO
2.750 69.850	1.625 41.275	0.14 3.50	655	653	5.750 146.050	1.250 31.750	0.13 3.30	1.625 41.275	TS

bearing
specification:
0010110111011100110101
0010110111011100110101

TIMKEN®

Tapered Roller Bearings

Bore Size Listing - Continued

Cone			Part Number		Cup			Bearing	
Bore d	Width B	BF Radius R	Cone	Cup	OD D	Width C	BF Radius r	Width T / T1	Brg Type
2.750	1.838	0.14	745A	742	5.909	1.438	0.13	1.750	TS
69.850	46.672	3.50			150.089	36.512	3.30	44.450	
2.750	1.838	0.14	745A	742D	6.125	3.375	0.06	4.000	TDO
69.850	46.672	3.50			155.575	85.725	1.52	101.600	
2.750	2.219	0.14	835	832	6.625	1.625	0.13	2.125	TS
69.850	56.363	3.50			168.275	41.275	3.30	53.975	
2.754	0.906	0.08	34274	34478	4.781	0.688	0.08	0.969	TS
69.952	23.012	2.03			121.442	17.462	2.03	24.608	
2.754	0.906	0.08	34274	34478-B	4.781	0.688	0.06	0.469	TSF
69.952	23.012	2.03			121.442	17.462	1.52	11.908	
2.754	0.906	0.08	34274	34478D	4.781	1.500	0.03	2.063	TDO
69.952	23.012	2.03			121.442	38.100	0.76	52.390	
2.754	0.906	0.08	34274	34478DC	4.781	1.500	0.03	2.063	TDO
69.952	23.012	2.03			121.442	38.100	0.76	52.390	
2.754	0.906	0.08	34274	34492A	4.923	0.646	0.08	0.934	TS
69.952	23.012	2.03			125.052	16.400	2.03	23.731	
2.754	0.906	0.08	34274	34500	5.000	0.781	0.13	1.063	TS
69.952	23.012	2.00			127.000	19.842	3.30	26.987	
2.754	0.906	0.08	34274W	34500	5.000	0.781	0.13	1.063	TS
69.952	23.012	2.00			127.000	19.842	3.30	26.987	
2.755	1.813	0.14	H715347	H715311	5.375	1.438	0.13	1.813	TS
69.987	46.038	3.50			136.525	36.512	3.30	46.038	
2.755	2.094	0.13	H916642	H916610	6.938	1.438	0.13	2.156	TS
69.987	53.183	3.30			176.212	36.512	3.30	54.770	
2.756	0.787	0.08	JP7049	JP7010	4.331	0.610	0.08	0.827	TS
70.000	20.000	2.03			110.000	15.500	2.03	21.000	
2.756	0.787	0.08	JP7049	JP7010-B	4.331	0.610	0.08	0.335	TSF
70.000	20.000	2.03			110.000	15.500	2.03	8.500	
2.756	0.906	0.08	34275	34500	5.000	0.781	0.13	1.063	TS
70.000	23.012	2.00			127.000	19.842	3.30	26.987	
2.756	0.906	0.08	34275HV	34500	5.000	0.781	0.13	1.063	TS
70.000	23.012	2.00			127.000	19.842	3.30	26.987	
2.756	0.945	0.08	30214	-	4.921	0.827	0.06	1.034	TS
70.000	24.000	2.03			125.000	21.000	1.52	26.250	
2.756	0.984	0.04	JLM813049	JLM813010	4.331	0.807	0.10	1.024	TS
70.000	25.000	1.02			110.000	20.500	2.54	26.000	
2.756	0.984	0.06	32014X	-	4.331	0.748	0.06	0.984	TS
70.000	25.000	1.52			110.000	19.000	1.52	25.000	
2.756	1.142	0.12	JM612949	JM612910	4.528	0.906	0.10	1.142	TS
70.000	29.000	3.05			115.000	23.000	2.54	29.000	
2.756	1.142	0.08	484	472	4.724	0.954	0.08	1.173	TS
70.000	29.007	2.03			120.000	24.237	2.03	29.794	
2.756	1.142	0.08	484	472-B	4.724	0.954	0.03	0.437	TSF
70.000	29.007	2.03			120.000	24.237	0.76	11.095	

Tapered Roller Bearings

Bore Size Listing - Continued

Bore d	Cone		Part Number		OD D	Cup		Bearing	
	Width B	BF Radius R	Cone	Cup		Width C	BF Radius r	Width T / T1	Brg Type
2.756 70.000	1.142 29.007	0.08 2.03	484	472D	4.724 120.000	2.125 53.975	0.03 0.76	2.563 65.090	TDO
2.756 70.000	1.221 31.000	0.06 1.52	33014M	-	4.331 110.000	1.004 25.500	0.06 1.52	1.221 31.000	TS
2.756 70.000	1.221 31.000	0.08 2.03	32214	-	4.921 125.000	1.063 27.000	0.06 1.52	1.309 33.250	TS
2.756 70.000	1.378 35.000	0.12 3.05	30314	-	5.906 150.000	1.181 30.000	0.10 2.54	1.496 38.000	TS
2.756 70.000	1.378 35.000	0.12 3.05	31314M	-	5.906 150.000	0.984 25.000	0.10 2.54	1.496 38.000	TS
2.756 70.000	1.398 35.500	0.12 3.05	JW7049	JW7010	5.512 140.000	1.063 27.000	0.12 3.05	1.535 39.000	TS
2.756 70.000	1.457 37.000	0.08 2.03	33114	-	4.724 120.000	1.142 29.000	0.06 1.52	1.457 37.000	TS
2.756 70.000	1.563 39.688	0.08 2.03	JH913848	JH913811	5.906 150.000	1.000 25.400	0.13 3.30	1.625 41.280	TS
2.756 70.000	1.614 41.000	0.08 2.03	33214	-	4.921 125.000	1.260 32.000	0.06 1.52	1.614 41.000	TS
2.756 70.000	1.654 42.000	0.12 3.05	JF7049	JF7010	5.118 130.000	1.378 35.000	0.10 2.54	1.693 43.000	TS
2.756 70.000	1.654 42.000	0.28 7.00	JF7049A	JF7010	5.118 130.000	1.378 35.000	0.10 2.54	1.693 43.000	TS
2.756 70.000	2.008 51.000	0.12 3.05	32314M	-	5.906 150.000	1.654 42.000	0.10 2.54	2.126 54.000	TS
2.781 70.637	1.000 25.400	0.05 1.27	29680	29620	4.438 112.712	0.750 19.050	0.13 3.30	1.000 25.400	TS
2.781 70.637	1.000 25.400	0.05 1.27	29680	29622D	4.500 114.287	1.813 46.038	0.03 0.76	2.313 58.738	TDO
2.813 71.438	1.172 29.769	0.14 3.50	495-S	493	5.375 136.525	0.875 22.225	0.13 3.30	1.188 30.162	TS
2.813 71.438	1.172 29.769	0.14 3.50	495-S	493D	5.375 136.525	2.125 53.975	0.03 0.76	2.750 69.850	TDO
2.813 71.438	1.172 29.769	0.14 3.50	495-S	493DC	5.375 136.525	2.125 53.975	0.03 0.76	2.750 69.850	TDO
2.813 71.438	1.188 30.162	0.14 3.50	33281	33462	4.625 117.475	0.938 23.812	0.13 3.30	1.188 30.162	TS
2.813 71.438	1.188 30.162	0.14 3.50	33281	33462D	4.625 117.475	2.125 53.975	0.03 0.76	2.625 66.675	TDO
2.813 71.438	1.281 32.545	0.14 3.50	47490	47420	4.724 120.000	1.031 26.195	0.13 3.30	1.281 32.545	TS
2.813 71.438	1.313 33.338	0.14 3.50	47675	47623A	5.375 136.525	1.750 44.450	0.03 0.80	1.750 44.450	TS
2.813 71.438	1.424 36.170	0.14 3.50	567A	563	5.000 127.000	1.125 28.575	0.13 3.30	1.438 36.512	TS

bearing
specification:
0010110111011100110101
0010110111011100110101

TIMKEN®

Tapered Roller Bearings

Bore Size Listing - Continued

Cone			Part Number		Cup			Bearing	
Bore d	Width B	BF Radius R	Cone	Cup	OD D	Width C	BF Radius r	Width T / T1	Brg Type
2.813 71.438	1.424 36.170	0.14 3.50	567A	563D	5.000 127.000	2.563 65.088	0.06 1.52	3.188 80.962	TDO
2.813 71.438	1.438 36.512	0.14 3.50	HM813849	HM813810	5.000 127.000	1.063 26.988	0.13 3.30	1.438 36.512	TS
2.813 71.438	1.625 41.275	0.14 3.50	644	632	5.375 136.525	1.250 31.750	0.13 3.30	1.625 41.275	TS
2.813 71.438	1.625 41.275	0.14 3.50	644	632-B	5.375 136.525	1.250 31.750	0.13 3.30	0.656 16.662	TSF
2.813 71.438	1.625 41.275	0.14 3.50	644	632D	5.375 136.525	3.000 76.200	0.06 1.52	3.750 95.250	TDO
2.813 71.438	1.625 41.275	0.14 3.50	H414249	H414210	5.375 136.525	1.250 31.750	0.13 3.30	1.625 41.275	TS
2.813 71.438	1.625 41.275	0.14 3.50	H414249	H414210-B	5.375 136.525	1.250 31.750	0.13 3.30	0.655 16.637	TSF
2.813 71.438	1.625 41.275	0.25 6.35	645	633	5.125 130.175	1.250 31.750	0.13 3.30	1.625 41.275	TS
2.813 71.438	1.813 46.038	0.14 3.50	H715345	H715311	5.375 136.525	1.438 36.512	0.13 3.30	1.813 46.038	TS
2.875 73.025	1.000 25.400	0.14 3.50	29685	29620	4.438 112.712	0.750 19.050	0.13 3.30	1.000 25.400	TS
2.875 73.025	1.000 25.400	0.14 3.50	29685	29622D	4.500 114.287	1.813 46.038	0.03 0.76	2.313 58.738	TDO
2.875 73.025	1.188 30.162	0.14 3.50	33287	33462	4.625 117.475	0.938 23.812	0.13 3.30	1.188 30.162	TS
2.875 73.025	1.188 30.162	0.14 3.50	33287	33462-B	4.625 117.475	0.938 23.812	0.13 3.30	0.438 11.112	TSF
2.875 73.025	1.188 30.162	0.14 3.50	33287	33462D	4.625 117.475	2.125 53.975	0.03 0.76	2.625 66.675	TDO
2.875 73.025	1.188 30.162	0.14 3.50	33287	33472	4.724 120.000	0.923 23.444	0.03 0.76	1.173 29.794	TS
2.875 73.025	1.421 36.098	0.14 3.50	576	572	5.512 139.992	1.125 28.575	0.13 3.30	1.438 36.512	TS
2.875 73.025	1.421 36.098	0.14 3.50	576	572D	5.512 139.992	2.625 66.675	0.03 0.76	3.250 82.550	TDO
2.875 73.025	1.424 36.170	0.14 3.50	567	563	5.000 127.000	1.125 28.575	0.13 3.30	1.438 36.512	TS
2.875 73.025	1.424 36.170	0.14 3.50	567	563-B	5.000 127.000	1.125 28.575	0.13 3.30	0.563 14.288	TSF
2.875 73.025	1.424 36.170	0.14 3.50	567	563D	5.000 127.000	2.563 65.088	0.06 1.52	3.188 80.962	TDO
2.875 73.025	1.550 39.370	SPCL	M514546	M514512	4.875 123.825	1.031 26.187	0.08 2.00	1.531 38.887	TS
2.875 73.025	1.625 41.275	0.14 3.50	657	653	5.750 146.050	1.250 31.750	0.13 3.30	1.625 41.275	TS

Tapered Roller Bearings

Bore Size Listing - Continued

Bore d	Cone		Part Number		Cup			Bearing	
	Width B	BF Radius R	Cone	Cup	OD D	Width C	BF Radius r	Width T / T1	Brg Type
2.875	1.838	0.14	744	742	5.909	1.438	0.13	1.750	TS
73.025	46.672	3.50			150.089	36.512	3.30	44.450	
2.875	1.838	0.14	744	742D	6.125	3.375	0.06	4.000	TDO
73.025	46.672	3.50			155.575	85.725	1.52	101.600	
2.875	1.900	0.14	762	752	6.375	1.500	0.13	1.875	TS
73.025	48.260	3.50			161.925	38.100	3.30	47.625	
2.875	1.900	0.14	762	752-B	6.375	1.500	0.13	0.687	TSF
73.025	48.260	3.50			161.925	38.100	3.30	17.450	
2.875	1.900	0.14	762	752D	6.375	3.375	0.06	4.125	TDO
73.025	48.260	3.50			161.925	85.725	1.52	104.775	
2.875	1.900	0.14	762	752DC	6.375	3.375	0.06	4.125	TDO
73.025	48.260	3.50			161.925	85.725	1.52	104.775	
2.875	2.135	0.14	6460	6420	5.875	1.750	0.13	2.125	TS
73.025	54.229	3.50			149.225	44.450	3.30	53.975	
2.906	1.000	0.06	29688	29620	4.438	0.750	0.13	1.000	TS
73.817	25.400	1.52			112.712	19.050	3.30	25.400	
2.906	1.000	0.06	29688	29620-B	4.438	0.750	0.13	0.406	TSF
73.817	25.400	1.52			112.712	19.050	3.30	10.320	
2.906	1.000	0.06	29688	29622D	4.500	1.813	0.03	2.313	TDO
73.817	25.400	1.52			114.287	46.038	0.76	58.738	
2.906	1.424	0.03	568	563	5.000	1.125	0.13	1.438	TS
73.817	36.170	0.76			127.000	28.575	3.30	36.512	
2.906	1.424	0.03	568	563-B	5.000	1.125	0.13	0.563	TSF
73.817	36.170	0.76			127.000	28.575	3.30	14.288	
2.906	1.424	0.03	568	563D	5.000	2.563	0.06	3.188	TDO
73.817	36.170	0.76			127.000	65.088	1.52	80.962	
2.938	1.421	0.14	577	572	5.512	1.125	0.13	1.438	TS
74.612	36.098	3.50			139.992	28.575	3.30	36.512	
2.938	1.421	0.14	577	572D	5.512	2.625	0.03	3.250	TDO
74.612	36.098	3.50			139.992	66.675	0.76	82.550	
2.952	0.906	0.08	34294	34500	5.000	0.781	0.13	1.063	TS
74.976	23.012	2.00			127.000	19.842	3.30	26.987	
2.953	0.984	0.06	32015X	-	4.528	0.748	0.06	0.984	TS
75.000	25.000	1.52			115.000	19.000	1.52	25.000	
2.953	0.984	0.08	30215M	-	5.118	0.866	0.06	1.073	TS
75.000	25.000	2.03			130.000	22.000	1.52	27.250	
2.953	0.984	0.12	JLM714149	JLM714110	4.528	0.748	0.10	0.984	TS
75.000	25.000	3.05			115.000	19.000	2.54	25.000	
2.953	1.161	0.12	JM714249	JM714210	4.724	0.984	0.10	1.221	TS
75.000	29.500	3.05			120.000	25.000	2.54	31.000	
2.953	1.161	0.24	JM714249A	JM714210	4.724	0.984	0.10	1.221	TS
75.000	29.500	6.00			120.000	25.000	2.54	31.000	
2.953	1.221	0.06	33015	-	4.528	1.004	0.06	1.221	TS
75.000	31.000	1.52			115.000	25.500	1.52	31.000	

bearing
specification:
0010110111011100110101
0010110111011100110101

TIMKEN®

Tapered Roller Bearings

Bore Size Listing - Continued

Cone			Part Number		Cup			Bearing	
Bore d	Width B	BF Radius R	Cone	Cup	OD D	Width C	BF Radius r	Width T / T1	Brg Type
2.953	1.221	0.08	32215	-	5.118	1.063	0.06	1.309	TS
75.000	31.000	2.03			130.000	27.000	1.52	33.250	
2.953	1.457	0.08	33115	-	4.921	1.142	0.06	1.457	TS
75.000	37.000	2.03			125.000	29.000	1.52	37.000	
2.953	1.457	0.12	30315M	-	6.299	1.221	0.10	1.575	TS
75.000	37.000	3.05			160.000	31.000	2.54	40.000	
2.953	1.457	0.12	31315M	-	6.299	1.024	0.10	1.575	TS
75.000	37.000	3.05			160.000	26.000	2.54	40.000	
2.953	1.614	0.08	33215	-	5.118	1.221	0.06	1.614	TS
75.000	41.000	2.03			130.000	31.000	1.52	41.000	
2.953	2.008	0.12	JH415647	JH415610	5.709	1.654	0.10	2.008	TS
75.000	51.000	3.05			145.000	42.000	2.54	51.000	
2.992	0.906	0.09	34299X	34500	5.000	0.781	0.13	1.063	TS
76.000	23.012	2.30			127.000	19.842	3.30	26.987	
3.000	0.531	0.06	LL714649	LL714610	4.156	0.375	0.06	0.531	TS
76.200	13.495	1.52			105.570	9.525	1.52	13.495	
3.000	0.750	0.06	L814749	L814710	4.313	0.594	0.06	0.750	TS
76.200	19.050	1.52			109.538	15.083	1.52	19.050	
3.000	0.906	0.08	34300	34478	4.781	0.688	0.08	0.969	TS
76.200	23.012	2.03			121.442	17.462	2.03	24.608	
3.000	0.906	0.08	34300	34478D	4.781	1.500	0.03	2.063	TDO
76.200	23.012	2.03			121.442	38.100	0.76	52.390	
3.000	0.906	0.08	34300	34478DC	4.781	1.500	0.03	2.063	TDO
76.200	23.012	2.03			121.442	38.100	0.76	52.390	
3.000	0.906	0.08	34300	34500	5.000	0.781	0.13	1.063	TS
76.200	23.012	2.00			127.000	19.842	3.30	26.987	
3.000	0.906	0.08	34300A	34500	5.000	0.781	0.13	1.063	TS
76.200	23.012	2.00			127.000	19.842	3.30	26.987	
3.000	0.906	0.14	34301	34478	4.781	0.688	0.08	0.969	TS
76.200	23.012	3.50			121.442	17.462	2.03	24.608	
3.000	0.906	0.14	34301	34478D	4.781	1.500	0.03	2.063	TDO
76.200	23.012	3.50			121.442	38.100	0.76	52.390	
3.000	0.906	0.14	34301	34478DC	4.781	1.500	0.03	2.063	TDO
76.200	23.012	3.50			121.442	38.100	0.76	52.390	
3.000	0.906	0.14	34301	34500	5.000	0.781	0.13	1.063	TS
76.200	23.012	3.50			127.000	19.842	3.30	26.987	
3.000	1.000	0.14	27684	27620	4.938	0.781	0.06	1.000	TS
76.200	25.400	3.50			125.412	19.845	1.52	25.400	
3.000	1.172	0.14	495A	493	5.375	0.875	0.13	1.188	TS
76.200	29.769	3.50			136.525	22.225	3.30	30.162	
3.000	1.172	0.14	495A	493D	5.375	2.125	0.03	2.750	TDO
76.200	29.769	3.50			136.525	53.975	0.76	69.850	
3.000	1.172	0.14	495A	493DC	5.375	2.125	0.03	2.750	TDO
76.200	29.769	3.50			136.525	53.975	0.76	69.850	

Tapered Roller Bearings

Bore Size Listing - Continued

Bore d	Cone		Part Number		Cup			Bearing	
	Width B	BF Radius R	Cone	Cup	OD D	Width C	BF Radius r	Width T / T1	Brg Type
3.000 76.200	1.172 29.769	0.25 6.35	495AX	493	5.375 136.525	0.875 22.225	0.13 3.30	1.188 30.162	TS
3.000 76.200	1.172 29.769	0.25 6.35	495AX	493D	5.375 136.525	2.125 53.975	0.03 0.76	2.750 69.850	TDO
3.000 76.200	1.172 29.769	0.25 6.35	495AX	493DC	5.375 136.525	2.125 53.975	0.03 0.76	2.750 69.850	TDO
3.000 76.200	1.221 31.000	0.14 3.50	42687	42620	5.000 127.000	0.875 22.225	0.13 3.30	1.188 30.162	TS
3.000 76.200	1.221 31.000	0.25 6.35	42688	42620	5.000 127.000	0.875 22.225	0.13 3.30	1.188 30.162	TS
3.000 76.200	1.313 33.338	0.03 0.76	47680	47620	5.250 133.350	1.031 26.195	0.13 3.30	1.313 33.338	TS
3.000 76.200	1.313 33.338	0.03 0.80	47680	47623A	5.375 136.525	1.750 44.450	0.03 0.80	1.750 44.450	TS
3.000 76.200	1.313 33.338	0.14 3.50	47679	47620	5.250 133.350	1.031 26.195	0.13 3.30	1.313 33.338	TS
3.000 76.200	1.313 33.338	0.14 3.50	47679	47623A	5.375 136.525	1.750 44.450	0.03 0.80	1.750 44.450	TS
3.000 76.200	1.313 33.338	0.14 3.50	47679W	47623A	5.375 136.525	1.750 44.450	0.03 0.80	1.750 44.450	TS
3.000 76.200	1.313 33.338	0.25 6.35	47678	47620	5.250 133.350	1.031 26.195	0.13 3.30	1.313 33.338	TS
3.000 76.200	1.313 33.338	0.25 6.40	47678	47623A	5.375 136.525	1.750 44.450	0.03 0.80	1.750 44.450	TS
3.000 76.200	1.421 36.098	0.14 3.50	575	572	5.512 139.992	1.125 28.575	0.13 3.30	1.438 36.512	TS
3.000 76.200	1.421 36.098	0.14 3.50	575	572D	5.512 139.992	2.625 66.675	0.03 0.76	3.250 82.550	TDO
3.000 76.200	1.421 36.098	0.27 6.80	575-S	572	5.512 139.992	1.125 28.575	0.13 3.30	1.438 36.512	TS
3.000 76.200	1.421 36.098	0.27 6.80	575-S	572D	5.512 139.992	2.625 66.675	0.03 0.76	3.250 82.550	TDO
3.000 76.200	1.430 36.322	0.14 3.50	590A	592A	6.000 152.400	1.188 30.162	0.13 3.30	1.563 39.688	TS
3.000 76.200	1.430 36.322	0.14 3.50	590A	592D	6.000 152.400	2.500 63.500	0.03 0.76	3.250 82.550	TDO
3.000 76.200	1.563 39.688	0.14 3.50	HM516442	HM516410	5.250 133.350	1.281 32.545	0.13 3.30	1.563 39.688	TS
3.000 76.200	1.563 39.688	0.14 3.50	HM516442	HM516414-B	5.375 136.525	1.281 32.545	0.06 1.50	0.485 12.319	TSF
3.000 76.200	1.625 41.275	0.14 3.50	659	653	5.750 146.050	1.250 31.750	0.13 3.30	1.625 41.275	TS
3.000 76.200	1.813 46.038	0.14 3.50	9285	9220	6.375 161.925	1.250 31.750	0.13 3.30	1.938 49.212	TS

bearing
specification:
0010110111011100110101
0010110111011100110101

TIMKEN®

Tapered Roller Bearings

Bore Size Listing - Continued

Cone			Part Number		Cup			Bearing	
Bore d	Width B	BF Radius R	Cone	Cup	OD D	Width C	BF Radius r	Width T / T1	Brg Type
3.000	1.813	0.14	9285	9220D	6.375	2.781	0.03	4.156	TDO
76.200	46.038	3.50			161.925	70.637	0.76	105.562	
3.000	1.813	0.14	9380	9320D	7.000	2.938	0.09	4.313	TDO
76.200	46.038	3.50			177.800	74.612	2.29	109.538	
3.000	1.813	0.14	9380	9321	6.750	1.250	0.13	1.938	TS
76.200	46.038	3.50			171.450	31.750	3.30	49.212	
3.000	1.813	0.14	9380	9321-B	6.750	1.250	0.13	1.000	TSF
76.200	46.038	3.50			171.450	31.750	3.30	25.400	
3.000	1.815	0.14	5760	5735	5.344	1.375	0.13	1.750	TS
76.200	46.100	3.50			135.733	34.925	3.30	44.450	
3.000	1.838	0.14	748-S	742	5.909	1.438	0.13	1.750	TS
76.200	46.672	3.50			150.089	36.512	3.30	44.450	
3.000	1.838	0.14	748-S	742D	6.125	3.375	0.06	4.000	TDO
76.200	46.672	3.50			155.575	85.725	1.52	101.600	
3.000	1.900	0.14	755	752	6.375	1.500	0.13	1.875	TS
76.200	48.260	3.50			161.925	38.100	3.30	47.625	
3.000	1.900	0.14	755	752-B	6.375	1.500	0.13	0.687	TSF
76.200	48.260	3.50			161.925	38.100	3.30	17.450	
3.000	1.900	0.14	755	752D	6.375	3.375	0.06	4.125	TDO
76.200	48.260	3.50			161.925	85.725	1.52	104.775	
3.000	1.900	0.14	755	752DC	6.375	3.375	0.06	4.125	TDO
76.200	48.260	3.50			161.925	85.725	1.52	104.775	
3.000	1.900	0.14	755W	752-B	6.375	1.500	0.13	0.687	TSF
76.200	48.260	3.50			161.925	38.100	3.30	17.450	
3.000	2.094	0.14	H917840	H917810	7.125	1.406	0.13	2.125	TS
76.200	53.183	3.50			180.975	35.720	3.30	53.975	
3.000	2.135	0.14	6461	6420	5.875	1.750	0.13	2.125	TS
76.200	54.229	3.50			149.225	44.450	3.30	53.975	
3.000	2.135	0.25	6466	6420	5.875	1.750	0.13	2.125	TS
76.200	54.229	6.40			149.225	44.450	3.30	53.975	
3.000	2.135	0.25	6466	6420A	5.875	1.750	0.03	2.125	TS
76.200	54.229	6.40			149.225	44.450	0.80	53.975	
3.000	2.135	0.25	6466	6424	5.906	1.772	0.12	2.126	TS
76.200	54.229	6.40			150.000	45.000	3.00	54.000	
3.000	2.135	0.25	6466	6427	6.188	1.750	0.13	2.125	TS
76.200	54.229	6.40			157.162	44.450	3.30	53.975	
3.000	2.135	0.38	6461A	6420	5.875	1.750	0.13	2.125	TS
76.200	54.229	9.70			149.225	44.450	3.30	53.975	
3.000	2.135	0.38	6461A	6420-B	5.875	1.750	0.13	0.688	TSF
76.200	54.229	9.70			149.225	44.450	3.30	17.462	
3.000	2.135	0.38	6461A	6420A	5.875	1.750	0.03	2.125	TS
76.200	54.229	9.70			149.225	44.450	0.80	53.975	
3.000	2.135	0.38	6461A	6424	5.906	1.772	0.12	2.126	TS
76.200	54.229	9.70			150.000	45.000	3.00	54.000	

Tapered Roller Bearings

Bore Size Listing - Continued

Bore d	Cone		Part Number		OD D	Cup		Bearing	
	Width B	BF Radius R	Cone	Cup		Width C	BF Radius r	Width T / T1	Brg Type
3.000 76.200	2.135 54.229	0.38 9.70	6461A	6427	6.188 157.162	1.750 44.450	0.13 3.30	2.125 53.975	TS
3.000 76.200	2.169 55.100	0.14 3.50	6576	6535W	6.375 161.925	1.688 42.862	0.13 3.30	2.125 53.975	TS
3.000 76.200	2.169 55.100	0.14 3.50	6576C	6535	6.375 161.925	1.688 42.862	0.13 3.30	2.125 53.975	TS
3.000 76.200	2.169 55.100	0.25 6.35	6575	6535	6.375 161.925	1.688 42.862	0.13 3.30	2.125 53.975	TS
3.000 76.200	2.265 57.531	0.14 3.50	HH221430	HH221410	7.500 190.500	1.813 46.038	0.13 3.30	2.250 57.150	TS
3.046 77.356	0.906 23.012	0.14 3.50	34304	34500	5.000 127.000	0.781 19.842	0.13 3.30	1.063 26.987	TS
3.063 77.788	0.906 23.012	0.06 1.50	34306W	34500	5.000 127.000	0.781 19.842	0.13 3.30	1.063 26.987	TS
3.063 77.788	0.906 23.012	0.14 3.50	34306	34478	4.781 121.442	0.688 17.462	0.08 2.03	0.969 24.608	TS
3.063 77.788	0.906 23.012	0.14 3.50	34306	34478-B	4.781 121.442	0.688 17.462	0.06 1.52	0.469 11.908	TSF
3.063 77.788	0.906 23.012	0.14 3.50	34306	34478D	4.781 121.442	1.500 38.100	0.03 0.76	2.063 52.390	TDO
3.063 77.788	0.906 23.012	0.14 3.50	34306	34478DC	4.781 121.442	1.500 38.100	0.03 0.76	2.063 52.390	TDO
3.063 77.788	0.906 23.012	0.14 3.50	34306	34500	5.000 127.000	0.781 19.842	0.13 3.30	1.063 26.987	TS
3.063 77.788	0.906 23.012	0.25 6.40	34307	34500	5.000 127.000	0.781 19.842	0.13 3.30	1.063 26.987	TS
3.063 77.788	1.000 25.400	0.14 3.50	LM814849	LM814810	4.625 117.475	0.750 19.050	0.13 3.30	1.000 25.400	TS
3.063 77.788	1.000 25.400	0.14 3.50	LM814849	LM814810-B	4.625 117.475	0.750 19.050	0.13 3.30	0.438 11.112	TSF
3.063 77.788	1.221 31.000	0.14 3.50	42690	42620	5.000 127.000	0.875 22.225	0.13 3.30	1.188 30.162	TS
3.063 77.788	1.813 46.038	0.14 3.50	H715348	H715310-B	5.500 139.700	1.438 36.512	0.13 3.30	0.688 17.462	TSF
3.063 77.788	1.813 46.038	0.14 3.50	H715348	H715311	5.375 136.525	1.438 36.512	0.13 3.30	1.813 46.038	TS
3.063 77.788	1.815 46.100	0.14 3.50	5795	5735	5.344 135.733	1.375 34.925	0.13 3.30	1.750 44.450	TS
3.125 79.375	1.430 36.322	0.14 3.50	595A	592	6.000 152.400	1.313 33.338	0.13 3.30	1.563 39.687	TS
3.125 79.375	1.430 36.322	0.14 3.50	595A	593X	5.906 150.000	1.063 27.000	0.12 3.00	1.417 35.992	TS
3.125 79.375	1.625 41.275	0.14 3.50	661	653	5.750 146.050	1.250 31.750	0.13 3.30	1.625 41.275	TS

Tapered Roller Bearings

Bore Size Listing - Continued

Cone			Part Number		Cup			Bearing	
Bore d	Width B	BF Radius R	Cone	Cup	OD D	Width C	BF Radius r	Width T / T1	Brg Type
3.125 79.375	1.900 48.260	0.31 8.00	756A	752	6.375 161.925	1.500 38.100	0.13 3.30	1.875 47.625	TS
3.125 79.375	1.900 48.260	0.31 8.00	756A	752-B	6.375 161.925	1.500 38.100	0.13 3.30	0.687 17.450	TSF
3.125 79.375	1.900 48.260	0.31 8.00	756A	752D	6.375 161.925	3.375 85.725	0.06 1.52	4.125 104.775	TDO
3.125 79.375	1.900 48.260	0.31 8.00	756A	752DC	6.375 161.925	3.375 85.725	0.06 1.52	4.125 104.775	TDO
3.125 79.375	2.265 57.531	0.14 3.50	HH221431	HH221410	7.500 190.500	1.813 46.038	0.13 3.30	2.250 57.150	TS
3.149 79.985	1.421 36.098	0.14 3.50	578	572	5.512 139.992	1.125 28.575	0.13 3.30	1.438 36.512	TS
3.149 79.975	1.575 40.000	0.28 7.00	HM218238	HM218210	5.786 146.975	1.280 32.500	0.14 3.50	1.575 40.000	TS
3.150 80.000	0.886 22.500	0.08 2.03	JP8049	JP8010	4.921 125.000	0.689 17.500	0.08 2.03	0.945 24.000	TS
3.150 80.000	0.886 22.500	0.08 2.03	JP8049	JP8010-B	4.921 125.000	0.689 17.500	0.08 2.03	0.413 10.500	TSF
3.150 80.000	1.024 26.000	0.10 2.54	30216M	-	5.512 140.000	0.866 22.000	0.08 2.03	1.112 28.250	TS
3.150 80.000	1.142 29.000	0.06 1.52	32016X	-	4.921 125.000	0.866 22.000	0.06 1.52	1.142 29.000	TS
3.150 80.000	1.299 33.000	0.10 2.54	32216	-	5.512 140.000	1.102 28.000	0.08 2.03	1.388 35.250	TS
3.150 80.000	1.339 34.000	0.12 3.05	JM515649	JM515610	5.118 130.000	1.122 28.500	0.10 2.54	1.378 35.000	TS
3.150 80.000	1.457 37.000	0.08 2.00	33116	-	5.118 130.000	1.142 29.000	0.06 1.50	1.457 37.000	TS
3.150 80.000	1.457 37.000	0.08 2.03	33116M	-	5.118 130.000	1.142 29.000	0.06 1.52	1.457 37.000	TS
3.150 80.000	1.535 39.000	0.12 3.05	30316M	-	6.693 170.000	1.299 33.000	0.10 2.54	1.673 42.500	TS
3.150 80.000	1.614 41.000	0.12 3.05	JW8049	JW8010	6.299 160.000	1.221 31.000	0.12 3.05	1.772 45.000	TS
3.150 80.000	1.811 46.000	0.10 2.54	33216	-	5.512 140.000	1.378 35.000	0.08 2.03	1.811 46.000	TS
3.150 80.000	1.938 49.212	0.14 3.50	98316	98789D	7.875 200.025	3.158 80.216	0.09 2.29	4.563 115.888	TDO
3.150 80.000	2.284 58.000	0.12 3.05	32316M	-	6.693 170.000	1.890 48.000	0.10 2.54	2.421 61.500	TS
3.188 80.962	1.172 29.769	0.14 3.50	496	493	5.375 136.525	0.875 22.225	0.13 3.30	1.188 30.162	TS
3.188 80.962	1.172 29.769	0.14 3.50	496	493D	5.375 136.525	2.125 53.975	0.03 0.76	2.750 69.850	TDO

Tapered Roller Bearings

Bore Size Listing - Continued

Cone			Part Number		Cup			Bearing	
Bore d	Width B	BF Radius R	Cone	Cup	OD D	Width C	BF Radius r	Width T / T1	Brg Type
3.188	1.172	0.14	496	493DC	5.375	2.125	0.03	2.750	TDO
80.962	29.769	3.50			136.525	53.975	0.76	69.850	
3.188	1.313	0.14	47681	47620	5.250	1.031	0.13	1.313	TS
80.962	33.338	3.50			133.350	26.195	3.30	33.338	
3.188	1.313	0.14	47681	47623A	5.375	1.750	0.03	1.750	TS
80.962	33.338	3.50			136.525	44.450	0.80	44.450	
3.188	1.421	0.14	581	572	5.512	1.125	0.13	1.438	TS
80.962	36.098	3.50			139.992	28.575	3.30	36.512	
3.188	1.421	0.14	581	572D	5.512	2.625	0.03	3.250	TDO
80.962	36.098	3.50			139.992	66.675	0.76	82.550	
3.188	1.563	0.14	HM516447	HM516414-B	5.375	1.281	0.06	0.485	TSF
80.962	39.688	3.50			136.525	32.545	1.50	12.319	
3.188	1.838	0.20	740	742	5.909	1.438	0.13	1.750	TS
80.962	46.672	5.00			150.089	36.512	3.30	44.450	
3.188	1.838	0.20	740	742D	6.125	3.375	0.06	4.000	TDO
80.962	46.672	5.00			155.575	85.725	1.52	101.600	
3.250	0.844	0.06	L116149	L116110	4.563	0.656	0.06	0.813	TS
82.550	21.433	1.52			115.888	16.670	1.52	20.638	
3.250	0.844	0.06	L116149	L116110D	4.563	1.563	0.03	1.875	TDO
82.550	21.433	1.52			115.888	39.690	0.76	47.625	
3.250	1.000	0.14	27687	27620	4.938	0.781	0.06	1.000	TS
82.550	25.400	3.50			125.412	19.845	1.52	25.400	
3.250	1.172	0.14	495	493	5.375	0.875	0.13	1.188	TS
82.550	29.769	3.50			136.525	22.225	3.30	30.162	
3.250	1.172	0.14	495	493D	5.375	2.125	0.03	2.750	TDO
82.550	29.769	3.50			136.525	53.975	0.76	69.850	
3.250	1.172	0.14	495	493DC	5.375	2.125	0.03	2.750	TDO
82.550	29.769	3.50			136.525	53.975	0.76	69.850	
3.250	1.313	0.03	47685	47623A	5.375	1.750	0.03	1.750	TS
82.550	33.338	0.80			136.525	44.450	0.80	44.450	
3.250	1.313	0.14	47686	47620	5.250	1.031	0.13	1.313	TS
82.550	33.338	3.50			133.350	26.195	3.30	33.338	
3.250	1.313	0.14	47686	47620A	5.250	1.031	0.03	1.313	TS
82.550	33.338	3.50			133.350	26.195	0.76	33.338	
3.250	1.313	0.14	47686	47623A	5.375	1.750	0.03	1.750	TS
82.550	33.338	3.50			136.525	44.450	0.80	44.450	
3.250	1.313	0.27	47687	47620	5.250	1.031	0.13	1.313	TS
82.550	33.338	6.80			133.350	26.195	3.30	33.338	
3.250	1.313	0.27	47687	47623A	5.375	1.750	0.03	1.750	TS
82.550	33.338	6.80			136.525	44.450	0.80	44.450	
3.250	1.421	0.14	580	572	5.512	1.125	0.13	1.438	TS
82.550	36.098	3.50			139.992	28.575	3.30	36.512	
3.250	1.421	0.14	580	572-B	5.512	1.125	0.13	0.563	TSF
82.550	36.098	3.50			139.992	28.575	3.30	14.288	

bearing
specification:
0010110111011100110101
0010110111011100110101

TIMKEN®

Tapered Roller Bearings

Bore Size Listing - Continued

Cone			Part Number		Cup			Bearing	
Bore d	Width B	BF Radius R	Cone	Cup	OD D	Width C	BF Radius r	Width T / T1	Brg Type
3.250	1.421	0.14	580	572D	5.512	2.625	0.03	3.250	TDO
82.550	36.098	3.50			139.992	66.675	0.76	82.550	
3.250	1.421	0.27	582	572	5.512	1.125	0.13	1.438	TS
82.550	36.098	6.80			139.992	28.575	3.30	36.512	
3.250	1.421	0.27	582	572D	5.512	2.625	0.03	3.250	TDO
82.550	36.098	6.80			139.992	66.675	0.76	82.550	
3.250	1.430	0.14	595	592A	6.000	1.188	0.13	1.563	TS
82.550	36.322	3.50			152.400	30.162	3.30	39.688	
3.250	1.430	0.14	595	592D	6.000	2.500	0.03	3.250	TDO
82.550	36.322	3.50			152.400	63.500	0.76	82.550	
3.250	1.563	0.14	HM516449C	HM516410	5.250	1.281	0.13	1.563	TS
82.550	39.688	3.50			133.350	32.545	3.30	39.688	
3.250	1.563	0.14	HM516449C	HM516414-B	5.375	1.281	0.06	0.485	TSF
82.550	39.688	3.50			136.525	32.545	1.50	12.319	
3.250	1.563	0.27	HM516448	HM516410	5.250	1.281	0.13	1.563	TS
82.550	39.688	6.80			133.350	32.545	3.30	39.688	
3.250	1.563	0.27	HM516448	HM516414-B	5.375	1.281	0.06	0.485	TSF
82.550	39.688	6.80			136.525	32.545	1.50	12.319	
3.250	1.563	SPCL	HM516449A	HM516410	5.250	1.281	0.13	1.563	TS
82.550	39.688				133.350	32.545	3.30	39.688	
3.250	1.563	SPCL	HM516449A	HM516414-B	5.375	1.281	0.06	0.485	TSF
82.550	39.688				136.525	32.545	1.50	12.319	
3.250	1.625	0.14	663	652	6.000	1.250	0.13	1.625	TS
82.550	41.275	3.50			152.400	31.750	3.30	41.275	
3.250	1.625	0.14	663	652-B	6.000	1.250	0.13	0.656	TSF
82.550	41.275	3.50			152.400	31.750	3.30	16.667	
3.250	1.625	0.14	663	653	5.750	1.250	0.13	1.625	TS
82.550	41.275	3.50			146.050	31.750	3.30	41.275	
3.250	1.625	0.27	663A	652	6.000	1.250	0.13	1.625	TS
82.550	41.275	6.80			152.400	31.750	3.30	41.275	
3.250	1.625	0.27	663A	652A	5.875	1.250	0.13	1.625	TS
82.550	41.275	6.80			149.225	31.750	3.30	41.275	
3.250	1.625	0.27	663A	653	5.750	1.250	0.13	1.625	TS
82.550	41.275	6.80			146.050	31.750	3.30	41.275	
3.250	1.625	0.27	663A	653X	5.906	1.250	0.12	1.625	TS
82.550	41.275	6.80			150.000	31.750	3.00	41.275	
3.250	1.838	0.14	749A	742	5.909	1.438	0.13	1.750	TS
82.550	46.672	3.50			150.089	36.512	3.30	44.450	
3.250	1.838	0.14	749A	742D	6.125	3.375	0.06	4.000	TDO
82.550	46.672	3.50			155.575	85.725	1.52	101.600	
3.250	1.838	0.26	750A	742	5.909	1.438	0.13	1.750	TS
82.550	46.672	6.50			150.089	36.512	3.30	44.450	
3.250	1.838	0.26	750A	742D	6.125	3.375	0.06	4.000	TDO
82.550	46.672	6.50			155.575	85.725	1.52	101.600	

Tapered Roller Bearings

Bore Size Listing - Continued

Cone			Part Number		Cup			Bearing	
Bore d	Width B	BF Radius R	Cone	Cup	OD D	Width C	BF Radius r	Width T / T1	Brg Type
3.250	1.900	0.14	757	752	6.375	1.500	0.13	1.875	TS
82.550	48.260	3.50			161.925	38.100	3.30	47.625	
3.250	1.900	0.14	757	752-B	6.375	1.500	0.13	0.687	TSF
82.550	48.260	3.50			161.925	38.100	3.30	17.450	
3.250	1.900	0.14	757	752D	6.375	3.375	0.06	4.125	TDO
82.550	48.260	3.50			161.925	85.725	1.52	104.775	
3.250	1.900	0.14	757	752DC	6.375	3.375	0.06	4.125	TDO
82.550	48.260	3.50			161.925	85.725	1.52	104.775	
3.250	1.900	0.14	757W	752-B	6.375	1.500	0.13	0.687	TSF
82.550	48.260	3.50			161.925	38.100	3.30	17.450	
3.250	1.900	0.44	756	752-B	6.375	1.500	0.13	0.687	TSF
82.550	48.260	11.20			161.925	38.100	3.30	17.450	
3.250	2.169	0.14	6559C	6535	6.375	1.688	0.13	2.125	TS
82.550	55.100	3.50			161.925	42.862	3.30	53.975	
3.250	2.219	0.14	842	832	6.625	1.625	0.13	2.125	TS
82.550	56.363	3.50			168.275	41.275	3.30	53.975	
3.281	1.000	0.03	27689	27620	4.938	0.781	0.06	1.000	TS
83.345	25.400	0.76			125.412	19.845	1.52	25.400	
3.281	1.000	0.14	27690	27620	4.938	0.781	0.06	1.000	TS
83.345	25.400	3.50			125.412	19.845	1.52	25.400	
3.281	1.000	0.14	27690	27620-B	4.938	0.781	0.06	0.406	TSF
83.345	25.400	3.50			125.412	19.845	1.52	10.317	
3.281	1.000	0.25	27691	27620	4.938	0.781	0.06	1.000	TS
83.345	25.400	6.35			125.412	19.845	1.52	25.400	
3.281	1.313	0.14	47688	47620	5.250	1.031	0.13	1.313	TS
83.345	33.338	3.50			133.350	26.195	3.30	33.338	
3.281	1.313	0.14	47688	47623A	5.375	1.750	0.03	1.750	TS
83.345	33.338	3.50			136.525	44.450	0.80	44.450	
3.313	1.172	0.14	498	493	5.375	0.875	0.13	1.188	TS
84.138	29.769	3.50			136.525	22.225	3.30	30.162	
3.313	1.172	0.14	498	493D	5.375	2.125	0.03	2.750	TDO
84.138	29.769	3.50			136.525	53.975	0.76	69.850	
3.313	1.172	0.14	498	493DC	5.375	2.125	0.03	2.750	TDO
84.138	29.769	3.50			136.525	53.975	0.76	69.850	
3.313	1.813	0.14	9386H	9320D	7.000	2.938	0.09	4.313	TDO
84.138	46.038	3.50			177.800	74.612	2.29	109.538	
3.313	1.813	0.14	9386H	9321	6.750	1.250	0.13	1.938	TS
84.138	46.038	3.50			171.450	31.750	3.30	49.212	
3.313	1.813	0.14	9386H	9321-B	6.750	1.250	0.13	1.000	TSF
84.138	46.038	3.50			171.450	31.750	3.30	25.400	
3.347	1.102	0.10	30217M	-	5.906	0.945	0.08	1.201	TS
85.000	28.000	2.54			150.000	24.000	2.03	30.500	
3.347	1.142	0.06	32017X	-	5.118	0.866	0.06	1.142	TS
85.000	29.000	1.52			130.000	22.000	1.52	29.000	

bearing
specification:
0010110111011100110101
0010110111011100110101

TIMKEN®

Tapered Roller Bearings

Bore Size Listing - Continued

Cone			Part Number		Cup			Bearing	
Bore d	Width B	BF Radius R	Cone	Cup	OD D	Width C	BF Radius r	Width T / T1	Brg Type
3.347 85.000	1.142 29.000	0.12 3.05	JM716649	JM716610	5.118 130.000	0.945 24.000	0.10 2.54	1.181 30.000	TS
3.347 85.000	1.142 29.000	0.12 3.05	JM716649	JM716610-B	5.118 130.000	0.945 24.000	0.10 2.54	0.455 11.560	TSF
3.347 85.000	1.142 29.000	0.24 6.00	JM716648	JM716610	5.118 130.000	0.945 24.000	0.10 2.54	1.181 30.000	TS
3.347 85.000	1.417 36.000	0.06 1.52	33017	-	5.118 130.000	1.161 29.500	0.06 1.52	1.417 36.000	TS
3.347 85.000	1.417 36.000	0.10 2.54	32217	-	5.906 150.000	1.181 30.000	0.08 2.03	1.516 38.500	TS
3.347 85.000	1.417 36.000	0.10 2.54	32217M	-	5.906 150.000	1.181 30.000	0.08 2.03	1.516 38.500	TS
3.347 85.000	1.496 38.000	0.12 3.05	JHM516849	JHM516810	5.512 140.000	1.240 31.500	0.10 2.54	1.535 39.000	TS
3.347 85.000	1.614 41.000	0.10 2.54	33117	-	5.512 140.000	1.260 32.000	0.08 2.03	1.614 41.000	TS
3.347 85.000	1.614 41.000	0.16 4.00	30317M	-	7.087 180.000	1.339 34.000	0.12 3.05	1.752 44.500	TS
3.347 85.000	1.811 46.000	0.12 3.05	JH217249	JH217210	5.906 150.000	1.496 38.000	0.10 2.54	1.811 46.000	TS
3.347 85.000	1.909 48.489	0.12 3.00	762X	752-B	6.375 161.925	1.500 38.100	0.13 3.30	0.702 17.831	TSF
3.347 85.000	1.929 49.000	0.10 2.54	33217	-	5.906 150.000	1.457 37.000	0.08 2.03	1.929 49.000	TS
3.347 85.000	1.938 49.212	0.14 3.50	98335	98789D	7.875 200.025	3.158 80.216	0.09 2.29	4.563 115.888	TDO
3.347 85.000	2.077 52.761	0.14 3.50	90334	90744	7.438 188.912	1.250 31.750	0.13 3.30	2.098 53.297	TS
3.348 85.026	1.838 46.672	0.14 3.50	749	742	5.909 150.089	1.438 36.512	0.13 3.30	1.750 44.450	TS
3.348 85.026	1.838 46.672	0.14 3.50	749	742-B	5.909 150.089	1.438 36.512	0.13 3.30	0.625 15.875	TSF
3.348 85.026	1.838 46.672	0.14 3.50	749	742D	6.125 155.575	3.375 85.725	0.06 1.52	4.000 101.600	TDO
3.348 85.026	1.838 46.672	0.20 5.00	749-S	742	5.909 150.089	1.438 36.512	0.13 3.30	1.750 44.450	TS
3.348 85.026	1.838 46.672	0.20 5.00	749-S	742D	6.125 155.575	3.375 85.725	0.06 1.52	4.000 101.600	TDO
3.375 85.725	1.172 29.769	0.14 3.50	497	492A	5.250 133.350	0.875 22.225	0.13 3.30	1.188 30.162	TS
3.375 85.725	1.172 29.769	0.14 3.50	497	493	5.375 136.525	0.875 22.225	0.13 3.30	1.188 30.162	TS
3.375 85.725	1.172 29.769	0.14 3.50	497	493-B	5.375 136.525	0.875 22.225	0.13 3.30	0.531 13.475	TSF

Tapered Roller Bearings

Bore Size Listing - Continued

Bore d	Cone		Part Number		OD D	Cup		Bearing	
	Width B	BF Radius R	Cone	Cup		Width C	BF Radius r	Width T / T1	Brg Type
3.375 85.725	1.172 29.769	0.14 3.50	497	493D	5.375 136.525	2.125 53.975	0.03 0.76	2.750 69.850	TDO
3.375 85.725	1.172 29.769	0.14 3.50	497	493DC	5.375 136.525	2.125 53.975	0.03 0.76	2.750 69.850	TDO
3.375 85.725	1.172 29.769	0.25 6.35	497A	493	5.375 136.525	0.875 22.225	0.13 3.30	1.188 30.162	TS
3.375 85.725	1.172 29.769	0.25 6.35	497A	493D	5.375 136.525	2.125 53.975	0.03 0.76	2.750 69.850	TDO
3.375 85.725	1.172 29.769	0.25 6.35	497A	493DC	5.375 136.525	2.125 53.975	0.03 0.76	2.750 69.850	TDO
3.375 85.725	1.430 36.322	0.14 3.50	596	592A	6.000 152.400	1.188 30.162	0.13 3.30	1.563 39.688	TS
3.375 85.725	1.430 36.322	0.14 3.50	596	592D	6.000 152.400	2.500 63.500	0.03 0.76	3.250 82.550	TDO
3.375 85.725	1.625 41.275	0.14 3.50	665	652-B	6.000 152.400	1.250 31.750	0.13 3.30	0.656 16.667	TSF
3.375 85.725	1.625 41.275	0.14 3.50	665	653	5.750 146.050	1.250 31.750	0.13 3.30	1.625 41.275	TS
3.375 85.725	1.625 41.275	0.14 3.50	677	672	6.625 168.275	1.188 30.162	0.13 3.30	1.625 41.275	TS
3.375 85.725	1.625 41.275	0.14 3.50	677	672D	6.625 168.275	2.750 69.850	0.03 0.76	3.625 92.075	TDO
3.375 85.725	1.625 41.275	0.25 6.35	665A	653	5.750 146.050	1.250 31.750	0.13 3.30	1.625 41.275	TS
3.375 85.725	1.688 42.862	0.19 4.83	HM617049	HM617010	5.596 142.138	1.344 34.133	0.13 3.30	1.688 42.862	TS
3.375 85.725	1.750 44.450	0.03 0.76	L217845D	L217810	4.875 123.825	0.656 16.670	0.06 1.52	1.625 41.278	TDI
3.375 85.725	1.900 48.260	0.14 3.50	758	752	6.375 161.925	1.500 38.100	0.13 3.30	1.875 47.625	TS
3.375 85.725	1.900 48.260	0.14 3.50	758	752-B	6.375 161.925	1.500 38.100	0.13 3.30	0.687 17.450	TSF
3.375 85.725	1.900 48.260	0.14 3.50	758	752D	6.375 161.925	3.375 85.725	0.06 1.52	4.125 104.775	TDO
3.375 85.725	1.900 48.260	0.14 3.50	758	752DC	6.375 161.925	3.375 85.725	0.06 1.52	4.125 104.775	TDO
3.375 85.725	1.900 48.260	0.14 3.50	758W	752-B	6.375 161.925	1.500 38.100	0.13 3.30	0.687 17.450	TSF
3.375 85.725	2.219 56.363	0.14 3.50	841	832	6.625 168.275	1.625 41.275	0.13 3.30	2.125 53.975	TS
3.375 85.725	2.219 56.363	0.14 3.50	841	832-B	6.625 168.275	1.625 41.275	0.13 3.30	0.875 22.225	TSF
3.463 87.960	1.141 28.971	0.12 3.05	42346	42584	5.844 148.430	0.844 21.433	0.12 3.05	1.125 28.575	TS

bearing
specification:
0010110111011100110101
0010110111011100110101

TIMKEN®

Tapered Roller Bearings

Bore Size Listing - Continued

Cone			Part Number		Cup			Bearing	
Bore d	Width B	BF Radius R	Cone	Cup	OD D	Width C	BF Radius r	Width T / T1	Brg Type
3.463	1.141	0.12	42346	42587D	5.875	2.063	0.03	2.625	TDO
87.960	28.971	3.05			149.225	52.388	0.76	66.672	
3.500	0.594	0.06	LL217849	LL217810	4.781	0.438	0.06	0.594	TS
88.900	15.083	1.52			121.442	11.112	1.52	15.083	
3.500	0.813	0.06	L217849	L217810	4.875	0.656	0.06	0.813	TS
88.900	20.638	1.52			123.825	16.670	1.52	20.638	
3.500	0.813	0.06	L217849	L217810D	4.875	1.688	0.03	2.000	TDO
88.900	20.638	1.52			123.825	42.862	0.76	50.797	
3.500	1.141	0.12	42350	42584	5.844	0.844	0.12	1.125	TS
88.900	28.971	3.05			148.430	21.433	3.05	28.575	
3.500	1.141	0.12	42350	42587D	5.875	2.063	0.03	2.625	TDO
88.900	28.971	3.05			149.225	52.388	0.76	66.672	
3.500	1.430	0.14	593	592A	6.000	1.188	0.13	1.563	TS
88.900	36.322	3.50			152.400	30.162	3.30	39.688	
3.500	1.430	0.14	593	592D	6.000	2.500	0.03	3.250	TDO
88.900	36.322	3.50			152.400	63.500	0.76	82.550	
3.500	1.430	0.25	593A	592A	6.000	1.188	0.13	1.563	TS
88.900	36.322	6.35			152.400	30.162	3.30	39.688	
3.500	1.430	0.25	593A	592D	6.000	2.500	0.03	3.250	TDO
88.900	36.322	6.35			152.400	63.500	0.76	82.550	
3.500	1.563	0.25	HM518445	HM518410	6.000	1.188	0.13	1.563	TS
88.900	39.688	6.35			152.400	30.162	3.30	39.688	
3.500	1.625	0.14	679	672	6.625	1.188	0.13	1.625	TS
88.900	41.275	3.50			168.275	30.162	3.30	41.275	
3.500	1.625	0.14	679	672D	6.625	2.750	0.03	3.625	TDO
88.900	41.275	3.50			168.275	69.850	0.76	92.075	
3.500	1.900	0.14	759	752	6.375	1.500	0.13	1.875	TS
88.900	48.260	3.50			161.925	38.100	3.30	47.625	
3.500	1.900	0.14	759	752-B	6.375	1.500	0.13	0.688	TSF
88.900	48.260	3.50			161.925	38.100	3.30	17.462	
3.500	1.900	0.14	759	752D	6.375	3.375	0.06	4.125	TDO
88.900	48.260	3.50			161.925	85.725	1.52	104.775	
3.500	1.900	0.14	759	752DC	6.375	3.375	0.06	4.125	TDO
88.900	48.260	3.50			161.925	85.725	1.52	104.775	
3.500	1.900	0.14	761W	752-B	6.375	1.500	0.13	0.687	TSF
88.900	48.260	3.50			161.925	38.100	3.30	17.450	
3.500	1.900	0.28	766	752	6.375	1.500	0.13	1.875	TS
88.900	48.260	7.00			161.925	38.100	3.30	47.625	
3.500	1.900	0.28	766	752-B	6.375	1.500	0.13	0.687	TSF
88.900	48.260	7.00			161.925	38.100	3.30	17.450	
3.500	1.900	0.28	766	752D	6.375	3.375	0.06	4.125	TDO
88.900	48.260	7.00			161.925	85.725	1.52	104.775	
3.500	1.900	0.28	766	752DC	6.375	3.375	0.06	4.125	TDO
88.900	48.260	7.00			161.925	85.725	1.52	104.775	

Tapered Roller Bearings

Bore Size Listing - Continued

Cone			Part Number		Cup			Bearing	
Bore d	Width B	BF Radius R	Cone	Cup	OD D	Width C	BF Radius r	Width T / T1	Brg Type
3.500	1.938	0.14	98350	98788	7.874	1.375	0.13	2.077	TS
88.900	49.212	3.50			200.000	34.925	3.30	52.761	
3.500	1.938	0.14	98350	98789D	7.875	3.158	0.09	4.563	TDO
88.900	49.212	3.50			200.025	80.216	2.29	115.888	
3.500	2.169	0.14	6580	6535	6.375	1.688	0.13	2.125	TS
88.900	55.100	3.50			161.925	42.862	3.30	53.975	
3.500	2.169	0.14	6580	6535-B	6.375	1.688	0.13	0.750	TSF
88.900	55.100	3.50			161.925	42.862	3.30	19.050	
3.500	2.219	0.14	850	832	6.625	1.625	0.13	2.125	TS
88.900	56.363	3.50			168.275	41.275	3.30	53.975	
3.500	2.219	0.14	850	832-B	6.625	1.625	0.13	0.875	TSF
88.900	56.363	3.50			168.275	41.275	3.30	22.225	
3.500	2.265	0.31	855	854	7.500	1.750	0.13	2.250	TS
88.900	57.531	8.00			190.500	44.450	3.30	57.150	
3.500	2.265	0.31	HH221434	HH221410	7.500	1.813	0.13	2.250	TS
88.900	57.531	8.00			190.500	46.038	3.30	57.150	
3.542	1.575	0.28	HM218248	HM218210	5.786	1.280	0.14	1.575	TS
89.975	40.000	7.00			146.975	32.500	3.50	40.000	
3.543	1.181	0.10	30218M	-	6.299	1.024	0.08	1.280	TS
90.000	30.000	2.54			160.000	26.000	2.03	32.500	
3.543	1.260	0.08	32018X	-	5.512	0.945	0.06	1.260	TS
90.000	32.000	2.03			140.000	24.000	1.52	32.000	
3.543	1.339	0.12	JM718149	JM718110	5.709	1.063	0.10	1.378	TS
90.000	34.000	3.05			145.000	27.000	2.54	35.000	
3.543	1.339	0.24	JM718149A	JM718110	5.709	1.063	0.10	1.378	TS
90.000	34.000	6.00			145.000	27.000	2.54	35.000	
3.543	1.535	0.08	33018	-	5.512	1.280	0.06	1.535	TS
90.000	39.000	2.03			140.000	32.500	1.52	39.000	
3.543	1.575	0.10	32218M	-	6.299	1.339	0.08	1.673	TS
90.000	40.000	2.54			160.000	34.000	2.03	42.500	
3.543	1.693	0.16	31318M	-	7.480	1.181	0.12	1.831	TS
90.000	43.000	4.00			190.000	30.000	3.05	46.500	
3.543	1.732	0.12	JHM318448	JHM318410	6.102	1.398	0.10	1.732	TS
90.000	44.000	3.05			155.000	35.500	2.54	44.000	
3.543	1.772	0.10	33118	-	5.906	1.378	0.08	1.772	TS
90.000	45.000	2.50			150.000	35.000	2.00	45.001	
3.543	1.772	0.10	33118M	-	5.906	1.378	0.08	1.772	TS
90.000	45.000	2.54			150.000	35.000	2.03	45.000	
3.543	1.813	0.14	J90354	J90748	7.480	1.250	0.13	2.000	TS
90.000	46.038	3.50			190.000	31.750	3.30	50.800	
3.563	1.900	0.14	760	752	6.375	1.500	0.13	1.875	TS
90.488	48.260	3.50			161.925	38.100	3.30	47.625	
3.563	1.900	0.14	760	752-B	6.375	1.500	0.13	0.687	TSF
90.488	48.260	3.50			161.925	38.100	3.30	17.450	

bearing
specification:
0010110111011100110101
0010110111011100110101

TIMKEN®

Tapered Roller Bearings

Bore Size Listing - Continued

Cone			Part Number		Cup			Bearing	
Bore d	Width B	BF Radius R	Cone	Cup	OD D	Width C	BF Radius r	Width T / T1	Brg Type
3.563	1.900	0.14	760	752D	6.375	3.375	0.06	4.125	TDO
90.488	48.260	3.50			161.925	85.725	1.52	104.775	
3.563	1.900	0.14	760	752DC	6.375	3.375	0.06	4.125	TDO
90.488	48.260	3.50			161.925	85.725	1.52	104.775	
3.621	1.181	0.14	LM718947	LM718910	5.625	0.866	0.13	1.181	TS
91.975	30.000	3.50			142.875	22.000	3.30	30.000	
3.625	1.141	0.14	42362	42587	5.875	0.969	0.13	1.250	TS
92.075	28.971	3.50			149.225	24.608	3.30	31.750	
3.625	1.375	0.14	47890	47820	5.750	1.031	0.13	1.313	TS
92.075	34.925	3.50			146.050	26.195	3.30	33.338	
3.625	1.430	0.14	598	592A	6.000	1.188	0.13	1.563	TS
92.075	36.322	3.50			152.400	30.162	3.30	39.688	
3.625	1.430	0.14	598	592D	6.000	2.500	0.03	3.250	TDO
92.075	36.322	3.50			152.400	63.500	0.76	82.550	
3.625	1.430	0.25	598A	592A	6.000	1.188	0.13	1.563	TS
92.075	36.322	6.35			152.400	30.162	3.30	39.688	
3.625	1.430	0.25	598A	592D	6.000	2.500	0.03	3.250	TDO
92.075	36.322	6.35			152.400	63.500	0.76	82.550	
3.625	1.625	0.14	681	672	6.625	1.188	0.13	1.625	TS
92.075	41.275	3.50			168.275	30.162	3.30	41.275	
3.625	1.625	0.14	681	672-B	6.625	1.188	0.13	0.719	TSF
92.075	41.275	3.50			168.275	30.162	3.30	18.255	
3.625	1.625	0.14	681	672D	6.625	2.750	0.03	3.625	TDO
92.075	41.275	3.50			168.275	69.850	0.76	92.075	
3.625	1.625	0.14	681W	672-B	6.625	1.188	0.13	0.719	TSF
92.075	41.275	3.50			168.275	30.162	3.30	18.255	
3.625	1.625	0.25	681A	672	6.625	1.188	0.13	1.625	TS
92.075	41.275	6.35			168.275	30.162	3.30	41.275	
3.625	1.625	0.25	681A	672-B	6.625	1.188	0.13	0.719	TSF
92.075	41.275	6.40			168.275	30.162	3.30	18.255	
3.625	1.625	0.25	681A	672D	6.625	2.750	0.03	3.625	TDO
92.075	41.275	6.35			168.275	69.850	0.76	92.075	
3.625	1.890	0.14	778	772	7.125	1.500	0.13	1.875	TS
92.075	48.006	3.50			180.975	38.100	3.30	47.625	
3.625	1.890	0.14	778	774D	7.125	3.375	0.06	4.125	TDO
92.075	48.006	3.50			180.975	85.725	1.52	104.775	
3.625	1.900	0.14	77362	77675	6.750	1.500	0.13	1.875	TS
92.075	48.260	3.50			171.450	38.100	3.30	47.625	
3.625	2.265	0.31	857	854	7.500	1.750	0.13	2.250	TS
92.075	57.531	8.00			190.500	44.450	3.30	57.150	
3.688	1.141	0.12	42368	42584	5.844	0.844	0.12	1.125	TS
93.662	28.971	3.05			148.430	21.433	3.05	28.575	
3.688	1.141	0.12	42368	42587D	5.875	2.063	0.03	2.625	TDO
93.662	28.971	3.05			149.225	52.388	0.76	66.672	

Tapered Roller Bearings

Bore Size Listing - Continued

Cone			Part Number		Cup			Bearing	
Bore d	Width B	BF Radius R	Cone	Cup	OD D	Width C	BF Radius r	Width T / T1	Brg Type
3.739	1.625	0.14	682	672-B	6.625	1.188	0.13	0.719	TSF
94.975	41.275	3.50			168.275	30.162	3.30	18.255	
3.740	0.787	0.20	JL819349	JL819310	5.315	0.551	0.10	0.787	TS
95.000	20.000	5.00			135.000	14.000	2.54	20.000	
3.740	0.886	0.12	JP10044	JP10010	5.709	0.689	0.12	0.945	TS
95.000	22.500	3.05			145.000	17.500	3.05	24.000	
3.740	0.886	0.12	JP10044	JP10010-B	5.709	0.689	0.12	0.413	TSF
95.000	22.500	3.05			145.000	17.500	3.05	10.500	
3.740	1.260	0.08	32019X	-	5.709	0.945	0.06	1.260	TS
95.000	32.000	2.03			145.000	24.000	1.52	32.000	
3.740	1.260	0.12	30219M	-	6.693	1.063	0.10	1.358	TS
95.000	32.000	3.05			170.000	27.000	2.54	34.500	
3.740	1.339	0.12	JM719149	JM719113	5.906	1.063	0.10	1.378	TS
95.000	34.000	3.05			150.000	27.000	2.54	35.000	
3.740	1.535	0.08	33019	-	5.709	1.280	0.06	1.535	TS
95.000	39.000	2.03			145.000	32.500	1.52	39.000	
3.740	1.625	0.14	683X	672-B	6.625	1.188	0.13	0.719	TSF
95.000	41.275	3.50			168.275	30.162	3.30	18.255	
3.740	1.693	0.12	32219	-	6.693	1.457	0.10	1.791	TS
95.000	43.000	3.05			170.000	37.000	2.54	45.500	
3.740	1.693	0.12	32219M	-	6.693	1.457	0.10	1.791	TS
95.000	43.000	3.00			170.000	37.000	2.50	45.500	
3.750	0.594	0.06	LL319349	LL319310	5.063	0.469	0.06	0.625	TS
95.250	15.083	1.52			128.588	11.908	1.52	15.875	
3.750	0.844	0.06	L319249	L319210	5.125	0.656	0.06	0.813	TS
95.250	21.433	1.52			130.175	16.670	1.52	20.638	
3.750	1.141	0.12	42375	42584	5.844	0.844	0.12	1.125	TS
95.250	28.971	3.05			148.430	21.433	3.05	28.575	
3.750	1.141	0.12	42375	42587D	5.875	2.063	0.03	2.625	TDO
95.250	28.971	3.05			149.225	52.388	0.76	66.672	
3.750	1.141	0.14	42376	42587	5.875	0.969	0.13	1.250	TS
95.250	28.971	3.50			149.225	24.608	3.30	31.750	
3.750	1.375	0.14	47896	47820	5.750	1.031	0.13	1.313	TS
95.250	34.925	3.50			146.050	26.195	3.30	33.338	
3.750	1.422	0.14	52375	52618	6.188	1.031	0.13	1.438	TS
95.250	36.116	3.50			157.162	26.195	3.30	36.512	
3.750	1.422	0.14	52375	52637D	6.375	2.438	0.03	3.250	TDO
95.250	36.116	3.50			161.925	61.912	0.76	82.547	
3.750	1.430	0.14	594	592A	6.000	1.188	0.13	1.563	TS
95.250	36.322	3.50			152.400	30.162	3.30	39.688	
3.750	1.430	0.14	594	592D	6.000	2.500	0.03	3.250	TDO
95.250	36.322	3.50			152.400	63.500	0.76	82.550	
3.750	1.430	0.20	594A	592-B	6.000	1.188	0.13	0.625	TSF
95.250	36.322	5.00			152.400	30.162	3.30	15.875	

Tapered Roller Bearings

Bore Size Listing - Continued

Cone			Part Number		Cup			Bearing	
Bore d	Width B	BF Radius R	Cone	Cup	OD D	Width C	BF Radius r	Width T / T1	Brg Type
3.750	1.430	0.20	594A	592A	6.000	1.188	0.13	1.563	TS
95.250	36.322	5.00			152.400	30.162	3.30	39.688	
3.750	1.430	0.20	594A	592D	6.000	2.500	0.03	3.250	TDO
95.250	36.322	5.00			152.400	63.500	0.76	82.550	
3.750	1.430	0.20	594A	592XE	5.813	1.031	0.03	1.406	TS
95.250	36.322	5.00			147.638	26.192	0.76	35.717	
3.750	1.430	0.20	594A	592XS	5.813	1.031	0.13	1.406	TS
95.250	36.322	5.00			147.638	26.192	3.30	35.717	
3.750	1.625	0.14	683	672	6.625	1.188	0.13	1.625	TS
95.250	41.275	3.50			168.275	30.162	3.30	41.275	
3.750	1.625	0.14	683	672-B	6.625	1.188	0.13	0.719	TSF
95.250	41.275	3.50			168.275	30.162	3.30	18.255	
3.750	1.625	0.14	683	672D	6.625	2.750	0.03	3.625	TDO
95.250	41.275	3.50			168.275	69.850	0.76	92.075	
3.750	1.625	0.14	683WA	672-B	6.625	1.188	0.13	0.719	TSF
95.250	41.275	3.50			168.275	30.162	3.30	18.255	
3.750	1.625	0.20	683XA	672	6.625	1.188	0.13	1.625	TS
95.250	41.275	5.00			168.275	30.162	3.30	41.275	
3.750	1.625	0.20	683XA	672-B	6.625	1.188	0.13	0.719	TSF
95.250	41.275	5.00			168.275	30.162	3.30	18.255	
3.750	1.625	0.20	683XA	672D	6.625	2.750	0.03	3.625	TDO
95.250	41.275	5.00			168.275	69.850	0.76	92.075	
3.750	1.890	0.14	776	772	7.125	1.500	0.13	1.875	TS
95.250	48.006	3.50			180.975	38.100	3.30	47.625	
3.750	1.900	0.14	77375	77675	6.750	1.500	0.13	1.875	TS
95.250	48.260	3.50			171.450	38.100	3.30	47.625	
3.750	2.265	0.31	864	854	7.500	1.750	0.13	2.250	TS
95.250	57.531	8.00			190.500	44.450	3.30	57.150	
3.750	2.265	0.31	HH221440	HH221410	7.500	1.813	0.13	2.250	TS
95.250	57.531	8.00			190.500	46.038	3.30	57.150	
3.813	1.141	0.14	42381	42584	5.844	0.844	0.12	1.125	TS
96.838	28.971	3.50			148.430	21.433	3.05	28.575	
3.813	1.141	0.14	42381	42587-B	5.875	0.969	0.13	0.500	TSF
96.838	28.971	3.50			149.225	24.608	3.30	12.700	
3.813	1.141	0.14	42381	42587D	5.875	2.063	0.03	2.625	TDO
96.838	28.971	3.50			149.225	52.388	0.76	66.672	
3.813	1.813	0.14	90381	90744	7.438	1.250	0.13	2.000	TS
96.838	46.038	3.50			188.912	31.750	3.30	50.800	
3.875	1.422	0.14	52387	52618	6.188	1.031	0.13	1.438	TS
98.425	36.116	3.50			157.162	26.195	3.30	36.512	
3.875	1.422	0.14	52387	52637D	6.375	2.438	0.03	3.250	TDO
98.425	36.116	3.50			161.925	61.912	0.76	82.547	
3.875	1.625	0.14	685	672	6.625	1.188	0.13	1.625	TS
98.425	41.275	3.50			168.275	30.162	3.30	41.275	

Tapered Roller Bearings

Bore Size Listing - Continued

Cone			Part Number		Cup			Bearing	
Bore d	Width B	BF Radius R	Cone	Cup	OD D	Width C	BF Radius r	Width T / T1	Brg Type
3.875	1.625	0.14	685	672D	6.625	2.750	0.03	3.625	TDO
98.425	41.275	3.50			168.275	69.850	0.76	92.075	
3.875	2.500	0.25	HH421246C	HH421210	7.250	2.063	0.13	2.500	TS
98.425	63.500	6.35			184.150	52.388	3.30	63.500	
3.936	1.654	0.31	HM220149	HM220110	6.180	1.339	0.14	1.654	TS
99.975	42.000	8.00			156.975	34.000	3.50	42.000	
3.936	2.625	0.14	HH224334	HH224310CD	8.375	4.625	0.06	5.625	TDO
99.975	66.675	3.50			212.725	117.475	1.52	142.875	
3.937	0.886	0.12	JP10049	JP10010	5.709	0.689	0.12	0.945	TS
100.000	22.500	3.05			145.000	17.500	3.05	24.000	
3.937	0.886	0.12	JP10049	JP10010-B	5.709	0.689	0.12	0.413	TSF
100.000	22.500	3.05			145.000	17.500	3.05	10.500	
3.937	1.181	0.09	JLM820048	JLM820012	5.906	1.024	0.09	1.260	TS
100.000	30.000	2.29			150.000	26.000	2.29	32.000	
3.937	1.260	0.08	32020X	-	5.906	0.945	0.06	1.260	TS
100.000	32.000	2.03			150.000	24.000	1.52	32.000	
3.937	1.339	0.12	30220M	-	7.087	1.142	0.10	1.457	TS
100.000	34.000	3.05			180.000	29.000	2.54	37.000	
3.937	1.378	0.12	JM720249	JM720210	6.102	1.102	0.10	1.417	TS
100.000	35.000	3.05			155.000	28.000	2.54	36.000	
3.937	1.535	0.08	33020	-	5.906	1.280	0.06	1.535	TS
100.000	39.000	2.03			150.000	32.500	1.52	39.000	
3.937	1.575	0.12	JHM720249	JHM720210	6.299	1.260	0.10	1.614	TS
100.000	40.000	3.05			160.000	32.000	2.54	41.000	
3.937	1.811	0.12	32220M	-	7.087	1.535	0.10	1.929	TS
100.000	46.000	3.05			180.000	39.000	2.54	49.000	
3.938	1.422	0.14	52393	52618	6.188	1.031	0.13	1.438	TS
100.012	36.116	3.50			157.162	26.195	3.30	36.512	
3.938	1.422	0.14	52393	52637D	6.375	2.438	0.03	3.250	TDO
100.012	36.116	3.50			161.925	61.912	0.76	82.547	
4.000	0.594	0.06	LL420549	LL420510	5.313	0.469	0.06	0.625	TS
101.600	15.083	1.52			134.938	11.908	1.52	15.875	
4.000	0.844	0.06	L420449	L420410	5.375	0.656	0.06	0.844	TS
101.600	21.433	1.52			136.525	16.670	1.52	21.433	
4.000	0.844	0.06	L521945	L521910	5.750	0.656	0.06	0.844	TS
101.600	21.433	1.52			146.050	16.670	1.52	21.433	
4.000	1.422	0.14	52400	52618	6.188	1.031	0.13	1.438	TS
101.600	36.116	3.50			157.162	26.195	3.30	36.512	
4.000	1.422	0.14	52400	52637	6.375	1.031	0.13	1.438	TS
101.600	36.116	3.50			161.925	26.195	3.30	36.512	
4.000	1.422	0.14	52400	52637D	6.375	2.438	0.03	3.250	TDO
101.600	36.116	3.50			161.925	61.912	0.76	82.547	
4.000	1.422	0.14	52400	52638	6.375	1.156	0.13	1.563	TS
101.600	36.116	3.50			161.925	29.370	3.30	39.688	

bearing
specification:
0010110111011100110101
0010110111011100110101

TIMKEN®

Tapered Roller Bearings

Bore Size Listing - Continued

Cone			Part Number		Cup			Bearing	
Bore d	Width B	BF Radius R	Cone	Cup	OD D	Width C	BF Radius r	Width T / T1	Brg Type
4.000	1.625	0.14	687	672	6.625	1.188	0.13	1.625	TS
101.600	41.275	3.50			168.275	30.162	3.30	41.275	
4.000	1.625	0.14	687	672-B	6.625	1.188	0.13	0.719	TSF
101.600	41.275	3.50			168.275	30.162	3.30	18.255	
4.000	1.625	0.14	687	672D	6.625	2.750	0.03	3.625	TDO
101.600	41.275	3.50			168.275	69.850	0.76	92.075	
4.000	1.890	0.14	780	772	7.125	1.500	0.13	1.875	TS
101.600	48.006	3.50			180.975	38.100	3.30	47.625	
4.000	1.890	0.14	780	774D	7.125	3.375	0.06	4.125	TDO
101.600	48.006	3.50			180.975	85.725	1.52	104.775	
4.000	1.938	0.14	98400	98788	7.874	1.375	0.13	2.077	TS
101.600	49.212	3.50			200.000	34.925	3.30	52.761	
4.000	1.938	0.14	98400	98788-B	7.874	1.375	0.13	1.077	TSF
101.600	49.212	3.50			200.000	34.925	3.30	27.361	
4.000	1.938	0.14	98400	98789D	7.875	3.158	0.09	4.563	TDO
101.600	49.212	3.50			200.025	80.216	2.29	115.888	
4.000	2.063	0.14	H924033	H924010	8.438	1.563	0.13	2.188	TS
101.600	52.388	3.50			214.312	39.688	3.30	55.562	
4.000	2.265	0.14	HH221449A	HH221410	7.500	1.813	0.13	2.250	TS
101.600	57.531	3.50			190.500	46.038	3.30	57.150	
4.000	2.265	0.31	861	854	7.500	1.750	0.13	2.250	TS
101.600	57.531	8.00			190.500	44.450	3.30	57.150	
4.000	2.265	0.31	861	854-B	7.500	1.750	0.13	0.875	TSF
101.600	57.531	8.00			190.500	44.450	3.30	22.225	
4.000	2.265	0.31	HH221449	HH221410	7.500	1.813	0.13	2.250	TS
101.600	57.531	8.00			190.500	46.038	3.30	57.150	
4.000	2.265	0.31	HH221449	HH221410-B	7.500	1.813	0.13	0.875	TSF
101.600	57.531	8.00			190.500	46.038	3.30	22.225	
4.000	2.625	0.28	941	932	8.375	2.125	0.13	2.625	TS
101.600	66.675	7.00			212.725	53.975	3.30	66.675	
4.000	2.625	0.28	941	932-B	8.375	2.125	0.13	0.938	TSF
101.600	66.675	7.00			212.725	53.975	3.30	23.812	
4.000	2.625	0.28	941	932CD	8.375	4.625	0.06	5.625	TDO
101.600	66.675	7.00			212.725	117.475	1.52	142.875	
4.000	2.625	0.28	HH224335	HH224310	8.375	2.125	0.13	2.625	TS
101.600	66.675	7.00			212.725	53.975	3.30	66.675	
4.000	2.625	0.28	HH224335	HH224310CD	8.375	4.625	0.06	5.625	TDO
101.600	66.675	7.00			212.725	117.475	1.52	142.875	
4.000	2.875	0.25	HH923649	HH923610	9.875	2.000	0.25	3.000	TS
101.600	73.025	6.35			250.825	50.800	6.35	76.200	
4.000	2.875	0.25	HH923649	HH923611	9.875	2.000	0.13	3.000	TS
101.600	73.025	6.35			250.825	50.800	3.30	76.200	
4.125	1.890	0.14	782	772	7.125	1.500	0.13	1.875	TS
104.775	48.006	3.50			180.975	38.100	3.30	47.625	

Tapered Roller Bearings

Bore Size Listing - Continued

Cone			Part Number		Cup			Bearing	
Bore d	Width B	BF Radius R	Cone	Cup	OD D	Width C	BF Radius r	Width T / T1	Brg Type
4.125	1.890	0.14	782	772-B	7.125	1.500	0.13	0.688	TSF
104.775	48.006	3.50			180.975	38.100	3.30	17.462	
4.125	1.890	0.14	782	774D	7.125	3.375	0.06	4.125	TDO
104.775	48.006	3.50			180.975	85.725	1.52	104.775	
4.125	1.890	0.25	786	772	7.125	1.500	0.13	1.875	TS
104.775	48.006	6.35			180.975	38.100	3.30	47.625	
4.125	1.890	0.25	786	774D	7.125	3.375	0.06	4.125	TDO
104.775	48.006	6.35			180.975	85.725	1.52	104.775	
4.125	1.890	0.28	787	772	7.125	1.500	0.13	1.875	TS
104.775	48.006	7.00			180.975	38.100	3.30	47.625	
4.125	1.890	0.28	787	774D	7.125	3.375	0.06	4.125	TDO
104.775	48.006	7.00			180.975	85.725	1.52	104.775	
4.125	1.938	0.14	71412	71750	7.500	1.375	0.13	1.875	TS
104.775	49.212	3.50			190.500	34.925	3.30	47.625	
4.125	1.938	0.14	71412	71751D	7.500	3.188	0.06	4.188	TDO
104.775	49.212	3.50			190.500	80.962	1.52	106.362	
4.134	1.378	0.10	32021X	-	6.299	1.024	0.08	1.378	TS
105.000	35.000	2.54			160.000	26.000	2.03	35.000	
4.134	1.417	0.12	30221M	-	7.480	1.181	0.10	1.535	TS
105.000	36.000	3.05			190.000	30.000	2.54	39.000	
4.134	1.693	0.10	33021M	-	6.299	1.339	0.08	1.693	TS
105.000	43.000	2.54			160.000	34.000	2.03	43.000	
4.134	1.969	0.12	32221	-	7.480	1.693	0.10	2.087	TS
105.000	50.000	3.05			190.000	43.000	2.54	53.000	
4.188	1.438	0.14	56418	56650	6.500	1.063	0.13	1.438	TS
106.362	36.512	3.50			165.100	26.988	3.30	36.512	
4.188	1.438	0.14	56418	56650D	6.500	2.500	0.03	3.250	TDO
106.362	36.512	3.50			165.100	63.500	0.76	82.550	
4.212	1.102	0.09	LM121349	LM121310	5.786	0.945	0.09	1.122	TS
106.975	28.000	2.29			147.000	24.000	2.29	28.500	
4.250	0.844	0.06	L521949	L521910	5.750	0.656	0.06	0.844	TS
107.950	21.433	1.52			146.050	16.670	1.52	21.433	
4.250	0.844	0.06	L521949	L521914	6.000	0.656	0.06	0.844	TS
107.950	21.433	1.52			152.400	16.670	1.52	21.433	
4.250	0.844	0.14	37425	37625	6.250	0.625	0.13	0.906	TS
107.950	21.438	3.50			158.750	15.875	3.30	23.020	
4.250	1.375	0.14	48190	48120	6.375	1.063	0.13	1.375	TS
107.950	34.925	3.50			161.925	26.988	3.30	34.925	
4.250	1.375	0.14	LM522546	LM522510	6.299	1.063	0.13	1.375	TS
107.950	34.925	3.50			159.987	26.987	3.30	34.925	
4.250	1.375	0.14	LM522546	LM522510D	6.299	2.313	0.03	2.938	TDO
107.950	34.925	3.50			159.987	58.738	0.76	74.612	
4.250	1.438	0.14	56425	56650	6.500	1.063	0.13	1.438	TS
107.950	36.512	3.50			165.100	26.988	3.30	36.512	

Tapered Roller Bearings

Bore Size Listing - Continued

Cone			Part Number		Cup			Bearing	
Bore d	Width B	BF Radius R	Cone	Cup	OD D	Width C	BF Radius r	Width T / T1	Brg Type
4.250	1.438	0.14	56425	56650-B	6.500	1.063	0.13	0.625	TSF
107.950	36.512	3.50			165.100	26.988	3.30	15.875	
4.250	1.438	0.14	56425	56650D	6.500	2.500	0.03	3.250	TDO
107.950	36.512	3.50			165.100	63.500	0.76	82.550	
4.250	1.438	0.14	56425	56662	6.625	1.063	0.13	1.438	TS
107.950	36.512	3.50			168.275	26.988	3.30	36.512	
4.250	1.438	0.31	56426	56650	6.500	1.063	0.13	1.438	TS
107.950	36.512	8.00			165.100	26.988	3.30	36.512	
4.250	1.938	0.14	71425	71750	7.500	1.375	0.13	1.875	TS
107.950	49.212	3.50			190.500	34.925	3.30	47.625	
4.250	1.938	0.14	71425	71751D	7.500	3.188	0.06	4.188	TDO
107.950	49.212	3.50			190.500	80.962	1.52	106.362	
4.250	2.625	0.31	936	932	8.375	2.125	0.13	2.625	TS
107.950	66.675	8.00			212.725	53.975	3.30	66.675	
4.250	2.625	0.31	936	932CD	8.375	4.625	0.06	5.625	TDO
107.950	66.675	8.00			212.725	117.475	1.52	142.875	
4.250	2.625	0.31	HH224340	HH224310CD	8.375	4.625	0.06	5.625	TDO
107.950	66.675	8.00			212.725	117.475	1.52	142.875	
4.313	0.844	0.14	37431	37625	6.250	0.625	0.13	0.906	TS
109.538	21.438	3.50			158.750	15.875	3.30	23.020	
4.313	0.844	0.20	37431A	37625	6.250	0.625	0.13	0.906	TS
109.538	21.438	5.00			158.750	15.875	3.30	23.020	
4.330	1.375	0.14	LM522549	LM522510	6.299	1.063	0.13	1.375	TS
109.987	34.925	3.50			159.987	26.987	3.30	34.925	
4.330	1.375	0.14	LM522549	LM522510D	6.299	2.313	0.03	2.938	TDO
109.987	34.925	3.50			159.987	58.738	0.76	74.612	
4.330	1.375	0.31	LM522548	LM522510	6.299	1.063	0.13	1.375	TS
109.987	34.925	8.00			159.987	26.987	3.30	34.925	
4.330	1.375	0.31	LM522548	LM522510D	6.299	2.313	0.03	2.938	TDO
109.987	34.925	8.00			159.987	58.738	0.76	74.612	
4.330	1.625	0.14	64432	64700	7.000	1.188	0.13	1.625	TS
109.975	41.275	3.50			177.800	30.162	3.30	41.275	
4.330	1.625	0.14	64432	64700D	7.000	2.750	0.03	3.625	TDO
109.975	41.275	3.50			177.800	69.850	0.76	92.075	
4.330	1.625	0.14	64433	64700	7.000	1.188	0.13	1.625	TS
109.992	41.275	3.50			177.800	30.162	3.30	41.275	
4.330	1.625	0.14	64433	64700D	7.000	2.750	0.03	3.625	TDO
109.992	41.275	3.50			177.800	69.850	0.76	92.075	
4.331	1.378	0.12	JM822049	JM822010	6.496	1.043	0.10	1.378	TS
110.000	35.000	3.05			165.000	26.500	2.54	35.000	
4.331	1.496	0.10	32022X	-	6.693	1.142	0.08	1.496	TS
110.000	38.000	2.54			170.000	29.000	2.03	38.000	
4.331	1.496	0.12	30222M	-	7.874	1.260	0.10	1.614	TS
110.000	38.000	3.05			200.000	32.000	2.54	41.000	

Tapered Roller Bearings

Bore Size Listing - Continued

Cone			Part Number		Cup			Bearing	
Bore d	Width B	BF Radius R	Cone	Cup	OD D	Width C	BF Radius r	Width T / T1	Brg Type
4.331	1.811	0.12	JHM522649	JHM522610	7.087	1.496	0.10	1.850	TS
110.000	46.000	3.05			180.000	38.000	2.54	47.000	
4.331	1.850	0.10	33022	-	6.693	1.457	0.08	1.850	TS
110.000	47.000	2.54			170.000	37.000	2.03	47.000	
4.331	2.087	0.12	32222M	-	7.874	1.811	0.10	2.205	TS
110.000	53.000	3.05			200.000	46.000	2.54	56.000	
4.375	1.938	0.14	71437	71750	7.500	1.375	0.13	1.875	TS
111.125	49.212	3.50			190.500	34.925	3.30	47.625	
4.375	1.938	0.14	71437	71753	7.558	1.375	0.13	1.875	TS
111.125	49.212	3.50			191.976	34.925	3.30	47.625	
4.375	2.063	0.14	H924045	H924010	8.438	1.563	0.13	2.188	TS
111.125	52.388	3.50			214.312	39.688	3.30	55.562	
4.375	2.063	0.14	H924045	H924010D	8.438	3.313	0.06	4.563	TDO
111.125	52.388	3.50			214.312	84.138	1.52	115.888	
4.375	2.813	0.25	HH924349	HH924310D	9.500	4.250	0.06	6.250	TDO
111.125	71.438	6.35			241.300	107.950	1.52	158.750	
4.500	0.844	0.06	L623149	L623110	6.000	0.656	0.06	0.844	TS
114.300	21.432	1.52			152.400	16.670	1.52	21.433	
4.500	1.250	0.14	68450	68712	7.125	1.000	0.13	1.375	TS
114.300	31.750	3.50			180.975	25.400	3.30	34.925	
4.500	1.375	0.13	LM122948	LM122911	6.250	1.188	0.13	1.375	TS
114.300	34.925	3.30			158.750	30.162	3.30	34.925	
4.500	1.625	0.14	64450	64700	7.000	1.188	0.13	1.625	TS
114.300	41.275	3.50			177.800	30.162	3.30	41.275	
4.500	1.625	0.14	64450	64700-B	7.000	1.188	0.13	0.719	TSF
114.300	41.275	3.50			177.800	30.162	3.30	18.258	
4.500	1.625	0.14	64450	64700D	7.000	2.750	0.03	3.625	TDO
114.300	41.275	3.50			177.800	69.850	0.76	92.075	
4.500	1.625	0.14	64450	64708	7.086	1.188	0.13	1.625	TS
114.300	41.275	3.50			179.975	30.162	3.30	41.275	
4.500	1.938	0.14	71450	71750	7.500	1.375	0.13	1.875	TS
114.300	49.212	3.50			190.500	34.925	3.30	47.625	
4.500	1.938	0.14	71450	71751D	7.500	3.188	0.06	4.188	TDO
114.300	49.212	3.50			190.500	80.962	1.52	106.362	
4.500	1.946	0.14	HM926740	HM926710	9.000	1.500	0.13	2.125	TS
114.300	49.428	3.50			228.600	38.100	3.30	53.975	
4.500	1.946	0.14	HM926740	HM926710D	9.000	3.313	0.09	4.563	TDO
114.300	49.428	3.50			228.600	84.138	2.29	115.888	
4.500	2.625	0.28	938	932	8.375	2.125	0.13	2.625	TS
114.300	66.675	7.00			212.725	53.975	3.30	66.675	
4.500	2.625	0.28	938	932-B	8.375	2.125	0.13	0.938	TSF
114.300	66.675	7.00			212.725	53.975	3.30	23.812	
4.500	2.625	0.28	938	932CD	8.375	4.625	0.06	5.625	TDO
114.300	66.675	7.00			212.725	117.475	1.52	142.875	

Tapered Roller Bearings

Bore Size Listing - Continued

Cone			Part Number		Cup			Bearing	
Bore d	Width B	BF Radius R	Cone	Cup	OD D	Width C	BF Radius r	Width T / T1	Brg Type
4.500	2.625	0.28	HH224346	HH224310	8.375	2.125	0.13	2.625	TS
114.300	66.675	7.00			212.725	53.975	3.30	66.675	
4.500	2.625	0.28	HH224346	HH224310CD	8.375	4.625	0.06	5.625	TDO
114.300	66.675	7.00			212.725	117.475	1.52	142.875	
4.500	3.250	0.25	HH926744	HH926710	10.750	2.125	0.25	3.250	TS
114.300	82.550	6.35			273.050	53.975	6.35	82.550	
4.500	3.250	0.25	HH926744	HH926716	11.000	2.125	0.25	3.250	TS
114.300	82.550	6.35			279.400	53.975	6.35	82.550	
4.527	1.625	0.35	64452A	64700D	7.000	2.750	0.03	3.625	TDO
114.975	41.275	9.00			177.800	69.850	0.76	92.075	
4.527	2.625	0.28	HH224349	HH224310CD	8.375	4.625	0.06	5.625	TDO
114.975	66.675	7.00			212.725	117.475	1.52	142.875	
4.528	1.063	0.13	JLM722948	JLM722912	6.496	0.827	0.12	1.102	TS
115.000	27.000	3.30			165.000	21.000	3.05	28.000	
4.528	1.063	0.13	JLM722948	JLM722912-B	6.496	0.827	0.12	0.492	TSF
115.000	27.000	3.30			165.000	21.000	3.05	12.500	
4.531	1.938	0.14	71453	71750	7.500	1.375	0.13	1.875	TS
115.087	49.212	3.50			190.500	34.925	3.30	47.625	
4.531	1.938	0.14	71453	71751D	7.500	3.188	0.06	4.188	TDO
115.087	49.212	3.50			190.500	80.962	1.52	106.362	
4.531	1.938	0.31	71455	71751D	7.500	3.188	0.06	4.188	TDO
115.087	49.212	8.00			190.500	80.962	1.52	106.362	
4.625	1.250	0.14	68462	68709	7.086	1.000	0.03	1.375	TS
117.475	31.750	3.50			179.975	25.400	0.76	34.925	
4.625	1.250	0.14	68462	68712	7.125	1.000	0.13	1.375	TS
117.475	31.750	3.50			180.975	25.400	3.30	34.925	
4.625	1.250	0.31	68463	68712	7.125	1.000	0.13	1.375	TS
117.475	31.750	8.00			180.975	25.400	3.30	34.925	
4.724	1.000	0.13	JL724348	JL724314	6.693	0.750	0.13	1.000	TS
120.000	25.400	3.30			170.000	19.050	3.30	25.400	
4.724	1.000	0.13	JL724348	JL724314-B	6.693	0.750	0.13	0.447	TSF
120.000	25.400	3.30			170.000	19.050	3.30	11.350	
4.724	1.142	0.06	32924M	-	6.496	0.906	0.06	1.142	TS
120.000	29.000	1.52			165.000	23.000	1.52	29.000	
4.724	1.496	0.10	32024XM	-	7.087	1.142	0.08	1.496	TS
120.000	38.000	2.54			180.000	29.000	2.03	38.000	
4.724	1.575	0.12	30224M	-	8.465	1.339	0.10	1.713	TS
120.000	40.000	3.05			215.000	34.000	2.54	43.500	
4.724	2.284	0.12	32224M	-	8.465	1.969	0.10	2.421	TS
120.000	58.000	3.05			215.000	50.000	2.54	61.500	
4.750	0.844	0.06	L624549	L624510	6.313	0.656	0.06	0.844	TS
120.650	21.433	1.52			160.338	16.670	1.52	21.433	
4.750	0.844	0.06	L624549	L624510-B	6.313	0.656	0.06	0.344	TSF
120.650	21.433	1.52			160.338	16.670	1.52	8.733	

Tapered Roller Bearings

Bore Size Listing - Continued

Bore d	Cone		Part Number		Cup			Bearing	
	Width B	BF Radius R	Cone	Cup	OD D	Width C	BF Radius r	Width T / T1	Brg Type
4.750	1.031	0.06	L225842	L225810	6.688	0.813	0.06	1.000	TS
120.650	26.195	1.52			169.862	20.638	1.52	25.400	
4.750	1.438	0.14	M224749	M224710	6.875	1.094	0.06	1.406	TS
120.650	36.512	3.50			174.625	27.783	1.52	35.720	
4.750	1.438	0.14	M224749	M224710D	6.875	2.438	0.03	3.063	TDO
120.650	36.512	3.50			174.625	61.912	0.76	77.788	
4.750	1.438	0.14	M224749	M224711	6.781	1.094	0.06	1.406	TS
120.650	36.512	3.50			172.242	27.783	1.52	35.720	
4.750	1.500	0.14	48282	48220	7.188	1.313	0.13	1.563	TS
120.650	38.100	3.50			182.562	33.338	3.30	39.688	
4.750	1.813	0.14	HM624749	HM624710	7.500	1.375	0.06	1.813	TS
120.650	46.038	3.50			190.500	34.925	1.52	46.038	
4.750	1.813	0.31	67384	67320	8.000	1.500	0.13	1.813	TS
120.650	46.038	8.00			203.200	38.100	3.30	46.037	
4.750	1.813	0.31	67384	67320-B	8.000	1.500	0.13	0.594	TSF
120.650	46.038	8.00			203.200	38.100	3.30	15.083	
4.750	1.875	0.13	795	792	8.125	1.375	0.13	1.875	TS
120.650	47.625	3.30			206.375	34.925	3.30	47.625	
4.750	1.875	0.13	795	792-B	8.125	1.375	0.13	0.813	TSF
120.650	47.625	3.30			206.375	34.925	3.30	20.638	
4.750	1.875	0.13	795	792CD	8.125	3.250	0.03	4.250	TDO
120.650	47.625	3.30			206.375	82.550	0.76	107.950	
4.750	2.500	0.25	95475	95925	9.250	1.938	0.13	2.500	TS
120.650	63.500	6.35			234.950	49.212	3.30	63.500	
4.750	2.500	0.25	95475	95927CD	9.250	4.500	0.06	5.625	TDO
120.650	63.500	6.35			234.950	114.300	1.52	142.875	
4.750	3.250	0.25	HH926749	HH926710	10.750	2.125	0.25	3.250	TS
120.650	82.550	6.35			273.050	53.975	6.35	82.550	
4.750	3.250	0.38	HH228340	HH228310	10.000	2.438	0.25	3.063	TS
120.650	82.550	9.65			254.000	61.912	6.35	77.788	
4.875	1.500	0.14	48286	48220	7.188	1.313	0.13	1.563	TS
123.825	38.100	3.50			182.562	33.338	3.30	39.688	
4.875	1.500	0.14	48286	48220D	7.188	2.875	0.03	3.375	TDO
123.825	38.100	3.50			182.562	73.025	0.76	85.728	
4.921	1.000	0.13	JL725346	JL725316	6.890	0.720	0.13	1.000	TS
125.000	25.400	3.30			175.000	18.288	3.30	25.400	
5.000	0.688	0.06	LL225749	LL225710	6.531	0.531	0.06	0.719	TS
127.000	17.462	1.52			165.895	13.495	1.52	18.258	
5.000	1.031	0.06	L225849	L225810	6.688	0.813	0.06	1.000	TS
127.000	26.195	1.52			169.862	20.638	1.52	25.400	
5.000	1.031	0.06	L225849	L225818	7.125	0.813	0.06	1.000	TS
127.000	26.195	1.52			180.975	20.638	1.52	25.400	
5.000	1.500	0.14	48290	48220	7.188	1.313	0.13	1.563	TS
127.000	38.100	3.50			182.562	33.338	3.30	39.688	

bearing
specification:
0010110111011100110101
0010110111011100110101

TIMKEN®

Tapered Roller Bearings

Bore Size Listing - Continued

Cone			Part Number		Cup			Bearing		Brg Type
Bore d	Width B	BF Radius R	Cone	Cup	OD D	Width C	BF Radius r	Width T / T1		
5.000	1.500	0.14	48290	48220D	7.188	2.875	0.03	3.375	TDO	
127.000	38.100	3.50			182.562	73.025	0.76	85.728		
5.000	1.813	0.14	67388	67320	8.000	1.500	0.13	1.813	TS	
127.000	46.038	3.50			203.200	38.100	3.30	46.037		
5.000	1.813	0.14	67388	67320-B	8.000	1.500	0.13	0.594	TSF	
127.000	46.038	3.50			203.200	38.100	3.30	15.083		
5.000	1.813	0.14	67388	67322	7.750	1.500	0.13	1.813	TS	
127.000	46.038	3.50			196.850	38.100	3.30	46.038		
5.000	1.813	0.14	67388	67322-B	7.750	1.500	0.13	0.594	TSF	
127.000	46.038	3.50			196.850	38.100	3.30	15.083		
5.000	1.813	0.14	67388	67322D	7.750	3.375	0.03	4.000	TDO	
127.000	46.038	3.50			196.850	85.725	0.76	101.600		
5.000	1.813	0.14	67388W	67320	8.000	1.500	0.13	1.813	TS	
127.000	46.038	3.50			203.200	38.100	3.30	46.037		
5.000	1.813	0.14	67388W	67320-B	8.000	1.500	0.13	0.594	TSF	
127.000	46.038	3.50			203.200	38.100	3.30	15.083		
5.000	1.875	0.14	74500	74850	8.500	1.375	0.13	1.875	TS	
127.000	47.625	3.50			215.900	34.925	3.30	47.625		
5.000	1.875	0.14	74500	74851CD	8.500	3.188	0.06	4.188	TDO	
127.000	47.625	3.50			215.900	80.962	1.52	106.362		
5.000	1.946	0.14	97500	97901D	9.000	3.313	0.09	4.563	TDO	
127.000	49.428	3.50			228.600	84.138	2.29	115.888		
5.000	1.946	0.14	HM926747	HM926710	9.000	1.500	0.13	2.125	TS	
127.000	49.428	3.50			228.600	38.100	3.30	53.975		
5.000	2.250	0.06	HM127440	HM127415XD	8.188	6.000	0.04	5.760	TDO	
126.987	57.150	1.52			207.962	152.400	1.02	146.304		
5.000	2.500	0.25	95500	95905	9.055	1.938	0.13	2.500	TS	
127.000	63.500	6.35			230.000	49.212	3.30	63.500		
5.000	2.500	0.25	95500	95925	9.250	1.938	0.13	2.500	TS	
127.000	63.500	6.35			234.950	49.212	3.30	63.500		
5.000	2.500	0.25	95500	95925-B	9.250	1.938	0.13	1.000	TSF	
127.000	63.500	6.35			234.950	49.212	3.30	25.400		
5.000	2.500	0.25	95500	95927CD	9.250	4.500	0.06	5.625	TDO	
127.000	63.500	6.35			234.950	114.300	1.52	142.875		
5.000	3.000	0.06	48290DW	48220	7.188	1.313	0.13	3.000	TDI	
127.000	76.200	1.52			182.562	33.338	3.30	76.203		
5.000	3.250	0.25	HH932132	HH932110	12.000	2.250	0.25	3.500	TS	
127.000	82.550	6.35			304.800	57.150	6.35	88.900		
5.000	3.250	0.38	HH228349	HH228310	10.000	2.438	0.25	3.063	TS	
127.000	82.550	9.65			254.000	61.912	6.35	77.788		
5.000	3.438	0.53	HH231637	HH231615	11.625	2.250	0.25	3.250	TS	
127.000	87.312	13.46			295.275	57.150	6.35	82.550		
5.031	1.946	0.14	HM926749	HM926710	9.000	1.500	0.13	2.125	TS	
127.792	49.428	3.50			228.600	38.100	3.30	53.975		

Tapered Roller Bearings

Bore Size Listing - Continued

Bore d	Cone		Part Number		OD D	Cup		Bearing		Brg Type
	Width B	BF Radius R	Cone	Cup		Width C	BF Radius r	Width T / T1		
5.063 128.588	1.875 47.625	0.13 3.30	799	792	8.125 206.375	1.375 34.925	0.13 3.30	1.875 47.625	TS	
5.063 128.588	1.875 47.625	0.13 3.30	799	792CD	8.125 206.375	3.250 82.550	0.03 0.76	4.250 107.950	TDO	
5.118 130.000	1.063 27.000	0.12 3.05	JP13049	JP13010	7.284 185.000	0.827 21.000	0.12 3.05	1.142 29.000	TS	
5.118 130.000	1.063 27.000	0.12 3.05	JP13049	JP13010-B	7.284 185.000	0.827 21.000	0.12 3.05	0.512 13.000	TSF	
5.118 130.000	1.575 40.000	0.16 4.00	30226M	-	9.055 230.000	1.339 34.000	0.12 3.05	1.722 43.750	TS	
5.118 130.000	1.772 45.000	0.10 2.54	32026XM	-	7.874 200.000	1.339 34.000	0.08 2.03	1.772 45.000	TS	
5.118 130.000	1.875 47.625	0.14 3.50	797	792	8.125 206.375	1.375 34.925	0.13 3.30	1.875 47.625	TS	
5.118 130.000	1.875 47.625	0.14 3.50	797	792CD	8.125 206.375	3.250 82.550	0.03 0.76	4.250 107.950	TDO	
5.118 130.000	2.520 64.000	0.16 4.00	32226M	-	9.055 230.000	2.126 54.000	0.12 3.05	2.667 67.750	TS	
5.125 130.175	1.813 46.038	0.14 3.50	67389	67320	8.000 203.200	1.500 38.100	0.13 3.30	1.813 46.037	TS	
5.125 130.175	1.813 46.038	0.14 3.50	67389	67320-B	8.000 203.200	1.500 38.100	0.13 3.30	0.594 15.083	TSF	
5.125 130.175	1.813 46.038	0.14 3.50	67389	67322	7.750 196.850	1.500 38.100	0.13 3.30	1.813 46.038	TS	
5.125 130.175	1.813 46.038	0.14 3.50	67389	67322D	7.750 196.850	3.375 85.725	0.03 0.76	4.000 101.600	TDO	
5.125 130.175	1.875 47.625	0.14 3.50	799A	792CD	8.125 206.375	3.250 82.550	0.03 0.76	4.250 107.950	TDO	
5.187 131.750	2.250 57.150	0.06 1.52	HM127446	HM127415XD	8.188 207.962	6.000 152.400	0.04 1.02	5.760 146.304	TDO	
5.250 133.350	1.031 26.195	0.06 1.52	L327249	L327210	6.969 177.008	0.813 20.638	0.06 1.52	1.000 25.400	TS	
5.250 133.350	1.563 39.688	0.14 3.50	48385	48320	7.500 190.500	1.313 33.338	0.13 3.30	1.563 39.688	TS	
5.250 133.350	1.563 39.688	0.14 3.50	48385	48320D	7.500 190.500	2.875 73.025	0.03 0.76	3.375 85.725	TDO	
5.250 133.350	1.813 46.038	0.14 3.50	67390	67320	8.000 203.200	1.500 38.100	0.13 3.30	1.813 46.037	TS	
5.250 133.350	1.813 46.038	0.14 3.50	67390	67320-B	8.000 203.200	1.500 38.100	0.13 3.30	0.594 15.083	TSF	
5.250 133.350	1.813 46.038	0.14 3.50	67390	67322	7.750 196.850	1.500 38.100	0.13 3.30	1.813 46.038	TS	
5.250 133.350	1.813 46.038	0.14 3.50	67390	67322-B	7.750 196.850	1.500 38.100	0.13 3.30	0.594 15.083	TSF	

bearing
specification:
0010110111011100110101
0010110111011100110101

TIMKEN®

Tapered Roller Bearings

Bore Size Listing - Continued

Cone			Part Number		Cup			Bearing	
Bore d	Width B	BF Radius R	Cone	Cup	OD D	Width C	BF Radius r	Width T / T1	Brg Type
5.250	1.813	0.14	67390	67322D	7.750	3.375	0.03	4.000	TDO
133.350	46.038	3.50			196.850	85.725	0.76	101.600	
5.250	1.813	0.14	67390W	67320	8.000	1.500	0.13	1.813	TS
133.350	46.038	3.50			203.200	38.100	3.30	46.037	
5.250	1.813	0.14	67390W	67320-B	8.000	1.500	0.13	0.594	TSF
133.350	46.038	3.50			203.200	38.100	3.30	15.083	
5.250	1.813	0.31	67391	67320	8.000	1.500	0.13	1.813	TS
133.350	46.038	8.00			203.200	38.100	3.30	46.037	
5.250	1.813	0.31	67391	67320-B	8.000	1.500	0.13	0.594	TSF
133.350	46.038	8.00			203.200	38.100	3.30	15.083	
5.250	1.813	0.31	67391	67322	7.750	1.500	0.13	1.813	TS
133.350	46.038	8.00			196.850	38.100	3.30	46.038	
5.250	1.813	0.31	67391	67322D	7.750	3.375	0.03	4.000	TDO
133.350	46.038	8.00			196.850	85.725	0.76	101.600	
5.250	1.875	0.14	74525	74850	8.500	1.375	0.13	1.875	TS
133.350	47.625	3.50			215.900	34.925	3.30	47.625	
5.250	1.875	0.14	74525	74851CD	8.500	3.188	0.06	4.188	TDO
133.350	47.625	3.50			215.900	80.962	1.52	106.362	
5.250	2.500	0.19	95528	95925	9.250	1.938	0.13	2.500	TS
133.350	63.500	4.83			234.950	49.212	3.30	63.500	
5.250	2.500	0.19	95528	95925-B	9.250	1.938	0.13	1.000	TSF
133.350	63.500	4.83			234.950	49.212	3.30	25.400	
5.250	2.500	0.19	95528	95927CD	9.250	4.500	0.06	5.625	TDO
133.350	63.500	4.83			234.950	114.300	1.52	142.875	
5.250	2.500	0.38	95525	95925	9.250	1.938	0.13	2.500	TS
133.350	63.500	9.65			234.950	49.212	3.30	63.500	
5.250	2.500	0.38	95525	95927CD	9.250	4.500	0.06	5.625	TDO
133.350	63.500	9.65			234.950	114.300	1.52	142.875	
5.375	1.299	0.14	LM229140C	LM229110	7.676	1.083	0.14	1.299	TS
136.525	33.000	3.50			194.975	27.500	3.50	33.000	
5.375	1.563	0.14	48393	48320	7.500	1.313	0.13	1.563	TS
136.525	39.688	3.50			190.500	33.338	3.30	39.688	
5.375	1.563	0.14	48393	48320D	7.500	2.875	0.03	3.375	TDO
136.525	39.688	3.50			190.500	73.025	0.76	85.725	
5.375	1.563	0.22	48393A	48320	7.500	1.313	0.13	1.563	TS
136.525	39.688	5.50			190.500	33.338	3.30	39.687	
5.375	1.563	0.22	48393A	48328	8.000	1.313	0.13	1.563	TS
136.525	39.688	5.50			203.200	33.338	3.30	39.687	
5.375	1.875	0.14	74537	74850	8.500	1.375	0.13	1.875	TS
136.525	47.625	3.50			215.900	34.925	3.30	47.625	
5.375	1.875	0.14	74537	74851CD	8.500	3.188	0.06	4.188	TDO
136.525	47.625	3.50			215.900	80.962	1.52	106.362	
5.375	2.250	0.14	896	892	9.000	1.750	0.13	2.250	TS
136.525	57.150	3.50			228.600	44.450	3.30	57.150	

Tapered Roller Bearings

Bore Size Listing - Continued

Cone			Part Number		Cup			Bearing	
Bore d	Width B	BF Radius R	Cone	Cup	OD D	Width C	BF Radius r	Width T / T1	Brg Type
5.375	2.250	0.14	896	892-B	9.000	1.750	0.13	0.875	TSF
136.525	57.150	3.50			228.600	44.450	3.30	22.225	
5.375	2.250	0.14	896	892CD	9.000	3.875	0.06	4.875	TDO
136.525	57.150	3.50			228.600	98.425	1.52	123.825	
5.500	0.813	0.06	LL428349	LL428310	7.125	0.656	0.06	0.844	TS
139.700	20.638	1.52			180.975	16.670	1.52	21.433	
5.500	1.156	0.06	LM328448	LM328410	7.375	0.906	0.06	1.125	TS
139.700	29.370	1.52			187.325	23.020	1.52	28.575	
5.500	1.875	0.14	74550	74845	8.464	1.375	0.13	1.875	TS
139.700	47.625	3.50			214.975	34.925	3.30	47.625	
5.500	1.875	0.14	74550	74850	8.500	1.375	0.13	1.875	TS
139.700	47.625	3.50			215.900	34.925	3.30	47.625	
5.500	1.875	0.14	74550	74850-B	8.500	1.375	0.13	0.813	TSF
139.700	47.625	3.50			215.900	34.925	3.30	20.638	
5.500	1.875	0.14	74550	74851CD	8.500	3.188	0.06	4.188	TDO
139.700	47.625	3.50			215.900	80.962	1.52	106.362	
5.500	1.875	0.25	74550A	74850	8.500	1.375	0.13	1.875	TS
139.700	47.625	6.35			215.900	34.925	3.30	47.625	
5.500	1.875	0.25	74550A	74851CD	8.500	3.188	0.06	4.188	TDO
139.700	47.625	6.35			215.900	80.962	1.52	106.362	
5.500	2.230	0.14	HM231132	HM231110	9.313	1.750	0.13	2.250	TS
139.700	56.642	3.50			236.538	44.450	3.30	57.150	
5.500	2.250	0.14	898	892	9.000	1.750	0.13	2.250	TS
139.700	57.150	3.50			228.600	44.450	3.30	57.150	
5.500	2.250	0.14	898	892-B	9.000	1.750	0.13	0.875	TSF
139.700	57.150	3.50			228.600	44.450	3.30	22.225	
5.500	2.250	0.14	898	892CD	9.000	3.875	0.06	4.875	TDO
139.700	57.150	3.50			228.600	98.425	1.52	123.825	
5.500	2.250	0.25	898A	892	9.000	1.750	0.13	2.250	TS
139.700	57.150	6.35			228.600	44.450	3.30	57.150	
5.500	2.250	0.25	898A	892CD	9.000	3.875	0.06	4.875	TDO
139.700	57.150	6.35			228.600	98.425	1.52	123.825	
5.500	2.313	0.14	899	892-B	9.000	1.750	0.13	0.875	TSF
139.700	58.738	3.50			228.600	44.450	3.30	22.225	
5.500	2.625	0.28	99550	99100	10.000	1.875	0.13	2.625	TS
139.700	66.675	7.00			254.000	47.625	3.30	66.675	
5.500	2.625	0.28	99550	99102CD	10.000	4.375	0.06	5.875	TDO
139.700	66.675	7.00			254.000	111.125	1.52	149.225	
5.500	3.438	0.38	HH231649	HH231610	11.375	2.250	0.25	3.250	TS
139.700	87.312	9.65			288.925	57.150	6.35	82.550	
5.500	3.438	0.38	HH231649	HH231615	11.625	2.250	0.25	3.250	TS
139.700	87.312	9.65			295.275	57.150	6.35	82.550	
5.500	3.688	0.38	HH234031	HH234010	12.125	2.625	0.27	3.500	TS
139.700	93.662	9.65			307.975	66.675	6.80	88.900	

Tapered Roller Bearings

Bore Size Listing - Continued

Cone			Part Number		Cup			Bearing	
Bore d	Width B	BF Radius R	Cone	Cup	OD D	Width C	BF Radius r	Width T / T1	Brg Type
5.511	2.313	0.12	HM129843	HM129814XD	8.688	6.437	0.04	6.135	TDO
139.967	58.738	3.05			220.662	163.510	1.02	155.839	
5.512	1.063	0.12	JP14049	JP14010	7.677	0.827	0.12	1.142	TS
140.000	27.000	3.05			195.000	21.000	3.05	29.000	
5.512	1.260	0.08	32928M	-	7.480	0.984	0.06	1.260	TS
140.000	32.000	2.03			190.000	25.000	1.52	32.000	
5.512	1.654	0.16	30228M	-	9.843	1.417	0.12	1.801	TS
140.000	42.000	4.00			250.000	36.000	3.05	45.750	
5.512	1.772	0.10	32028XM	-	8.268	1.339	0.08	1.772	TS
140.000	45.000	2.49			210.000	34.000	2.01	45.000	
5.625	1.245	0.14	73562	73876CD	8.750	2.125	0.09	2.980	TDO
142.875	31.623	3.50			222.250	53.975	2.29	75.700	
5.625	1.299	0.14	LM229147C	LM229110	7.676	1.083	0.14	1.299	TS
142.875	33.000	3.50			194.975	27.500	3.50	33.000	
5.625	1.563	0.14	48685	48620	7.875	1.344	0.13	1.625	TS
142.875	39.688	3.50			200.025	34.130	3.30	41.275	
5.625	1.563	0.14	48685	48620-B	7.875	1.344	0.13	0.500	TSF
142.875	39.688	3.50			200.025	34.130	3.30	12.700	
5.625	1.563	0.31	48684	48620	7.875	1.344	0.13	1.625	TS
142.875	39.688	8.00			200.025	34.130	3.30	41.275	
5.625	2.230	0.31	82562A	82931	9.313	1.750	0.13	2.250	TS
142.875	56.642	8.00			236.538	44.450	3.30	57.150	
5.625	2.230	0.31	82562A	82950	9.500	1.750	0.13	2.250	TS
142.875	56.642	8.00			241.300	44.450	3.30	57.150	
5.687	2.313	0.06	HM129848	HM129814XD	8.688	6.437	0.04	6.135	TDO
144.450	58.738	1.52			220.662	163.510	1.02	155.839	
5.750	0.813	0.06	LL529749	LL529710	7.406	0.656	0.06	0.875	TS
146.050	20.638	1.52			188.120	16.670	1.52	22.225	
5.750	1.125	0.06	36690	36620	7.625	0.906	0.06	1.125	TS
146.050	28.575	1.52			193.675	23.020	1.52	28.575	
5.750	1.125	0.06	36690	36620D	7.625	2.125	0.03	2.562	TDO
146.050	28.575	1.52			193.675	53.975	0.76	65.085	
5.750	1.125	0.19	36691	36620	7.625	0.906	0.06	1.125	TS
146.050	28.575	4.83			193.675	23.020	1.52	28.575	
5.750	1.125	0.19	36691	36620D	7.625	2.125	0.03	2.562	TDO
146.050	28.575	4.83			193.675	53.975	0.76	65.085	
5.750	1.575	0.14	M229349	M229310	8.000	1.500	0.14	1.776	TS
146.050	40.000	3.50			203.200	38.100	3.50	45.100	
5.750	2.230	0.14	82576	82931	9.313	1.750	0.13	2.250	TS
146.050	56.642	3.50			236.538	44.450	3.30	57.150	
5.750	2.230	0.14	82576	82950	9.500	1.750	0.13	2.250	TS
146.050	56.642	3.50			241.300	44.450	3.30	57.150	
5.750	2.230	0.14	82576	82950-B	9.500	1.750	0.13	0.875	TSF
146.050	56.642	3.50			241.300	44.450	3.30	22.225	

Tapered Roller Bearings

Bore Size Listing - Continued

Cone			Part Number		Cup			Bearing	
Bore d	Width B	BF Radius R	Cone	Cup	OD D	Width C	BF Radius r	Width T / T1	Brg Type
5.750	2.230	0.14	82576	82951CD	9.500	4.188	0.06	5.188	TDO
146.050	56.642	3.50			241.300	106.362	1.52	131.762	
5.750	2.230	0.14	HM231140	HM231111CD	9.313	4.188	0.06	5.188	TDO
146.050	56.642	3.50			236.538	106.362	1.52	131.762	
5.750	2.625	0.28	99575	99100	10.000	1.875	0.13	2.625	TS
146.050	66.675	7.00			254.000	47.625	3.30	66.675	
5.750	2.625	0.28	99575	99102CD	10.000	4.375	0.06	5.875	TDO
146.050	66.675	7.00			254.000	111.125	1.52	149.225	
5.750	2.938	0.25	EE107057	107105	10.563	2.250	0.25	2.938	TS
146.050	74.612	6.35			268.288	57.150	6.35	74.612	
5.750	2.938	0.25	EE107057	107105CD	10.563	4.938	0.06	6.313	TDO
146.050	74.612	6.35			268.288	125.412	1.52	160.338	
5.750	3.250	0.25	HH932145	HH932110	12.000	2.250	0.25	3.500	TS
146.050	82.550	6.35			304.800	57.150	6.35	88.900	
5.750	3.250	0.25	HH932145	HH932115	12.250	2.250	0.25	3.500	TS
146.050	82.550	6.35			311.150	57.150	6.35	88.900	
5.875	2.230	0.14	HM231149	HM231111CD	9.313	4.188	0.06	5.188	TDO
149.225	56.642	3.50			236.538	106.362	1.52	131.762	
5.875	2.230	0.25	HM231148	HM231110	9.313	1.750	0.13	2.250	TS
149.225	56.642	6.35			236.538	44.450	3.30	57.150	
5.875	2.230	0.25	HM231148	HM231111CD	9.313	4.188	0.06	5.188	TDO
149.225	56.642	6.35			236.538	106.362	1.52	131.762	
5.904	2.750	0.12	HM133436	HM133413XD	9.838	6.299	0.04	6.054	TDO
149.967	69.850	3.05			249.873	160.000	1.02	153.764	
5.904	2.750	0.12	HM133436	HM133416XD	9.938	7.250	0.00	7.005	TDO
149.967	69.850	3.05			252.412	184.150		177.914	
5.906	1.125	0.13	JL730646	JL730612	8.071	0.844	0.13	1.125	TS
150.000	28.575	3.30			205.000	21.438	3.30	28.580	
5.906	1.125	0.13	JL730646	JL730612-B	8.071	0.844	0.13	0.472	TSF
150.000	28.575	3.30			205.000	21.438	3.30	12.000	
5.906	1.496	0.10	32930M	-	8.268	1.181	0.08	1.496	TS
150.000	38.000	2.54			210.000	30.000	2.03	38.000	
5.906	1.772	0.16	30230M	-	10.630	1.496	0.12	1.929	TS
150.000	45.000	4.00			270.000	38.000	3.05	49.000	
5.906	1.890	0.12	32030XM	-	8.858	1.417	0.10	1.890	TS
150.000	48.001	3.05			225.000	36.000	2.54	48.000	
6.000	0.945	0.08	L630349	L630310	7.563	0.748	0.08	0.984	TS
152.400	24.000	2.03			192.088	19.000	2.03	25.000	
6.000	0.945	0.08	L630349	L630310-B	7.563	0.748	0.08	0.393	TSF
152.400	24.000	2.03			192.088	19.000	2.03	9.970	
6.000	1.125	0.13	L730649	L730610	8.000	0.844	0.13	1.125	TS
152.400	28.575	3.30			203.200	21.438	3.30	28.575	
6.000	1.625	0.13	LM330448	LM330410	8.000	1.375	0.13	1.625	TS
152.400	41.275	3.30			203.200	34.925	3.30	41.275	

Tapered Roller Bearings

Bore Size Listing - Continued

Cone			Part Number		Cup			Bearing	
Bore d	Width B	BF Radius R	Cone	Cup	OD D	Width C	BF Radius r	Width T / T1	Brg Type
6.000	1.844	0.14	M231649	M231610	8.750	1.375	0.06	1.844	TS
152.400	46.830	3.50			222.250	34.925	1.52	46.830	
6.000	1.844	0.31	M231648	M231610	8.750	1.375	0.06	1.844	TS
152.400	46.830	8.00			222.250	34.925	1.52	46.830	
6.000	2.625	0.28	99600	99100	10.000	1.875	0.13	2.625	TS
152.400	66.675	7.00			254.000	47.625	3.30	66.675	
6.000	2.625	0.28	99600	99100-B	10.000	1.875	0.13	1.188	TSF
152.400	66.675	7.00			254.000	47.625	3.30	30.162	
6.000	2.625	0.28	99600	99102CD	10.000	4.375	0.06	5.875	TDO
152.400	66.675	7.00			254.000	111.125	1.52	149.225	
6.000	2.938	0.25	EE107060	107105	10.563	2.250	0.25	2.938	TS
152.400	74.612	6.35			268.288	57.150	6.35	74.612	
6.000	2.938	0.25	EE107060	107105CD	10.563	4.938	0.06	6.313	TDO
152.400	74.612	6.35			268.288	125.412	1.52	160.338	
6.000	3.063	0.06	H432649	H432610	10.625	2.520	0.13	3.032	TS
152.387	77.788	1.52			269.875	64.000	3.30	77.000	
6.000	3.688	0.38	EE450601	451212	12.125	2.438	0.27	3.500	TS
152.400	93.662	9.65			307.975	61.912	6.80	88.900	
6.000	3.688	0.38	HH234048	HH234010	12.125	2.625	0.27	3.500	TS
152.400	93.662	9.65			307.975	66.675	6.80	88.900	
6.000	3.688	0.38	HH234049	HH234010	12.125	2.625	0.27	3.500	TS
152.400	93.662	9.65			307.975	66.675	6.80	88.900	
6.000	6.750	0.38	450900D	451212	12.125	2.438	0.27	6.375	TDI
152.400	171.450	9.65			307.975	61.912	6.80	161.925	
6.125	3.125	0.25	H936340	H936310	13.000	2.125	0.25	3.375	TS
155.575	79.375	6.35			330.200	53.975	6.35	85.725	
6.125	3.125	0.25	H936340	H936316	13.500	2.125	0.25	3.375	TS
155.575	79.375	6.35			342.900	53.975	6.35	85.725	
6.250	0.938	0.06	L432349	L432310	8.094	0.719	0.06	0.938	TS
158.750	23.812	1.52			205.583	18.258	1.52	23.812	
6.250	1.563	0.14	46780	46720	8.875	1.313	0.13	1.625	TS
158.750	39.688	3.50			225.425	33.338	3.30	41.275	
6.250	1.563	0.14	46780	46720CD	8.875	2.750	0.03	3.375	TDO
158.750	39.688	3.50			225.425	69.850	0.76	85.725	
6.250	2.721	0.25	EE280626	281200	12.000	1.688	0.13	2.625	TS
158.750	69.106	6.35			304.800	42.862	3.30	66.675	
6.299	1.181	0.12	JP16049	JP16010	8.661	0.906	0.12	1.260	TS
160.000	30.000	3.05			220.000	23.000	3.05	32.000	
6.299	1.752	0.12	JM734445	JM734410	9.449	1.457	0.10	1.811	TS
160.000	44.500	3.05			240.000	37.000	2.54	46.000	
6.299	2.008	0.12	32032XM	-	9.449	1.496	0.10	2.008	TS
160.000	51.000	3.05			240.000	38.000	2.54	51.000	
6.312	2.500	0.28	HM237532	HM237510	11.375	1.875	0.13	2.500	TS
160.325	63.500	7.00			288.925	47.625	3.30	63.500	

Tapered Roller Bearings

Bore Size Listing - Continued

Cone			Part Number		Cup			Bearing	
Bore d	Width B	BF Radius R	Cone	Cup	OD D	Width C	BF Radius r	Width T / T1	Brg Type
6.312	2.500	0.28	HM237532	HM237510CD	11.375	4.375	0.06	5.625	TDO
160.325	63.500	7.00			288.925	111.125	1.52	142.875	
6.500	1.563	0.14	46790	46720	8.875	1.313	0.13	1.625	TS
165.100	39.688	3.50			225.425	33.338	3.30	41.275	
6.500	1.563	0.14	46790	46720-B	8.875	1.313	0.13	0.531	TSF
165.100	39.688	3.50			225.425	33.337	3.30	13.495	
6.500	1.563	0.14	46790	46720CD	8.875	2.750	0.03	3.375	TDO
165.100	39.688	3.50			225.425	69.850	0.76	85.725	
6.500	1.732	0.14	M533349-S	M533310	9.133	1.417	0.14	1.772	TS
165.100	44.000	3.50			231.976	35.999	3.50	45.001	
6.500	1.813	0.19	86650	86100	10.000	1.313	0.13	1.813	TS
165.100	46.038	4.83			254.000	33.338	3.30	46.038	
6.500	1.813	0.19	M235145	M235113	10.000	1.313	0.13	1.813	TS
165.100	46.038	4.83			254.000	33.338	3.30	46.038	
6.500	1.875	0.14	67780	67720	9.750	1.500	0.13	1.875	TS
165.100	47.625	3.50			247.650	38.100	3.30	47.625	
6.500	1.875	0.14	67780	67720CD	9.750	3.313	0.03	4.063	TDO
165.100	47.625	3.50			247.650	84.138	0.76	103.188	
6.500	2.500	0.28	94649	94113	11.375	1.875	0.13	2.500	TS
165.100	63.500	7.00			288.925	47.625	3.30	63.500	
6.500	2.500	0.28	94649	94114CD	11.375	4.375	0.06	5.625	TDO
165.100	63.500	7.00			288.925	111.125	1.52	142.875	
6.500	2.500	0.28	HM237535	HM237510	11.375	1.875	0.13	2.500	TS
165.100	63.500	7.00			288.925	47.625	3.30	63.500	
6.500	2.500	0.28	HM237535	HM237510CD	11.375	4.375	0.06	5.625	TDO
165.100	63.500	7.00			288.925	111.125	1.52	142.875	
6.500	2.938	0.06	HM136940	HM136916XD	10.875	7.312	0.00	7.127	TDO
167.627	74.612	1.52			276.225	185.725		181.023	
6.500	3.250	0.25	EE219065	219117	11.750	2.500	0.25	3.250	TS
165.100	82.550	6.35			298.450	63.500	6.35	82.550	
6.500	3.250	0.25	EE219065	219122	12.250	2.500	0.25	3.250	TS
165.100	82.550	6.35			311.150	63.500	6.35	82.550	
6.500	3.250	0.25	H238140	H238110	12.250	2.563	0.25	3.250	TS
165.100	82.550	6.35			311.150	65.088	6.35	82.550	
6.500	3.750	0.13	HH437549	HH437510	13.250	2.750	0.25	3.625	TS
165.100	95.250	3.30			336.550	69.850	6.35	92.075	
6.563	1.563	0.14	46792	46720	8.875	1.313	0.13	1.625	TS
166.687	39.687	3.50			225.425	33.338	3.30	41.275	
6.563	1.563	0.14	46792	46720-B	8.875	1.313	0.13	0.531	TSF
166.687	39.687	3.50			225.425	33.337	3.30	13.495	
6.563	1.563	0.14	46792	46720CD	8.875	2.750	0.03	3.375	TDO
166.687	39.687	3.50			225.425	69.850	0.76	85.725	
6.625	1.875	0.14	67782	67720	9.750	1.500	0.13	1.875	TS
168.275	47.625	3.50			247.650	38.100	3.30	47.625	

Tapered Roller Bearings

Bore Size Listing - Continued

Cone			Part Number		Cup			Bearing	
Bore d	Width B	BF Radius R	Cone	Cup	OD D	Width C	BF Radius r	Width T / T1	Brg Type
6.625	1.875	0.14	67782	67720CD	9.750	3.313	0.03	4.063	TDO
168.275	47.625	3.50			247.650	84.138	0.76	103.188	
6.625	3.125	0.25	H936349	H936310	13.000	2.125	0.25	3.375	TS
168.275	79.375	6.35			330.200	53.975	6.35	85.725	
6.693	1.181	0.12	JP17049	JP17010	9.055	0.906	0.12	1.260	TS
170.000	30.000	3.05			230.000	23.000	3.05	32.000	
6.693	1.496	0.10	32934M	-	9.055	1.181	0.08	1.496	TS
170.000	38.000	2.54			230.000	30.000	2.03	38.000	
6.693	1.496	0.12	JHM534149	JHM534110	9.055	1.221	0.10	1.535	TS
170.000	38.000	3.05			230.000	31.000	2.54	39.000	
6.693	1.752	0.12	JM734449	JM734410	9.449	1.457	0.10	1.811	TS
170.000	44.500	3.05			240.000	37.000	2.54	46.000	
6.693	1.813	0.19	86669	86100	10.000	1.313	0.13	1.813	TS
170.000	46.038	4.83			254.000	33.338	3.30	46.038	
6.693	1.813	0.19	86669	86100-B	10.000	1.313	0.13	0.875	TSF
170.000	46.038	4.83			254.000	33.338	3.30	22.225	
6.693	2.244	0.12	32034XM	-	10.236	1.693	0.10	2.244	TS
170.000	57.000	3.05			260.000	43.000	2.54	57.000	
6.750	0.969	0.06	L435049	L435010	8.750	0.750	0.06	1.000	TS
171.450	24.608	1.52			222.250	19.050	1.52	25.400	
6.750	2.625	0.14	HM535349	HM535310	10.250	2.063	0.13	2.625	TS
171.450	66.675	3.50			260.350	52.388	3.30	66.675	
6.875	1.875	0.14	67787	67720	9.750	1.500	0.13	1.875	TS
174.625	47.625	3.50			247.650	38.100	3.30	47.625	
6.875	1.875	0.14	67787	67720CD	9.750	3.313	0.03	4.063	TDO
174.625	47.625	3.50			247.650	84.138	0.76	103.188	
6.875	1.875	0.31	67786	67720	9.750	1.500	0.13	1.875	TS
174.625	47.625	8.00			247.650	38.100	3.30	47.625	
6.875	1.875	0.31	67786	67720CD	9.750	3.313	0.03	4.063	TDO
174.625	47.625	8.00			247.650	84.138	0.76	103.188	
6.875	2.125	0.14	M236845	M236810	10.250	1.625	0.13	2.125	TS
174.625	53.975	3.50			260.350	41.275	3.30	53.975	
6.875	2.500	0.28	94687	94113	11.375	1.875	0.13	2.500	TS
174.625	63.500	7.00			288.925	47.625	3.30	63.500	
6.875	2.500	0.28	94687	94114CD	11.375	4.375	0.06	5.625	TDO
174.625	63.500	7.00			288.925	111.125	1.52	142.875	
6.875	2.500	0.28	HM237542	HM237510	11.375	1.875	0.13	2.500	TS
174.625	63.500	7.00			288.925	47.625	3.30	63.500	
6.875	2.500	0.28	HM237542	HM237510CD	11.375	4.375	0.06	5.625	TDO
174.625	63.500	7.00			288.925	111.125	1.52	142.875	
6.875	3.250	0.25	EE219068	219117	11.750	2.500	0.25	3.250	TS
174.625	82.550	6.35			298.450	63.500	6.35	82.550	
6.875	3.250	0.25	EE219068	219122	12.250	2.500	0.25	3.250	TS
174.625	82.550	6.35			311.150	63.500	6.35	82.550	

Tapered Roller Bearings

Bore Size Listing - Continued

Cone			Part Number		Cup			Bearing	
Bore d	Width B	BF Radius R	Cone	Cup	OD D	Width C	BF Radius r	Width T / T1	Brg Type
6.875	3.250	0.25	H238148	H238110	12.250	2.563	0.25	3.250	TS
174.625	82.550	6.35			311.150	65.088	6.35	82.550	
7.000	1.188	0.06	36990	36920	8.938	0.906	0.06	1.188	TS
177.800	30.162	1.52			227.012	23.020	1.52	30.162	
7.000	1.875	0.14	67790	67720	9.750	1.500	0.13	1.875	TS
177.800	47.625	3.50			247.650	38.100	3.30	47.625	
7.000	1.875	0.14	67790	67720-B	9.750	1.500	0.13	0.656	TSF
177.800	47.625	3.50			247.650	38.100	3.30	16.670	
7.000	1.875	0.41	67791	67720	9.750	1.500	0.13	1.875	TS
177.800	47.625	10.50			247.650	38.100	3.30	47.625	
7.000	1.875	0.41	67791	67720CD	9.750	3.313	0.03	4.063	TDO
177.800	47.625	10.50			247.650	84.138	0.76	103.188	
7.000	2.125	0.14	M236849	M236810	10.250	1.625	0.13	2.125	TS
177.800	53.975	3.50			260.350	41.275	3.30	53.975	
7.000	2.125	0.31	M236848	M236810	10.250	1.625	0.13	2.125	TS
177.800	53.975	8.00			260.350	41.275	3.30	53.975	
7.000	2.188	0.14	M238840	M238810	10.625	1.688	0.13	2.188	TS
177.800	55.562	3.50			269.875	42.862	3.30	55.562	
7.000	2.438	0.13	82680X	82620	11.000	1.719	0.13	2.438	TS
177.800	61.912	3.30			279.400	43.655	3.30	61.912	
7.000	2.500	0.28	94700	94113	11.375	1.875	0.13	2.500	TS
177.800	63.500	7.00			288.925	47.625	3.30	63.500	
7.000	2.500	0.28	94700	94113-B	11.375	1.875	0.13	1.063	TSF
177.800	63.500	7.00			288.925	47.625	3.30	26.988	
7.000	2.500	0.28	94700	94114CD	11.375	4.375	0.06	5.625	TDO
177.800	63.500	7.00			288.925	111.125	1.52	142.875	
7.000	2.500	0.28	HM237545	HM237510	11.375	1.875	0.13	2.500	TS
177.800	63.500	7.00			288.925	47.625	3.30	63.500	
7.000	2.500	0.28	HM237545	HM237510-B	11.375	1.875	0.13	1.063	TSF
177.800	63.500	7.00			288.925	47.625	3.30	26.988	
7.000	2.500	0.28	HM237545	HM237510CD	11.375	4.375	0.06	5.625	TDO
177.800	63.500	7.00			288.925	111.125	1.52	142.875	
7.000	2.500	0.28	HM237545	HM237513	11.416	1.890	0.12	2.500	TS
177.800	63.500	7.00			289.975	48.000	3.05	63.500	
7.000	2.938	0.06	HM136948	HM136916XD	10.875	7.312	0.00	7.127	TDO
177.787	74.612	1.52			276.225	185.725		181.023	
7.000	3.375	0.14	H239640	H239610	12.597	2.563	0.19	3.500	TS
177.800	85.725	3.50			319.964	65.088	4.83	88.900	
7.000	3.563	0.06	67790D	67720	9.750	1.500	0.13	3.563	TDI
177.800	90.488	1.52			247.650	38.100	3.30	90.488	
7.000	3.750	0.25	EE350701	351687	16.875	2.438	0.25	4.188	TS
177.800	95.250	6.35			428.625	61.912	6.35	106.362	
7.000	4.500	0.13	EE280700D	281200	12.000	1.688	0.13	4.309	TDI
177.800	114.300	3.30			304.800	42.862	3.30	109.438	

Tapered Roller Bearings

Bore Size Listing - Continued

Cone			Part Number		Cup			Bearing	
Bore d	Width B	BF Radius R	Cone	Cup	OD D	Width C	BF Radius r	Width T / T1	Brg Type
7.000	4.875	0.06	94706D	94113	11.375	1.875	0.13	4.875	TDI
177.800	123.825	1.52			288.925	47.625	3.30	123.825	
7.000	4.875	0.06	HM237546D	HM237510	11.375	1.875	0.13	4.875	TDI
177.800	123.825	1.52			288.925	47.625	3.30	123.825	
7.000	4.875	0.06	HM237546D	HM237513	11.416	1.890	0.12	4.875	TDI
177.800	123.825	1.52			289.975	48.000	3.05	123.825	
7.086	2.500	0.14	93708	93127CD	12.500	4.375	0.06	5.750	TDO
179.975	63.500	3.50			317.500	111.125	1.52	146.050	
7.087	1.181	0.12	JP18049	JP18010-B	9.449	0.906	0.12	0.591	TSF
180.000	30.000	3.05			240.000	23.000	3.05	15.000	
7.087	1.772	0.10	32936M	-	9.843	1.339	0.08	1.772	TS
180.000	45.000	2.54			250.000	34.000	2.03	45.000	
7.087	1.772	0.12	JM736149	JM736110	9.843	1.457	0.10	1.850	TS
180.000	45.000	3.05			250.000	37.000	2.54	47.000	
7.087	2.520	0.12	32036XM	-	11.024	1.890	0.10	2.520	TS
180.000	64.000	3.05			280.000	48.000	2.54	64.000	
7.250	1.000	0.06	LL537649	LL537610	9.313	0.750	0.06	1.031	TS
184.150	25.400	1.52			236.538	19.050	1.52	26.192	
7.250	1.299	0.08	LM236749	LM236710A	9.261	1.102	0.08	1.339	TS
184.150	33.000	2.03			235.229	28.000	2.03	34.000	
7.250	1.844	0.14	67883	67820	10.500	1.500	0.13	1.875	TS
184.150	46.833	3.50			266.700	38.100	3.30	47.625	
7.250	1.844	0.14	67883	67820CD	10.500	3.313	0.03	4.063	TDO
184.150	46.833	3.50			266.700	84.138	0.76	103.188	
7.375	1.844	0.14	67884	67820	10.500	1.500	0.13	1.875	TS
187.325	46.833	3.50			266.700	38.100	3.30	47.625	
7.375	1.844	0.14	67884	67820CD	10.500	3.313	0.03	4.063	TDO
187.325	46.833	3.50			266.700	84.138	0.76	103.188	
7.375	1.875	0.14	87737	87111	11.125	1.438	0.13	2.000	TS
187.325	47.625	3.50			282.575	36.512	3.30	50.800	
7.375	1.875	0.14	87737	87112D	11.125	3.125	0.06	4.250	TDO
187.325	47.625	3.50			282.575	79.375	1.52	107.950	
7.375	1.875	0.14	87737	87112DC	11.125	3.125	0.06	4.250	TDO
187.325	47.625	3.50			282.575	79.375	1.52	107.950	
7.375	2.188	0.14	M238849	M238810	10.625	1.688	0.13	2.188	TS
187.325	55.562	3.50			269.875	42.862	3.30	55.562	
7.375	3.375	0.22	H239649	H239610	12.597	2.563	0.19	3.500	TS
187.325	85.725	5.50			319.964	65.088	4.83	88.900	
7.375	3.375	0.22	H239649	H239612	12.625	2.563	0.19	3.500	TS
187.325	85.725	5.50			320.675	65.088	4.83	88.900	
7.375	3.375	0.22	H239649	H239612CD	12.625	5.438	0.06	7.313	TDO
187.325	85.725	5.50			320.675	138.112	1.52	185.738	
7.375	6.375	0.13	H239649D	H239610	12.597	2.563	0.19	6.625	TDI
187.325	161.925	3.30			319.964	65.088	4.83	168.275	

Tapered Roller Bearings

Bore Size Listing - Continued

Cone			Part Number		Cup			Bearing	
Bore d	Width B	BF Radius R	Cone	Cup	OD D	Width C	BF Radius r	Width T / T1	Brg Type
7.375	6.375	0.13	H239649D	H239612	12.625	2.563	0.19	6.625	TDI
187.325	161.925	3.30			320.675	65.088	4.83	168.275	
7.480	1.732	0.12	JM738249	JM738210	10.236	1.437	0.10	1.811	TS
190.000	44.000	3.05			260.000	36.500	2.54	46.000	
7.480	1.732	0.31	JM738249A	JM738210	10.236	1.437	0.10	1.811	TS
190.000	44.000	8.00			260.000	36.500	2.54	46.000	
7.480	2.520	0.12	32038XM	-	11.417	1.890	0.10	2.520	TS
190.000	64.000	3.05			290.000	48.000	2.54	64.000	
7.500	1.844	0.14	67885	67820	10.500	1.500	0.13	1.875	TS
190.500	46.833	3.50			266.700	38.100	3.30	47.625	
7.500	1.844	0.14	67885	67820-B	10.500	1.500	0.13	0.656	TSF
190.500	46.833	3.50			266.700	38.100	3.30	16.670	
7.500	1.844	0.14	67885	67820CD	10.500	3.313	0.03	4.063	TDO
190.500	46.833	3.50			266.700	84.138	0.76	103.188	
7.500	1.875	0.14	87750	87111	11.125	1.438	0.13	2.000	TS
190.500	47.625	3.50			282.575	36.512	3.30	50.800	
7.500	1.875	0.14	87750	87111-B	11.125	1.438	0.13	0.938	TSF
190.500	47.625	3.50			282.575	36.512	3.30	23.812	
7.500	1.875	0.14	87750	87112D	11.125	3.125	0.06	4.250	TDO
190.500	47.625	3.50			282.575	79.375	1.52	107.950	
7.500	1.875	0.14	87750	87112DC	11.125	3.125	0.06	4.250	TDO
190.500	47.625	3.50			282.575	79.375	1.52	107.950	
7.500	2.500	0.17	93750	93125	12.500	1.813	0.13	2.500	TS
190.500	63.500	4.32			317.500	46.038	3.30	63.500	
7.500	2.500	0.17	93750	93127CD	12.500	4.375	0.06	5.750	TDO
190.500	63.500	4.32			317.500	111.125	1.52	146.050	
7.500	3.500	0.25	EE420751	421437	14.372	2.500	0.13	3.625	TS
190.500	88.897	6.35			365.049	63.500	3.30	92.075	
7.500	3.500	0.25	EE420751	421451CD	14.500	5.375	0.06	7.625	TDO
190.500	88.897	6.35			368.300	136.525	1.52	193.675	
7.500	3.750	0.25	EE350750	351687	16.875	2.438	0.25	4.188	TS
190.500	95.250	6.35			428.625	61.912	6.35	106.362	
7.500	3.750	0.25	HH840249	HH840210	13.250	2.875	0.25	3.875	TS
190.500	95.250	6.35			336.550	73.025	6.35	98.425	
7.500	6.000	0.13	EE420750D	421437	14.372	2.500	0.13	6.250	TDI
190.500	152.400	3.30			365.049	63.500	3.30	158.750	
7.563	1.844	0.41	67887	67820	10.500	1.500	0.13	1.875	TS
192.088	46.833	10.50			266.700	38.100	3.30	47.625	
7.563	1.844	0.41	67887	67830	11.024	1.417	0.13	1.832	TS
192.088	46.833	10.50			280.000	36.000	3.30	46.525	
7.563	1.844	0.41	67887	67835	11.417	1.417	0.13	1.832	TS
192.088	46.833	10.50			289.992	35.999	3.30	46.525	
7.625	1.875	0.14	87762	87111	11.125	1.438	0.13	2.000	TS
193.675	47.625	3.50			282.575	36.512	3.30	50.800	

bearing
specification:
0010110111011100110101
0010110111011100110101

TIMKEN®

Tapered Roller Bearings

Bore Size Listing - Continued

Cone			Part Number		Cup			Bearing	
Bore d	Width B	BF Radius R	Cone	Cup	OD D	Width C	BF Radius r	Width T / T1	Brg Type
7.625	1.875	0.14	87762	87111-B	11.125	1.438	0.13	0.938	TSF
193.675	47.625	3.50			282.575	36.512	3.30	23.812	
7.625	1.875	0.14	87762	87112D	11.125	3.125	0.06	4.250	TDO
193.675	47.625	3.50			282.575	79.375	1.52	107.950	
7.625	1.875	0.14	87762	87112DC	11.125	3.125	0.06	4.250	TDO
193.675	47.625	3.50			282.575	79.375	1.52	107.950	
7.750	0.906	0.06	LL639249	LL639210	9.500	0.688	0.06	0.938	TS
196.850	23.017	1.52			241.300	17.462	1.52	23.812	
7.750	1.094	0.06	L540049	L540010	10.000	0.844	0.06	1.125	TS
196.850	27.783	1.52			254.000	21.433	1.52	28.575	
7.750	1.094	0.06	L540049	L540010D	10.000	1.875	0.03	2.437	TDO
196.850	27.783	1.52			254.000	47.625	0.76	61.910	
7.750	1.563	0.14	LM739749	LM739710	10.125	1.188	0.13	1.563	TS
196.850	39.688	3.50			257.175	30.162	3.30	39.688	
7.750	1.563	0.14	LM739749	LM739710CD	10.125	2.625	0.03	3.375	TDO
196.850	39.688	3.50			257.175	66.675	0.76	85.725	
7.750	1.563	0.14	LM739749	LM739719	10.500	1.188	0.13	1.563	TS
196.850	39.688	3.50			266.700	30.162	3.30	39.688	
7.874	1.094	0.06	L540048	L540010	10.000	0.844	0.06	1.125	TS
200.000	27.783	1.52			254.000	21.433	1.52	28.575	
7.874	2.008	0.12	32940M	-	11.024	1.535	0.10	2.008	TS
200.000	51.000	3.05			280.000	39.000	2.54	51.000	
7.874	2.441	0.14	JHM840449	JHM840410	11.811	2.008	0.10	2.559	TS
200.000	62.000	3.50			300.000	51.000	2.54	65.000	
7.874	2.756	0.12	32040XM	-	12.205	2.087	0.10	2.756	TS
200.000	70.000	3.05			310.000	53.000	2.54	70.000	
7.875	2.281	0.14	M241543	M241510	11.500	1.813	0.13	2.281	TS
200.025	57.945	3.50			292.100	46.038	3.30	57.945	
7.875	2.281	0.14	M241543	M241510CD	11.500	4.000	0.06	4.938	TDO
200.025	57.945	3.50			292.100	101.600	1.52	125.415	
7.875	2.500	0.17	93787	93125	12.500	1.813	0.13	2.500	TS
200.025	63.500	4.32			317.500	46.038	3.30	63.500	
7.875	2.500	0.17	93787	93127CD	12.500	4.375	0.06	5.750	TDO
200.025	63.500	4.32			317.500	111.125	1.52	146.050	
7.875	4.375	0.25	HH144642	HH144614	15.500	3.313	0.25	4.375	TS
200.025	111.125	6.35			393.700	84.138	6.35	111.125	
7.875	4.438	0.25	H247535	H247510	15.125	3.563	0.25	4.438	TS
200.025	112.712	6.35			384.175	90.488	6.35	112.712	
7.875	4.438	0.25	H247535	H247510CD	15.125	7.625	0.06	9.375	TDO
200.025	112.712	6.35			384.175	193.675	1.52	238.125	
8.000	1.094	0.06	LL641149	LL641110	10.281	0.844	0.06	1.125	TS
203.200	27.783	1.52			261.142	21.433	1.52	28.575	
8.000	1.688	0.14	LM241149	LM241110	10.875	1.344	0.13	1.688	TS
203.200	42.862	3.50			276.225	34.133	3.30	42.862	

Tapered Roller Bearings

Bore Size Listing - Continued

Bore d	Cone		Part Number		OD D	Cup		Bearing	
	Width B	BF Radius R	Cone	Cup		Width C	BF Radius r	Width T / T1	Brg Type
8.000	1.688	0.14	LM241149	LM241110D	10.875	2.875	0.03	3.562	TDO
203.200	42.862	3.50			276.225	73.025	0.76	90.485	
8.000	1.813	0.14	67983	67920	11.125	1.438	0.13	1.813	TS
203.200	46.038	3.50			282.575	36.512	3.30	46.038	
8.000	1.813	0.14	67983	67920CD	11.125	3.250	0.03	4.000	TDO
203.200	46.038	3.50			282.575	82.550	0.76	101.600	
8.000	1.938	0.14	M541349	M541310CD	11.500	3.313	0.03	4.313	TDO
203.200	49.212	3.50			292.100	84.138	0.76	109.538	
8.000	2.281	0.14	M241547	M241510	11.500	1.813	0.13	2.281	TS
203.200	57.945	3.50			292.100	46.038	3.30	57.945	
8.000	2.281	0.14	M241547	M241510CD	11.500	4.000	0.06	4.938	TDO
203.200	57.945	3.50			292.100	101.600	1.52	125.415	
8.000	2.500	0.17	93800	93125	12.500	1.813	0.13	2.500	TS
203.200	63.500	4.32			317.500	46.038	3.30	63.500	
8.000	2.500	0.17	93800	93127CD	12.500	4.375	0.06	5.750	TDO
203.200	63.500	4.32			317.500	111.125	1.52	146.050	
8.000	3.375	0.25	EE114080	114160	16.000	2.250	0.25	3.625	TS
203.200	85.725	6.35			406.400	57.150	6.35	92.075	
8.000	3.375	0.25	EE114080	114161D	16.000	5.000	0.13	7.750	TDO
203.200	85.725	6.35			406.400	127.000	3.30	196.850	
8.000	3.500	0.13	EE420801	421437	14.372	2.500	0.13	3.625	TS
203.200	88.897	3.30			365.049	63.500	3.30	92.075	
8.000	3.500	0.13	EE420801	421451CD	14.500	5.375	0.06	7.625	TDO
203.200	88.897	3.30			368.300	136.525	1.52	193.675	
8.000	3.750	0.25	EE380080	380190	19.000	2.875	0.25	4.625	TS
203.200	95.250	6.35			482.600	73.025	6.35	117.475	
8.000	4.875	0.06	93800D	93125	12.500	1.813	0.13	4.875	TDI
203.200	123.825	1.52			317.500	46.038	3.30	123.825	
8.000	5.250	0.25	93801D	93125	12.500	1.813	0.13	5.250	TDI
203.200	133.350	6.35			317.500	46.038	3.30	133.350	
8.000	6.000	0.13	EE420800D	421437	14.372	2.500	0.13	6.250	TDI
203.200	152.400	3.30			365.049	63.500	3.30	158.750	
8.011	1.250	0.06	LL641148	LL641110	10.281	0.844	0.06	1.125	TS
203.479	31.750	1.52			261.142	21.433	1.52	28.575	
8.063	2.281	0.14	M241549	M241510	11.500	1.813	0.13	2.281	TS
204.788	57.945	3.50			292.100	46.038	3.30	57.945	
8.063	2.281	0.14	M241549	M241510CD	11.500	4.000	0.06	4.938	TDO
204.788	57.945	3.50			292.100	101.600	1.52	125.415	
8.125	1.813	0.14	67985	67920	11.125	1.438	0.13	1.813	TS
206.375	46.038	3.50			282.575	36.512	3.30	46.038	
8.125	1.813	0.14	67985	67920-B	11.125	1.438	0.13	0.656	TSF
206.375	46.038	3.50			282.575	36.512	3.30	16.670	
8.125	1.813	0.14	67985	67920CD	11.125	3.250	0.03	4.000	TDO
206.375	46.038	3.50			282.575	82.550	0.76	101.600	

Tapered Roller Bearings

Bore Size Listing - Continued

Cone			Part Number		Cup			Bearing	
Bore d	Width B	BF Radius R	Cone	Cup	OD D	Width C	BF Radius r	Width T / T1	Brg Type
8.125	3.938	0.13	H242649	H242610	13.250	3.063	0.13	3.875	TS
206.375	100.012	3.30			336.550	77.788	3.30	98.425	
8.125	3.938	0.13	H242649	H242610CD	13.250	6.688	0.06	8.313	TDO
206.375	100.012	3.30			336.550	169.862	1.52	211.138	
8.125	7.250	0.06	H242649D	H242610	13.250	3.063	0.13	7.125	TDI
206.375	184.150	1.52			336.550	77.788	3.30	180.975	
8.250	1.813	0.14	67989	67920	11.125	1.438	0.13	1.813	TS
209.550	46.038	3.50			282.575	36.512	3.30	46.038	
8.250	1.813	0.14	67989	67920-B	11.125	1.438	0.13	0.656	TSF
209.550	46.038	3.50			282.575	36.512	3.30	16.670	
8.250	1.813	0.14	67989	67920CD	11.125	3.250	0.03	4.000	TDO
209.550	46.038	3.50			282.575	82.550	0.76	101.600	
8.250	2.500	0.17	93825	93125	12.500	1.813	0.13	2.500	TS
209.550	63.500	4.32			317.500	46.038	3.30	63.500	
8.250	2.500	0.17	93825	93125-B	12.500	1.813	0.13	1.125	TSF
209.550	63.500	4.32			317.500	46.038	3.30	28.575	
8.250	2.500	0.17	93825	93127CD	12.500	4.375	0.06	5.750	TDO
209.550	63.500	4.32			317.500	111.125	1.52	146.050	
8.250	2.625	0.28	96825	96140	14.000	1.875	0.13	2.688	TS
209.550	66.675	7.00			355.600	47.625	3.30	68.262	
8.375	1.813	0.14	LM742745	LM742710	11.250	1.375	0.13	1.813	TS
212.725	46.038	3.50			285.750	34.925	3.30	46.038	
8.375	1.813	0.14	LM742745	LM742710CD	11.250	3.000	0.03	3.875	TDO
212.725	46.038	3.50			285.750	76.200	0.76	98.425	
8.500	1.250	0.14	543085	543114	11.418	0.875	0.13	1.250	TS
215.900	31.750	3.50			290.010	22.225	3.30	31.750	
8.500	1.250	0.14	543085	543115D	11.313	2.000	0.03	2.750	TDO
215.900	31.750	3.50			287.338	50.800	0.76	69.850	
8.500	1.813	0.14	LM742749	LM742710	11.250	1.375	0.13	1.813	TS
215.900	46.038	3.50			285.750	34.925	3.30	46.038	
8.500	1.813	0.14	LM742749	LM742710-B	11.250	1.375	0.13	0.750	TSF
215.900	46.038	3.50			285.750	34.925	3.30	19.050	
8.500	1.813	0.14	LM742749	LM742710CD	11.250	3.000	0.03	3.875	TDO
215.900	46.038	3.50			285.750	76.200	0.76	98.425	
8.500	2.750	0.27	EE130851	131400	14.000	1.938	0.06	2.750	TS
215.900	69.850	6.80			355.600	49.212	1.52	69.850	
8.500	3.375	0.09	LM742749DW	LM742710	11.250	1.375	0.13	3.375	TDI
215.900	85.725	2.29			285.750	34.925	3.30	85.725	
8.500	5.125	0.25	96851D	96140	14.000	1.875	0.13	5.000	TDI
215.900	130.175	6.35			355.600	47.625	3.30	127.000	
8.625	7.875	0.06	H244849D	H244810	14.125	3.375	0.25	7.750	TDI
219.075	200.025	1.52			358.775	85.725	6.35	196.850	
8.660	1.250	0.14	543086	543114	11.418	0.875	0.13	1.250	TS
219.969	31.750	3.50			290.010	22.225	3.30	31.750	

Tapered Roller Bearings

Bore Size Listing - Continued

Bore d	Cone		Part Number		OD D	Cup		Bearing	
	Width B	BF Radius R	Cone	Cup		Width C	BF Radius r	Width T / T1	Brg Type
8.661 220.000	2.008 51.000	0.12 3.05	32944M	-	11.811 300.000	1.535 39.000	0.10 2.54	2.008 51.000	TS
8.661 220.000	2.992 76.000	0.16 4.00	32044XM	-	13.386 340.000	2.244 57.000	0.12 3.05	2.992 76.000	TS
8.688 220.663	2.438 61.912	0.25 6.35	M244249	M244210	12.375 314.325	1.938 49.212	0.13 3.30	2.438 61.912	TS
8.688 220.663	2.438 61.912	0.25 6.35	M244249	M244210CD	12.375 314.325	4.188 106.362	0.06 1.52	5.188 131.762	TDO
8.688 220.662	4.563 115.888	0.06 1.52	M244249DW	M244210	12.375 314.325	1.938 49.212	0.13 3.30	4.563 115.888	TDI
8.813 223.838	1.813 46.038	0.14 3.50	LM844049	LM844010	11.625 295.275	1.375 34.925	0.13 3.30	1.813 46.038	TS
8.992 228.397	3.375 85.725	0.25 6.35	EE113089	113170	17.000 431.800	1.938 49.212	0.25 6.35	3.625 92.075	TS
8.992 228.397	3.375 85.725	0.25 6.35	EE113089	113171D	17.000 431.800	4.375 111.125	0.13 3.30	7.750 196.850	TDO
8.995 228.460	3.375 85.725	0.25 6.35	EE113091	113170	17.000 431.800	1.938 49.212	0.25 6.35	3.625 92.075	TS
8.995 228.460	3.375 85.725	0.25 6.35	EE113091	113171D	17.000 431.800	4.375 111.125	0.13 3.30	7.750 196.850	TDO
9.000 228.600	1.250 31.750	0.14 3.50	544090	544118	11.813 300.038	0.938 23.812	0.13 3.30	1.313 33.338	TS
9.000 228.600	1.938 49.212	0.25 6.35	88900	88126	12.625 320.675	1.313 33.338	0.13 3.30	2.000 50.800	TS
9.000 228.600	2.063 52.388	0.25 6.35	8573	8520	12.875 327.025	1.438 36.512	0.13 3.30	2.063 52.388	TS
9.000 228.600	2.063 52.388	0.25 6.35	8573	8520CD	12.875 327.025	3.250 82.550	0.06 1.52	4.500 114.300	TDO
9.000 228.600	2.625 66.675	0.28 7.00	96900	96140	14.000 355.600	1.875 47.625	0.13 3.30	2.688 68.262	TS
9.000 228.600	2.625 66.675	0.28 7.00	96900	96140CD	14.000 355.600	4.375 111.125	0.06 1.52	6.000 152.400	TDO
9.000 228.600	2.750 69.850	0.25 6.35	HM746646	HM746610	14.000 355.600	2.000 50.800	0.25 6.35	2.750 69.850	TS
9.000 228.600	2.750 69.850	0.25 6.35	HM746646	HM746610CD	14.000 355.600	4.500 114.300	0.06 1.52	6.000 152.400	TDO
9.000 228.600	2.750 69.850	0.27 6.80	EE130902	131400	14.000 355.600	1.938 49.212	0.06 1.52	2.750 69.850	TS
9.000 228.600	2.750 69.850	0.27 6.80	EE130902	131401CD	14.000 355.600	4.375 111.125	0.06 1.52	6.000 152.400	TDO
9.000 228.600	2.813 71.438	0.14 3.50	M249732	M249710	14.125 358.775	2.125 53.975	0.13 3.30	2.813 71.438	TS
9.000 228.600	2.813 71.438	0.14 3.50	M249732	M249710CD	14.125 358.775	4.625 117.475	0.06 1.52	6.000 152.400	TDO

bearing
specification:
0010110111011100110101
0010110111011100110101

TIMKEN®

Tapered Roller Bearings

Bore Size Listing - Continued

Cone			Part Number		Cup			Bearing	
Bore d	Width B	BF Radius R	Cone	Cup	OD D	Width C	BF Radius r	Width T / T1	Brg Type
9.000	3.438	0.41	EE430900	431575	15.750	2.500	0.13	3.500	TS
228.600	87.312	10.50			400.050	63.500	3.30	88.900	
9.000	3.438	0.41	EE430900	431576CD	15.750	5.375	0.06	7.375	TDO
228.600	87.312	10.50			400.050	136.525	1.52	187.325	
9.000	3.750	0.06	LM245149DW	LM245110	12.250	1.500	0.13	3.750	TDI
228.600	95.250	1.52			311.150	38.100	3.30	95.250	
9.000	4.375	0.25	HH949549	HH949510	19.250	2.875	0.25	4.875	TS
228.600	111.125	6.35			488.950	73.025	6.35	123.825	
9.000	4.375	0.25	HH949549	HH949510D	19.250	6.000	0.06	10.000	TDO
228.600	111.125	6.35			488.950	152.400	1.52	254.000	
9.000	5.500	0.13	EE529090DW	529157	15.750	2.250	0.13	5.500	TDI
228.600	139.700	3.30			400.050	57.150	3.30	139.700	
9.125	0.847	0.08	LL244549	LL244510	10.563	0.728	0.08	0.886	TS
231.775	21.500	2.03			268.288	18.500	2.03	22.500	
9.125	1.250	0.14	544091	544118	11.813	0.938	0.13	1.313	TS
231.775	31.750	3.50			300.038	23.812	3.30	33.338	
9.125	2.563	0.25	M246942	M246910	13.250	2.000	0.13	2.563	TS
231.775	65.088	6.35			336.550	50.800	3.30	65.088	
9.125	2.813	0.25	M249734	M249710	14.125	2.125	0.13	2.813	TS
231.775	71.438	6.35			358.775	53.975	3.30	71.438	
9.246	2.125	0.14	LM545848	LM545810	12.375	1.438	0.13	1.938	TS
234.848	53.975	3.50			314.325	36.512	3.30	49.212	
9.250	1.813	0.14	LM446349	LM446310	12.250	1.313	0.13	1.813	TS
234.950	46.038	3.50			311.150	33.338	3.30	46.038	
9.250	1.813	0.14	LM446349	LM446310D	12.250	2.875	0.03	3.875	TDO
234.950	46.038	3.50			311.150	73.025	0.76	98.425	
9.250	1.938	0.14	LM545849	LM545810	12.375	1.438	0.13	1.938	TS
234.950	49.212	3.50			314.325	36.512	3.30	49.212	
9.250	1.938	0.25	88925	88126	12.625	1.313	0.13	2.000	TS
234.950	49.212	6.35			320.675	33.338	3.30	50.800	
9.250	2.063	0.25	8574	8520	12.875	1.438	0.13	2.063	TS
234.950	52.388	6.35			327.025	36.512	3.30	52.388	
9.250	2.063	0.25	8575	8520	12.875	1.438	0.13	2.063	TS
234.950	52.388	6.35			327.025	36.512	3.30	52.388	
9.250	2.063	0.25	8575	8520CD	12.875	3.250	0.06	4.500	TDO
234.950	52.388	6.35			327.025	82.550	1.52	114.300	
9.250	2.625	0.28	96925	96140	14.000	1.875	0.13	2.688	TS
234.950	66.675	7.00			355.600	47.625	3.30	68.262	
9.250	2.625	0.28	96925	96140CD	14.000	4.375	0.06	6.000	TDO
234.950	66.675	7.00			355.600	111.125	1.52	152.400	
9.250	2.938	0.25	M252330	M252310	15.000	2.250	0.13	2.938	TS
234.950	74.612	6.35			381.000	57.150	3.30	74.612	
9.250	2.938	0.25	M252330	M252310CD	15.000	4.875	0.06	6.250	TDO
234.950	74.612	6.35			381.000	123.825	1.52	158.750	

Tapered Roller Bearings

Bore Size Listing - Continued

Cone			Part Number		Cup			Bearing	
Bore d	Width B	BF Radius R	Cone	Cup	OD D	Width C	BF Radius r	Width T / T1	Brg Type
9.250	4.438	0.25	H247548	H247510	15.125	3.563	0.25	4.438	TS
234.950	112.712	6.35			384.175	90.488	6.35	112.712	
9.250	4.438	0.25	H247549	H247510	15.125	3.563	0.25	4.438	TS
234.950	112.712	6.35			384.175	90.488	6.35	112.712	
9.250	4.438	0.25	H247549	H247510CD	15.125	7.625	0.06	9.375	TDO
234.950	112.712	6.35			384.175	193.675	1.52	238.125	
9.313	1.750	0.14	88931	88126	12.625	1.313	0.13	1.750	TS
236.538	44.450	3.50			320.675	33.338	3.30	44.450	
9.344	2.563	0.25	M246949	M246910	13.250	2.000	0.13	2.563	TS
237.330	65.088	6.35			336.550	50.800	3.30	65.088	
9.500	2.000	0.25	EE170950	171450	14.500	1.313	0.13	2.000	TS
241.300	50.800	6.35			368.300	33.338	3.30	50.800	
9.500	2.000	0.25	EE170950	171451CD	14.500	3.375	0.06	4.750	TDO
241.300	50.800	6.35			368.300	85.725	1.52	120.650	
9.500	2.063	0.25	8578	8520	12.875	1.438	0.13	2.063	TS
241.300	52.388	6.35			327.025	36.512	3.30	52.388	
9.500	2.063	0.25	8578	8520-B	12.875	1.438	0.13	1.000	TSF
241.300	52.388	6.35			327.025	36.512	3.30	25.400	
9.500	2.063	0.25	8578	8520CD	12.875	3.250	0.06	4.500	TDO
241.300	52.388	6.35			327.025	82.550	1.52	114.300	
9.500	2.250	0.25	EE127095	127135	13.746	1.750	0.13	2.250	TS
241.300	57.150	6.35			349.148	44.450	3.30	57.150	
9.500	2.250	0.25	EE127095	127136CD	13.746	4.000	0.06	5.000	TDO
241.300	57.150	6.35			349.148	101.600	1.52	127.000	
9.500	2.750	0.25	EE275095	275155	15.500	1.969	0.25	2.906	TS
241.300	69.850	6.35			393.700	50.005	6.35	73.817	
9.500	2.750	0.25	EE275095	275156CD	15.500	4.313	0.06	6.188	TDO
241.300	69.850	6.35			393.700	109.538	1.52	157.162	
9.500	3.938	0.25	EE923095	923175	17.500	3.000	0.19	4.000	TS
241.300	100.012	6.35			444.500	76.200	4.83	101.600	
9.500	3.938	0.25	H249148	H249111CD	16.000	7.250	0.06	8.500	TDO
241.300	100.012	6.35			406.400	184.150	1.52	215.900	
9.500	6.875	0.13	EE821096D	821165	16.500	2.813	0.25	7.000	TDI
241.300	174.625	3.30			419.100	71.438	6.35	177.800	
9.507	4.250	0.06	EE127097DW	127135	13.746	1.750	0.13	4.250	TDI
241.478	107.950	1.52			349.148	44.450	3.30	107.950	
9.625	3.000	0.25	EE126097	126150	15.000	2.250	0.19	3.125	TS
244.475	76.200	6.35			381.000	57.150	4.83	79.375	
9.625	3.000	0.25	EE126097	126151CD	15.000	5.000	0.06	6.750	TDO
244.475	76.200	6.35			381.000	127.000	1.52	171.450	
9.625	3.625	0.06	LM247748D	LM247710	12.875	1.500	0.13	3.625	TDI
244.475	92.075	1.52			327.025	38.100	3.30	92.075	
9.625	5.750	0.13	EE126096D	126150	15.000	2.250	0.19	5.750	TDI
244.475	146.050	3.30			381.000	57.150	4.83	146.050	

bearing
specification:
0010110111011100110101
0010110111011100110101

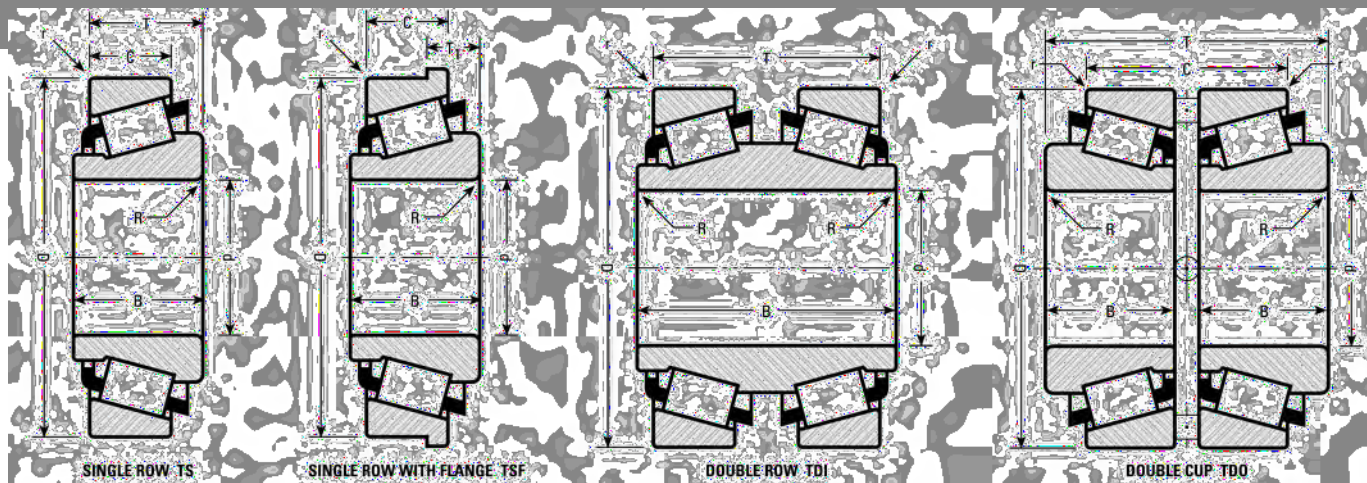
TIMKEN®

Tapered Roller Bearings

Bore Size Listing - Continued

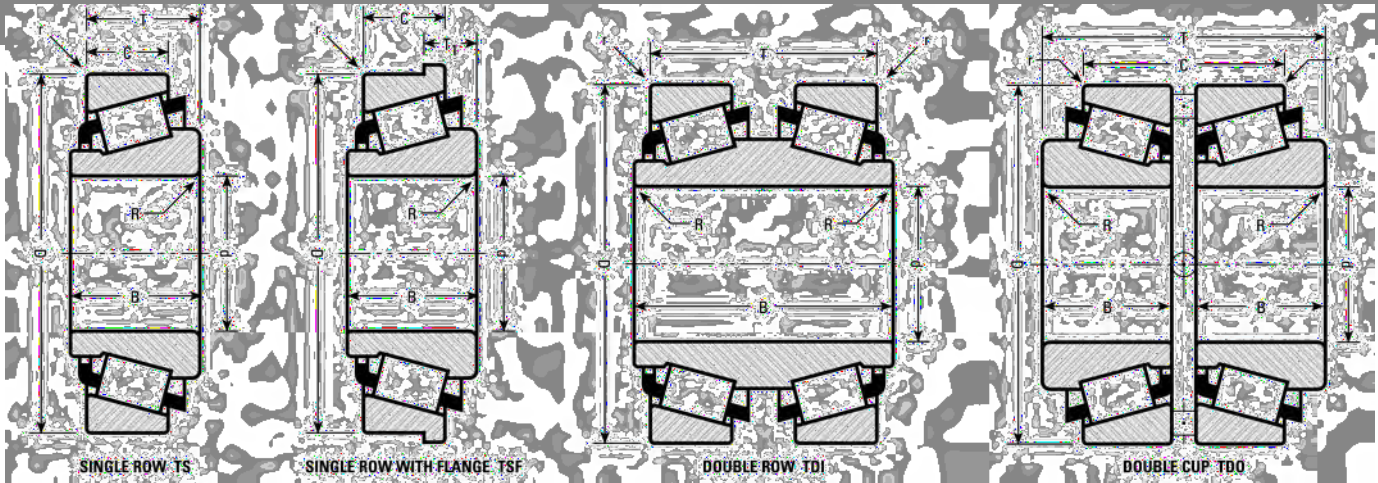
Bore d	Cone		Part Number		OD D	Cup		Bearing		Brg Type
	Width B	BF Radius R	Cone	Cup		Width C	BF Radius r	Width T / T1		
9.750	0.875	0.06	28880	28820	12.000	0.625	0.06	0.875	TS	
247.650	22.225	1.52			304.800	15.875	1.52	22.225		
9.750	2.000	0.25	EE170975	171450	14.500	1.313	0.13	2.000	TS	
247.650	50.800	6.35			368.300	33.338	3.30	50.800		
9.750	2.000	0.25	EE170975	171451CD	14.500	3.375	0.06	4.750	TDO	
247.650	50.800	6.35			368.300	85.725	1.52	120.650		
9.750	2.500	0.25	M348449	M348410	13.625	2.000	0.25	2.500	TS	
247.650	63.500	6.35			346.075	50.800	6.35	63.500		
9.750	2.938	0.25	M252337	M252310	15.000	2.250	0.13	2.938	TS	
247.650	74.612	6.35			381.000	57.150	3.30	74.612		
9.750	2.938	0.25	M252337	M252310CD	15.000	4.875	0.06	6.250	TDO	
247.650	74.612	6.35			381.000	123.825	1.52	158.750		
9.750	4.625	0.25	HH249949	HH249910	16.000	3.688	0.25	4.563	TS	
247.650	117.475	6.35			406.400	93.662	6.35	115.888		
9.750	4.625	0.25	HH249949	HH249910CD	16.000	8.000	0.06	9.750	TDO	
247.650	117.475	6.35			406.400	203.200	1.52	247.650		
9.813	3.000	0.25	EE126098	126150	15.000	2.250	0.19	3.125	TS	
249.250	76.200	6.35			381.000	57.150	4.83	79.375		
9.813	3.000	0.25	EE126098	126151CD	15.000	5.000	0.06	6.750	TDO	
249.250	76.200	6.35			381.000	127.000	1.52	171.450		
9.999	1.634	0.06	L848849	L848810	12.793	1.102	0.13	1.535	TS	
253.975	41.500	1.52			324.950	27.998	3.30	39.000		

Numerical Listing



Part Number	Cone	Cone				Cup		Bearing		Brg Type
		Bore d	Width B	BF Radius R	OD D	Width C	BF Radius r	Width T / T1		
4A	6	0.750	0.469	0.06	1.750	0.375	0.06	0.500	TS	
336	332	19.050	11.908	1.52	44.450	9.525	1.52	12.700	TS	
		1.625	0.882	0.03	3.150	0.702	0.05	0.827		
339	332	41.275	22.403	0.76	80.000	17.826	1.27	21.000	TS	
		1.378	0.882	0.03	3.150	0.702	0.05	0.827		
342	332	35.000	22.403	0.76	80.000	17.826	1.27	21.000	TS	
		1.625	0.882	0.14	3.150	0.702	0.05	0.827		
342A	332	41.275	22.403	3.50	80.000	17.826	1.27	21.000	TS	
		1.625	1.180	0.14	3.150	0.702	0.05	1.125		
342A	332A	41.275	29.977	3.50	80.000	17.826	1.50	28.575	TS	
		1.625	1.180	0.14	3.150	0.827	0.09	1.250		
342A	332US	41.275	29.977	3.50	80.000	21.000	2.50	31.750	TS	
		1.625	1.180	0.14	3.150	0.702	0.08	1.125		
342A	333	41.275	29.977	3.50	80.000	17.826	2.00	28.575	TS	
		1.625	1.180	0.14	3.150	0.827	0.08	1.125		
342A	333A	41.275	29.977	3.50	80.000	21.000	2.00	28.575	TS	
		1.625	1.180	0.14	3.149	0.827	0.03	1.125		
342A	3320	41.275	29.977	3.50	79.974	21.000	0.80	28.575	TS	
		1.625	1.180	0.14	3.156	0.938	0.13	1.361		
342-S	332-B	41.275	29.977	3.50	80.167	23.812	3.30	34.562	TS	
		1.688	0.882	0.14	3.150	0.702	0.03	0.313		
342-S	3320	42.875	22.403	3.50	80.000	17.826	0.76	7.938	TSF	
		1.688	0.882	0.14	3.156	0.938	0.13	1.063		
344	332	42.875	22.403	3.50	80.167	23.812	3.30	26.988	TS	
		1.575	0.882	0.14	3.150	0.702	0.05	0.827		
344A	332	40.000	22.403	3.50	80.000	17.826	1.27	21.000	TS	
		1.575	0.882	0.03	3.150	0.702	0.05	0.827		
		40.000	22.403	0.76	80.000	17.826	1.27	21.000	TS	

Numerical Listing



Part Number		Cone				Cup		Bearing	Brg
Cone	Cup	Bore d	Width B	BF Radius R	OD D	Width C	BF Radius r	Width T / T1	Type
344A	332-B	1.575	0.882	0.03	3.150	0.702	0.03	0.313	TSF
		40.000	22.403	0.76	80.000	17.826	0.76	7.938	
350	352	1.575	0.854	0.16	3.548	0.859	0.09	0.906	TS
		40.000	21.692	4.00	90.119	21.808	2.29	23.000	
350A	354A	1.575	0.854	0.03	3.347	0.688	0.05	0.812	TS
		40.000	21.692	0.76	85.000	17.462	1.27	20.635	
355	354A	1.750	0.854	0.09	3.347	0.688	0.05	0.813	TS
		44.450	21.692	2.29	85.000	17.462	1.27	20.638	
355A	354A	1.750	0.854	0.03	3.347	0.688	0.05	0.813	TS
		44.450	21.692	0.76	85.000	17.462	1.27	20.638	
355X	352	1.750	0.854	0.14	3.548	0.859	0.09	0.906	TS
		44.450	21.692	3.50	90.119	21.808	2.30	23.000	
355X	352A	1.750	0.854	0.14	3.499	0.859	0.09	0.906	TS
		44.450	21.692	3.50	88.875	21.808	2.30	23.000	
355X	352X	1.750	0.854	0.14	3.543	0.859	0.09	0.906	TS
		44.450	21.692	3.50	90.000	21.808	2.30	23.000	
355X	353	1.750	0.854	0.14	3.543	0.906	0.08	0.906	TS
		44.450	21.692	3.50	90.000	23.000	2.00	23.000	
355X	354	1.750	0.854	0.14	3.347	0.748	0.08	0.748	TS
		44.450	21.692	3.50	85.000	19.000	2.00	19.000	
355X	354A	1.750	0.854	0.14	3.347	0.688	0.05	0.813	TS
		44.450	21.692	3.50	85.000	17.462	1.30	20.638	
355X	354X	1.750	0.854	0.14	3.347	0.688	0.06	0.812	TS
		44.450	21.692	3.50	85.000	17.462	1.50	20.635	
355X	3520	1.750	0.854	0.14	3.313	0.938	0.13	1.063	TS
		44.450	21.692	3.50	84.138	23.812	3.30	26.993	
355X	3525	1.750	0.854	0.14	3.438	0.938	0.13	1.063	TS
		44.450	21.692	3.50	87.312	23.812	3.30	26.993	

Numerical Listing

Part Number		Cone			Cup			Bearing	
Cone	Cup	Bore d	Width B	BF Radius R	OD D	Width C	BF Radius r	Width T / T1	Brg Type
358	354A	1.772	0.854	0.06	3.347	0.688	0.05	0.813	TS
		45.000	21.692	1.52	85.000	17.462	1.27	20.638	
359-S	352	1.813	0.854	0.09	3.548	0.859	0.09	0.906	TS
		46.038	21.692	2.29	90.119	21.808	2.29	23.000	
359-S	354A	1.813	0.854	0.09	3.347	0.688	0.05	0.813	TS
		46.038	21.692	2.29	85.000	17.462	1.27	20.638	
365	362A	1.969	0.875	0.08	3.500	0.650	0.05	0.813	TS
		50.000	22.225	2.03	88.900	16.513	1.27	20.638	
365	363D	1.969	0.875	0.08	3.543	1.656	0.03	1.969	TDO
		50.000	22.225	2.03	90.000	42.070	0.76	50.010	
365A	362A	1.625	0.875	0.14	3.500	0.650	0.05	0.813	TS
		41.275	22.225	3.50	88.900	16.513	1.27	20.638	
365A	363D	1.625	0.875	0.14	3.543	1.656	0.03	1.969	TDO
		41.275	22.225	3.50	90.000	42.070	0.76	50.010	
365-S	362A	1.938	0.875	0.03	3.500	0.650	0.05	0.813	TS
		49.212	22.225	0.76	88.900	16.513	1.27	20.638	
365-S	363D	1.938	0.875	0.03	3.543	1.656	0.03	1.969	TDO
		49.212	22.225	0.76	90.000	42.070	0.76	50.010	
366	362A	1.969	0.875	0.09	3.500	0.650	0.05	0.813	TS
		50.000	22.225	2.29	88.900	16.513	1.27	20.638	
366	363D	1.969	0.875	0.09	3.543	1.656	0.03	1.969	TDO
		50.000	22.225	2.29	90.000	42.070	0.76	50.010	
367	362A	1.772	0.875	0.08	3.500	0.650	0.05	0.813	TS
		45.000	22.225	2.03	88.900	16.513	1.27	20.638	
367	363D	1.772	0.875	0.08	3.543	1.656	0.03	1.969	TDO
		45.000	22.225	2.03	90.000	42.070	0.76	50.010	
368	362A	2.000	0.875	0.06	3.500	0.650	0.05	0.813	TS
		50.800	22.225	1.52	88.900	16.513	1.27	20.638	
368	363D	2.000	0.875	0.06	3.543	1.656	0.03	1.969	TDO
		50.800	22.225	1.52	90.000	42.070	0.76	50.010	
368A	362	2.000	0.875	0.14	3.543	0.625	0.08	0.787	TS
		50.800	22.225	3.50	90.000	15.875	2.03	20.000	
368A	362A	2.000	0.875	0.14	3.500	0.650	0.05	0.813	TS
		50.800	22.225	3.50	88.900	16.513	1.27	20.638	
368A	362-B	2.000	0.875	0.14	3.543	0.625	0.03	0.350	TSF
		50.800	22.225	3.50	90.000	15.875	0.76	8.887	
368A	363	2.000	0.875	0.14	3.543	0.787	0.03	0.787	TS
		50.800	22.225	3.50	90.000	20.000	0.76	20.000	
368A	363D	2.000	0.875	0.14	3.543	1.656	0.03	1.969	TDO
		50.800	22.225	3.50	90.000	42.070	0.76	50.010	
368-S	362A	2.031	0.875	0.08	3.500	0.650	0.05	0.813	TS
		51.592	22.225	2.03	88.900	16.513	1.27	20.638	
368-S	362-B	2.031	0.875	0.08	3.543	0.625	0.03	0.350	TSF
		51.592	22.225	2.03	90.000	15.875	0.76	8.887	

Numerical Listing

Part Number		Cone			Cup			Bearing	Brg
Cone	Cup	Bore d	Width B	BF Radius R	OD D	Width C	BF Radius r	Width T / T1	Type
368-S	363D	2.031	0.875	0.08	3.543	1.656	0.03	1.969	TDO
		51.592	22.225	2.03	90.000	42.070	0.76	50.010	
369A	362A	1.875	0.875	0.14	3.500	0.650	0.05	0.813	TS
		47.625	22.225	3.50	88.900	16.513	1.27	20.638	
369A	363D	1.875	0.875	0.14	3.543	1.656	0.03	1.969	TDO
		47.625	22.225	3.50	90.000	42.070	0.76	50.010	
369-S	362A	1.875	0.875	0.09	3.500	0.650	0.05	0.813	TS
		47.625	22.225	2.29	88.900	16.513	1.27	20.638	
369-S	363D	1.875	0.875	0.09	3.543	1.656	0.03	1.969	TDO
		47.625	22.225	2.29	90.000	42.070	0.76	50.010	
370A	362A	2.000	0.875	0.20	3.500	0.650	0.05	0.813	TS
		50.800	22.225	5.00	88.900	16.513	1.27	20.638	
370A	363D	2.000	0.875	0.20	3.543	1.656	0.03	1.969	TDO
		50.800	22.225	5.00	90.000	42.070	0.76	50.010	
375	374	2.000	0.875	0.09	3.672	0.594	0.05	0.813	TS
		50.800	22.225	2.29	93.264	15.083	1.27	20.638	
385	382A	2.165	0.864	0.09	3.813	0.625	0.03	0.827	TS
		55.000	21.946	2.29	96.838	15.875	0.76	21.000	
385	384D	2.165	0.864	0.09	3.937	1.688	0.03	2.063	TDO
		55.000	21.946	2.29	100.000	42.862	0.76	52.388	
385	384ED	2.165	0.864	0.09	3.937	1.562	0.03	1.937	TDO
		55.000	21.946	2.29	100.000	39.675	0.76	49.200	
385A	382A	2.000	0.864	0.09	3.813	0.625	0.03	0.827	TS
		50.800	21.946	2.29	96.838	15.875	0.76	21.000	
385A	384D	2.000	0.864	0.09	3.937	1.688	0.03	2.063	TDO
		50.800	21.946	2.29	100.000	42.862	0.76	52.388	
385A	384ED	2.000	0.864	0.09	3.937	1.562	0.03	1.937	TDO
		50.800	21.946	2.29	100.000	39.675	0.76	49.200	
385AX	382A	2.000	0.864	0.03	3.813	0.625	0.03	0.827	TS
		50.800	21.946	0.76	96.838	15.875	0.76	21.000	
385AX	384D	2.000	0.864	0.03	3.937	1.688	0.03	2.063	TDO
		50.800	21.946	0.76	100.000	42.862	0.76	52.388	
385AX	384ED	2.000	0.864	0.03	3.937	1.562	0.03	1.937	TDO
		50.800	21.946	0.76	100.000	39.675	0.76	49.200	
385X	382A	2.165	0.864	0.14	3.813	0.625	0.03	0.827	TS
		55.000	21.946	3.50	96.838	15.875	0.76	21.000	
385X	384D	2.165	0.864	0.14	3.937	1.688	0.03	2.063	TDO
		55.000	21.946	3.50	100.000	42.862	0.76	52.388	
385X	384ED	2.165	0.864	0.14	3.937	1.562	0.03	1.937	TDO
		55.000	21.946	3.50	100.000	39.675	0.76	49.200	
386A	382A	1.875	0.864	0.03	3.813	0.625	0.03	0.827	TS
		47.625	21.946	0.76	96.838	15.875	0.76	21.000	
386A	384D	1.875	0.864	0.03	3.937	1.688	0.03	2.063	TDO
		47.625	21.946	0.76	100.000	42.862	0.76	52.388	

Numerical Listing

Part Number		Cone			Cup			Bearing	
Cone	Cup	Bore d	Width B	BF Radius R	OD D	Width C	BF Radius r	Width T / T1	Brg Type
386A	384ED	1.875	0.864	0.03	3.937	1.562	0.03	1.937	TDO
		47.625	21.946	0.76	100.000	39.675	0.76	49.200	
387	382A	2.250	0.864	0.09	3.813	0.625	0.03	0.827	TS
		57.150	21.946	2.29	96.838	15.875	0.76	21.000	
387	384D	2.250	0.864	0.09	3.937	1.688	0.03	2.063	TDO
		57.150	21.946	2.29	100.000	42.862	0.76	52.388	
387	384ED	2.250	0.864	0.09	3.937	1.562	0.03	1.937	TDO
		57.150	21.946	2.29	100.000	39.675	0.76	49.200	
387A	382	2.250	0.864	0.14	3.875	0.702	0.03	0.827	TS
		57.150	21.946	3.50	98.425	17.826	0.76	21.000	
387A	382A	2.250	0.864	0.14	3.813	0.625	0.03	0.827	TS
		57.150	21.946	3.50	96.838	15.875	0.76	21.000	
387A	382-B	2.250	0.864	0.14	3.813	0.702	0.03	0.313	TSF
		57.150	21.946	3.50	96.838	17.826	0.76	7.938	
387A	382-S	2.250	0.864	0.14	3.813	0.798	0.09	1.000	TS
		57.150	21.946	3.50	96.838	20.274	2.29	25.400	
387A	383A	2.250	0.864	0.14	3.937	0.702	0.08	0.827	TS
		57.150	21.946	3.50	100.000	17.826	2.03	21.000	
387A	384D	2.250	0.864	0.14	3.937	1.688	0.03	2.063	TDO
		57.150	21.946	3.50	100.000	42.862	0.76	52.388	
387A	384ED	2.250	0.864	0.14	3.937	1.562	0.03	1.937	TDO
		57.150	21.946	3.50	100.000	39.675	0.76	49.200	
387AS	382A	2.250	0.864	0.20	3.813	0.625	0.03	0.827	TS
		57.150	21.946	5.00	96.838	15.875	0.76	21.000	
387AS	384D	2.250	0.864	0.20	3.937	1.688	0.03	2.063	TDO
		57.150	21.946	5.16	100.000	42.862	0.76	52.388	
387AS	384ED	2.250	0.864	0.20	3.937	1.562	0.03	1.937	TDO
		57.150	21.946	5.16	100.000	39.675	0.76	49.200	
387-S	382A	2.250	0.864	0.03	3.813	0.625	0.03	0.827	TS
		57.150	21.946	0.76	96.838	15.875	0.76	21.000	
387-S	384D	2.250	0.864	0.03	3.937	1.688	0.03	2.063	TDO
		57.150	21.946	0.76	100.000	42.862	0.76	52.388	
387-S	384ED	2.250	0.864	0.03	3.937	1.562	0.03	1.937	TDO
		57.150	21.946	0.76	100.000	39.675	0.76	49.200	
388A	382A	2.265	0.864	0.14	3.813	0.625	0.03	0.827	TS
		57.531	21.946	3.50	96.838	15.875	0.76	21.000	
388A	382-B	2.265	0.864	0.14	3.813	0.702	0.03	0.313	TSF
		57.531	21.946	3.50	96.838	17.826	0.76	7.938	
388A	384D	2.265	0.864	0.14	3.937	1.688	0.03	2.063	TDO
		57.531	21.946	3.50	100.000	42.862	0.76	52.388	
388A	384ED	2.265	0.864	0.14	3.937	1.562	0.03	1.937	TDO
		57.531	21.946	3.50	100.000	39.675	0.76	49.200	
389	382A	2.188	0.864	0.09	3.813	0.625	0.03	0.827	TS
		55.575	21.946	2.29	96.838	15.875	0.76	21.000	

Numerical Listing

Part Number		Cone			Cup			Bearing	Brg
Cone	Cup	Bore d	Width B	BF Radius R	OD D	Width C	BF Radius r	Width T / T1	Type
389	384D	2.188	0.864	0.09	3.937	1.688	0.03	2.063	TDO
		55.575	21.946	2.29	100.000	42.862	0.76	52.388	
389	384ED	2.188	0.864	0.09	3.937	1.562	0.03	1.937	TDO
		55.575	21.946	2.29	100.000	39.675	0.76	49.200	
389A	382A	2.125	0.864	0.03	3.813	0.625	0.03	0.827	TS
		53.975	21.946	0.76	96.838	15.875	0.76	21.000	
389A	384D	2.125	0.864	0.03	3.937	1.688	0.03	2.063	TDO
		53.975	21.946	0.76	100.000	42.862	0.76	52.388	
389A	384ED	2.125	0.864	0.03	3.937	1.562	0.03	1.937	TDO
		53.975	21.946	0.76	100.000	39.675	0.76	49.200	
390	394A	2.250	0.866	0.09	4.331	0.741	0.05	0.866	TS
		57.150	21.996	2.29	110.000	18.825	1.27	22.000	
390	394D	2.250	0.866	0.09	4.331	1.813	0.03	2.063	TDO
		57.150	21.996	2.29	110.000	46.038	0.76	52.388	
390A	394A	2.500	0.866	0.06	4.331	0.741	0.05	0.866	TS
		63.500	21.996	1.52	110.000	18.825	1.27	22.000	
390A	394AB	2.500	0.866	0.06	4.331	0.741	0.05	0.312	TSF
		63.500	21.996	1.52	110.000	18.825	1.27	7.925	
390A	394AS	2.500	0.866	0.06	4.331	0.741	0.13	0.866	TS
		63.500	21.996	1.52	110.000	18.825	3.30	22.000	
390A	394D	2.500	0.866	0.06	4.331	1.813	0.03	2.063	TDO
		63.500	21.996	1.52	110.000	46.038	0.76	52.388	
392	394A	2.438	0.866	0.03	4.331	0.741	0.05	0.866	TS
		61.912	21.996	0.76	110.000	18.825	1.27	22.000	
392	394D	2.438	0.866	0.03	4.331	1.813	0.03	2.063	TDO
		61.912	21.996	0.76	110.000	46.038	0.76	52.388	
395	394A	2.500	0.866	0.14	4.331	0.741	0.05	0.866	TS
		63.500	21.996	3.50	110.000	18.825	1.27	22.000	
395	394AB	2.500	0.866	0.14	4.331	0.741	0.05	0.312	TSF
		63.500	21.996	3.50	110.000	18.825	1.27	7.925	
395	394D	2.500	0.866	0.14	4.331	1.813	0.03	2.063	TDO
		63.500	21.996	3.50	110.000	46.038	0.76	52.388	
395A	394A	2.625	0.866	0.03	4.331	0.741	0.05	0.866	TS
		66.675	21.996	0.76	110.000	18.825	1.27	22.000	
395A	394D	2.625	0.866	0.03	4.331	1.813	0.03	2.063	TDO
		66.675	21.996	0.76	110.000	46.038	0.76	52.388	
395CS	394CS	2.625	0.923	0.14	4.468	0.741	0.05	0.923	TS
		66.675	23.444	3.50	113.487	18.825	1.30	23.447	
395-S	394A	2.625	0.866	0.14	4.331	0.741	0.05	0.866	TS
		66.675	21.996	3.50	110.000	18.825	1.27	22.000	
395-S	394AB	2.625	0.866	0.14	4.331	0.741	0.05	0.312	TSF
		66.675	21.996	3.50	110.000	18.825	1.27	7.925	
395-S	394D	2.625	0.866	0.14	4.331	1.813	0.03	2.063	TDO
		66.675	21.996	3.50	110.000	46.038	0.76	52.388	

Numerical Listing

Part Number	Cone	Cone			OD	Cup		Bearing Width	Brg Type
		Bore	Width	BF Radius		Width	BF Radius		
		d	B	R		C	r		
396	394A	1.969	0.866	0.03	4.331	0.741	0.05	0.866	TS
		50.000	21.996	0.76	110.000	18.825	1.27	22.000	
396	394D	1.969	0.866	0.03	4.331	1.813	0.03	2.063	TDO
		50.000	21.996	0.76	110.000	46.038	0.76	52.388	
397	394A	2.362	0.866	0.03	4.331	0.741	0.05	0.866	TS
		60.000	21.996	0.76	110.000	18.825	1.27	22.000	
397	394D	2.362	0.866	0.03	4.331	1.813	0.03	2.063	TDO
		60.000	21.996	0.76	110.000	46.038	0.76	52.388	
398	394A	2.000	0.866	0.03	4.331	0.741	0.05	0.866	TS
		50.800	21.996	0.76	110.000	18.825	1.27	22.000	
398	394D	2.000	0.866	0.03	4.331	1.813	0.03	2.063	TDO
		50.800	21.996	0.76	110.000	46.038	0.76	52.388	
399A	394A	2.688	0.866	0.09	4.331	0.741	0.05	0.866	TS
		68.262	21.996	2.29	110.000	18.825	1.27	22.000	
399A	394D	2.688	0.866	0.09	4.331	1.813	0.03	2.063	TDO
		68.262	21.996	2.29	110.000	46.038	0.76	52.388	
399AS	394A	2.688	0.866	0.20	4.331	0.741	0.05	0.866	TS
		68.262	21.996	5.00	110.000	18.825	1.27	22.000	
399AS	394D	2.688	0.866	0.20	4.331	1.813	0.03	2.063	TDO
		68.262	21.996	5.00	110.000	46.038	0.76	52.388	
399D	394A	2.438	2.187	0.03	4.331	0.741	0.05	2.187	TDI
		61.912	55.550	0.76	110.000	18.825	1.27	55.550	
399D	394AS	2.438	2.187	0.03	4.331	0.741	0.13	2.187	TDI
		61.912	55.550	0.76	110.000	18.825	3.30	55.550	
415	414A	1.500	1.145	0.03	3.484	0.875	0.13	1.063	TS
		38.100	29.083	0.80	88.500	22.225	3.30	26.987	
416	414A	1.181	1.145	0.03	3.484	0.875	0.13	1.063	TS
		30.000	29.083	0.80	88.500	22.225	3.30	26.987	
417	414A	1.375	1.145	0.03	3.484	0.875	0.13	1.063	TS
		34.925	29.083	0.80	88.500	22.225	3.30	26.987	
418	414	1.500	1.145	0.14	3.484	0.875	0.06	1.063	TS
		38.100	29.083	3.50	88.500	22.225	1.52	26.988	
418	414A	1.500	1.145	0.14	3.484	0.875	0.13	1.063	TS
		38.100	29.083	3.50	88.500	22.225	3.30	26.987	
419	414	1.625	1.145	0.14	3.484	0.875	0.06	1.063	TS
		41.275	29.083	3.50	88.500	22.225	1.52	26.988	
419	414A	1.625	1.145	0.14	3.484	0.875	0.13	1.063	TS
		41.275	29.083	3.50	88.500	22.225	3.30	26.987	
420	414	1.575	1.145	0.14	3.484	0.875	0.06	1.063	TS
		40.000	29.083	3.50	88.500	22.225	1.52	26.988	
420	414A	1.575	1.145	0.14	3.484	0.875	0.13	1.063	TS
		40.000	29.083	3.50	88.500	22.225	3.30	26.987	
421	414A	1.378	1.145	0.03	3.484	0.875	0.13	1.063	TS
		35.000	29.083	0.80	88.500	22.225	3.30	26.987	

Numerical Listing

Part Number	Cone	Cone			OD	Cup		Bearing Width	Brg Type
		Bore	Width	BF Radius		Width	BF Radius		
		d	B	R		C	r		
422	414A	1.563	1.145	0.14	3.484	0.875	0.13	1.063	TS
		39.688	29.083	3.50	88.500	22.225	3.30	26.987	
436	432	1.813	1.177	0.14	3.750	0.875	0.09	1.094	TS
		46.038	29.900	3.50	95.250	22.225	2.29	27.783	
436	432-B	1.813	1.177	0.14	3.750	0.875	0.09	0.438	TSF
		46.038	29.900	3.50	95.250	22.225	2.29	11.115	
436	432D	1.813	1.177	0.14	3.750	2.000	0.03	2.438	TDO
		46.038	29.900	3.50	95.250	50.800	0.76	61.915	
438	432	1.750	1.177	0.14	3.750	0.875	0.09	1.094	TS
		44.450	29.900	3.50	95.250	22.225	2.29	27.783	
438	432A	1.750	1.177	0.14	3.750	0.875	0.03	1.094	TS
		44.450	29.900	3.50	95.250	22.225	0.76	27.783	
438	432-B	1.750	1.177	0.14	3.750	0.875	0.09	0.438	TSF
		44.450	29.900	3.50	95.250	22.225	2.29	11.115	
438	432D	1.750	1.177	0.14	3.750	2.000	0.03	2.438	TDO
		44.450	29.900	3.50	95.250	50.800	0.76	61.915	
440	432	1.500	1.177	0.03	3.750	0.875	0.09	1.094	TS
		38.100	29.900	0.76	95.250	22.225	2.29	27.783	
440	432D	1.500	1.177	0.03	3.750	2.000	0.03	2.438	TDO
		38.100	29.900	0.76	95.250	50.800	0.76	61.915	
449	432	1.375	1.177	0.03	3.750	0.875	0.09	1.094	TS
		34.925	29.900	0.76	95.250	22.225	2.29	27.783	
449	432D	1.375	1.177	0.03	3.750	2.000	0.03	2.438	TDO
		34.925	29.900	0.76	95.250	50.800	0.76	61.915	
455	452D	2.000	1.154	0.03	4.250	2.125	0.03	2.563	TDO
		50.800	29.317	0.76	107.950	53.975	0.76	65.090	
455	453X	2.000	1.154	0.03	4.125	0.969	0.13	1.188	TS
		50.800	29.317	0.76	104.775	24.605	3.30	30.162	
455-S	452D	2.000	1.154	0.14	4.250	2.125	0.03	2.563	TDO
		50.800	29.317	3.50	107.950	53.975	0.76	65.090	
455-S	453X	2.000	1.154	0.14	4.125	0.969	0.13	1.188	TS
		50.800	29.317	3.50	104.775	24.605	3.30	30.162	
456	452D	2.125	1.154	0.14	4.250	2.125	0.03	2.563	TDO
		53.975	29.317	3.50	107.950	53.975	0.76	65.090	
456	453X	2.125	1.154	0.14	4.125	0.969	0.13	1.188	TS
		53.975	29.317	3.50	104.775	24.605	3.30	30.162	
460	452D	1.750	1.154	0.14	4.250	2.125	0.03	2.563	TDO
		44.450	29.317	3.50	107.950	53.975	0.76	65.090	
460	453X	1.750	1.154	0.14	4.125	0.969	0.13	1.188	TS
		44.450	29.317	3.50	104.775	24.605	3.30	30.162	
462	452D	2.250	1.154	0.09	4.250	2.125	0.03	2.563	TDO
		57.150	29.317	2.29	107.950	53.975	0.76	65.090	
462	453X	2.250	1.154	0.09	4.125	0.969	0.13	1.188	TS
		57.150	29.317	2.29	104.775	24.605	3.30	30.162	

Numerical Listing

Part Number		Cone			Cup			Bearing	Brg
Cone	Cup	Bore d	Width B	BF Radius R	OD D	Width C	BF Radius r	Width T / T1	Type
462A	4536	2.250	1.154	0.09	4.375	1.281	0.13	1.500	TS
		57.150	29.317	2.30	111.125	32.545	3.30	38.108	
466	452D	2.165	1.154	0.09	4.250	2.125	0.03	2.563	TDO
		54.987	29.317	2.29	107.950	53.975	0.76	65.090	
466	453X	2.165	1.154	0.09	4.125	0.969	0.13	1.188	TS
		54.987	29.317	2.29	104.775	24.605	3.30	30.162	
467	452D	1.875	1.154	0.03	4.250	2.125	0.03	2.563	TDO
		47.625	29.317	0.76	107.950	53.975	0.76	65.090	
467	453X	1.875	1.154	0.03	4.125	0.969	0.13	1.188	TS
		47.625	29.317	0.76	104.775	24.605	3.30	30.162	
468	452D	2.063	1.154	0.06	4.250	2.125	0.03	2.563	TDO
		52.388	29.317	1.52	107.950	53.975	0.76	65.090	
468	453X	2.063	1.154	0.06	4.125	0.969	0.13	1.188	TS
		52.388	29.317	1.52	104.775	24.605	3.30	30.162	
469	452D	2.250	1.154	0.14	4.250	2.125	0.03	2.563	TDO
		57.150	29.317	3.50	107.950	53.975	0.76	65.090	
469	453A	2.250	1.154	0.14	4.250	0.875	0.03	1.094	TS
		57.150	29.317	3.50	107.950	22.225	0.76	27.783	
469	453X	2.250	1.154	0.14	4.125	0.969	0.13	1.188	TS
		57.150	29.317	3.50	104.775	24.605	3.30	30.162	
469	454	2.250	1.154	0.14	4.331	1.063	0.08	1.094	TS
		57.150	29.317	3.50	110.000	27.000	2.03	27.795	
475	472	2.165	1.142	0.03	4.724	0.954	0.08	1.173	TS
		55.000	29.007	0.76	120.000	24.237	2.03	29.794	
475	472D	2.165	1.142	0.03	4.724	2.125	0.03	2.563	TDO
		55.000	29.007	0.76	120.000	53.975	0.76	65.090	
476	472	2.362	1.142	0.08	4.724	0.954	0.08	1.173	TS
		60.000	29.007	2.03	120.000	24.237	2.03	29.794	
476	472D	2.362	1.142	0.08	4.724	2.125	0.03	2.563	TDO
		60.000	29.007	2.03	120.000	53.975	0.76	65.090	
477	472	2.500	1.142	0.03	4.724	0.954	0.08	1.173	TS
		63.500	29.007	0.76	120.000	24.237	2.03	29.794	
477	472D	2.500	1.142	0.03	4.724	2.125	0.03	2.563	TDO
		63.500	29.007	0.76	120.000	53.975	0.76	65.090	
478	472	2.559	1.142	0.09	4.724	0.954	0.08	1.173	TS
		65.000	29.007	2.29	120.000	24.237	2.03	29.794	
480	472	2.688	1.142	0.14	4.724	0.954	0.08	1.173	TS
		68.262	29.007	3.50	120.000	24.237	2.03	29.794	
480	472D	2.688	1.142	0.14	4.724	2.125	0.03	2.563	TDO
		68.262	29.007	3.50	120.000	53.975	0.76	65.090	
482	472	2.750	1.142	0.14	4.724	0.954	0.08	1.173	TS
		69.850	29.007	3.50	120.000	24.237	2.03	29.794	
482	472A	2.750	1.142	0.14	4.724	0.923	0.13	1.142	TS
		69.850	29.007	3.50	120.000	23.444	3.30	29.002	

Numerical Listing

Part Number		Cone			Cup			Bearing	Brg
Cone	Cup	Bore d	Width B	BF Radius R	OD D	Width C	BF Radius r	Width T / T1	Type
482	472-B	2.750	1.142	0.14	4.724	0.954	0.03	0.437	TSF
		69.850	29.007	3.50	120.000	24.237	0.76	11.095	
482	472D	2.750	1.142	0.14	4.724	2.125	0.03	2.563	TDO
		69.850	29.007	3.50	120.000	53.975	0.76	65.090	
483	472	2.500	1.142	0.14	4.724	0.954	0.08	1.173	TS
		63.500	29.007	3.50	120.000	24.237	2.03	29.794	
483	472D	2.500	1.142	0.14	4.724	2.125	0.03	2.563	TDO
		63.500	29.007	3.50	120.000	53.975	0.76	65.090	
484	472	2.756	1.142	0.08	4.724	0.954	0.08	1.173	TS
		70.000	29.007	2.03	120.000	24.237	2.03	29.794	
484	472-B	2.756	1.142	0.08	4.724	0.954	0.03	0.437	TSF
		70.000	29.007	2.03	120.000	24.237	0.76	11.095	
484	472D	2.756	1.142	0.08	4.724	2.125	0.03	2.563	TDO
		70.000	29.007	2.03	120.000	53.975	0.76	65.090	
495	493	3.250	1.172	0.14	5.375	0.875	0.13	1.188	TS
		82.550	29.769	3.50	136.525	22.225	3.30	30.162	
495	493D	3.250	1.172	0.14	5.375	2.125	0.03	2.750	TDO
		82.550	29.769	3.50	136.525	53.975	0.76	69.850	
495	493DC	3.250	1.172	0.14	5.375	2.125	0.03	2.750	TDO
		82.550	29.769	3.50	136.525	53.975	0.76	69.850	
495A	493	3.000	1.172	0.14	5.375	0.875	0.13	1.188	TS
		76.200	29.769	3.50	136.525	22.225	3.30	30.162	
495A	493D	3.000	1.172	0.14	5.375	2.125	0.03	2.750	TDO
		76.200	29.769	3.50	136.525	53.975	0.76	69.850	
495A	493DC	3.000	1.172	0.14	5.375	2.125	0.03	2.750	TDO
		76.200	29.769	3.50	136.525	53.975	0.76	69.850	
495AX	493	3.000	1.172	0.25	5.375	0.875	0.13	1.188	TS
		76.200	29.769	6.35	136.525	22.225	3.30	30.162	
495AX	493D	3.000	1.172	0.25	5.375	2.125	0.03	2.750	TDO
		76.200	29.769	6.35	136.525	53.975	0.76	69.850	
495AX	493DC	3.000	1.172	0.25	5.375	2.125	0.03	2.750	TDO
		76.200	29.769	6.35	136.525	53.975	0.76	69.850	
495-S	493	2.813	1.172	0.14	5.375	0.875	0.13	1.188	TS
		71.438	29.769	3.50	136.525	22.225	3.30	30.162	
495-S	493D	2.813	1.172	0.14	5.375	2.125	0.03	2.750	TDO
		71.438	29.769	3.50	136.525	53.975	0.76	69.850	
495-S	493DC	2.813	1.172	0.14	5.375	2.125	0.03	2.750	TDO
		71.438	29.769	3.50	136.525	53.975	0.76	69.850	
496	493	3.188	1.172	0.14	5.375	0.875	0.13	1.188	TS
		80.962	29.769	3.50	136.525	22.225	3.30	30.162	
496	493D	3.188	1.172	0.14	5.375	2.125	0.03	2.750	TDO
		80.962	29.769	3.50	136.525	53.975	0.76	69.850	
496	493DC	3.188	1.172	0.14	5.375	2.125	0.03	2.750	TDO
		80.962	29.769	3.50	136.525	53.975	0.76	69.850	

Numerical Listing

Part Number		Cone			Cup			Bearing	Brg
Cone	Cup	Bore d	Width B	BF Radius R	OD D	Width C	BF Radius r	Width T / T1	Type
497	492A	3.375	1.172	0.14	5.250	0.875	0.13	1.188	TS
		85.725	29.769	3.50	133.350	22.225	3.30	30.162	
497	493	3.375	1.172	0.14	5.375	0.875	0.13	1.188	TS
		85.725	29.769	3.50	136.525	22.225	3.30	30.162	
497	493-B	3.375	1.172	0.14	5.375	0.875	0.13	0.531	TSF
		85.725	29.769	3.50	136.525	22.225	3.30	13.475	
497	493D	3.375	1.172	0.14	5.375	2.125	0.03	2.750	TDO
		85.725	29.769	3.50	136.525	53.975	0.76	69.850	
497	493DC	3.375	1.172	0.14	5.375	2.125	0.03	2.750	TDO
		85.725	29.769	3.50	136.525	53.975	0.76	69.850	
497A	493	3.375	1.172	0.25	5.375	0.875	0.13	1.188	TS
		85.725	29.769	6.35	136.525	22.225	3.30	30.162	
497A	493D	3.375	1.172	0.25	5.375	2.125	0.03	2.750	TDO
		85.725	29.769	6.35	136.525	53.975	0.76	69.850	
497A	493DC	3.375	1.172	0.25	5.375	2.125	0.03	2.750	TDO
		85.725	29.769	6.35	136.525	53.975	0.76	69.850	
498	493	3.313	1.172	0.14	5.375	0.875	0.13	1.188	TS
		84.138	29.769	3.50	136.525	22.225	3.30	30.162	
498	493D	3.313	1.172	0.14	5.375	2.125	0.03	2.750	TDO
		84.138	29.769	3.50	136.525	53.975	0.76	69.850	
498	493DC	3.313	1.172	0.14	5.375	2.125	0.03	2.750	TDO
		84.138	29.769	3.50	136.525	53.975	0.76	69.850	
525	522	1.500	1.420	0.14	4.000	1.063	0.13	1.375	TS
		38.100	36.068	3.50	101.600	26.988	3.30	34.925	
526	522	1.625	1.420	0.14	4.000	1.063	0.13	1.375	TS
		41.275	36.068	3.50	101.600	26.988	3.30	34.925	
527	522	1.750	1.420	0.14	4.000	1.063	0.13	1.375	TS
		44.450	36.068	3.50	101.600	26.988	3.30	34.925	
528	522	1.875	1.420	0.14	4.000	1.063	0.13	1.375	TS
		47.625	36.068	3.50	101.600	26.988	3.30	34.925	
529	522	2.000	1.420	0.03	4.000	1.063	0.13	1.375	TS
		50.800	36.068	0.76	101.600	26.988	3.30	34.925	
529X	522	2.000	1.420	0.14	4.000	1.063	0.13	1.375	TS
		50.800	36.068	3.50	101.600	26.988	3.30	34.925	
535	532A	1.750	1.455	0.14	4.375	1.188	0.13	1.500	TS
		44.450	36.957	3.50	111.125	30.162	3.30	38.100	
535	532X	1.750	1.455	0.14	4.250	1.125	0.13	1.438	TS
		44.450	36.957	3.50	107.950	28.575	3.30	36.512	
537	532X	2.000	1.455	0.14	4.250	1.125	0.13	1.438	TS
		50.800	36.957	3.50	107.950	28.575	3.30	36.512	
539	532A	2.125	1.455	0.14	4.375	1.188	0.13	1.500	TS
		53.975	36.957	3.50	111.125	30.162	3.30	38.100	
539	532X	2.125	1.455	0.14	4.250	1.125	0.13	1.438	TS
		53.975	36.957	3.50	107.950	28.575	3.30	36.512	

Numerical Listing

Part Number		Cone			Cup			Bearing	
Cone	Cup	Bore d	Width B	BF Radius R	OD D	Width C	BF Radius r	Width T / T1	Brg Type
539A	532X	2.125	1.455	0.22	4.250	1.125	0.13	1.438	TS
		53.975	36.957	5.50	107.950	28.575	3.30	36.512	
543	532X	1.575	1.455	0.14	4.250	1.125	0.13	1.438	TS
		40.000	36.957	3.50	107.950	28.575	3.30	36.512	
554	552	2.438	1.444	0.14	4.875	1.313	0.13	1.500	TS
		61.912	36.678	3.50	123.825	33.338	3.30	38.100	
554	553X	2.438	1.444	0.14	4.813	1.188	0.13	1.500	TS
		61.912	36.678	3.50	122.238	30.162	3.30	38.100	
555	552A	2.000	1.444	0.09	4.875	1.188	0.13	1.500	TS
		50.800	36.678	2.29	123.825	30.162	3.30	38.100	
555	552D	2.000	1.444	0.09	4.875	2.500	0.06	3.125	TDO
		50.800	36.678	2.29	123.825	63.500	1.52	79.375	
555-S	552A	2.250	1.444	0.14	4.875	1.188	0.13	1.500	TS
		57.150	36.678	3.50	123.825	30.162	3.30	38.100	
555-S	552-B	2.250	1.444	0.14	4.875	1.188	0.13	0.563	TSF
		57.150	36.678	3.50	123.825	30.162	3.30	14.288	
555-S	552D	2.250	1.444	0.14	4.875	2.500	0.06	3.125	TDO
		57.150	36.678	3.50	123.825	63.500	1.52	79.375	
557A	552	2.375	1.444	0.31	4.875	1.313	0.13	1.500	TS
		60.325	36.678	8.00	123.825	33.338	3.30	38.100	
557A	553X	2.375	1.444	0.31	4.813	1.188	0.13	1.500	TS
		60.325	36.678	8.00	122.238	30.162	3.30	38.100	
557-S	552A	2.125	1.444	0.14	4.875	1.188	0.13	1.500	TS
		53.975	36.678	3.50	123.825	30.162	3.30	38.100	
557-S	552D	2.125	1.444	0.14	4.875	2.500	0.06	3.125	TDO
		53.975	36.678	3.50	123.825	63.500	1.52	79.375	
558	552A	2.375	1.444	0.09	4.875	1.188	0.13	1.500	TS
		60.325	36.678	2.29	123.825	30.162	3.30	38.100	
558	552D	2.375	1.444	0.09	4.875	2.500	0.06	3.125	TDO
		60.325	36.678	2.29	123.825	63.500	1.52	79.375	
558A	552	2.375	1.444	0.14	4.875	1.313	0.13	1.500	TS
		60.325	36.678	3.50	123.825	33.338	3.30	38.100	
558A	553X	2.375	1.444	0.14	4.813	1.188	0.13	1.500	TS
		60.325	36.678	3.50	122.238	30.162	3.30	38.100	
559	552A	2.500	1.444	0.14	4.875	1.188	0.13	1.500	TS
		63.500	36.678	3.50	123.825	30.162	3.30	38.100	
559	552D	2.500	1.444	0.14	4.875	2.500	0.06	3.125	TDO
		63.500	36.678	3.50	123.825	63.500	1.52	79.375	
560	552A	2.625	1.444	0.14	4.875	1.188	0.13	1.500	TS
		66.675	36.678	3.50	123.825	30.162	3.30	38.100	
560	552D	2.625	1.444	0.14	4.875	2.500	0.06	3.125	TDO
		66.675	36.678	3.50	123.825	63.500	1.52	79.375	
560-S	552A	2.688	1.444	0.14	4.875	1.188	0.13	1.500	TS
		68.262	36.678	3.50	123.825	30.162	3.30	38.100	

Numerical Listing

Part Number		Cone			Cup			Bearing	Brg
Cone	Cup	Bore d	Width B	BF Radius R	OD D	Width C	BF Radius r	Width T / T1	Type
560-S	552-B	2.688	1.444	0.14	4.875	1.188	0.13	0.563	TSF
		68.262	36.678	3.50	123.825	30.162	3.30	14.288	
560-S	552D	2.688	1.444	0.14	4.875	2.500	0.06	3.125	TDO
		68.262	36.678	3.50	123.825	63.500	1.52	79.375	
565	563	2.500	1.424	0.14	5.000	1.125	0.13	1.438	TS
		63.500	36.170	3.50	127.000	28.575	3.30	36.512	
565	563D	2.500	1.424	0.14	5.000	2.563	0.06	3.188	TDO
		63.500	36.170	3.50	127.000	65.088	1.52	80.962	
566	563	2.750	1.424	0.14	5.000	1.125	0.13	1.438	TS
		69.850	36.170	3.50	127.000	28.575	3.30	36.512	
566	563D	2.750	1.424	0.14	5.000	2.563	0.06	3.188	TDO
		69.850	36.170	3.50	127.000	65.088	1.52	80.962	
567	563	2.875	1.424	0.14	5.000	1.125	0.13	1.438	TS
		73.025	36.170	3.50	127.000	28.575	3.30	36.512	
567	563-B	2.875	1.424	0.14	5.000	1.125	0.13	0.563	TSF
		73.025	36.170	3.50	127.000	28.575	3.30	14.288	
567	563D	2.875	1.424	0.14	5.000	2.563	0.06	3.188	TDO
		73.025	36.170	3.50	127.000	65.088	1.52	80.962	
567A	563	2.813	1.424	0.14	5.000	1.125	0.13	1.438	TS
		71.438	36.170	3.50	127.000	28.575	3.30	36.512	
567A	563D	2.813	1.424	0.14	5.000	2.563	0.06	3.188	TDO
		71.438	36.170	3.50	127.000	65.088	1.52	80.962	
568	563	2.906	1.424	0.03	5.000	1.125	0.13	1.438	TS
		73.817	36.170	0.76	127.000	28.575	3.30	36.512	
568	563-B	2.906	1.424	0.03	5.000	1.125	0.13	0.563	TSF
		73.817	36.170	0.76	127.000	28.575	3.30	14.288	
568	563D	2.906	1.424	0.03	5.000	2.563	0.06	3.188	TDO
		73.817	36.170	0.76	127.000	65.088	1.52	80.962	
570	563	2.688	1.424	0.14	5.000	1.125	0.13	1.438	TS
		68.262	36.170	3.50	127.000	28.575	3.30	36.512	
570	563D	2.688	1.424	0.14	5.000	2.563	0.06	3.188	TDO
		68.262	36.170	3.50	127.000	65.088	1.52	80.962	
575	572	3.000	1.421	0.14	5.512	1.125	0.13	1.438	TS
		76.200	36.098	3.50	139.992	28.575	3.30	36.512	
575	572D	3.000	1.421	0.14	5.512	2.625	0.03	3.250	TDO
		76.200	36.098	3.50	139.992	66.675	0.76	82.550	
575-S	572	3.000	1.421	0.27	5.512	1.125	0.13	1.438	TS
		76.200	36.098	6.80	139.992	28.575	3.30	36.512	
575-S	572D	3.000	1.421	0.27	5.512	2.625	0.03	3.250	TDO
		76.200	36.098	6.80	139.992	66.675	0.76	82.550	
576	572	2.875	1.421	0.14	5.512	1.125	0.13	1.438	TS
		73.025	36.098	3.50	139.992	28.575	3.30	36.512	
576	572D	2.875	1.421	0.14	5.512	2.625	0.03	3.250	TDO
		73.025	36.098	3.50	139.992	66.675	0.76	82.550	

Numerical Listing

Part Number		Cone			Cup			Bearing	Brg
Cone	Cup	Bore d	Width B	BF Radius R	OD D	Width C	BF Radius r	Width T / T1	Type
577	572	2.938	1.421	0.14	5.512	1.125	0.13	1.438	TS
		74.612	36.098	3.50	139.992	28.575	3.30	36.512	
577	572D	2.938	1.421	0.14	5.512	2.625	0.03	3.250	TDO
		74.612	36.098	3.50	139.992	66.675	0.76	82.550	
578	572	3.149	1.421	0.14	5.512	1.125	0.13	1.438	TS
		79.985	36.098	3.50	139.992	28.575	3.30	36.512	
580	572	3.250	1.421	0.14	5.512	1.125	0.13	1.438	TS
		82.550	36.098	3.50	139.992	28.575	3.30	36.512	
580	572-B	3.250	1.421	0.14	5.512	1.125	0.13	0.563	TSF
		82.550	36.098	3.50	139.992	28.575	3.30	14.288	
580	572D	3.250	1.421	0.14	5.512	2.625	0.03	3.250	TDO
		82.550	36.098	3.50	139.992	66.675	0.76	82.550	
581	572	3.188	1.421	0.14	5.512	1.125	0.13	1.438	TS
		80.962	36.098	3.50	139.992	28.575	3.30	36.512	
581	572D	3.188	1.421	0.14	5.512	2.625	0.03	3.250	TDO
		80.962	36.098	3.50	139.992	66.675	0.76	82.550	
582	572	3.250	1.421	0.27	5.512	1.125	0.13	1.438	TS
		82.550	36.098	6.80	139.992	28.575	3.30	36.512	
582	572D	3.250	1.421	0.27	5.512	2.625	0.03	3.250	TDO
		82.550	36.098	6.80	139.992	66.675	0.76	82.550	
590A	592A	3.000	1.430	0.14	6.000	1.188	0.13	1.563	TS
		76.200	36.322	3.50	152.400	30.162	3.30	39.688	
590A	592D	3.000	1.430	0.14	6.000	2.500	0.03	3.250	TDO
		76.200	36.322	3.50	152.400	63.500	0.76	82.550	
593	592A	3.500	1.430	0.14	6.000	1.188	0.13	1.563	TS
		88.900	36.322	3.50	152.400	30.162	3.30	39.688	
593	592D	3.500	1.430	0.14	6.000	2.500	0.03	3.250	TDO
		88.900	36.322	3.50	152.400	63.500	0.76	82.550	
593A	592A	3.500	1.430	0.25	6.000	1.188	0.13	1.563	TS
		88.900	36.322	6.35	152.400	30.162	3.30	39.688	
593A	592D	3.500	1.430	0.25	6.000	2.500	0.03	3.250	TDO
		88.900	36.322	6.35	152.400	63.500	0.76	82.550	
594	592A	3.750	1.430	0.14	6.000	1.188	0.13	1.563	TS
		95.250	36.322	3.50	152.400	30.162	3.30	39.688	
594	592D	3.750	1.430	0.14	6.000	2.500	0.03	3.250	TDO
		95.250	36.322	3.50	152.400	63.500	0.76	82.550	
594A	592A	3.750	1.430	0.20	6.000	1.188	0.13	1.563	TS
		95.250	36.322	5.00	152.400	30.162	3.30	39.688	
594A	592-B	3.750	1.430	0.20	6.000	1.188	0.13	0.625	TSF
		95.250	36.322	5.00	152.400	30.162	3.30	15.875	
594A	592D	3.750	1.430	0.20	6.000	2.500	0.03	3.250	TDO
		95.250	36.322	5.00	152.400	63.500	0.76	82.550	
594A	592XE	3.750	1.430	0.20	5.813	1.031	0.03	1.406	TS
		95.250	36.322	5.00	147.638	26.192	0.76	35.717	

Numerical Listing

Part Number		Cone			Cup			Bearing	
Cone	Cup	Bore d	Width B	BF Radius R	OD D	Width C	BF Radius r	Width T / T1	Brg Type
594A	592XS	3.750	1.430	0.20	5.813	1.031	0.13	1.406	TS
		95.250	36.322	5.00	147.638	26.192	3.30	35.717	
595	592A	3.250	1.430	0.14	6.000	1.188	0.13	1.563	TS
		82.550	36.322	3.50	152.400	30.162	3.30	39.688	
595	592D	3.250	1.430	0.14	6.000	2.500	0.03	3.250	TDO
		82.550	36.322	3.50	152.400	63.500	0.76	82.550	
595A	592	3.125	1.430	0.14	6.000	1.313	0.13	1.563	TS
		79.375	36.322	3.50	152.400	33.338	3.30	39.687	
595A	593X	3.125	1.430	0.14	5.906	1.063	0.12	1.417	TS
		79.375	36.322	3.50	150.000	27.000	3.00	35.992	
596	592A	3.375	1.430	0.14	6.000	1.188	0.13	1.563	TS
		85.725	36.322	3.50	152.400	30.162	3.30	39.688	
596	592D	3.375	1.430	0.14	6.000	2.500	0.03	3.250	TDO
		85.725	36.322	3.50	152.400	63.500	0.76	82.550	
598	592A	3.625	1.430	0.14	6.000	1.188	0.13	1.563	TS
		92.075	36.322	3.50	152.400	30.162	3.30	39.688	
598	592D	3.625	1.430	0.14	6.000	2.500	0.03	3.250	TDO
		92.075	36.322	3.50	152.400	63.500	0.76	82.550	
598A	592A	3.625	1.430	0.25	6.000	1.188	0.13	1.563	TS
		92.075	36.322	6.35	152.400	30.162	3.30	39.688	
598A	592D	3.625	1.430	0.25	6.000	2.500	0.03	3.250	TDO
		92.075	36.322	6.35	152.400	63.500	0.76	82.550	
619	612	2.000	1.625	0.14	4.750	1.250	0.13	1.625	TS
		50.800	41.275	3.50	120.650	31.750	3.30	41.275	
621	612	2.125	1.625	0.14	4.750	1.250	0.13	1.625	TS
		53.975	41.275	3.50	120.650	31.750	3.30	41.275	
621	612-B	2.125	1.625	0.14	4.750	1.250	0.13	0.656	TSF
		53.975	41.275	3.50	120.650	31.750	3.30	16.667	
623	612	2.250	1.625	0.14	4.750	1.250	0.13	1.625	TS
		57.150	41.275	3.50	120.650	31.750	3.30	41.275	
623	612-B	2.250	1.625	0.14	4.750	1.250	0.13	0.656	TSF
		57.150	41.275	3.50	120.650	31.750	3.30	16.667	
624	613-B	2.125	1.625	0.03	4.750	1.375	0.13	0.500	TSF
		53.975	41.275	0.80	120.650	34.925	3.30	12.700	
636	632	2.125	1.625	0.14	5.375	1.250	0.13	1.625	TS
		53.975	41.275	3.50	136.525	31.750	3.30	41.275	
636	632D	2.125	1.625	0.14	5.375	3.000	0.06	3.750	TDO
		53.975	41.275	3.50	136.525	76.200	1.52	95.250	
639	632	2.500	1.625	0.14	5.375	1.250	0.13	1.625	TS
		63.500	41.275	3.50	136.525	31.750	3.30	41.275	
639	632D	2.500	1.625	0.14	5.375	3.000	0.06	3.750	TDO
		63.500	41.275	3.50	136.525	76.200	1.52	95.250	
641	632	2.625	1.625	0.14	5.375	1.250	0.13	1.625	TS
		66.675	41.275	3.50	136.525	31.750	3.30	41.275	

Numerical Listing

Part Number		Cone			Cup			Bearing	Brg
Cone	Cup	Bore d	Width B	BF Radius R	OD D	Width C	BF Radius r	Width T / T1	Type
641	632-B	2.625	1.625	0.14	5.375	1.250	0.13	0.656	TSF
		66.675	41.275	3.50	136.525	31.750	3.30	16.662	
641	632D	2.625	1.625	0.14	5.375	3.000	0.06	3.750	TDO
		66.675	41.275	3.50	136.525	76.200	1.52	95.250	
641	633	2.625	1.625	0.14	5.125	1.250	0.13	1.625	TS
		66.675	41.275	3.50	130.175	31.750	3.30	41.275	
643	632	2.750	1.625	0.14	5.375	1.250	0.13	1.625	TS
		69.850	41.275	3.50	136.525	31.750	3.30	41.275	
643	632D	2.750	1.625	0.14	5.375	3.000	0.06	3.750	TDO
		69.850	41.275	3.50	136.525	76.200	1.52	95.250	
644	632	2.813	1.625	0.14	5.375	1.250	0.13	1.625	TS
		71.438	41.275	3.50	136.525	31.750	3.30	41.275	
644	632-B	2.813	1.625	0.14	5.375	1.250	0.13	0.656	TSF
		71.438	41.275	3.50	136.525	31.750	3.30	16.662	
644	632D	2.813	1.625	0.14	5.375	3.000	0.06	3.750	TDO
		71.438	41.275	3.50	136.525	76.200	1.52	95.250	
645	633	2.813	1.625	0.25	5.125	1.250	0.13	1.625	TS
		71.438	41.275	6.35	130.175	31.750	3.30	41.275	
655	653	2.750	1.625	0.14	5.750	1.250	0.13	1.625	TS
		69.850	41.275	3.50	146.050	31.750	3.30	41.275	
657	653	2.875	1.625	0.14	5.750	1.250	0.13	1.625	TS
		73.025	41.275	3.50	146.050	31.750	3.30	41.275	
659	653	3.000	1.625	0.14	5.750	1.250	0.13	1.625	TS
		76.200	41.275	3.50	146.050	31.750	3.30	41.275	
661	653	3.125	1.625	0.14	5.750	1.250	0.13	1.625	TS
		79.375	41.275	3.50	146.050	31.750	3.30	41.275	
663	652	3.250	1.625	0.14	6.000	1.250	0.13	1.625	TS
		82.550	41.275	3.50	152.400	31.750	3.30	41.275	
663	652-B	3.250	1.625	0.14	6.000	1.250	0.13	0.656	TSF
		82.550	41.275	3.50	152.400	31.750	3.30	16.667	
663	653	3.250	1.625	0.14	5.750	1.250	0.13	1.625	TS
		82.550	41.275	3.50	146.050	31.750	3.30	41.275	
663A	652	3.250	1.625	0.27	6.000	1.250	0.13	1.625	TS
		82.550	41.275	6.80	152.400	31.750	3.30	41.275	
663A	652A	3.250	1.625	0.27	5.875	1.250	0.13	1.625	TS
		82.550	41.275	6.80	149.225	31.750	3.30	41.275	
663A	653	3.250	1.625	0.27	5.750	1.250	0.13	1.625	TS
		82.550	41.275	6.80	146.050	31.750	3.30	41.275	
663A	653X	3.250	1.625	0.27	5.906	1.250	0.12	1.625	TS
		82.550	41.275	6.80	150.000	31.750	3.00	41.275	
665	652-B	3.375	1.625	0.14	6.000	1.250	0.13	0.656	TSF
		85.725	41.275	3.50	152.400	31.750	3.30	16.667	
665	653	3.375	1.625	0.14	5.750	1.250	0.13	1.625	TS
		85.725	41.275	3.50	146.050	31.750	3.30	41.275	

Numerical Listing

Part Number		Cone			Cup			Bearing	
Cone	Cup	Bore d	Width B	BF Radius R	OD D	Width C	BF Radius r	Width T / T1	Brg Type
665A	653	3.375	1.625	0.25	5.750	1.250	0.13	1.625	TS
		85.725	41.275	6.35	146.050	31.750	3.30	41.275	
677	672	3.375	1.625	0.14	6.625	1.188	0.13	1.625	TS
		85.725	41.275	3.50	168.275	30.162	3.30	41.275	
677	672D	3.375	1.625	0.14	6.625	2.750	0.03	3.625	TDO
		85.725	41.275	3.50	168.275	69.850	0.76	92.075	
679	672	3.500	1.625	0.14	6.625	1.188	0.13	1.625	TS
		88.900	41.275	3.50	168.275	30.162	3.30	41.275	
679	672D	3.500	1.625	0.14	6.625	2.750	0.03	3.625	TDO
		88.900	41.275	3.50	168.275	69.850	0.76	92.075	
681	672	3.625	1.625	0.14	6.625	1.188	0.13	1.625	TS
		92.075	41.275	3.50	168.275	30.162	3.30	41.275	
681	672-B	3.625	1.625	0.14	6.625	1.188	0.13	0.719	TSF
		92.075	41.275	3.50	168.275	30.162	3.30	18.255	
681	672D	3.625	1.625	0.14	6.625	2.750	0.03	3.625	TDO
		92.075	41.275	3.50	168.275	69.850	0.76	92.075	
681A	672	3.625	1.625	0.25	6.625	1.188	0.13	1.625	TS
		92.075	41.275	6.35	168.275	30.162	3.30	41.275	
681A	672-B	3.625	1.625	0.25	6.625	1.188	0.13	0.719	TSF
		92.075	41.275	6.40	168.275	30.162	3.30	18.255	
681A	672D	3.625	1.625	0.25	6.625	2.750	0.03	3.625	TDO
		92.075	41.275	6.35	168.275	69.850	0.76	92.075	
681W	672-B	3.625	1.625	0.14	6.625	1.188	0.13	0.719	TSF
		92.075	41.275	3.50	168.275	30.162	3.30	18.255	
682	672-B	3.739	1.625	0.14	6.625	1.188	0.13	0.719	TSF
		94.975	41.275	3.50	168.275	30.162	3.30	18.255	
683	672	3.750	1.625	0.14	6.625	1.188	0.13	1.625	TS
		95.250	41.275	3.50	168.275	30.162	3.30	41.275	
683	672-B	3.750	1.625	0.14	6.625	1.188	0.13	0.719	TSF
		95.250	41.275	3.50	168.275	30.162	3.30	18.255	
683	672D	3.750	1.625	0.14	6.625	2.750	0.03	3.625	TDO
		95.250	41.275	3.50	168.275	69.850	0.76	92.075	
683WA	672-B	3.750	1.625	0.14	6.625	1.188	0.13	0.719	TSF
		95.250	41.275	3.50	168.275	30.162	3.30	18.255	
683X	672-B	3.740	1.625	0.14	6.625	1.188	0.13	0.719	TSF
		95.000	41.275	3.50	168.275	30.162	3.30	18.255	
683XA	672	3.750	1.625	0.20	6.625	1.188	0.13	1.625	TS
		95.250	41.275	5.00	168.275	30.162	3.30	41.275	
683XA	672-B	3.750	1.625	0.20	6.625	1.188	0.13	0.719	TSF
		95.250	41.275	5.00	168.275	30.162	3.30	18.255	
683XA	672D	3.750	1.625	0.20	6.625	2.750	0.03	3.625	TDO
		95.250	41.275	5.00	168.275	69.850	0.76	92.075	
685	672	3.875	1.625	0.14	6.625	1.188	0.13	1.625	TS
		98.425	41.275	3.50	168.275	30.162	3.30	41.275	

Numerical Listing

Part Number		Cone			Cup			Bearing	
Cone	Cup	Bore d	Width B	BF Radius R	OD D	Width C	BF Radius r	Width T / T1	Brg Type
685	672D	3.875	1.625	0.14	6.625	2.750	0.03	3.625	TDO
		98.425	41.275	3.50	168.275	69.850	0.76	92.075	
687	672	4.000	1.625	0.14	6.625	1.188	0.13	1.625	TS
		101.600	41.275	3.50	168.275	30.162	3.30	41.275	
687	672-B	4.000	1.625	0.14	6.625	1.188	0.13	0.719	TSF
		101.600	41.275	3.50	168.275	30.162	3.30	18.255	
687	672D	4.000	1.625	0.14	6.625	2.750	0.03	3.625	TDO
		101.600	41.275	3.50	168.275	69.850	0.76	92.075	
740	742	3.188	1.838	0.20	5.909	1.438	0.13	1.750	TS
		80.962	46.672	5.00	150.089	36.512	3.30	44.450	
740	742D	3.188	1.838	0.20	6.125	3.375	0.06	4.000	TDO
		80.962	46.672	5.00	155.575	85.725	1.52	101.600	
744	742	2.875	1.838	0.14	5.909	1.438	0.13	1.750	TS
		73.025	46.672	3.50	150.089	36.512	3.30	44.450	
744	742D	2.875	1.838	0.14	6.125	3.375	0.06	4.000	TDO
		73.025	46.672	3.50	155.575	85.725	1.52	101.600	
745A	742	2.750	1.838	0.14	5.909	1.438	0.13	1.750	TS
		69.850	46.672	3.50	150.089	36.512	3.30	44.450	
745A	742D	2.750	1.838	0.14	6.125	3.375	0.06	4.000	TDO
		69.850	46.672	3.50	155.575	85.725	1.52	101.600	
748-S	742	3.000	1.838	0.14	5.909	1.438	0.13	1.750	TS
		76.200	46.672	3.50	150.089	36.512	3.30	44.450	
748-S	742D	3.000	1.838	0.14	6.125	3.375	0.06	4.000	TDO
		76.200	46.672	3.50	155.575	85.725	1.52	101.600	
749	742	3.348	1.838	0.14	5.909	1.438	0.13	1.750	TS
		85.026	46.672	3.50	150.089	36.512	3.30	44.450	
749	742-B	3.348	1.838	0.14	5.909	1.438	0.13	0.625	TSF
		85.026	46.672	3.50	150.089	36.512	3.30	15.875	
749	742D	3.348	1.838	0.14	6.125	3.375	0.06	4.000	TDO
		85.026	46.672	3.50	155.575	85.725	1.52	101.600	
749A	742	3.250	1.838	0.14	5.909	1.438	0.13	1.750	TS
		82.550	46.672	3.50	150.089	36.512	3.30	44.450	
749A	742D	3.250	1.838	0.14	6.125	3.375	0.06	4.000	TDO
		82.550	46.672	3.50	155.575	85.725	1.52	101.600	
749-S	742	3.348	1.838	0.20	5.909	1.438	0.13	1.750	TS
		85.026	46.672	5.00	150.089	36.512	3.30	44.450	
749-S	742D	3.348	1.838	0.20	6.125	3.375	0.06	4.000	TDO
		85.026	46.672	5.00	155.575	85.725	1.52	101.600	
750A	742	3.250	1.838	0.26	5.909	1.438	0.13	1.750	TS
		82.550	46.672	6.50	150.089	36.512	3.30	44.450	
750A	742D	3.250	1.838	0.26	6.125	3.375	0.06	4.000	TDO
		82.550	46.672	6.50	155.575	85.725	1.52	101.600	
755	752	3.000	1.900	0.14	6.375	1.500	0.13	1.875	TS
		76.200	48.260	3.50	161.925	38.100	3.30	47.625	

Numerical Listing

Part Number		Cone			Cup			Bearing	Brg
Cone	Cup	Bore d	Width B	BF Radius R	OD D	Width C	BF Radius r	Width T / T1	Type
755	752-B	3.000	1.900	0.14	6.375	1.500	0.13	0.687	TSF
		76.200	48.260	3.50	161.925	38.100	3.30	17.450	
755	752D	3.000	1.900	0.14	6.375	3.375	0.06	4.125	TDO
		76.200	48.260	3.50	161.925	85.725	1.52	104.775	
755	752DC	3.000	1.900	0.14	6.375	3.375	0.06	4.125	TDO
		76.200	48.260	3.50	161.925	85.725	1.52	104.775	
755W	752-B	3.000	1.900	0.14	6.375	1.500	0.13	0.687	TSF
		76.200	48.260	3.50	161.925	38.100	3.30	17.450	
756	752-B	3.250	1.900	0.44	6.375	1.500	0.13	0.687	TSF
		82.550	48.260	11.20	161.925	38.100	3.30	17.450	
756A	752	3.125	1.900	0.31	6.375	1.500	0.13	1.875	TS
		79.375	48.260	8.00	161.925	38.100	3.30	47.625	
756A	752-B	3.125	1.900	0.31	6.375	1.500	0.13	0.687	TSF
		79.375	48.260	8.00	161.925	38.100	3.30	17.450	
756A	752D	3.125	1.900	0.31	6.375	3.375	0.06	4.125	TDO
		79.375	48.260	8.00	161.925	85.725	1.52	104.775	
756A	752DC	3.125	1.900	0.31	6.375	3.375	0.06	4.125	TDO
		79.375	48.260	8.00	161.925	85.725	1.52	104.775	
757	752	3.250	1.900	0.14	6.375	1.500	0.13	1.875	TS
		82.550	48.260	3.50	161.925	38.100	3.30	47.625	
757	752-B	3.250	1.900	0.14	6.375	1.500	0.13	0.687	TSF
		82.550	48.260	3.50	161.925	38.100	3.30	17.450	
757	752D	3.250	1.900	0.14	6.375	3.375	0.06	4.125	TDO
		82.550	48.260	3.50	161.925	85.725	1.52	104.775	
757	752DC	3.250	1.900	0.14	6.375	3.375	0.06	4.125	TDO
		82.550	48.260	3.50	161.925	85.725	1.52	104.775	
757W	752-B	3.250	1.900	0.14	6.375	1.500	0.13	0.687	TSF
		82.550	48.260	3.50	161.925	38.100	3.30	17.450	
758	752	3.375	1.900	0.14	6.375	1.500	0.13	1.875	TS
		85.725	48.260	3.50	161.925	38.100	3.30	47.625	
758	752-B	3.375	1.900	0.14	6.375	1.500	0.13	0.687	TSF
		85.725	48.260	3.50	161.925	38.100	3.30	17.450	
758	752D	3.375	1.900	0.14	6.375	3.375	0.06	4.125	TDO
		85.725	48.260	3.50	161.925	85.725	1.52	104.775	
758	752DC	3.375	1.900	0.14	6.375	3.375	0.06	4.125	TDO
		85.725	48.260	3.50	161.925	85.725	1.52	104.775	
758W	752-B	3.375	1.900	0.14	6.375	1.500	0.13	0.687	TSF
		85.725	48.260	3.50	161.925	38.100	3.30	17.450	
759	752	3.500	1.900	0.14	6.375	1.500	0.13	1.875	TS
		88.900	48.260	3.50	161.925	38.100	3.30	47.625	
759	752-B	3.500	1.900	0.14	6.375	1.500	0.13	0.688	TSF
		88.900	48.260	3.50	161.925	38.100	3.30	17.462	
759	752D	3.500	1.900	0.14	6.375	3.375	0.06	4.125	TDO
		88.900	48.260	3.50	161.925	85.725	1.52	104.775	

Numerical Listing

Part Number		Cone			Cup			Bearing	
		Bore	Width	BF Radius	OD	Width	BF Radius	Width	Brg
Cone	Cup	d	B	R	D	C	r	T / T1	Type
759	752DC	3.500	1.900	0.14	6.375	3.375	0.06	4.125	TDO
		88.900	48.260	3.50	161.925	85.725	1.52	104.775	
760	752	3.563	1.900	0.14	6.375	1.500	0.13	1.875	TS
		90.488	48.260	3.50	161.925	38.100	3.30	47.625	
760	752-B	3.563	1.900	0.14	6.375	1.500	0.13	0.687	TSF
		90.488	48.260	3.50	161.925	38.100	3.30	17.450	
760	752D	3.563	1.900	0.14	6.375	3.375	0.06	4.125	TDO
		90.488	48.260	3.50	161.925	85.725	1.52	104.775	
760	752DC	3.563	1.900	0.14	6.375	3.375	0.06	4.125	TDO
		90.488	48.260	3.50	161.925	85.725	1.52	104.775	
761W	752-B	3.500	1.900	0.14	6.375	1.500	0.13	0.687	TSF
		88.900	48.260	3.50	161.925	38.100	3.30	17.450	
762	752	2.875	1.900	0.14	6.375	1.500	0.13	1.875	TS
		73.025	48.260	3.50	161.925	38.100	3.30	47.625	
762	752-B	2.875	1.900	0.14	6.375	1.500	0.13	0.687	TSF
		73.025	48.260	3.50	161.925	38.100	3.30	17.450	
762	752D	2.875	1.900	0.14	6.375	3.375	0.06	4.125	TDO
		73.025	48.260	3.50	161.925	85.725	1.52	104.775	
762	752DC	2.875	1.900	0.14	6.375	3.375	0.06	4.125	TDO
		73.025	48.260	3.50	161.925	85.725	1.52	104.775	
762X	752-B	3.347	1.909	0.12	6.375	1.500	0.13	0.702	TSF
		85.000	48.489	3.00	161.925	38.100	3.30	17.831	
766	752	3.500	1.900	0.28	6.375	1.500	0.13	1.875	TS
		88.900	48.260	7.00	161.925	38.100	3.30	47.625	
766	752-B	3.500	1.900	0.28	6.375	1.500	0.13	0.687	TSF
		88.900	48.260	7.00	161.925	38.100	3.30	17.450	
766	752D	3.500	1.900	0.28	6.375	3.375	0.06	4.125	TDO
		88.900	48.260	7.00	161.925	85.725	1.52	104.775	
766	752DC	3.500	1.900	0.28	6.375	3.375	0.06	4.125	TDO
		88.900	48.260	7.00	161.925	85.725	1.52	104.775	
776	772	3.750	1.890	0.14	7.125	1.500	0.13	1.875	TS
		95.250	48.006	3.50	180.975	38.100	3.30	47.625	
778	772	3.625	1.890	0.14	7.125	1.500	0.13	1.875	TS
		92.075	48.006	3.50	180.975	38.100	3.30	47.625	
778	774D	3.625	1.890	0.14	7.125	3.375	0.06	4.125	TDO
		92.075	48.006	3.50	180.975	85.725	1.52	104.775	
780	772	4.000	1.890	0.14	7.125	1.500	0.13	1.875	TS
		101.600	48.006	3.50	180.975	38.100	3.30	47.625	
780	774D	4.000	1.890	0.14	7.125	3.375	0.06	4.125	TDO
		101.600	48.006	3.50	180.975	85.725	1.52	104.775	
782	772	4.125	1.890	0.14	7.125	1.500	0.13	1.875	TS
		104.775	48.006	3.50	180.975	38.100	3.30	47.625	
782	772-B	4.125	1.890	0.14	7.125	1.500	0.13	0.688	TSF
		104.775	48.006	3.50	180.975	38.100	3.30	17.462	

Numerical Listing

Part Number	Cone	Cone			OD	Cup		Bearing Width	Brg Type
		Bore	Width	BF Radius		Width	BF Radius		
	Cup	d	B	R	D	C	r	T / T1	
782	774D	4.125	1.890	0.14	7.125	3.375	0.06	4.125	TDO
		104.775	48.006	3.50	180.975	85.725	1.52	104.775	
786	772	4.125	1.890	0.25	7.125	1.500	0.13	1.875	TS
		104.775	48.006	6.35	180.975	38.100	3.30	47.625	
786	774D	4.125	1.890	0.25	7.125	3.375	0.06	4.125	TDO
		104.775	48.006	6.35	180.975	85.725	1.52	104.775	
787	772	4.125	1.890	0.28	7.125	1.500	0.13	1.875	TS
		104.775	48.006	7.00	180.975	38.100	3.30	47.625	
787	774D	4.125	1.890	0.28	7.125	3.375	0.06	4.125	TDO
		104.775	48.006	7.00	180.975	85.725	1.52	104.775	
795	792	4.750	1.875	0.13	8.125	1.375	0.13	1.875	TS
		120.650	47.625	3.30	206.375	34.925	3.30	47.625	
795	792-B	4.750	1.875	0.13	8.125	1.375	0.13	0.813	TSF
		120.650	47.625	3.30	206.375	34.925	3.30	20.638	
795	792CD	4.750	1.875	0.13	8.125	3.250	0.03	4.250	TDO
		120.650	47.625	3.30	206.375	82.550	0.76	107.950	
797	792	5.118	1.875	0.14	8.125	1.375	0.13	1.875	TS
		130.000	47.625	3.50	206.375	34.925	3.30	47.625	
797	792CD	5.118	1.875	0.14	8.125	3.250	0.03	4.250	TDO
		130.000	47.625	3.50	206.375	82.550	0.76	107.950	
799	792	5.063	1.875	0.13	8.125	1.375	0.13	1.875	TS
		128.588	47.625	3.30	206.375	34.925	3.30	47.625	
799	792CD	5.063	1.875	0.13	8.125	3.250	0.03	4.250	TDO
		128.588	47.625	3.30	206.375	82.550	0.76	107.950	
799A	792CD	5.125	1.875	0.14	8.125	3.250	0.03	4.250	TDO
		130.175	47.625	3.50	206.375	82.550	0.76	107.950	
835	832	2.750	2.219	0.14	6.625	1.625	0.13	2.125	TS
		69.850	56.363	3.50	168.275	41.275	3.30	53.975	
841	832	3.375	2.219	0.14	6.625	1.625	0.13	2.125	TS
		85.725	56.363	3.50	168.275	41.275	3.30	53.975	
841	832-B	3.375	2.219	0.14	6.625	1.625	0.13	0.875	TSF
		85.725	56.363	3.50	168.275	41.275	3.30	22.225	
842	832	3.250	2.219	0.14	6.625	1.625	0.13	2.125	TS
		82.550	56.363	3.50	168.275	41.275	3.30	53.975	
850	832	3.500	2.219	0.14	6.625	1.625	0.13	2.125	TS
		88.900	56.363	3.50	168.275	41.275	3.30	53.975	
850	832-B	3.500	2.219	0.14	6.625	1.625	0.13	0.875	TSF
		88.900	56.363	3.50	168.275	41.275	3.30	22.225	
855	854	3.500	2.265	0.31	7.500	1.750	0.13	2.250	TS
		88.900	57.531	8.00	190.500	44.450	3.30	57.150	
857	854	3.625	2.265	0.31	7.500	1.750	0.13	2.250	TS
		92.075	57.531	8.00	190.500	44.450	3.30	57.150	
861	854	4.000	2.265	0.31	7.500	1.750	0.13	2.250	TS
		101.600	57.531	8.00	190.500	44.450	3.30	57.150	

bearing
specification:
001011011110111001110101
001011011110111001110101



Numerical Listing

Part Number		Cone			Cup			Bearing	
		Bore	Width	BF Radius	OD	Width	BF Radius	Width	Brg
Cone	Cup	d	B	R	D	C	r	T / T1	Type
861	854-B	4.000	2.265	0.31	7.500	1.750	0.13	0.875	TSF
		101.600	57.531	8.00	190.500	44.450	3.30	22.225	
864	854	3.750	2.265	0.31	7.500	1.750	0.13	2.250	TS
		95.250	57.531	8.00	190.500	44.450	3.30	57.150	
896	892	5.375	2.250	0.14	9.000	1.750	0.13	2.250	TS
		136.525	57.150	3.50	228.600	44.450	3.30	57.150	
896	892-B	5.375	2.250	0.14	9.000	1.750	0.13	0.875	TSF
		136.525	57.150	3.50	228.600	44.450	3.30	22.225	
896	892CD	5.375	2.250	0.14	9.000	3.875	0.06	4.875	TDO
		136.525	57.150	3.50	228.600	98.425	1.52	123.825	
898	892	5.500	2.250	0.14	9.000	1.750	0.13	2.250	TS
		139.700	57.150	3.50	228.600	44.450	3.30	57.150	
898	892-B	5.500	2.250	0.14	9.000	1.750	0.13	0.875	TSF
		139.700	57.150	3.50	228.600	44.450	3.30	22.225	
898	892CD	5.500	2.250	0.14	9.000	3.875	0.06	4.875	TDO
		139.700	57.150	3.50	228.600	98.425	1.52	123.825	
898A	892	5.500	2.250	0.25	9.000	1.750	0.13	2.250	TS
		139.700	57.150	6.35	228.600	44.450	3.30	57.150	
898A	892CD	5.500	2.250	0.25	9.000	3.875	0.06	4.875	TDO
		139.700	57.150	6.35	228.600	98.425	1.52	123.825	
899	892-B	5.500	2.313	0.14	9.000	1.750	0.13	0.875	TSF
		139.700	58.738	3.50	228.600	44.450	3.30	22.225	
936	932	4.250	2.625	0.31	8.375	2.125	0.13	2.625	TS
		107.950	66.675	8.00	212.725	53.975	3.30	66.675	
936	932CD	4.250	2.625	0.31	8.375	4.625	0.06	5.625	TDO
		107.950	66.675	8.00	212.725	117.475	1.52	142.875	
938	932	4.500	2.625	0.28	8.375	2.125	0.13	2.625	TS
		114.300	66.675	7.00	212.725	53.975	3.30	66.675	
938	932-B	4.500	2.625	0.28	8.375	2.125	0.13	0.938	TSF
		114.300	66.675	7.00	212.725	53.975	3.30	23.812	
938	932CD	4.500	2.625	0.28	8.375	4.625	0.06	5.625	TDO
		114.300	66.675	7.00	212.725	117.475	1.52	142.875	
941	932	4.000	2.625	0.28	8.375	2.125	0.13	2.625	TS
		101.600	66.675	7.00	212.725	53.975	3.30	66.675	
941	932-B	4.000	2.625	0.28	8.375	2.125	0.13	0.938	TSF
		101.600	66.675	7.00	212.725	53.975	3.30	23.812	
941	932CD	4.000	2.625	0.28	8.375	4.625	0.06	5.625	TDO
		101.600	66.675	7.00	212.725	117.475	1.52	142.875	
1280	1220	0.875	0.875	0.03	2.250	0.688	0.06	0.875	TS
		22.225	22.225	0.76	57.150	17.462	1.52	22.225	
1380	1328	0.875	0.794	0.06	2.063	0.563	0.06	0.763	TS
		22.225	20.168	1.52	52.388	14.288	1.52	19.368	
1380	1328-B	0.875	0.794	0.06	2.063	0.563	0.06	0.356	TSF
		22.225	20.168	1.52	52.388	14.288	1.52	9.042	

Numerical Listing

Part Number		Cone			Cup			Bearing	
Cone	Cup	Bore d	Width B	BF Radius R	OD D	Width C	BF Radius r	Width T / T1	Brg Type
1380	1329	0.875	0.794	0.06	2.125	0.563	0.06	0.763	TS
		22.225	20.168	1.52	53.975	14.288	1.52	19.368	
1751	1729X	0.938	0.956	0.03	2.240	0.625	0.06	0.938	TS
		23.812	24.282	0.80	56.896	15.875	1.50	23.812	
1755	1729	0.875	0.781	0.05	2.240	0.625	0.05	0.763	TS
		22.225	19.837	1.27	56.896	15.875	1.27	19.368	
1755	1729X	0.875	0.781	0.05	2.240	0.625	0.06	0.763	TS
		22.225	19.837	1.30	56.896	15.875	1.50	19.368	
1774	1729X	0.748	0.781	0.06	2.240	0.625	0.06	0.763	TS
		19.004	19.837	1.50	56.896	15.875	1.50	19.368	
1775	1729	0.750	0.781	0.06	2.240	0.625	0.05	0.763	TS
		19.050	19.837	1.52	56.896	15.875	1.27	19.368	
1775	1729X	0.750	0.781	0.06	2.240	0.625	0.06	0.763	TS
		19.050	19.837	1.50	56.896	15.875	1.50	19.368	
1778	1729X	0.812	0.781	0.03	2.240	0.625	0.06	0.763	TS
		20.627	19.837	0.80	56.896	15.875	1.50	19.368	
1779	1729	0.938	0.781	0.03	2.240	0.625	0.05	0.763	TS
		23.812	19.837	0.76	56.896	15.875	1.27	19.368	
1779	1729X	0.938	0.781	0.03	2.240	0.625	0.06	0.763	TS
		23.812	19.837	0.80	56.896	15.875	1.50	19.368	
1780	1729	1.000	0.781	0.03	2.240	0.625	0.05	0.763	TS
		25.400	19.837	0.76	56.896	15.875	1.27	19.368	
1780	1729X	1.000	0.781	0.03	2.240	0.625	0.06	0.763	TS
		25.400	19.837	0.80	56.896	15.875	1.50	19.368	
1784A	1729X	0.843	0.781	0.06	2.240	0.625	0.06	0.763	TS
		21.422	19.837	1.50	56.896	15.875	1.50	19.368	
1975	1932	0.875	0.762	0.03	2.313	0.594	0.05	0.750	TS
		22.225	19.355	0.76	58.738	15.080	1.27	19.050	
1985	1930	1.125	0.762	0.03	2.240	0.625	0.03	0.781	TS
		28.575	19.355	0.76	56.896	15.875	0.76	19.845	
1985	1931	1.125	0.762	0.03	2.375	0.625	0.05	0.781	TS
		28.575	19.355	0.76	60.325	15.875	1.27	19.845	
1985	1931-B	1.125	0.762	0.03	2.375	0.625	0.03	0.313	TSF
		28.575	19.355	0.76	60.325	15.875	0.76	7.938	
1985	1932	1.125	0.762	0.03	2.313	0.594	0.05	0.750	TS
		28.575	19.355	0.76	58.738	15.080	1.27	19.050	
1986	1922	1.000	0.762	0.05	2.250	0.625	0.06	0.781	TS
		25.400	19.355	1.27	57.150	15.875	1.52	19.845	
1986	1932	1.000	0.762	0.05	2.313	0.594	0.05	0.750	TS
		25.400	19.355	1.27	58.738	15.080	1.27	19.050	
1987	1932	1.062	0.762	0.03	2.313	0.594	0.05	0.750	TS
		26.975	19.355	0.76	58.738	15.080	1.27	19.050	
1988	1932	1.125	0.762	0.14	2.313	0.594	0.05	0.750	TS
		28.575	19.355	3.50	58.738	15.080	1.27	19.050	

Numerical Listing

Part Number		Cone			Cup			Bearing	Brg
Cone	Cup	Bore d	Width B	BF Radius R	OD D	Width C	BF Radius r	Width T / T1	Type
A2037	A2120D	0.375	0.425	0.05	1.200	0.837	SPCL	1.000	TDO
		9.525	10.785	1.27	30.480	21.260		25.400	
A2037	A2126	0.375	0.425	0.05	1.260	0.313	0.05	0.394	TS
		9.525	10.785	1.27	31.991	7.938	1.27	10.008	
A2047	A2120D	0.472	0.425	0.03	1.200	0.837	SPCL	1.000	TDO
		11.987	10.785	0.76	30.480	21.260		25.400	
A2047	A2126	0.472	0.425	0.03	1.260	0.313	0.05	0.394	TS
		11.987	10.785	0.76	31.991	7.938	1.27	10.008	
A2047	A2126-B	0.472	0.425	0.03	1.260	0.313	0.05	0.176	TSF
		11.987	10.785	0.76	31.991	7.938	1.27	4.458	
2473	2420	1.000	0.938	0.03	2.688	0.688	0.06	0.875	TS
		25.400	23.812	0.80	68.262	17.462	1.50	22.225	
2473X	2420	1.000	0.938	0.09	2.688	0.688	0.06	0.875	TS
		25.400	23.812	2.30	68.262	17.462	1.50	22.225	
2474	2420	1.125	0.938	0.03	2.688	0.688	0.06	0.875	TS
		28.575	23.812	0.80	68.262	17.462	1.50	22.225	
2475	2420	1.250	0.938	0.14	2.688	0.688	0.06	0.875	TS
		31.750	23.812	3.50	68.262	17.462	1.50	22.225	
2558	2523	1.188	0.998	0.09	2.750	0.750	0.05	0.938	TS
		30.163	25.357	2.29	69.850	19.050	1.27	23.812	
2558	2523D	1.188	0.998	0.09	2.750	2.250	0.03	2.625	TDO
		30.163	25.357	2.29	69.850	57.150	0.76	66.675	
2578	2523	1.125	0.998	0.09	2.750	0.750	0.05	0.938	TS
		28.575	25.357	2.29	69.850	19.050	1.27	23.812	
2578	2523D	1.125	0.998	0.09	2.750	2.250	0.03	2.625	TDO
		28.575	25.357	2.29	69.850	57.150	0.76	66.675	
2580	2520	1.250	0.998	0.03	2.615	0.813	0.13	1.000	TS
		31.750	25.357	0.76	66.421	20.638	3.30	25.400	
2580	2523	1.250	0.998	0.03	2.750	0.750	0.05	0.938	TS
		31.750	25.357	0.76	69.850	19.050	1.27	23.812	
2580	2523-B	1.250	0.998	0.03	2.750	0.750	0.06	0.344	TSF
		31.750	25.357	0.76	69.850	19.050	1.52	8.733	
2580	2523D	1.250	0.998	0.03	2.750	2.250	0.03	2.625	TDO
		31.750	25.357	0.76	69.850	57.150	0.76	66.675	
2580	2523-S	1.250	0.998	0.03	2.750	0.750	0.06	0.938	TS
		31.750	25.357	0.76	69.850	19.050	1.52	23.812	
2581	2523	1.313	0.998	0.03	2.750	0.750	0.05	0.938	TS
		33.338	25.357	0.76	69.850	19.050	1.27	23.812	
2581	2523D	1.313	0.998	0.03	2.750	2.250	0.03	2.625	TDO
		33.338	25.357	0.76	69.850	57.150	0.76	66.675	
2582	2520	1.250	0.998	0.14	2.615	0.813	0.13	1.000	TS
		31.750	25.357	3.50	66.421	20.638	3.30	25.400	
2582	2523D	1.250	0.998	0.14	2.750	2.250	0.03	2.625	TDO
		31.750	25.357	3.50	69.850	57.150	0.76	66.675	

Numerical Listing

Part Number		Cone			Cup			Bearing	
Cone	Cup	Bore d	Width B	BF Radius R	OD D	Width C	BF Radius r	Width T / T1	Brg Type
2585	2523	1.313	0.998	0.14	2.750	0.750	0.05	0.938	TS
		33.338	25.357	3.50	69.850	19.050	1.27	23.812	
2585	2523-B	1.313	0.998	0.14	2.750	0.750	0.06	0.344	TSF
		33.338	25.357	3.50	69.850	19.050	1.52	8.733	
2585	2523D	1.313	0.998	0.14	2.750	2.250	0.03	2.625	TDO
		33.338	25.357	3.50	69.850	57.150	0.76	66.675	
2681	2620	1.071	1.001	0.01	2.484	0.750	0.13	0.938	TS
		27.201	25.433	0.30	63.100	19.050	3.30	23.812	
2682	2620	1.030	1.001	0.06	2.484	0.750	0.13	0.938	TS
		26.162	25.433	1.50	63.100	19.050	3.30	23.812	
2683	2620	0.938	1.001	0.03	2.484	0.750	0.13	0.938	TS
		23.812	25.433	0.80	63.100	19.050	3.30	23.812	
2684	2620	0.875	1.001	0.06	2.484	0.750	0.13	0.938	TS
		22.225	25.433	1.50	63.100	19.050	3.30	23.812	
2684	2631	0.875	1.001	0.06	2.615	0.750	0.05	0.938	TS
		22.225	25.433	1.52	66.421	19.050	1.27	23.812	
2685	2620	0.938	1.001	0.03	2.484	0.750	0.13	0.938	TS
		23.812	25.433	0.80	63.100	19.050	3.30	23.812	
2687	2620	1.000	1.001	0.05	2.484	0.750	0.13	0.938	TS
		25.400	25.433	1.30	63.100	19.050	3.30	23.812	
2687	2631	1.000	1.001	0.05	2.615	0.750	0.05	0.938	TS
		25.400	25.433	1.27	66.421	19.050	1.27	23.812	
2688	2620	1.063	1.001	0.06	2.484	0.750	0.13	0.938	TS
		26.987	25.433	1.50	63.100	19.050	3.30	23.812	
2688	2631	1.063	1.001	0.06	2.615	0.750	0.05	0.938	TS
		26.987	25.433	1.52	66.421	19.050	1.27	23.812	
2689	2620	1.125	1.001	0.05	2.484	0.750	0.13	0.938	TS
		28.575	25.433	1.50	63.100	19.050	3.30	23.812	
2689	2631	1.125	1.001	0.05	2.615	0.750	0.05	0.938	TS
		28.575	25.433	1.27	66.421	19.050	1.27	23.812	
2690	2620	1.156	1.001	0.14	2.484	0.750	0.13	0.938	TS
		29.367	25.433	3.50	63.100	19.050	3.30	23.812	
2690	2631	1.156	1.001	0.14	2.615	0.750	0.05	0.938	TS
		29.367	25.433	3.50	66.421	19.050	1.27	23.812	
2690	2631-B	1.156	1.001	0.14	2.615	0.750	0.03	0.344	TSF
		29.367	25.433	3.50	66.421	19.050	0.76	8.725	
2691	2620	1.156	1.001	0.03	2.484	0.750	0.13	0.938	TS
		29.367	25.433	0.80	63.100	19.050	3.30	23.812	
2775	2729X	1.377	1.010	0.06	3.000	0.750	0.06	0.936	TS
		34.976	25.654	1.50	76.200	19.050	1.50	23.774	
2776	2720	1.500	1.010	0.17	3.000	0.750	0.13	0.938	TS
		38.100	25.654	4.32	76.200	19.050	3.30	23.812	
2776	2729X	1.500	1.010	0.17	3.000	0.750	0.06	0.936	TS
		38.100	25.654	4.30	76.200	19.050	1.50	23.774	

Numerical Listing

Part Number		Cone			Cup		Bearing	Brg Type	
Cone	Cup	Bore d	Width B	BF Radius R	OD D	Width C	BF Radius r		Width T / T1
2777	2720	1.500	1.010	0.22	3.000	0.750	0.13	0.938	TS
		38.100	25.654	5.50	76.200	19.050	3.30	23.812	
2777	2729X	1.500	1.010	0.22	3.000	0.750	0.06	0.936	TS
		38.100	25.654	5.50	76.200	19.050	1.50	23.774	
2780	2720	1.437	1.010	0.06	3.000	0.750	0.13	0.938	TS
		36.487	25.654	1.52	76.200	19.050	3.30	23.812	
2780	2729X	1.437	1.010	0.06	3.000	0.750	0.06	0.936	TS
		36.487	25.654	1.50	76.200	19.050	1.50	23.774	
2783	2729X	1.250	1.010	0.06	3.000	0.750	0.06	0.936	TS
		31.750	25.654	1.50	76.200	19.050	1.50	23.774	
2785	2720	1.313	1.010	0.14	3.000	0.750	0.13	0.938	TS
		33.338	25.654	3.50	76.200	19.050	3.30	23.812	
2785	2729X	1.313	1.010	0.14	3.000	0.750	0.06	0.936	TS
		33.338	25.654	3.50	76.200	19.050	1.50	23.774	
2785W	2729X	1.313	1.010	0.14	3.000	0.750	0.06	0.936	TS
		33.338	25.654	3.50	76.200	19.050	1.50	23.774	
2786	2720	1.375	1.010	0.20	3.000	0.750	0.13	0.938	TS
		34.925	25.654	5.00	76.200	19.050	3.30	23.812	
2786	2729X	1.375	1.010	0.20	3.000	0.750	0.06	0.936	TS
		34.925	25.654	5.00	76.200	19.050	1.50	23.774	
2788	2720	1.500	1.010	0.14	3.000	0.750	0.13	0.938	TS
		38.100	25.654	3.50	76.200	19.050	3.30	23.812	
2788	2729X	1.500	1.010	0.14	3.000	0.750	0.06	0.938	TS
		38.100	25.654	3.50	76.200	19.050	1.50	23.812	
2788A	2720	1.500	1.010	0.06	3.000	0.750	0.13	0.938	TS
		38.100	25.654	1.52	76.200	19.050	3.30	23.812	
2788A	2729X	1.500	1.010	0.06	3.000	0.750	0.06	0.936	TS
		38.100	25.654	1.50	76.200	19.050	1.50	23.774	
2788W	2729X	1.500	1.010	0.14	3.000	0.750	0.06	0.936	TS
		38.100	25.654	3.50	76.200	19.050	1.50	23.774	
2789	2720	1.563	1.010	0.14	3.000	0.750	0.13	0.938	TS
		39.688	25.654	3.50	76.200	19.050	3.30	23.812	
2789	2729X	1.563	1.010	0.14	3.000	0.750	0.06	0.936	TS
		39.688	25.654	3.50	76.200	19.050	1.50	23.774	
2790	2720	1.313	1.010	0.06	3.000	0.750	0.13	0.938	TS
		33.338	25.654	1.52	76.200	19.050	3.30	23.812	
2790	2729X	1.313	1.010	0.06	3.000	0.750	0.06	0.936	TS
		33.338	25.654	1.50	76.200	19.050	1.50	23.774	
2791A	2729X	1.406	1.010	0.06	3.000	0.750	0.06	0.936	TS
		35.707	25.654	1.50	76.200	19.050	1.50	23.774	
2793	2720	1.375	1.010	0.03	3.000	0.750	0.13	0.938	TS
		34.925	25.654	0.76	76.200	19.050	3.30	23.812	
2793	2729	1.375	1.010	0.03	3.000	0.750	0.03	0.938	TS
		34.925	25.654	0.76	76.200	19.050	0.76	23.812	

Numerical Listing

Part Number		Cone			Cup			Bearing	
Cone	Cup	Bore d	Width B	BF Radius R	OD D	Width C	BF Radius r	Width T / T1	Brg Type
2793	2729X	1.375	1.010	0.03	3.000	0.750	0.06	0.936	TS
		34.925	25.654	0.80	76.200	19.050	1.50	23.774	
2793	2735X	1.375	1.010	0.03	2.875	0.750	0.03	0.938	TS
		34.925	25.654	0.76	73.025	19.050	0.76	23.812	
2794	2720	1.437	1.010	0.14	3.000	0.750	0.13	0.938	TS
		36.487	25.654	3.50	76.200	19.050	3.30	23.812	
2794	2729X	1.437	1.010	0.14	3.000	0.750	0.06	0.936	TS
		36.487	25.654	3.50	76.200	19.050	1.50	23.774	
2796	2720	1.375	1.010	0.14	3.000	0.750	0.13	0.936	TS
		34.925	25.654	3.50	76.200	19.050	3.30	23.774	
2796	2729X	1.375	1.010	0.14	3.000	0.750	0.06	0.936	TS
		34.925	25.654	3.50	76.200	19.050	1.50	23.774	
2799W	2729X	1.500	1.010	0.14	3.000	0.750	0.06	0.936	TS
		38.100	25.654	3.50	76.200	19.050	1.50	23.774	
2878	2820	1.375	0.938	0.03	2.875	0.688	0.13	0.875	TS
		34.925	23.812	0.80	73.025	17.462	3.30	22.225	
2879	2820	1.250	0.938	0.03	2.875	0.688	0.13	0.875	TS
		31.750	23.812	0.80	73.025	17.462	3.30	22.225	
2984	2924	1.813	1.008	0.14	3.347	0.813	0.05	1.000	TS
		46.038	25.608	3.50	85.000	20.638	1.27	25.400	
3188	3120	1.250	1.181	0.03	2.859	0.938	0.13	1.188	TS
		31.750	29.997	0.76	72.626	23.812	3.30	30.162	
3192	3120	1.125	1.181	0.14	2.859	0.938	0.13	1.188	TS
		28.575	29.997	3.50	72.626	23.812	3.30	30.162	
3193	3120	1.250	1.181	0.14	2.859	0.938	0.13	1.188	TS
		31.750	29.997	3.50	72.626	23.812	3.30	30.162	
3196	3120	1.313	1.181	0.14	2.859	0.938	0.13	1.188	TS
		33.338	29.997	3.50	72.626	23.812	3.30	30.162	
3196	3120-B	1.313	1.181	0.14	2.859	0.938	0.13	0.438	TSF
		33.338	29.997	3.50	72.626	23.812	3.30	11.112	
3198	3120	1.125	1.181	0.05	2.859	0.938	0.13	1.188	TS
		28.575	29.997	1.27	72.626	23.812	3.30	30.162	
3198	3120-B	1.125	1.181	0.05	2.859	0.938	0.13	0.438	TSF
		28.575	29.997	1.27	72.626	23.812	3.30	11.112	
3198	3130	1.125	1.181	0.05	2.859	0.938	0.03	1.188	TS
		28.575	29.997	1.27	72.626	23.812	0.76	30.162	
3379	3320	1.375	1.197	0.14	3.156	0.938	0.13	1.156	TS
		34.925	30.391	3.50	80.167	23.812	3.30	29.367	
3381	3320	1.500	1.197	0.14	3.156	0.938	0.13	1.156	TS
		38.100	30.391	3.50	80.167	23.812	3.30	29.370	
3382	3320	1.563	1.197	0.14	3.156	0.938	0.13	1.156	TS
		39.688	30.391	3.50	80.167	23.812	3.30	29.370	
3382	3321	1.563	1.197	0.14	3.053	0.938	0.13	1.156	TS
		39.688	30.391	3.50	77.534	23.812	3.30	29.370	

Numerical Listing

Part Number		Cone			Cup			Bearing	Brg
Cone	Cup	Bore d	Width B	BF Radius R	OD D	Width C	BF Radius r	Width T / T1	Type
3382	3328	1.563	1.197	0.14	3.313	0.938	0.13	1.156	TS
		39.688	30.391	3.50	84.138	23.812	3.30	29.370	
3382	3331	1.563	1.197	0.14	3.156	0.938	0.03	1.156	TS
		39.688	30.391	3.50	80.167	23.812	0.76	29.370	
3382	3339	1.563	1.197	0.14	3.151	0.938	0.06	1.156	TS
		39.688	30.391	3.50	80.035	23.812	1.52	29.370	
3382T	3320	1.563	1.197	0.14	3.156	0.938	0.13	1.156	TS
		39.688	30.391	3.50	80.167	23.812	3.30	29.370	
3382T	3321	1.563	1.197	0.14	3.053	0.938	0.13	1.156	TS
		39.688	30.391	3.50	77.534	23.812	3.30	29.370	
3382T	3324	1.563	1.197	0.14	3.156	0.844	0.13	1.063	TS
		39.688	30.391	3.50	80.167	21.430	3.30	26.987	
3382T	3325	1.563	1.197	0.14	3.149	0.938	0.13	1.156	TS
		39.688	30.391	3.50	79.974	23.812	3.30	29.370	
3382T	3328	1.563	1.197	0.14	3.313	0.938	0.13	1.156	TS
		39.688	30.391	3.50	84.138	23.812	3.30	29.370	
3382T	3329	1.563	1.197	0.14	3.219	0.938	0.13	1.156	TS
		39.688	30.391	3.50	81.755	23.812	3.30	29.370	
3382T	3331	1.563	1.197	0.14	3.156	0.938	0.03	1.156	TS
		39.688	30.391	3.50	80.167	23.812	0.80	29.370	
3382T	3339	1.563	1.197	0.14	3.151	0.938	0.06	1.156	TS
		39.688	30.391	3.50	80.035	23.812	1.50	29.370	
3383	3320	1.625	1.197	0.14	3.156	0.938	0.13	1.156	TS
		41.275	30.391	3.50	80.167	23.812	3.30	29.370	
3383	3321	1.625	1.197	0.14	3.053	0.938	0.13	1.156	TS
		41.275	30.391	3.50	77.534	23.812	3.30	29.370	
3383	3324	1.625	1.197	0.14	3.156	0.844	0.13	1.063	TS
		41.275	30.391	3.50	80.167	21.430	3.30	26.987	
3383	3325	1.625	1.197	0.14	3.149	0.938	0.13	1.156	TS
		41.275	30.391	3.50	79.974	23.812	3.30	29.370	
3383	3328	1.625	1.197	0.14	3.313	0.938	0.13	1.156	TS
		41.275	30.391	3.50	84.138	23.812	3.30	29.370	
3383	3329	1.625	1.197	0.14	3.219	0.938	0.13	1.156	TS
		41.275	30.391	3.50	81.755	23.812	3.30	29.370	
3383	3331	1.625	1.197	0.14	3.156	0.938	0.03	1.156	TS
		41.275	30.391	3.50	80.167	23.812	0.80	29.370	
3383	3339	1.625	1.197	0.14	3.151	0.938	0.06	1.156	TS
		41.275	30.391	3.50	80.035	23.812	1.50	29.370	
3386	3320	1.563	1.197	0.03	3.156	0.938	0.13	1.156	TS
		39.688	30.391	0.76	80.167	23.812	3.30	29.370	
3476	3420	1.250	1.172	0.05	3.125	0.938	0.13	1.156	TS
		31.750	29.771	1.27	79.375	23.812	3.30	29.370	
3478	3420	1.375	1.172	0.14	3.125	0.938	0.13	1.156	TS
		34.925	29.771	3.50	79.375	23.812	3.30	29.370	

Numerical Listing

Part Number		Cone			Cup			Bearing	
Cone	Cup	Bore d	Width B	BF Radius R	OD D	Width C	BF Radius r	Width T / T1	Brg Type
3479	3420	1.438	1.172	0.03	3.125	0.938	0.13	1.156	TS
		36.512	29.771	0.76	79.375	23.812	3.30	29.370	
3490	3420	1.500	1.172	0.14	3.125	0.938	0.13	1.156	TS
		38.100	29.771	3.50	79.375	23.812	3.30	29.370	
JS-3549A	JS-3510	1.378	0.925	0.08	2.756	0.748	0.06	0.995	TS
		35.000	23.500	2.03	70.000	19.000	1.52	25.270	
3576	3525	1.625	1.216	0.03	3.438	0.938	0.13	1.188	TS
		41.275	30.886	0.76	87.312	23.812	3.30	30.162	
3577	3525	1.625	1.216	0.14	3.438	0.938	0.13	1.188	TS
		41.275	30.886	3.50	87.312	23.812	3.30	30.162	
3578	3520	1.750	1.216	0.14	3.313	0.938	0.13	1.188	TS
		44.450	30.886	3.50	84.138	23.812	3.30	30.162	
3578	3525	1.750	1.216	0.14	3.438	0.938	0.13	1.188	TS
		44.450	30.886	3.50	87.312	23.812	3.30	30.162	
3578	3525-B	1.750	1.216	0.14	3.438	0.938	0.13	0.438	TSF
		44.450	30.886	3.50	87.312	23.812	3.30	11.112	
3578	3526	1.750	1.216	0.14	3.438	0.938	0.03	1.188	TS
		44.450	30.886	3.50	87.312	23.812	0.76	30.162	
3578A	3520	1.750	1.216	0.22	3.313	0.938	0.13	1.188	TS
		44.450	30.886	5.50	84.138	23.812	3.30	30.162	
3578A	3520V	1.750	1.216	0.22	3.313	0.938	0.13	1.188	TS
		44.450	30.886	5.50	84.138	23.812	3.30	30.162	
3578A	3521	1.750	1.216	0.22	3.397	0.938	0.13	1.188	TS
		44.450	30.886	5.50	86.284	23.812	3.30	30.162	
3578A	3525	1.750	1.216	0.22	3.438	0.938	0.13	1.188	TS
		44.450	30.886	5.50	87.312	23.812	3.30	30.162	
3578A	3526	1.750	1.216	0.22	3.438	0.938	0.03	1.188	TS
		44.450	30.886	5.50	87.312	23.812	0.80	30.162	
3578A	3530	1.750	1.216	0.22	3.313	0.938	0.03	1.188	TS
		44.450	30.886	5.50	84.138	23.812	0.80	30.162	
3579	3525	1.688	1.216	0.14	3.438	0.938	0.13	1.188	TS
		42.862	30.886	3.50	87.312	23.812	3.30	30.162	
3580	3525	1.500	1.216	0.06	3.438	0.938	0.13	1.188	TS
		38.100	30.886	1.52	87.312	23.812	3.30	30.162	
3585	3525	1.625	1.216	0.06	3.438	0.938	0.13	1.188	TS
		41.275	30.886	1.52	87.312	23.812	3.30	30.162	
3586	3525	1.781	1.216	0.14	3.438	0.938	0.13	1.188	TS
		45.237	30.886	3.50	87.312	23.812	3.30	30.162	
3586	3525-B	1.781	1.216	0.14	3.438	0.938	0.13	0.438	TSF
		45.237	30.886	3.50	87.312	23.812	3.30	11.112	
3659	3620	0.938	1.198	0.09	2.438	0.938	0.13	1.125	TS
		23.812	30.416	2.29	61.912	23.812	3.30	28.575	
3767	3720	2.063	1.193	0.09	3.672	0.938	0.13	1.188	TS
		52.388	30.302	2.29	93.264	23.812	3.30	30.162	

bearing
specification:
0010110111011100110101
0010110111011100110101

TIMKEN®

Numerical Listing

Part Number		Cone			Cup			Bearing	Brg
Cone	Cup	Bore d	Width B	BF Radius R	OD D	Width C	BF Radius r	Width T / T1	Type
3767	3729D	2.063	1.193	0.09	3.672	2.063	0.03	2.563	TDO
		52.388	30.302	2.29	93.264	52.388	0.76	65.088	
3775	3720	2.000	1.193	0.03	3.672	0.938	0.13	1.188	TS
		50.800	30.302	0.76	93.264	23.812	3.30	30.162	
3776	3720	1.771	1.193	0.14	3.672	0.938	0.13	1.188	TS
		44.983	30.302	3.50	93.264	23.812	3.30	30.162	
3776	3729D	1.771	1.193	0.14	3.672	2.063	0.03	2.563	TDO
		44.983	30.302	3.50	93.264	52.388	0.76	65.088	
3777	3720	1.813	1.193	0.14	3.672	0.938	0.13	1.188	TS
		46.038	30.302	3.50	93.264	23.812	3.30	30.162	
3777	3729D	1.813	1.193	0.14	3.672	2.063	0.03	2.563	TDO
		46.038	30.302	3.50	93.264	52.388	0.76	65.088	
3778	3720	1.875	1.193	0.25	3.672	0.938	0.13	1.188	TS
		47.625	30.302	6.35	93.264	23.812	3.30	30.162	
3778	3729D	1.875	1.193	0.25	3.672	2.063	0.03	2.563	TDO
		47.625	30.302	6.35	93.264	52.388	0.76	65.088	
3779	3720	1.875	1.193	0.14	3.672	0.938	0.13	1.188	TS
		47.625	30.302	3.50	93.264	23.812	3.30	30.162	
3779	3729D	1.875	1.193	0.14	3.672	2.063	0.03	2.563	TDO
		47.625	30.302	3.50	93.264	52.388	0.76	65.088	
3780	3720	2.000	1.193	0.14	3.672	0.938	0.13	1.188	TS
		50.800	30.302	3.50	93.264	23.812	3.30	30.162	
3780	3720-B	2.000	1.193	0.14	3.672	0.938	0.13	0.438	TSF
		50.800	30.302	3.50	93.264	23.812	3.30	11.112	
3780	3726	2.000	1.193	0.14	3.750	0.938	0.13	1.188	TS
		50.800	30.302	3.50	95.250	23.812	3.30	30.162	
3780	3729D	2.000	1.193	0.14	3.672	2.063	0.03	2.563	TDO
		50.800	30.302	3.50	93.264	52.388	0.76	65.088	
3780	3730	2.000	1.193	0.14	3.672	0.938	0.03	1.188	TS
		50.800	30.302	3.50	93.264	23.812	0.76	30.162	
3780	3732	2.000	1.193	0.14	3.875	0.938	0.13	1.188	TS
		50.800	30.302	3.50	98.425	23.812	3.30	30.162	
3781	3720	1.938	1.193	0.14	3.672	0.938	0.13	1.188	TS
		49.212	30.302	3.50	93.264	23.812	3.30	30.162	
3781	3729D	1.938	1.193	0.14	3.672	2.063	0.03	2.563	TDO
		49.212	30.302	3.50	93.264	52.388	0.76	65.088	
3782	3720	1.750	1.193	0.14	3.672	0.938	0.13	1.188	TS
		44.450	30.302	3.50	93.264	23.812	3.30	30.162	
3782	3729D	1.750	1.193	0.14	3.672	2.063	0.03	2.563	TDO
		44.450	30.302	3.50	93.264	52.388	0.76	65.088	
3784	3720	2.000	1.193	0.25	3.672	0.938	0.13	1.188	TS
		50.800	30.302	6.35	93.264	23.812	3.30	30.162	
3784	3729D	2.000	1.193	0.25	3.672	2.063	0.03	2.563	TDO
		50.800	30.302	6.35	93.264	52.388	0.76	65.088	

Numerical Listing

Part Number		Cone			Cup			Bearing	
Cone	Cup	Bore d	Width B	BF Radius R	OD D	Width C	BF Radius r	Width T / T1	Brg Type
3795	3720	2.000	1.193	0.14	3.672	0.938	0.13	1.188	TS
		50.800	30.302	3.50	93.264	23.812	3.30	30.162	
3795	3720V	2.000	1.193	0.14	3.672	0.938	0.13	1.188	TS
		50.800	30.302	3.50	93.264	23.812	3.30	30.162	
3795	3726	2.000	1.193	0.14	3.750	0.938	0.13	1.188	TS
		50.800	30.302	3.50	95.250	23.812	3.30	30.162	
3795	3727	2.000	1.193	0.14	3.688	0.938	0.13	1.188	TS
		50.800	30.302	3.50	93.662	23.812	3.30	30.162	
3795	3730	2.000	1.193	0.14	3.672	0.938	0.03	1.188	TS
		50.800	30.302	3.50	93.264	23.812	0.80	30.162	
3795	3731	2.000	1.193	0.14	3.936	0.938	0.13	1.188	TS
		50.800	30.302	3.50	99.979	23.812	3.30	30.162	
3795	3732	2.000	1.193	0.14	3.875	0.938	0.13	1.188	TS
		50.800	30.302	3.50	98.425	23.812	3.30	30.162	
3795	3733	2.000	1.193	0.14	3.939	0.938	0.03	1.188	TS
		50.800	30.302	3.50	100.038	23.812	0.80	30.162	
3795	3735	2.000	1.193	0.14	3.939	0.938	0.13	1.185	TS
		50.800	30.302	3.50	100.040	23.812	3.30	30.099	
3872	3820	1.375	1.188	0.14	3.375	0.938	0.13	1.188	TS
		34.925	30.162	3.50	85.725	23.812	3.30	30.162	
3875	3820	1.500	1.188	0.03	3.375	0.938	0.13	1.188	TS
		38.100	30.162	0.76	85.725	23.812	3.30	30.162	
3876	3820	1.500	1.188	0.14	3.375	0.938	0.13	1.188	TS
		38.100	30.162	3.50	85.725	23.812	3.30	30.162	
3877	3820	1.625	1.188	0.14	3.375	0.938	0.13	1.188	TS
		41.275	30.162	3.50	85.725	23.812	3.30	30.162	
3877	3820-B	1.625	1.188	0.14	3.375	0.938	0.13	0.438	TSF
		41.275	30.162	3.50	85.725	23.812	3.30	11.112	
3877	3821	1.625	1.188	0.14	3.375	0.938	0.05	1.188	TS
		41.275	30.162	3.50	85.725	23.812	1.27	30.162	
3878	3820	1.438	1.188	0.03	3.375	0.938	0.13	1.188	TS
		36.512	30.162	0.76	85.725	23.812	3.30	30.162	
3879	3820	1.575	1.188	0.03	3.375	0.938	0.13	1.188	TS
		40.000	30.162	0.76	85.725	23.812	3.30	30.162	
3880	3820	1.625	1.188	0.03	3.375	0.938	0.13	1.188	TS
		41.275	30.162	0.76	85.725	23.812	3.30	30.162	
3975	3920	2.000	1.183	0.14	4.438	0.938	0.13	1.188	TS
		50.800	30.048	3.50	112.712	23.812	3.30	30.162	
3977	3920	2.362	1.183	0.14	4.438	0.938	0.13	1.188	TS
		60.000	30.048	3.50	112.712	23.812	3.30	30.162	
3979	3920	2.250	1.183	0.14	4.438	0.938	0.13	1.188	TS
		57.150	30.048	3.50	112.712	23.812	3.30	30.162	
3980	3920	2.375	1.183	0.14	4.438	0.938	0.13	1.188	TS
		60.325	30.048	3.50	112.712	23.812	3.30	30.162	

bearing
specification:
0010110111011100110101
0010110111011100110101

TIMKEN®

Numerical Listing

Part Number		Cone			Cup			Bearing	
Cone	Cup	Bore d	Width B	BF Radius R	OD D	Width C	BF Radius r	Width T / T1	Brg Type
3982	3920	2.500	1.183	0.14	4.438	0.938	0.13	1.188	TS
		63.500	30.048	3.50	112.712	23.812	3.30	30.162	
3984	3920	2.625	1.183	0.14	4.438	0.938	0.13	1.188	TS
		66.675	30.048	3.50	112.712	23.812	3.30	30.162	
3984	3925	2.625	1.183	0.14	4.438	0.938	0.03	1.188	TS
		66.675	30.048	3.50	112.712	23.812	0.76	30.162	
3984	3926	2.625	1.183	0.14	4.438	1.063	0.13	1.313	TS
		66.675	30.048	3.50	112.712	26.988	3.30	33.338	
3992	3920	2.625	1.151	0.22	4.438	0.938	0.13	1.155	TS
		66.675	29.223	5.50	112.712	23.812	3.30	29.337	
3992	3925	2.625	1.151	0.22	4.438	0.938	0.03	1.155	TS
		66.675	29.223	5.50	112.712	23.812	0.76	29.337	
3992	3926	2.625	1.151	0.22	4.438	1.063	0.13	1.280	TS
		66.675	29.223	5.50	112.712	26.988	3.30	32.512	
3994	3920	2.625	1.183	0.22	4.438	0.938	0.13	1.188	TS
		66.675	30.048	5.50	112.712	23.812	3.30	30.162	
3994	3925	2.625	1.183	0.22	4.438	0.938	0.03	1.188	TS
		66.675	30.048	5.50	112.712	23.812	0.76	30.162	
3994	3926	2.625	1.183	0.22	4.438	1.063	0.13	1.313	TS
		66.675	30.048	5.50	112.712	26.988	3.30	33.338	
A4049	A4138	0.499	0.433	0.03	1.378	0.344	0.05	0.433	TS
		12.680	10.988	0.76	34.987	8.730	1.27	10.998	
A4049	A4138D	0.499	0.433	0.03	1.378	0.813	0.03	0.991	TDO
		12.680	10.988	0.76	34.987	20.638	0.64	25.174	
A4050	A4138	0.500	0.433	0.05	1.378	0.344	0.05	0.433	TS
		12.700	10.988	1.27	34.987	8.730	1.27	10.998	
A4050	A4138-B	0.500	0.433	0.05	1.378	0.344	0.05	0.182	TSF
		12.700	10.988	1.27	34.987	8.730	1.27	4.630	
A4050	A4138D	0.500	0.433	0.05	1.378	0.813	0.03	0.991	TDO
		12.700	10.988	1.27	34.987	20.638	0.64	25.174	
A4059	A4138	0.590	0.433	0.03	1.378	0.344	0.05	0.433	TS
		14.987	10.988	0.76	34.987	8.730	1.27	10.998	
A4059	A4138-B	0.590	0.433	0.03	1.378	0.344	0.05	0.182	TSF
		14.987	10.988	0.76	34.987	8.730	1.27	4.630	
A4059	A4138D	0.590	0.433	0.03	1.378	0.813	0.03	0.991	TDO
		14.987	10.988	0.76	34.987	20.638	0.64	25.174	
4388	4335	1.625	1.590	0.14	3.563	1.313	0.13	1.563	TS
		41.275	40.386	3.50	90.488	33.338	3.30	39.688	
4395	4335	1.656	1.590	0.14	3.563	1.313	0.13	1.563	TS
		42.070	40.386	3.50	90.488	33.338	3.30	39.688	
JW4549	JW4510	1.772	1.043	0.10	3.740	0.787	0.10	1.142	TS
		45.000	26.500	2.54	95.000	20.000	2.54	29.000	
4580	4535	2.000	1.581	0.14	4.125	1.313	0.13	1.563	TS
		50.800	40.157	3.50	104.775	33.338	3.30	39.688	

Numerical Listing

Part Number		Cone			Cup			Bearing	
Cone	Cup	Bore d	Width B	BF Radius R	OD D	Width C	BF Radius r	Width T / T1	Brg Type
4595	4535	2.125	1.581	0.14	4.125	1.313	0.13	1.563	TS
		53.975	40.157	3.50	104.775	33.338	3.30	39.688	
JW5049	JW5010	1.969	1.142	0.12	4.134	0.866	0.12	1.260	TS
		50.000	29.000	3.05	105.000	22.000	3.05	32.000	
A5069	A5144	0.687	0.438	0.06	1.438	0.313	0.06	0.438	TS
		17.455	11.112	1.52	36.525	7.938	1.52	11.112	
5356	5335	1.750	1.751	0.05	4.063	1.438	0.13	1.719	TS
		44.450	44.475	1.27	103.188	36.512	3.30	43.658	
5395	5335	1.938	1.751	0.14	4.063	1.438	0.13	1.719	TS
		49.212	44.475	3.50	103.188	36.512	3.30	43.658	
JW5549	JW5510	2.165	1.221	0.12	4.528	0.925	0.12	1.339	TS
		55.000	31.000	3.05	115.000	23.500	3.05	34.000	
5565	5535	2.000	1.723	0.05	4.813	1.438	0.13	1.719	TS
		50.800	43.764	1.27	122.238	36.512	3.30	43.658	
5577	5535	2.125	1.723	0.05	4.813	1.438	0.13	1.719	TS
		53.975	43.764	1.27	122.238	36.512	3.30	43.658	
5578	5535	2.125	1.723	0.14	4.813	1.438	0.13	1.719	TS
		53.975	43.764	3.50	122.238	36.512	3.30	43.658	
5583	5535	2.375	1.723	0.14	4.813	1.438	0.13	1.719	TS
		60.325	43.764	3.50	122.238	36.512	3.30	43.658	
5584	5535	2.500	1.723	0.14	4.813	1.438	0.13	1.719	TS
		63.500	43.764	3.50	122.238	36.512	3.30	43.658	
5595	5535	2.594	1.723	0.14	4.813	1.438	0.13	1.719	TS
		65.883	43.764	3.50	122.238	36.512	3.30	43.655	
5760	5735	3.000	1.815	0.14	5.344	1.375	0.13	1.750	TS
		76.200	46.100	3.50	135.733	34.925	3.30	44.450	
5795	5735	3.063	1.815	0.14	5.344	1.375	0.13	1.750	TS
		77.788	46.100	3.50	135.733	34.925	3.30	44.450	
JP6049	JP6010	2.362	0.787	0.08	3.937	0.610	0.08	0.827	TS
		60.000	20.000	2.03	100.000	15.500	2.03	21.000	
JP6049	JP6010-B	2.362	0.787	0.08	3.937	0.610	0.08	0.335	TSF
		60.000	20.000	2.03	100.000	15.500	2.03	8.500	
JW6049	JW6010	2.362	1.319	0.12	4.921	1.024	0.12	1.457	TS
		60.000	33.500	3.05	125.000	26.000	3.05	37.000	
A6062	A6157	0.625	0.439	0.05	1.575	0.375	0.05	0.473	TS
		15.875	11.153	1.27	39.992	9.525	1.27	12.014	
A6067	A6157	0.669	0.439	0.03	1.575	0.375	0.05	0.473	TS
		16.993	11.153	0.76	39.992	9.525	1.27	12.014	
A6075	A6157	0.750	0.439	0.04	1.575	0.375	0.05	0.473	TS
		19.050	11.153	1.02	39.992	9.525	1.27	12.014	
A6075	A6157-B	0.750	0.439	0.04	1.575	0.375	0.05	0.191	TSF
		19.050	11.153	1.02	39.992	9.525	1.27	4.851	
A6075	A6162	0.750	0.439	0.04	1.625	0.344	0.05	0.469	TS
		19.050	11.153	1.02	41.275	8.730	1.27	11.905	

Numerical Listing

Part Number		Cone			Cup			Bearing	Brg
Cone	Cup	Bore d	Width B	BF Radius R	OD D	Width C	BF Radius r	Width T / T1	Type
6277	6220	1.750	2.063	0.14	5.000	1.625	0.13	2.000	TS
		44.450	52.388	3.50	127.000	41.275	3.30	50.800	
6280	6220	2.125	2.063	0.14	5.000	1.625	0.13	2.000	TS
		53.975	52.388	3.50	127.000	41.275	3.30	50.800	
6379	6320	2.563	2.205	0.14	5.345	1.750	0.13	2.125	TS
		65.088	56.007	3.50	135.755	44.450	3.30	53.975	
6381	6320	2.165	2.205	0.14	5.345	1.750	0.13	2.125	TS
		54.987	56.007	3.50	135.755	44.450	3.30	53.975	
6382	6320	2.500	2.205	0.17	5.345	1.750	0.13	2.125	TS
		63.500	56.007	4.32	135.755	44.450	3.30	53.975	
6386	6320	2.625	2.205	0.17	5.345	1.750	0.13	2.125	TS
		66.675	56.007	4.32	135.755	44.450	3.30	53.975	
6389	6320	2.625	2.205	0.25	5.345	1.750	0.13	2.125	TS
		66.675	56.007	6.35	135.755	44.450	3.30	53.975	
J6392	6320	2.559	2.205	0.12	5.345	1.750	0.13	2.125	TS
		65.000	56.007	3.05	135.755	44.450	3.30	53.980	
J6392	J6327	2.559	2.205	0.12	5.512	1.750	0.13	2.125	TS
		65.000	56.007	3.05	140.000	44.450	3.30	53.980	
6460	6420	2.875	2.135	0.14	5.875	1.750	0.13	2.125	TS
		73.025	54.229	3.50	149.225	44.450	3.30	53.975	
6461	6420	3.000	2.135	0.14	5.875	1.750	0.13	2.125	TS
		76.200	54.229	3.50	149.225	44.450	3.30	53.975	
6461A	6420	3.000	2.135	0.38	5.875	1.750	0.13	2.125	TS
		76.200	54.229	9.70	149.225	44.450	3.30	53.975	
6461A	6420A	3.000	2.135	0.38	5.875	1.750	0.03	2.125	TS
		76.200	54.229	9.70	149.225	44.450	0.80	53.975	
6461A	6420-B	3.000	2.135	0.38	5.875	1.750	0.13	0.688	TSF
		76.200	54.229	9.70	149.225	44.450	3.30	17.462	
6461A	6424	3.000	2.135	0.38	5.906	1.772	0.12	2.126	TS
		76.200	54.229	9.70	150.000	45.000	3.00	54.000	
6461A	6427	3.000	2.135	0.38	6.188	1.750	0.13	2.125	TS
		76.200	54.229	9.70	157.162	44.450	3.30	53.975	
6466	6420	3.000	2.135	0.25	5.875	1.750	0.13	2.125	TS
		76.200	54.229	6.40	149.225	44.450	3.30	53.975	
6466	6420A	3.000	2.135	0.25	5.875	1.750	0.03	2.125	TS
		76.200	54.229	6.40	149.225	44.450	0.80	53.975	
6466	6424	3.000	2.135	0.25	5.906	1.772	0.12	2.126	TS
		76.200	54.229	6.40	150.000	45.000	3.00	54.000	
6466	6427	3.000	2.135	0.25	6.188	1.750	0.13	2.125	TS
		76.200	54.229	6.40	157.162	44.450	3.30	53.975	
6559C	6535	3.250	2.169	0.14	6.375	1.688	0.13	2.125	TS
		82.550	55.100	3.50	161.925	42.862	3.30	53.975	
6575	6535	3.000	2.169	0.25	6.375	1.688	0.13	2.125	TS
		76.200	55.100	6.35	161.925	42.862	3.30	53.975	

Numerical Listing

Part Number		Cone			Cup			Bearing	Brg
Cone	Cup	Bore d	Width B	BF Radius R	OD D	Width C	BF Radius r	Width T / T1	Type
6576	6535W	3.000	2.169	0.14	6.375	1.688	0.13	2.125	TS
		76.200	55.100	3.50	161.925	42.862	3.30	53.975	
6576C	6535	3.000	2.169	0.14	6.375	1.688	0.13	2.125	TS
		76.200	55.100	3.50	161.925	42.862	3.30	53.975	
6580	6535	3.500	2.169	0.14	6.375	1.688	0.13	2.125	TS
		88.900	55.100	3.50	161.925	42.862	3.30	53.975	
6580	6535-B	3.500	2.169	0.14	6.375	1.688	0.13	0.750	TSF
		88.900	55.100	3.50	161.925	42.862	3.30	19.050	
JF7049	JF7010	2.756	1.654	0.12	5.118	1.378	0.10	1.693	TS
		70.000	42.000	3.05	130.000	35.000	2.54	43.000	
JF7049A	JF7010	2.756	1.654	0.28	5.118	1.378	0.10	1.693	TS
		70.000	42.000	7.00	130.000	35.000	2.54	43.000	
JP7049	JP7010	2.756	0.787	0.08	4.331	0.610	0.08	0.827	TS
		70.000	20.000	2.03	110.000	15.500	2.03	21.000	
JP7049	JP7010-B	2.756	0.787	0.08	4.331	0.610	0.08	0.335	TSF
		70.000	20.000	2.03	110.000	15.500	2.03	8.500	
JW7049	JW7010	2.756	1.398	0.12	5.512	1.063	0.12	1.535	TS
		70.000	35.500	3.05	140.000	27.000	3.05	39.000	
7087	7204	0.875	0.561	0.05	2.047	0.500	0.05	0.591	TS
		22.225	14.260	1.30	51.994	12.700	1.30	15.011	
7097	7204	0.984	0.561	0.06	2.047	0.500	0.05	0.591	TS
		25.000	14.260	1.50	51.994	12.700	1.30	15.011	
7098	7204	0.984	0.561	0.06	2.047	0.500	0.05	0.591	TS
		24.981	14.260	1.50	51.994	12.700	1.30	15.011	
7100	7204	1.000	0.561	0.04	2.047	0.500	0.05	0.591	TS
		25.400	14.260	1.00	51.994	12.700	1.30	15.011	
JP8049	JP8010	3.150	0.886	0.08	4.921	0.689	0.08	0.945	TS
		80.000	22.500	2.03	125.000	17.500	2.03	24.000	
JP8049	JP8010-B	3.150	0.886	0.08	4.921	0.689	0.08	0.413	TSF
		80.000	22.500	2.03	125.000	17.500	2.03	10.500	
JW8049	JW8010	3.150	1.614	0.12	6.299	1.221	0.12	1.772	TS
		80.000	41.000	3.05	160.000	31.000	3.05	45.000	
8573	8520	9.000	2.063	0.25	12.875	1.438	0.13	2.063	TS
		228.600	52.388	6.35	327.025	36.512	3.30	52.388	
8573	8520CD	9.000	2.063	0.25	12.875	3.250	0.06	4.500	TDO
		228.600	52.388	6.35	327.025	82.550	1.52	114.300	
8574	8520	9.250	2.063	0.25	12.875	1.438	0.13	2.063	TS
		234.950	52.388	6.35	327.025	36.512	3.30	52.388	
8575	8520	9.250	2.063	0.25	12.875	1.438	0.13	2.063	TS
		234.950	52.388	6.35	327.025	36.512	3.30	52.388	
8575	8520CD	9.250	2.063	0.25	12.875	3.250	0.06	4.500	TDO
		234.950	52.388	6.35	327.025	82.550	1.52	114.300	
8578	8520	9.500	2.063	0.25	12.875	1.438	0.13	2.063	TS
		241.300	52.388	6.35	327.025	36.512	3.30	52.388	

Numerical Listing

Part Number		Cone			OD	Cup		Bearing Width	Brg Type
		Bore	Width	BF Radius		Width	BF Radius		
		d	B	R		C	r		
8578	8520-B	9.500	2.063	0.25	12.875	1.438	0.13	1.000	TSF
		241.300	52.388	6.35	327.025	36.512	3.30	25.400	
8578	8520CD	9.500	2.063	0.25	12.875	3.250	0.06	4.500	TDO
		241.300	52.388	6.35	327.025	82.550	1.52	114.300	
9185	9121	2.688	1.813	0.14	6.000	1.250	0.13	1.875	TS
		68.262	46.038	3.50	152.400	31.750	3.30	47.625	
9278	9220	2.688	1.813	0.14	6.375	1.250	0.13	1.938	TS
		68.262	46.038	3.50	161.925	31.750	3.30	49.212	
9285	9220	3.000	1.813	0.14	6.375	1.250	0.13	1.938	TS
		76.200	46.038	3.50	161.925	31.750	3.30	49.212	
9285	9220D	3.000	1.813	0.14	6.375	2.781	0.03	4.156	TDO
		76.200	46.038	3.50	161.925	70.637	0.76	105.562	
9380	9320D	3.000	1.813	0.14	7.000	2.938	0.09	4.313	TDO
		76.200	46.038	3.50	177.800	74.612	2.29	109.538	
9380	9321	3.000	1.813	0.14	6.750	1.250	0.13	1.938	TS
		76.200	46.038	3.50	171.450	31.750	3.30	49.212	
9380	9321-B	3.000	1.813	0.14	6.750	1.250	0.13	1.000	TSF
		76.200	46.038	3.50	171.450	31.750	3.30	25.400	
9386H	9320D	3.313	1.813	0.14	7.000	2.938	0.09	4.313	TDO
		84.138	46.038	3.50	177.800	74.612	2.29	109.538	
9386H	9321	3.313	1.813	0.14	6.750	1.250	0.13	1.938	TS
		84.138	46.038	3.50	171.450	31.750	3.30	49.212	
9386H	9321-B	3.313	1.813	0.14	6.750	1.250	0.13	1.000	TSF
		84.138	46.038	3.50	171.450	31.750	3.30	25.400	
00050	00150	0.500	0.554	0.06	1.500	0.438	0.03	0.531	TS
		12.700	14.072	1.52	38.100	11.112	0.76	13.495	
02474	02420-B	1.125	0.875	0.03	2.688	0.688	0.06	0.344	TSF
		28.575	22.225	0.76	68.262	17.462	1.52	8.730	
02475	02420	1.250	0.875	0.14	2.688	0.688	0.06	0.875	TS
		31.750	22.225	3.50	68.262	17.462	1.52	22.225	
02475	02420-B	1.250	0.875	0.14	2.688	0.688	0.06	0.344	TSF
		31.750	22.225	3.50	68.262	17.462	1.52	8.730	
02476	02420	1.250	0.875	0.03	2.688	0.688	0.06	0.875	TS
		31.750	22.225	0.76	68.262	17.462	1.52	22.225	
02872	02820	1.125	0.875	0.03	2.875	0.688	0.13	0.875	TS
		28.575	22.225	0.76	73.025	17.462	3.30	22.225	
02872	02823D	1.125	0.875	0.03	3.000	1.500	0.03	1.875	TDO
		28.575	22.225	0.76	76.200	38.100	0.76	47.625	
02875	02823D	1.250	0.875	0.14	3.000	1.500	0.03	1.875	TDO
		31.750	22.225	3.50	76.200	38.100	0.76	47.625	
02876	02823D	1.250	0.875	0.03	3.000	1.500	0.03	1.875	TDO
		31.750	22.225	0.76	76.200	38.100	0.76	47.625	
02877	02823D	1.375	0.875	0.14	3.000	1.500	0.03	1.875	TDO
		34.925	22.225	3.50	76.200	38.100	0.76	47.625	

Numerical Listing

Part Number		Cone			Cup			Bearing	
Cone	Cup	Bore d	Width B	BF Radius R	OD D	Width C	BF Radius r	Width T / T1	Brg Type
02878	02820	1.375	0.875	0.03	2.875	0.688	0.13	0.875	TS
		34.925	22.225	0.76	73.025	17.462	3.30	22.225	
02878	02823D	1.375	0.875	0.03	3.000	1.500	0.03	1.875	TDO
		34.925	22.225	0.76	76.200	38.100	0.76	47.625	
03062	03162	0.625	0.578	0.05	1.625	0.438	0.08	0.563	TS
		15.875	14.681	1.27	41.275	11.112	2.03	14.288	
05062	05185	0.625	0.566	0.06	1.850	0.438	0.05	0.566	TS
		15.875	14.381	1.52	47.000	11.112	1.27	14.381	
05062	05185-B	0.625	0.566	0.06	1.850	0.438	0.06	0.238	TSF
		15.875	14.381	1.52	47.000	11.112	1.52	6.038	
05062	05185D	0.625	0.566	0.06	1.850	0.993	0.03	1.250	TDO
		15.875	14.381	1.52	47.000	25.212	0.76	31.750	
05066	05185	0.669	0.566	0.06	1.850	0.438	0.05	0.566	TS
		16.993	14.381	1.52	47.000	11.112	1.27	14.381	
05066	05185D	0.669	0.566	0.06	1.850	0.993	0.03	1.250	TDO
		16.993	14.381	1.52	47.000	25.212	0.76	31.750	
05075	05185	0.750	0.566	0.05	1.850	0.438	0.05	0.566	TS
		19.050	14.381	1.27	47.000	11.112	1.27	14.381	
05075	05185D	0.750	0.566	0.05	1.850	0.993	0.03	1.250	TDO
		19.050	14.381	1.27	47.000	25.212	0.76	31.750	
05079	05185	0.787	0.566	0.06	1.850	0.438	0.05	0.566	TS
		19.987	14.381	1.52	47.000	11.112	1.27	14.381	
05079	05185-B	0.787	0.566	0.06	1.850	0.438	0.06	0.238	TSF
		19.987	14.381	1.52	47.000	11.112	1.52	6.048	
05079	05185D	0.787	0.566	0.06	1.850	0.993	0.03	1.250	TDO
		19.987	14.381	1.52	47.000	25.212	0.76	31.750	
07079	07196	0.787	0.561	0.06	1.969	0.375	0.04	0.531	TS
		20.000	14.260	1.52	50.005	9.525	1.02	13.495	
07079	07196D	0.787	0.561	0.06	1.969	1.000	0.03	1.313	TDO
		20.000	14.260	1.52	50.005	25.400	0.64	33.340	
07079	07196DC	0.787	0.561	0.06	1.969	1.000	0.03	1.313	TDO
		20.000	14.260	1.52	50.005	25.400	0.64	33.340	
07087	07196	0.875	0.561	0.05	1.969	0.375	0.04	0.531	TS
		22.225	14.260	1.27	50.005	9.525	1.02	13.495	
07087	07196D	0.875	0.561	0.05	1.969	1.000	0.03	1.313	TDO
		22.225	14.260	1.27	50.005	25.400	0.64	33.340	
07087	07196DC	0.875	0.561	0.05	1.969	1.000	0.03	1.313	TDO
		22.225	14.260	1.27	50.005	25.400	0.64	33.340	
07087X	07210X	0.875	0.561	0.06	2.000	0.500	0.06	0.591	TS
		22.225	14.260	1.50	50.800	12.700	1.50	15.011	
07093	07196	0.938	0.561	0.06	1.969	0.375	0.04	0.531	TS
		23.812	14.260	1.52	50.005	9.525	1.02	13.495	
07093	07196D	0.938	0.561	0.06	1.969	1.000	0.03	1.313	TDO
		23.812	14.260	1.52	50.005	25.400	0.64	33.340	

bearing
specification:
0010110111011100110101
0010110111011100110101



Numerical Listing

Part Number		Cone			Cup			Bearing	Brg
Cone	Cup	Bore d	Width B	BF Radius R	OD D	Width C	BF Radius r	Width T / T1	Type
07093	07196DC	0.938	0.561	0.06	1.969	1.000	0.03	1.313	TDO
		23.812	14.260	1.52	50.005	25.400	0.64	33.340	
07096	07196	0.991	0.561	0.06	1.969	0.375	0.04	0.531	TS
		25.159	14.260	1.52	50.005	9.525	1.02	13.495	
07096	07196D	0.991	0.561	0.06	1.969	1.000	0.03	1.313	TDO
		25.159	14.260	1.52	50.005	25.400	0.64	33.340	
07096	07196DC	0.991	0.561	0.06	1.969	1.000	0.03	1.313	TDO
		25.159	14.260	1.52	50.005	25.400	0.64	33.340	
07097	07196	0.984	0.561	0.06	1.969	0.375	0.04	0.531	TS
		25.000	14.260	1.52	50.005	9.525	1.02	13.495	
07097	07196D	0.984	0.561	0.06	1.969	1.000	0.03	1.313	TDO
		25.000	14.260	1.52	50.005	25.400	0.64	33.340	
07097	07196DC	0.984	0.561	0.06	1.969	1.000	0.03	1.313	TDO
		25.000	14.260	1.52	50.005	25.400	0.64	33.340	
07098	07196	0.984	0.561	0.06	1.969	0.375	0.04	0.531	TS
		24.981	14.260	1.52	50.005	9.525	1.02	13.495	
07098	07196D	0.984	0.561	0.06	1.969	1.000	0.03	1.313	TDO
		24.981	14.260	1.52	50.005	25.400	0.64	33.340	
07098	07196DC	0.984	0.561	0.06	1.969	1.000	0.03	1.313	TDO
		24.981	14.260	1.52	50.005	25.400	0.64	33.340	
07098W	07210X	0.984	0.561	0.06	2.000	0.500	0.06	0.591	TS
		24.981	14.260	1.50	50.800	12.700	1.50	15.011	
07100	07196	1.000	0.561	0.04	1.969	0.375	0.04	0.531	TS
		25.400	14.260	1.02	50.005	9.525	1.02	13.495	
07100	07196-B	1.000	0.561	0.04	1.969	0.375	0.04	0.266	TSF
		25.400	14.260	1.02	50.005	9.525	1.02	6.749	
07100	07196D	1.000	0.561	0.04	1.969	1.000	0.03	1.313	TDO
		25.400	14.260	1.02	50.005	25.400	0.64	33.340	
07100	07196DC	1.000	0.561	0.04	1.969	1.000	0.03	1.313	TDO
		25.400	14.260	1.02	50.005	25.400	0.64	33.340	
07100	07204-B	1.000	0.561	0.04	2.047	0.500	0.06	0.200	TSF
		25.400	14.260	1.02	51.994	12.700	1.52	5.080	
07100-S	07196	1.000	0.561	0.06	1.969	0.375	0.04	0.531	TS
		25.400	14.260	1.52	50.005	9.525	1.02	13.495	
07100-S	07196D	1.000	0.561	0.06	1.969	1.000	0.03	1.313	TDO
		25.400	14.260	1.52	50.005	25.400	0.64	33.340	
07100-S	07196DC	1.000	0.561	0.06	1.969	1.000	0.03	1.313	TDO
		25.400	14.260	1.52	50.005	25.400	0.64	33.340	
07100-S	07210X	1.000	0.561	0.06	2.000	0.500	0.06	0.591	TS
		25.400	14.260	1.50	50.800	12.700	1.50	15.011	
07100-SA	07210X	1.000	0.561	0.13	2.000	0.500	0.06	0.591	TS
		25.400	14.260	3.30	50.800	12.700	1.50	15.011	
07100W	07210X	1.000	0.561	0.04	2.000	0.500	0.06	0.591	TS
		25.400	14.260	1.00	50.800	12.700	1.50	15.011	

Numerical Listing

Part Number		Cone			Cup			Bearing	
Cone	Cup	Bore d	Width B	BF Radius R	OD D	Width C	BF Radius r	Width T / T1	Brg Type
08125	08231	1.250	0.594	0.04	2.313	0.422	0.04	0.578	TS
		31.750	15.080	1.02	58.738	10.716	1.02	14.684	
08125	08231-B	1.250	0.594	0.04	2.313	0.422	0.04	0.265	TSF
		31.750	15.080	1.02	58.738	10.716	1.02	6.736	
08125	08231D	1.250	0.594	0.04	2.313	0.969	0.02	1.281	TDO
		31.750	15.080	1.02	58.738	24.608	0.38	32.542	
09062	09195	0.625	0.848	0.03	1.938	0.563	0.05	0.781	TS
		15.875	21.539	0.76	49.225	14.288	1.27	19.845	
09067	09194	0.750	0.750	0.05	1.938	0.688	0.14	0.835	TS
		19.050	19.050	1.27	49.225	17.462	3.50	21.209	
09067	09195	0.750	0.750	0.05	1.938	0.563	0.05	0.710	TS
		19.050	19.050	1.27	49.225	14.288	1.27	18.034	
09067	09195AB	0.750	0.750	0.05	1.938	0.563	0.05	0.276	TSF
		19.050	19.050	1.27	49.225	14.288	1.27	6.998	
09067	09196	0.750	0.750	0.05	1.938	0.688	0.06	0.835	TS
		19.050	19.050	1.27	49.225	17.462	1.52	21.209	
09074	09195	0.750	0.848	0.06	1.938	0.563	0.05	0.781	TS
		19.050	21.539	1.52	49.225	14.288	1.27	19.845	
09078	09195	0.750	0.848	0.05	1.938	0.563	0.05	0.781	TS
		19.050	21.539	1.27	49.225	14.288	1.27	19.845	
09081	09195	0.812	0.848	0.06	1.938	0.563	0.05	0.781	TS
		20.625	21.539	1.52	49.225	14.288	1.27	19.845	
09081	09195AB	0.812	0.848	0.06	1.938	0.563	0.05	0.347	TSF
		20.625	21.539	1.52	49.225	14.288	1.27	8.809	
JP10044	JP10010	3.740	0.886	0.12	5.709	0.689	0.12	0.945	TS
		95.000	22.500	3.05	145.000	17.500	3.05	24.000	
JP10044	JP10010-B	3.740	0.886	0.12	5.709	0.689	0.12	0.413	TSF
		95.000	22.500	3.05	145.000	17.500	3.05	10.500	
JP10049	JP10010	3.937	0.886	0.12	5.709	0.689	0.12	0.945	TS
		100.000	22.500	3.05	145.000	17.500	3.05	24.000	
JP10049	JP10010-B	3.937	0.886	0.12	5.709	0.689	0.12	0.413	TSF
		100.000	22.500	3.05	145.000	17.500	3.05	10.500	
11162	11300	1.625	0.684	0.06	3.000	0.563	0.06	0.709	TS
		41.275	17.384	1.52	76.200	14.288	1.52	18.009	
11162	11300-B	1.625	0.684	0.06	3.000	0.563	0.06	0.287	TSF
		41.275	17.384	1.52	76.200	14.288	1.52	7.292	
11162	11315	1.625	0.684	0.06	3.150	0.563	0.06	0.709	TS
		41.275	17.384	1.52	80.000	14.288	1.52	18.009	
11590	11520	0.625	0.563	0.06	1.688	0.375	0.06	0.563	TS
		15.875	14.288	1.52	42.862	9.525	1.52	14.288	
LM11749	LM11710	0.688	0.575	0.05	1.570	0.420	0.05	0.545	TS
		17.462	14.605	1.27	39.878	10.668	1.27	13.843	
LM11949	LM11910	0.750	0.655	0.05	1.781	0.475	0.05	0.610	TS
		19.050	16.637	1.27	45.237	12.065	1.27	15.494	

bearing
specification:
0010110111011100110101
0010110111011100110101

TIMKEN®

Numerical Listing

Part Number		Cone			Cup			Bearing	
Cone	Cup	Bore d	Width B	BF Radius R	OD D	Width C	BF Radius r	Width T / T1	Brg Type
12168	12303	1.688	0.675	0.06	3.031	0.469	0.06	0.688	TS
		42.862	17.145	1.52	76.992	11.908	1.52	17.462	
12175	12303	1.750	0.675	0.06	3.031	0.469	0.06	0.688	TS
		44.450	17.145	1.52	76.992	11.908	1.52	17.462	
12580	12520	0.813	0.781	0.06	1.938	0.625	0.06	0.781	TS
		20.638	19.845	1.52	49.225	15.875	1.52	19.845	
M12648	M12610	0.875	0.720	0.05	1.969	0.550	0.05	0.690	TS
		22.225	18.288	1.27	50.005	13.970	1.27	17.526	
M12649	M12610	0.844	0.720	0.05	1.969	0.550	0.05	0.690	TS
		21.430	18.288	1.27	50.005	13.970	1.27	17.526	
LM12749	LM12710	0.866	0.655	0.05	1.781	0.475	0.05	0.610	TS
		21.987	16.637	1.27	45.237	12.065	1.27	15.494	
LM12749	LM12711	0.866	0.655	0.05	1.810	0.475	0.05	0.610	TS
		21.987	16.637	1.27	45.975	12.065	1.27	15.494	
JP13049	JP13010	5.118	1.063	0.12	7.284	0.827	0.12	1.142	TS
		130.000	27.000	3.05	185.000	21.000	3.05	29.000	
JP13049	JP13010-B	5.118	1.063	0.12	7.284	0.827	0.12	0.512	TSF
		130.000	27.000	3.05	185.000	21.000	3.05	13.000	
13175	13318	1.750	0.688	0.01	3.188	0.563	0.06	0.750	TS
		44.450	17.462	0.13	80.962	14.288	1.52	19.050	
13685	13621	1.500	0.750	0.14	2.717	0.594	0.09	0.750	TS
		38.100	19.050	3.50	69.012	15.083	2.29	19.050	
13685	13621D	1.500	0.750	0.14	2.717	1.500	0.03	1.812	TDO
		38.100	19.050	3.50	69.012	38.100	0.76	46.035	
13686	13620	1.500	1.031	0.06	2.717	0.594	0.03	1.031	TS
		38.100	26.195	1.50	69.012	15.083	0.80	26.195	
13686	13621	1.500	1.031	0.06	2.717	0.594	0.09	1.031	TS
		38.100	26.195	1.50	69.012	15.083	2.30	26.195	
13686	13621A	1.500	1.031	0.06	2.717	0.564	0.09	1.001	TS
		38.100	26.195	1.50	69.012	14.321	2.30	25.433	
13686	13623X	1.500	1.031	0.06	2.717	0.727	0.02	1.164	TS
		38.100	26.195	1.50	69.012	18.463	0.40	29.576	
13686	13624	1.500	1.031	0.06	2.755	0.710	0.06	1.147	TS
		38.100	26.195	1.50	69.969	18.029	1.50	29.141	
13687	13620	1.500	0.750	0.08	2.717	0.594	0.03	0.750	TS
		38.100	19.050	2.03	69.012	15.083	0.76	19.050	
13687	13621	1.500	0.750	0.08	2.717	0.594	0.09	0.750	TS
		38.100	19.050	2.03	69.012	15.083	2.29	19.050	
13687	13621D	1.500	0.750	0.08	2.717	1.500	0.03	1.812	TDO
		38.100	19.050	2.03	69.012	38.100	0.76	46.035	
13889	13830	1.500	0.469	0.06	2.500	0.375	0.03	0.500	TS
		38.100	11.908	1.52	63.500	9.525	0.76	12.700	
13889	13836	1.500	0.469	0.06	2.563	0.375	0.03	0.500	TS
		38.100	11.908	1.52	65.088	9.525	0.76	12.700	

Numerical Listing

Part Number		Cone			Cup			Bearing	
Cone	Cup	Bore d	Width B	BF Radius R	OD D	Width C	BF Radius r	Width T / T1	Brg Type
JP14049	JP14010	5.512 140.000	1.063 27.000	0.12 3.05	7.677 195.000	0.827 21.000	0.12 3.05	1.142 29.000	TS
14116	14274	1.190 30.226	0.771 19.583	0.03 0.76	2.717 69.012	0.625 15.875	0.13 3.30	0.781 19.845	TS
14116	14276	1.190 30.226	0.771 19.583	0.03 0.76	2.717 69.012	0.625 15.875	0.05 1.27	0.781 19.845	TS
14116	14276-B	1.190 30.226	0.771 19.583	0.03 0.76	2.717 69.012	0.625 15.875	0.03 0.76	0.312 7.932	TSF
14116	14276D	1.190 30.226	0.771 19.583	0.03 0.76	2.717 69.012	1.500 38.100	0.03 0.76	1.813 46.040	TDO
14116	14283	1.190 30.226	0.771 19.583	0.03 0.76	2.838 72.085	0.725 18.415	0.09 2.29	0.881 22.385	TS
14117A	14276	1.181 30.000	0.771 19.583	0.14 3.50	2.717 69.012	0.625 15.875	0.05 1.27	0.781 19.845	TS
14117A	14276D	1.181 30.000	0.771 19.583	0.14 3.50	2.717 69.012	1.500 38.100	0.03 0.76	1.813 46.040	TDO
14123A	14272	1.250 31.750	1.052 26.721	0.17 4.30	2.717 69.012	0.563 14.288	0.13 3.30	1.031 26.187	TS
14123A	14273	1.250 31.750	1.052 26.721	0.17 4.30	2.717 69.012	0.668 16.954	SPCL	1.042 26.474	TS
14123A	14274	1.250 31.750	1.052 26.721	0.17 4.30	2.717 69.012	0.625 15.875	0.13 3.30	1.062 26.982	TS
14123A	14274A	1.250 31.750	1.052 26.721	0.17 4.30	2.715 68.956	0.625 15.875	0.13 3.30	1.062 26.982	TS
14123A	14274-S	1.250 31.750	1.052 26.721	0.17 4.30	2.965 75.311	0.625 15.875	0.13 3.30	1.062 26.982	TS
14123A	14275A	1.250 31.750	1.052 26.721	0.17 4.30	2.750 69.850	0.625 15.875	0.06 1.50	1.062 26.982	TS
14123A	14276	1.250 31.750	1.052 26.721	0.17 4.30	2.717 69.012	0.625 15.875	0.05 1.30	1.062 26.982	TS
14123A	14277	1.250 31.750	1.052 26.721	0.17 4.30	2.717 69.012	0.725 18.415	0.09 2.30	1.162 29.522	TS
14123A	14282	1.250 31.750	1.052 26.721	0.17 4.30	2.835 71.996	0.592 15.032	0.06 1.50	1.029 26.139	TS
14123A	14283	1.250 31.750	1.052 26.721	0.17 4.30	2.838 72.085	0.725 18.415	0.09 2.30	1.162 29.522	TS
14123A	14284	1.250 31.750	1.052 26.721	0.17 4.30	2.835 71.996	0.725 18.415	0.09 2.30	1.162 29.522	TS
14123A	14299	1.250 31.750	1.052 26.721	0.17 4.30	3.063 77.788	0.625 15.875	0.05 1.30	1.062 26.982	TS
14124	14276	1.250 31.750	0.771 19.583	0.03 0.76	2.717 69.012	0.625 15.875	0.05 1.27	0.781 19.845	TS
14124	14276D	1.250 31.750	0.771 19.583	0.03 0.76	2.717 69.012	1.500 38.100	0.03 0.76	1.813 46.040	TDO

Numerical Listing

Part Number		Cone			Cup			Bearing	Brg
Cone	Cup	Bore d	Width B	BF Radius R	OD D	Width C	BF Radius r	Width T / T1	Type
14125A	14276	1.250 31.750	0.771 19.583	0.14 3.50	2.717 69.012	0.625 15.875	0.05 1.27	0.781 19.845	TS
14125A	14276D	1.250 31.750	0.771 19.583	0.14 3.50	2.717 69.012	1.500 38.100	0.03 0.76	1.813 46.040	TDO
14130	14276	1.313 33.338	0.771 19.583	0.14 3.50	2.717 69.012	0.625 15.875	0.05 1.27	0.781 19.845	TS
14130	14276D	1.313 33.338	0.771 19.583	0.14 3.50	2.717 69.012	1.500 38.100	0.03 0.76	1.813 46.040	TDO
14131	14276	1.313 33.338	0.771 19.583	0.03 0.76	2.717 69.012	0.625 15.875	0.05 1.27	0.781 19.845	TS
14131	14276D	1.313 33.338	0.771 19.583	0.03 0.76	2.717 69.012	1.500 38.100	0.03 0.76	1.813 46.040	TDO
14136A	14272	1.375 34.925	1.052 26.721	0.03 0.80	2.717 69.012	0.563 14.288	0.13 3.30	1.031 26.187	TS
14136A	14273	1.375 34.925	1.052 26.721	0.03 0.80	2.717 69.012	0.668 16.954	SPCL	1.042 26.474	TS
14136A	14274	1.375 34.925	1.052 26.721	0.03 0.80	2.717 69.012	0.625 15.875	0.13 3.30	1.062 26.982	TS
14136A	14274A	1.375 34.925	1.052 26.721	0.03 0.80	2.715 68.956	0.625 15.875	0.13 3.30	1.062 26.982	TS
14136A	14274-S	1.375 34.925	1.052 26.721	0.03 0.80	2.965 75.311	0.625 15.875	0.13 3.30	1.062 26.982	TS
14136A	14275A	1.375 34.925	1.052 26.721	0.03 0.80	2.750 69.850	0.625 15.875	0.06 1.50	1.062 26.982	TS
14136A	14276	1.375 34.925	1.052 26.721	0.03 0.80	2.717 69.012	0.625 15.875	0.05 1.30	1.062 26.982	TS
14136A	14277	1.375 34.925	1.052 26.721	0.03 0.80	2.717 69.012	0.725 18.415	0.09 2.30	1.162 29.522	TS
14136A	14282	1.375 34.925	1.052 26.721	0.03 0.80	2.835 71.996	0.592 15.032	0.06 1.50	1.029 26.139	TS
14136A	14283	1.375 34.925	1.052 26.721	0.03 0.80	2.838 72.085	0.725 18.415	0.09 2.30	1.162 29.522	TS
14136A	14284	1.375 34.925	1.052 26.721	0.03 0.80	2.835 71.996	0.725 18.415	0.09 2.30	1.162 29.522	TS
14136A	14299	1.375 34.925	1.052 26.721	0.03 0.80	3.063 77.788	0.625 15.875	0.05 1.30	1.062 26.982	TS
14136AA	14272	1.375 34.925	1.052 26.721	0.03 0.80	2.717 69.012	0.563 14.288	0.13 3.30	1.031 26.187	TS
14136AA	14273	1.375 34.925	1.052 26.721	0.03 0.80	2.717 69.012	0.668 16.954	SPCL	1.042 26.474	TS
14136AA	14274	1.375 34.925	1.052 26.721	0.03 0.80	2.717 69.012	0.625 15.875	0.13 3.30	1.062 26.982	TS
14136AA	14274A	1.375 34.925	1.052 26.721	0.03 0.80	2.715 68.956	0.625 15.875	0.13 3.30	1.062 26.982	TS

Numerical Listing

Part Number		Cone			Cup			Bearing	
Cone	Cup	Bore d	Width B	BF Radius R	OD D	Width C	BF Radius r	Width T / T1	Brg Type
14136AA	14274-S	1.375	1.052	0.03	2.965	0.625	0.13	1.062	TS
		34.925	26.721	0.80	75.311	15.875	3.30	26.982	
14136AA	14275A	1.375	1.052	0.03	2.750	0.625	0.06	1.062	TS
		34.925	26.721	0.80	69.850	15.875	1.50	26.982	
14136AA	14276	1.375	1.052	0.03	2.717	0.625	0.05	1.062	TS
		34.925	26.721	0.80	69.012	15.875	1.30	26.982	
14136AA	14277	1.375	1.052	0.03	2.717	0.725	0.09	1.162	TS
		34.925	26.721	0.80	69.012	18.415	2.30	29.522	
14136AA	14282	1.375	1.052	0.03	2.835	0.592	0.06	1.029	TS
		34.925	26.721	0.80	71.996	15.032	1.50	26.139	
14136AA	14283	1.375	1.052	0.03	2.838	0.725	0.09	1.162	TS
		34.925	26.721	0.80	72.085	18.415	2.30	29.522	
14136AA	14284	1.375	1.052	0.03	2.835	0.725	0.09	1.162	TS
		34.925	26.721	0.80	71.996	18.415	2.30	29.522	
14136AA	14299	1.375	1.052	0.03	3.063	0.625	0.05	1.062	TS
		34.925	26.721	0.80	77.788	15.875	1.30	26.982	
14137A	14276	1.375	0.771	0.06	2.717	0.625	0.05	0.781	TS
		34.925	19.583	1.52	69.012	15.875	1.27	19.845	
14137A	14276D	1.375	0.771	0.06	2.717	1.500	0.03	1.813	TDO
		34.925	19.583	1.52	69.012	38.100	0.76	46.040	
14138A	14276	1.375	0.771	0.14	2.717	0.625	0.05	0.781	TS
		34.925	19.583	3.50	69.012	15.875	1.27	19.845	
14138A	14276D	1.375	0.771	0.14	2.717	1.500	0.03	1.813	TDO
		34.925	19.583	3.50	69.012	38.100	0.76	46.040	
14139	14276	1.377	0.771	0.05	2.717	0.625	0.05	0.781	TS
		34.976	19.583	1.27	69.012	15.875	1.27	19.845	
14139	14276-B	1.377	0.771	0.05	2.717	0.625	0.03	0.312	TSF
		34.976	19.583	1.27	69.012	15.875	0.76	7.932	
14139	14276D	1.377	0.771	0.05	2.717	1.500	0.03	1.813	TDO
		34.976	19.583	1.27	69.012	38.100	0.76	46.040	
14585	14525	1.375	0.813	0.14	2.688	0.625	0.09	0.813	TS
		34.925	20.638	3.50	68.262	15.875	2.29	20.638	
15100	15245	1.000	0.813	0.14	2.441	0.563	0.05	0.750	TS
		25.400	20.638	3.50	62.000	14.288	1.27	19.050	
15100	15251D	1.000	0.813	0.14	2.500	1.438	0.03	1.813	TDO
		25.400	20.638	3.50	63.500	36.512	0.76	46.038	
15101	15243	1.000	0.813	0.03	2.438	0.563	0.08	0.750	TS
		25.400	20.638	0.76	61.912	14.288	2.03	19.050	
15101	15244	1.000	0.813	0.03	2.441	0.625	0.05	0.813	TS
		25.400	20.638	0.76	62.000	15.875	1.27	20.638	
15101	15245	1.000	0.813	0.03	2.441	0.563	0.05	0.750	TS
		25.400	20.638	0.76	62.000	14.288	1.27	19.050	
15101	15250	1.000	0.813	0.03	2.500	0.625	0.05	0.813	TS
		25.400	20.638	0.76	63.500	15.875	1.27	20.638	

Numerical Listing

Part Number		Cone			Cup			Bearing	
Cone	Cup	Bore d	Width B	BF Radius R	OD D	Width C	BF Radius r	Width T / T1	Brg Type
15101	15250-B	1.000	0.813	0.03	2.500	0.625	0.05	0.344	TSF
		25.400	20.638	0.76	63.500	15.875	1.27	8.730	
15101	15250X	1.000	0.813	0.03	2.500	0.625	0.06	0.813	TS
		25.400	20.638	0.76	63.500	15.875	1.52	20.638	
15101	15251D	1.000	0.813	0.03	2.500	1.438	0.03	1.813	TDO
		25.400	20.638	0.76	63.500	36.512	0.76	46.038	
15102	15245	1.000	0.813	0.06	2.441	0.563	0.05	0.750	TS
		25.400	20.638	1.52	62.000	14.288	1.27	19.050	
15102	15251D	1.000	0.813	0.06	2.500	1.438	0.03	1.813	TDO
		25.400	20.638	1.52	63.500	36.512	0.76	46.038	
15103	15245	1.030	0.813	0.03	2.441	0.563	0.05	0.750	TS
		26.157	20.638	0.76	62.000	14.288	1.27	19.050	
15103	15251D	1.030	0.813	0.03	2.500	1.438	0.03	1.813	TDO
		26.157	20.638	0.76	63.500	36.512	0.76	46.038	
15103S	15243	1.030	0.785	0.03	2.438	0.563	0.08	0.750	TS
		26.162	19.939	0.80	61.912	14.288	2.00	19.050	
15103S	15244	1.030	0.785	0.03	2.441	0.625	0.05	0.813	TS
		26.162	19.939	0.80	62.000	15.875	1.30	20.638	
15103S	15245	1.030	0.785	0.03	2.441	0.563	0.05	0.750	TS
		26.162	19.939	0.80	62.000	14.288	1.30	19.050	
15103S	15249	1.030	0.785	0.03	2.500	0.625	0.06	0.813	TS
		26.162	19.939	0.80	63.500	15.875	1.50	20.638	
15103S	15250	1.030	0.785	0.03	2.500	0.625	0.05	0.813	TS
		26.162	19.939	0.80	63.500	15.875	1.30	20.638	
15103S	15250RB	1.030	0.785	0.03	2.500	0.625	0.05	0.813	TS
		26.162	19.939	0.80	63.500	15.875	1.30	20.638	
15103S	15250X	1.030	0.785	0.03	2.500	0.625	0.06	0.813	TS
		26.162	19.939	0.80	63.500	15.875	1.50	20.638	
15106	15245	1.063	0.813	0.03	2.441	0.563	0.05	0.750	TS
		26.987	20.638	0.76	62.000	14.288	1.27	19.050	
15106	15251D	1.063	0.813	0.03	2.500	1.438	0.03	1.813	TDO
		26.987	20.638	0.76	63.500	36.512	0.76	46.038	
15112	15245	1.125	0.813	0.14	2.441	0.563	0.05	0.750	TS
		28.575	20.638	3.50	62.000	14.288	1.27	19.050	
15112	15251D	1.125	0.813	0.14	2.500	1.438	0.03	1.813	TDO
		28.575	20.638	3.50	63.500	36.512	0.76	46.038	
15113	15245	1.125	0.813	0.03	2.441	0.563	0.05	0.750	TS
		28.575	20.638	0.76	62.000	14.288	1.27	19.050	
15113	15251D	1.125	0.813	0.03	2.500	1.438	0.03	1.813	TDO
		28.575	20.638	0.76	63.500	36.512	0.76	46.038	
15116	15245	1.186	0.813	0.03	2.441	0.563	0.05	0.750	TS
		30.112	20.638	0.76	62.000	14.288	1.27	19.050	
15116	15251D	1.186	0.813	0.03	2.500	1.438	0.03	1.813	TDO
		30.112	20.638	0.76	63.500	36.512	0.76	46.038	

Numerical Listing

Part Number		Cone			Cup			Bearing	
Cone	Cup	Bore d	Width B	BF Radius R	OD D	Width C	BF Radius r	Width T / T1	Brg Type
15117	15245	1.181	0.813	0.05	2.441	0.563	0.05	0.750	TS
		29.987	20.638	1.27	62.000	14.288	1.27	19.050	
15117	15251D	1.181	0.813	0.05	2.500	1.438	0.03	1.813	TDO
		29.987	20.638	1.27	63.500	36.512	0.76	46.038	
15118	15245	1.190	0.813	0.14	2.441	0.563	0.05	0.750	TS
		30.213	20.638	3.50	62.000	14.288	1.27	19.050	
15118	15251D	1.190	0.813	0.14	2.500	1.438	0.03	1.813	TDO
		30.213	20.638	3.50	63.500	36.512	0.76	46.038	
15119	15245	1.190	0.813	0.06	2.441	0.563	0.05	0.750	TS
		30.213	20.638	1.52	62.000	14.288	1.27	19.050	
15119	15251D	1.190	0.813	0.06	2.500	1.438	0.03	1.813	TDO
		30.213	20.638	1.52	63.500	36.512	0.76	46.038	
15120	15245	1.190	0.813	0.03	2.441	0.563	0.05	0.750	TS
		30.213	20.638	0.76	62.000	14.288	1.27	19.050	
15120	15251D	1.190	0.813	0.03	2.500	1.438	0.03	1.813	TDO
		30.213	20.638	0.76	63.500	36.512	0.76	46.038	
15123	15245	1.250	0.750	SPCL	2.441	0.563	0.05	0.715	TS
		31.750	19.050		62.000	14.288	1.27	18.161	
15123	15251D	1.250	0.750	SPCL	2.500	1.438	0.03	1.743	TDO
		31.750	19.050		63.500	36.512	0.76	44.259	
15125	15245	1.250	0.813	0.14	2.441	0.563	0.05	0.750	TS
		31.750	20.638	3.50	62.000	14.288	1.27	19.050	
15125	15250-B	1.250	0.813	0.14	2.500	0.625	0.05	0.344	TSF
		31.750	20.638	3.50	63.500	15.875	1.27	8.730	
15125	15251D	1.250	0.813	0.14	2.500	1.438	0.03	1.813	TDO
		31.750	20.638	3.50	63.500	36.512	0.76	46.038	
15126	15245	1.250	0.813	0.03	2.441	0.563	0.05	0.750	TS
		31.750	20.638	0.76	62.000	14.288	1.27	19.050	
15126	15251D	1.250	0.813	0.03	2.500	1.438	0.03	1.813	TDO
		31.750	20.638	0.76	63.500	36.512	0.76	46.038	
15578	15523	1.000	0.688	0.05	2.375	0.625	0.06	0.781	TS
		25.400	17.462	1.27	60.325	15.875	1.52	19.842	
15579X	15520	1.023	0.688	0.14	2.250	0.531	0.06	0.688	TS
		25.987	17.462	3.50	57.150	13.495	1.50	17.462	
15579X	15520RB	1.023	0.688	0.14	2.250	0.531	0.06	0.688	TS
		25.987	17.462	3.50	57.150	13.495	1.50	17.462	
15579X	15522A	1.023	0.688	0.14	2.344	0.594	0.13	0.766	TS
		25.987	17.462	3.50	59.530	15.083	3.30	19.446	
15579X	15523	1.023	0.688	0.14	2.375	0.625	0.06	0.781	TS
		25.987	17.462	3.50	60.325	15.875	1.50	19.842	
15579X	15523RB	1.023	0.688	0.14	2.375	0.625	0.06	0.781	TS
		25.987	17.462	3.50	60.325	15.875	1.50	19.842	
15580	15520-B	1.063	0.688	0.14	2.250	0.531	0.06	0.313	TSF
		26.987	17.462	3.50	57.150	13.495	1.52	7.938	

Numerical Listing

Part Number		Cone			Cup			Bearing	Brg
Cone	Cup	Bore d	Width B	BF Radius R	OD D	Width C	BF Radius r	Width T / T1	Type
15580	15523	1.063	0.688	0.14	2.375	0.625	0.06	0.781	TS
		26.987	17.462	3.50	60.325	15.875	1.52	19.842	
15590	15520	1.125	0.688	0.14	2.250	0.531	0.06	0.688	TS
		28.575	17.462	3.50	57.150	13.495	1.52	17.462	
15590	15520-B	1.125	0.688	0.14	2.250	0.531	0.06	0.322	TSF
		28.575	17.462	3.50	57.150	13.495	1.52	8.166	
15590	15523	1.125	0.688	0.14	2.375	0.625	0.06	0.781	TS
		28.575	17.462	3.50	60.325	15.875	1.52	19.842	
JP16049	JP16010	6.299	1.181	0.12	8.661	0.906	0.12	1.260	TS
		160.000	30.000	3.05	220.000	23.000	3.05	32.000	
16131	16283	1.313	0.813	0.14	2.844	0.750	0.09	0.938	TS
		33.338	20.638	3.50	72.238	19.050	2.30	23.812	
16137	16283	1.375	0.813	0.14	2.844	0.750	0.09	0.938	TS
		34.925	20.638	3.50	72.238	19.050	2.30	23.812	
16137	16284	1.375	0.813	0.14	2.844	0.625	0.05	0.813	TS
		34.925	20.638	3.50	72.238	15.875	1.27	20.638	
16143	16283	1.438	0.813	0.14	2.844	0.750	0.09	0.938	TS
		36.512	20.638	3.50	72.238	19.050	2.30	23.812	
16143	16284	1.438	0.813	0.14	2.844	0.625	0.05	0.813	TS
		36.512	20.638	3.50	72.238	15.875	1.27	20.638	
16150	16282	1.500	0.813	0.14	2.835	0.561	0.06	0.748	TS
		38.100	20.638	3.50	72.000	14.237	1.52	19.000	
16150	16283	1.500	0.813	0.14	2.844	0.750	0.09	0.938	TS
		38.100	20.638	3.50	72.238	19.050	2.30	23.812	
16150	16284	1.500	0.813	0.14	2.844	0.625	0.05	0.813	TS
		38.100	20.638	3.50	72.238	15.875	1.27	20.638	
16150	16284-B	1.500	0.813	0.14	2.844	0.625	0.03	0.344	TSF
		38.100	20.638	3.50	72.238	15.875	0.76	8.733	
16151	16283	1.500	0.813	0.09	2.844	0.750	0.09	0.938	TS
		38.100	20.638	2.30	72.238	19.050	2.30	23.812	
J16154	16283	1.535	0.813	0.14	2.844	0.750	0.09	0.938	TS
		39.000	20.638	3.50	72.238	19.050	2.30	23.812	
JP17049	JP17010	6.693	1.181	0.12	9.055	0.906	0.12	1.260	TS
		170.000	30.000	3.05	230.000	23.000	3.05	32.000	
17098	17244	0.984	0.652	0.06	2.441	0.563	0.06	0.630	TS
		24.981	16.566	1.52	62.000	14.288	1.52	16.002	
17098	17245D	0.984	0.652	0.06	2.441	1.428	0.03	1.563	TDO
		24.981	16.566	1.52	62.000	36.258	0.76	39.688	
17118	17244	1.181	0.652	0.06	2.441	0.563	0.06	0.630	TS
		29.987	16.566	1.52	62.000	14.288	1.52	16.002	
17118	17244-B	1.181	0.652	0.06	2.441	0.563	0.06	0.208	TSF
		29.987	16.566	1.52	62.000	14.288	1.52	5.270	
17118	17245D	1.181	0.652	0.06	2.441	1.428	0.03	1.563	TDO
		29.987	16.566	1.52	62.000	36.258	0.76	39.688	

Numerical Listing

Part Number		Cone			Cup			Bearing	
Cone	Cup	Bore d	Width B	BF Radius R	OD D	Width C	BF Radius r	Width T / T1	Brg Type
17119	17244	1.188	0.652	0.06	2.441	0.563	0.06	0.630	TS
		30.162	16.566	1.52	62.000	14.288	1.52	16.002	
17119	17244-B	1.188	0.652	0.06	2.441	0.563	0.06	0.208	TSF
		30.162	16.566	1.52	62.000	14.288	1.52	5.270	
17119	17245D	1.188	0.652	0.06	2.441	1.428	0.03	1.563	TDO
		30.162	16.566	1.52	62.000	36.258	0.76	39.688	
17580	17520	0.625	0.656	0.06	1.688	0.531	0.06	0.656	TS
		15.875	16.670	1.52	42.862	13.495	1.52	16.670	
17883	17830	1.563	1.234	0.15	3.125	0.625	0.08	1.234	TS
		39.688	31.354	3.80	79.375	15.875	2.00	31.354	
17884	17830	1.750	1.321	0.03	3.125	0.625	0.08	1.234	TS
		44.450	33.553	0.80	79.375	15.875	2.00	31.354	
17886	17830	1.692	0.813	0.06	3.125	0.625	0.08	0.813	TS
		42.987	20.638	1.50	79.375	15.875	2.00	20.638	
17887	17830	1.781	0.813	0.08	3.125	0.625	0.08	0.813	TS
		45.230	20.638	2.00	79.375	15.875	2.00	20.638	
17887	17831	1.781	0.813	0.08	3.149	0.594	0.05	0.781	TS
		45.230	20.638	2.03	79.985	15.080	1.27	19.842	
17888	17830	1.750	1.234	SPCL	3.125	0.625	0.08	1.234	TS
		44.450	31.354		79.375	15.875	2.00	31.354	
17888	17831	1.750	1.234	SPCL	3.149	0.594	0.05	1.203	TS
		44.450	31.354		79.985	15.080	1.27	30.559	
JP18049	JP18010-B	7.087	1.181	0.12	9.449	0.906	0.12	0.591	TSF
		180.000	30.000	3.05	240.000	23.000	3.05	15.000	
18200	18337	2.000	0.719	0.06	3.375	0.500	0.06	0.750	TS
		50.800	18.263	1.52	85.725	12.700	1.52	19.050	
18587	18520	1.563	0.688	0.03	2.875	0.500	0.06	0.656	TS
		39.688	17.462	0.76	73.025	12.700	1.52	16.667	
18590	18520	1.625	0.688	0.14	2.875	0.500	0.06	0.656	TS
		41.275	17.462	3.50	73.025	12.700	1.52	16.667	
18685	18620	1.750	0.688	0.11	3.125	0.531	0.06	0.688	TS
		44.450	17.462	2.79	79.375	13.495	1.52	17.462	
18685	18620D	1.750	0.688	0.11	3.125	1.313	0.03	1.625	TDO
		44.450	17.462	2.79	79.375	33.338	0.76	41.272	
18690	18620	1.813	0.688	0.11	3.125	0.531	0.06	0.688	TS
		46.038	17.462	2.79	79.375	13.495	1.52	17.462	
18690	18620D	1.813	0.688	0.11	3.125	1.313	0.03	1.625	TDO
		46.038	17.462	2.79	79.375	33.338	0.76	41.272	
18780	18720	1.813	0.688	0.09	3.347	0.531	0.06	0.688	TS
		46.038	17.462	2.30	85.000	13.495	1.50	17.462	
18780	18721	1.813	0.688	0.09	3.280	0.531	0.03	0.688	TS
		46.038	17.462	2.30	83.312	13.495	0.80	17.462	
18780	18723	1.813	0.688	0.09	3.500	0.656	0.05	0.813	TS
		46.038	17.462	2.30	88.900	16.670	1.30	20.638	

Numerical Listing

Part Number		Cone			Cup			Bearing	Brg
Cone	Cup	Bore d	Width B	BF Radius R	OD D	Width C	BF Radius r	Width T / T1	Type
18780	18724	1.813 46.038	0.688 17.462	0.09 2.30	3.500 88.900	0.531 13.495	0.05 1.30	0.688 17.462	TS
18790	18720	2.000 50.800	0.688 17.462	0.14 3.50	3.347 85.000	0.531 13.495	0.06 1.52	0.688 17.462	TS
18790	18724	2.000 50.800	0.688 17.462	0.14 3.50	3.500 88.900	0.531 13.495	0.05 1.27	0.688 17.462	TS
19138	19283	1.377 34.976	0.650 16.520	0.06 1.52	2.835 72.000	0.563 14.288	0.06 1.52	0.670 17.018	TS
19145D	19268	1.438 36.512	1.500 38.100	0.03 0.76	2.688 68.262	0.469 11.908	0.06 1.52	1.449 36.810	TDI
19145D	19281	1.438 36.512	1.500 38.100	0.03 0.76	2.813 71.438	0.469 11.908	0.04 1.02	1.449 36.810	TDI
19145D	19283	1.438 36.512	1.500 38.100	0.03 0.76	2.835 72.000	0.563 14.288	0.06 1.52	1.539 39.096	TDI
19150	19268	1.500 38.100	0.650 16.520	0.06 1.52	2.688 68.262	0.469 11.908	0.06 1.52	0.625 15.875	TS
19150	19268-B	1.500 38.100	0.650 16.520	0.06 1.52	2.688 68.262	0.469 11.908	0.06 1.52	0.297 7.539	TSF
19150	19281	1.500 38.100	0.650 16.520	0.06 1.52	2.813 71.438	0.469 11.908	0.04 1.02	0.625 15.875	TS
19150	19283	1.500 38.100	0.650 16.520	0.06 1.52	2.835 72.000	0.563 14.288	0.06 1.52	0.670 17.018	TS
19150	19283-B	1.500 38.100	0.650 16.520	0.06 1.52	2.835 72.000	0.563 14.288	0.06 1.52	0.248 6.287	TSF
21075	21212	0.750 19.050	0.860 21.839	0.06 1.52	2.125 53.975	0.625 15.875	0.09 2.29	0.875 22.225	TS
L21549	L21511	0.625 15.875	0.433 11.000	0.05 1.27	1.378 34.988	0.343 8.712	0.05 1.27	0.433 10.998	TS
22780	22720	1.688 42.862	1.063 26.988	0.14 3.50	3.250 82.550	0.813 20.638	0.13 3.30	1.031 26.195	TS
23092	23256	0.938 23.812	0.845 21.463	0.06 1.52	2.563 65.088	0.625 15.875	0.06 1.52	0.875 22.225	TS
23100	23256	1.000 25.400	0.845 21.463	0.06 1.52	2.563 65.088	0.625 15.875	0.06 1.52	0.875 22.225	TS
23491	23420	1.250 31.750	1.063 26.988	0.06 1.52	2.688 68.262	0.875 22.225	0.06 1.52	1.063 26.988	TS
23690	23620	1.375 34.925	1.062 26.975	0.14 3.50	2.875 73.025	0.875 22.225	0.06 1.52	1.063 26.988	TS
24780	24720	1.625 41.275	0.906 23.020	0.14 3.50	3.000 76.200	0.688 17.462	0.03 0.76	0.875 22.225	TS
24780	24720D	1.625 41.275	0.906 23.020	0.14 3.50	3.000 76.200	1.563 39.688	0.03 0.76	1.938 49.212	TDO
24780	24721	1.625 41.275	0.906 23.020	0.14 3.50	3.000 76.200	0.813 20.638	0.09 2.30	1.000 25.400	TS

Numerical Listing

Part Number		Cone			Cup			Bearing	
Cone	Cup	Bore d	Width B	BF Radius R	OD D	Width C	BF Radius r	Width T / T1	Brg Type
24781	24721	1.625	0.906	0.03	3.000	0.813	0.09	1.000	TS
		41.275	23.020	0.80	76.200	20.638	2.30	25.400	
25570	25520	1.438	1.000	0.14	3.265	0.750	0.03	0.938	TS
		36.512	25.400	3.50	82.931	19.050	0.76	23.812	
25570	25520D	1.438	1.000	0.14	3.265	1.875	0.03	2.250	TDO
		36.512	25.400	3.50	82.931	47.625	0.76	57.150	
25572	25520	1.500	1.000	0.03	3.265	0.750	0.03	0.938	TS
		38.100	25.400	0.76	82.931	19.050	0.76	23.812	
25572	25520D	1.500	1.000	0.03	3.265	1.875	0.03	2.250	TDO
		38.100	25.400	0.76	82.931	47.625	0.76	57.150	
25577	25520	1.688	1.000	0.14	3.265	0.750	0.03	0.938	TS
		42.875	25.400	3.50	82.931	19.050	0.76	23.812	
25577	25520D	1.688	1.000	0.14	3.265	1.875	0.03	2.250	TDO
		42.875	25.400	3.50	82.931	47.625	0.76	57.150	
25578	25520	1.688	1.000	0.09	3.265	0.750	0.03	0.938	TS
		42.862	25.400	2.29	82.931	19.050	0.76	23.812	
25578	25520D	1.688	1.000	0.09	3.265	1.875	0.03	2.250	TDO
		42.862	25.400	2.29	82.931	47.625	0.76	57.150	
25580	25520	1.750	1.000	0.14	3.265	0.750	0.03	0.938	TS
		44.450	25.400	3.50	82.931	19.050	0.76	23.812	
25580	25520D	1.750	1.000	0.14	3.265	1.875	0.03	2.250	TDO
		44.450	25.400	3.50	82.931	47.625	0.76	57.150	
25581	25520	1.750	1.000	0.02	3.265	0.750	0.03	0.938	TS
		44.450	25.400	0.51	82.931	19.050	0.76	23.812	
25581	25520D	1.750	1.000	0.02	3.265	1.875	0.03	2.250	TDO
		44.450	25.400	0.51	82.931	47.625	0.76	57.150	
25582	25520	1.750	1.000	0.20	3.265	0.750	0.03	0.938	TS
		44.450	25.400	5.00	82.931	19.050	0.76	23.812	
25582	25520D	1.750	1.000	0.20	3.265	1.875	0.03	2.250	TDO
		44.450	25.400	5.00	82.931	47.625	0.76	57.150	
25583	25547RB	1.750	1.413	SPCL	3.937	0.813	0.02	1.413	TS
		44.450	35.878		99.995	20.638	0.50	35.877	
25584	25520	1.771	1.000	0.06	3.265	0.750	0.03	0.938	TS
		44.983	25.400	1.52	82.931	19.050	0.76	23.812	
25584	25520D	1.771	1.000	0.06	3.265	1.875	0.03	2.250	TDO
		44.983	25.400	1.52	82.931	47.625	0.76	57.150	
25590	25519	1.796	1.000	0.14	3.250	0.750	0.08	0.938	TS
		45.618	25.400	3.50	82.550	19.050	2.03	23.812	
25590	25520	1.796	1.000	0.14	3.265	0.750	0.03	0.938	TS
		45.618	25.400	3.50	82.931	19.050	0.76	23.812	
25590	25520D	1.796	1.000	0.14	3.265	1.875	0.03	2.250	TDO
		45.618	25.400	3.50	82.931	47.625	0.76	57.150	
25590	25521	1.796	1.000	0.14	3.270	0.750	0.13	0.938	TS
		45.618	25.400	3.50	83.058	19.050	3.30	23.812	

Numerical Listing

Part Number		Cone			Cup			Bearing	Brg
Cone	Cup	Bore d	Width B	BF Radius R	OD D	Width C	BF Radius r	Width T / T1	Type
25590	25522	1.796	1.000	0.14	3.270	0.753	0.08	0.940	TS
		45.618	25.400	3.50	83.058	19.114	2.03	23.876	
25590	25523	1.796	1.000	0.14	3.265	0.875	0.09	1.063	TS
		45.618	25.400	3.50	82.931	22.225	2.29	26.988	
25590	25526	1.796	1.000	0.14	3.347	0.750	0.09	0.938	TS
		45.618	25.400	3.50	85.000	19.050	2.29	23.812	
25592	25520	1.813	1.000	0.14	3.265	0.750	0.03	0.938	TS
		46.038	25.400	3.50	82.931	19.050	0.76	23.812	
25592	25520D	1.813	1.000	0.14	3.265	1.875	0.03	2.250	TDO
		46.038	25.400	3.50	82.931	47.625	0.76	57.150	
25877	25820	1.375	0.969	0.06	2.875	0.750	0.09	0.938	TS
		34.925	24.608	1.52	73.025	19.050	2.29	23.812	
25877	25821	1.375	0.969	0.06	2.875	0.750	0.03	0.938	TS
		34.925	24.608	1.52	73.025	19.050	0.76	23.812	
25878	25821	1.375	0.969	0.14	2.875	0.750	0.03	0.938	TS
		34.925	24.608	3.50	73.025	19.050	0.76	23.812	
25880	25821	1.437	0.969	0.06	2.875	0.750	0.03	0.938	TS
		36.487	24.608	1.52	73.025	19.050	0.76	23.812	
26112	26283	1.125	0.745	0.06	2.835	0.625	0.06	0.748	TS
		28.575	18.923	1.52	72.000	15.875	1.52	19.000	
26112	26283-S	1.125	0.745	0.06	2.835	0.625	0.08	0.748	TS
		28.575	18.923	1.52	72.000	15.875	2.03	19.000	
26118	26283	1.181	0.745	0.06	2.835	0.625	0.06	0.748	TS
		29.987	18.923	1.52	72.000	15.875	1.52	19.000	
26118	26334	1.181	0.745	0.06	3.347	0.625	0.06	0.748	TS
		29.987	18.923	1.52	85.000	15.875	1.52	19.000	
26877	26822	1.438	1.000	0.03	3.125	0.750	0.03	0.938	TS
		36.512	25.400	0.76	79.375	19.050	0.76	23.812	
26878	26822	1.500	1.000	0.03	3.125	0.750	0.03	0.938	TS
		38.100	25.400	0.76	79.375	19.050	0.76	23.812	
26880	26822	1.563	1.000	0.06	3.125	0.750	0.03	0.938	TS
		39.688	25.400	1.52	79.375	19.050	0.76	23.812	
26881	26822	1.563	1.000	0.14	3.125	0.750	0.03	0.938	TS
		39.688	25.400	3.50	79.375	19.050	0.76	23.812	
26882	26820	1.625	1.000	0.14	3.156	0.813	0.13	1.000	TS
		41.275	25.400	3.50	80.167	20.638	3.30	25.400	
26882	26822	1.625	1.000	0.14	3.125	0.750	0.03	0.938	TS
		41.275	25.400	3.50	79.375	19.050	0.76	23.812	
26882	26822A	1.625	1.000	0.14	3.125	0.750	0.09	0.938	TS
		41.275	25.400	3.50	79.375	19.050	2.29	23.812	
26882	26822-B	1.625	1.000	0.14	3.125	0.750	0.03	0.344	TSF
		41.275	25.400	3.50	79.375	19.050	0.76	8.733	
26882	26823	1.625	1.000	0.14	3.000	0.813	0.06	1.000	TS
		41.275	25.400	3.50	76.200	20.638	1.52	25.400	

Numerical Listing

Part Number		Cone			Cup			Bearing	
Cone	Cup	Bore d	Width B	BF Radius R	OD D	Width C	BF Radius r	Width T / T1	Brg Type
26882	26824	1.625	1.000	0.14	3.150	0.750	0.05	0.938	TS
		41.275	25.400	3.50	80.000	19.050	1.27	23.812	
26882T	26820	1.625	1.000	0.06	3.156	0.813	0.13	1.000	TS
		41.275	25.400	1.50	80.167	20.638	3.30	25.400	
26882T	26821	1.625	1.000	0.06	3.156	0.969	0.13	1.156	TS
		41.275	25.400	1.50	80.167	24.608	3.30	29.370	
26882T	26822	1.625	1.000	0.06	3.125	0.750	0.03	0.938	TS
		41.275	25.400	1.50	79.375	19.050	0.80	23.812	
26882T	26822A	1.625	1.000	0.06	3.125	0.750	0.09	0.938	TS
		41.275	25.400	1.50	79.375	19.050	2.30	23.812	
26882T	26823	1.625	1.000	0.06	3.000	0.813	0.06	1.000	TS
		41.275	25.400	1.50	76.200	20.638	1.50	25.400	
26882T	26824	1.625	1.000	0.06	3.150	0.750	0.05	0.938	TS
		41.275	25.400	1.50	80.000	19.050	1.30	23.812	
26882T	26830	1.625	1.000	0.06	3.156	0.813	0.03	1.000	TS
		41.275	25.400	1.50	80.167	20.638	0.80	25.400	
26882T	26831	1.625	1.000	0.06	3.484	0.813	0.03	1.000	TS
		41.275	25.400	1.50	88.500	20.638	0.80	25.400	
26883	26822	1.378	1.000	0.03	3.125	0.750	0.03	0.938	TS
		35.000	25.400	0.76	79.375	19.050	0.76	23.812	
26884	26822	1.688	1.000	0.14	3.125	0.750	0.03	0.938	TS
		42.875	25.400	3.50	79.375	19.050	0.76	23.812	
26884	26822-B	1.688	1.000	0.14	3.125	0.750	0.03	0.344	TSF
		42.875	25.400	3.50	79.375	19.050	0.76	8.733	
26885	26822	1.625	1.000	0.03	3.125	0.750	0.03	0.938	TS
		41.275	25.400	0.76	79.375	19.050	0.76	23.812	
26886	26822	1.688	1.000	0.06	3.125	0.750	0.03	0.938	TS
		42.875	25.400	1.52	79.375	19.050	0.76	23.812	
27684	27620	3.000	1.000	0.14	4.938	0.781	0.06	1.000	TS
		76.200	25.400	3.50	125.412	19.845	1.52	25.400	
27687	27620	3.250	1.000	0.14	4.938	0.781	0.06	1.000	TS
		82.550	25.400	3.50	125.412	19.845	1.52	25.400	
27689	27620	3.281	1.000	0.03	4.938	0.781	0.06	1.000	TS
		83.345	25.400	0.76	125.412	19.845	1.52	25.400	
27690	27620	3.281	1.000	0.14	4.938	0.781	0.06	1.000	TS
		83.345	25.400	3.50	125.412	19.845	1.52	25.400	
27690	27620-B	3.281	1.000	0.14	4.938	0.781	0.06	0.406	TSF
		83.345	25.400	3.50	125.412	19.845	1.52	10.317	
27691	27620	3.281	1.000	0.25	4.938	0.781	0.06	1.000	TS
		83.345	25.400	6.35	125.412	19.845	1.52	25.400	
27880	27820	1.500	0.933	0.03	3.151	0.729	0.06	0.969	TS
		38.100	23.698	0.76	80.035	18.512	1.52	24.608	
27880	27820D	1.500	0.933	0.03	3.151	1.770	0.03	2.250	TDO
		38.100	23.698	0.76	80.035	44.958	0.76	57.150	

Numerical Listing

Part Number		Cone			Cup			Bearing	Brg
Cone	Cup	Bore d	Width B	BF Radius R	OD D	Width C	BF Radius r	Width T / T1	Type
27881	27820	1.500 38.100	0.933 23.698	0.14 3.50	3.151 80.035	0.729 18.512	0.06 1.52	0.969 24.608	TS
27881	27820D	1.500 38.100	0.933 23.698	0.14 3.50	3.151 80.035	1.770 44.958	0.03 0.76	2.250 57.150	TDO
28150	28300	1.500 38.100	0.824 20.940	0.06 1.52	3.000 76.200	0.611 15.507	0.05 1.27	0.813 20.638	TS
28150	28315	1.500 38.100	0.824 20.940	0.06 1.52	3.150 80.000	0.625 15.875	0.06 1.52	0.827 21.006	TS
28150	28318D	1.500 38.100	0.824 20.940	0.06 1.52	3.151 80.035	1.375 34.925	0.03 0.76	1.813 46.040	TDO
28156	28300	1.574 39.980	0.774 19.650	0.09 2.30	3.000 76.200	0.611 15.507	0.05 1.30	0.762 19.347	TS
28156	28300X	1.574 39.980	0.774 19.650	0.09 2.30	3.000 76.200	0.610 15.494	0.06 1.50	0.761 19.334	TS
28156	28315	1.574 39.980	0.774 19.650	0.09 2.30	3.150 80.000	0.625 15.875	0.06 1.50	0.776 19.715	TS
28156	28317	1.574 39.980	0.774 19.650	0.09 2.30	3.151 80.035	0.625 15.875	0.06 1.50	0.793 20.142	TS
28158	28300	1.575 40.000	0.824 20.940	0.06 1.52	3.000 76.200	0.611 15.507	0.05 1.27	0.813 20.638	TS
28158	28318D	1.575 40.000	0.824 20.940	0.06 1.52	3.151 80.035	1.375 34.925	0.03 0.76	1.813 46.040	TDO
J28573	28527RB	1.654 42.000	1.000 25.400	0.03 0.80	3.937 99.995	0.781 19.845	0.02 0.50	0.969 24.608	TS
28576	28527RB	1.767 44.869	1.000 25.400	0.14 3.50	3.937 99.995	0.781 19.845	0.02 0.50	0.969 24.608	TS
J28577	28527RB	1.772 45.000	1.000 25.400	0.03 0.80	3.937 99.995	0.781 19.845	0.02 0.50	0.969 24.608	TS
28579	28520	1.968 49.987	1.000 25.400	0.09 2.29	3.543 89.980	0.787 19.987	0.09 2.29	0.974 24.750	TS
28579	28521	1.968 49.987	1.000 25.400	0.09 2.29	3.625 92.075	0.781 19.845	0.03 0.76	0.969 24.608	TS
28579	28527RB	1.968 49.987	1.000 25.400	0.09 2.30	3.937 99.995	0.781 19.845	0.02 0.50	0.969 24.608	TS
28580	28521	2.000 50.800	1.000 25.400	0.14 3.50	3.625 92.075	0.781 19.845	0.03 0.76	0.969 24.608	TS
28580	28527RB	2.000 50.800	1.000 25.400	0.14 3.50	3.937 99.995	0.781 19.845	0.02 0.50	0.969 24.608	TS
28580A	28521	2.000 50.800	1.000 25.400	0.03 0.76	3.625 92.075	0.781 19.845	0.03 0.76	0.969 24.608	TS
28580A	28527RB	2.000 50.800	1.000 25.400	0.03 0.80	3.937 99.995	0.781 19.845	0.02 0.50	0.969 24.608	TS
28584	28521	2.063 52.388	1.000 25.400	0.14 3.50	3.625 92.075	0.781 19.845	0.03 0.76	0.969 24.608	TS

Numerical Listing

Part Number		Cone			Cup			Bearing	Brg
Cone	Cup	Bore d	Width B	BF Radius R	OD D	Width C	BF Radius r	Width T / T1	Type
28584	28527RB	2.063	1.000	0.14	3.937	0.781	0.02	0.969	TS
		52.388	25.400	3.50	99.995	19.845	0.50	24.608	
28678	28622	2.000	0.969	0.14	3.844	0.766	0.03	0.969	TS
		50.800	24.608	3.50	97.630	19.446	0.76	24.608	
28680	28622	2.188	0.969	0.14	3.844	0.766	0.03	0.969	TS
		55.562	24.608	3.50	97.630	19.446	0.76	24.608	
28682	28622	2.250	0.969	0.14	3.844	0.766	0.03	0.969	TS
		57.150	24.608	3.50	97.630	19.446	0.76	24.608	
28682	28622-B	2.250	0.969	0.14	3.844	0.766	0.03	0.359	TSF
		57.150	24.608	3.50	97.630	19.446	0.76	9.124	
28880	28820	9.750	0.875	0.06	12.000	0.625	0.06	0.875	TS
		247.650	22.225	1.52	304.800	15.875	1.52	22.225	
28980	28920	2.361	1.000	0.14	4.000	0.781	0.13	1.000	TS
		59.977	25.400	3.50	101.600	19.845	3.30	25.400	
28980	28921	2.361	1.000	0.14	3.937	0.781	0.13	1.000	TS
		59.977	25.400	3.50	100.000	19.845	3.30	25.400	
28985	28919	2.375	1.000	0.14	3.936	0.750	0.06	0.969	TS
		60.325	25.400	3.50	99.979	19.050	1.52	24.605	
28985	28920	2.375	1.000	0.14	4.000	0.781	0.13	1.000	TS
		60.325	25.400	3.50	101.600	19.845	3.30	25.400	
28985	28921	2.375	1.000	0.14	3.937	0.781	0.13	1.000	TS
		60.325	25.400	3.50	100.000	19.845	3.30	25.400	
28985	28921D	2.375	1.000	0.14	3.937	1.750	0.03	2.187	TDO
		60.325	25.400	3.50	100.000	44.450	0.76	55.560	
28990	28920	2.440	0.969	0.08	4.000	0.781	0.13	0.969	TS
		61.976	24.608	2.03	101.600	19.845	3.30	24.608	
28990	28921D	2.440	0.969	0.08	3.937	1.750	0.03	2.125	TDO
		61.976	24.608	2.03	100.000	44.450	0.76	53.975	
28995	28920	2.470	1.000	0.14	4.000	0.781	0.13	1.000	TS
		62.738	25.400	3.50	101.600	19.845	3.30	25.400	
28995	28921D	2.470	1.000	0.14	3.937	1.750	0.03	2.187	TDO
		62.738	25.400	3.50	100.000	44.450	0.76	55.560	
29580	29520	2.362	1.000	0.14	4.250	0.750	0.13	1.000	TS
		60.000	25.400	3.50	107.950	19.050	3.30	25.400	
29582	29520	2.362	1.000	0.03	4.250	0.750	0.13	1.000	TS
		60.000	25.400	0.76	107.950	19.050	3.30	25.400	
29585	29520	2.500	1.000	0.14	4.250	0.750	0.13	1.000	TS
		63.500	25.400	3.50	107.950	19.050	3.30	25.400	
29585	29521	2.500	1.000	0.14	4.331	0.750	0.05	1.000	TS
		63.500	25.400	3.50	110.000	19.050	1.27	25.400	
29585	29522	2.500	1.000	0.14	4.250	0.750	0.03	1.000	TS
		63.500	25.400	3.50	107.950	19.050	0.76	25.400	
29586	29520	2.500	1.000	0.06	4.250	0.750	0.13	1.000	TS
		63.500	25.400	1.52	107.950	19.050	3.30	25.400	

bearing
specification:
0010110111011100110101
0010110111011100110101

TIMKEN®

Numerical Listing

Part Number		Cone			Cup			Bearing	Brg
Cone	Cup	Bore d	Width B	BF Radius R	OD D	Width C	BF Radius r	Width T / T1	Type
29590	29520	2.625 66.675	1.000 25.400	0.14 3.50	4.250 107.950	0.750 19.050	0.13 3.30	1.000 25.400	TS
29675	29620	2.750 69.850	1.000 25.400	0.06 1.52	4.438 112.712	0.750 19.050	0.13 3.30	1.000 25.400	TS
29675	29620-B	2.750 69.850	1.000 25.400	0.06 1.52	4.438 112.712	0.750 19.050	0.13 3.30	0.406 10.320	TSF
29675	29622D	2.750 69.850	1.000 25.400	0.06 1.52	4.500 114.287	1.813 46.038	0.03 0.76	2.313 58.738	TDO
29675	29630	2.750 69.850	1.000 25.400	0.06 1.52	4.750 120.650	0.750 19.050	0.13 3.30	1.000 25.400	TS
29680	29620	2.781 70.637	1.000 25.400	0.05 1.27	4.438 112.712	0.750 19.050	0.13 3.30	1.000 25.400	TS
29680	29622D	2.781 70.637	1.000 25.400	0.05 1.27	4.500 114.287	1.813 46.038	0.03 0.76	2.313 58.738	TDO
29685	29620	2.875 73.025	1.000 25.400	0.14 3.50	4.438 112.712	0.750 19.050	0.13 3.30	1.000 25.400	TS
29685	29622D	2.875 73.025	1.000 25.400	0.14 3.50	4.500 114.287	1.813 46.038	0.03 0.76	2.313 58.738	TDO
29688	29620	2.906 73.817	1.000 25.400	0.06 1.52	4.438 112.712	0.750 19.050	0.13 3.30	1.000 25.400	TS
29688	29620-B	2.906 73.817	1.000 25.400	0.06 1.52	4.438 112.712	0.750 19.050	0.13 3.30	0.406 10.320	TSF
29688	29622D	2.906 73.817	1.000 25.400	0.06 1.52	4.500 114.287	1.813 46.038	0.03 0.76	2.313 58.738	TDO
LM29748	LM29710	1.500 38.100	0.720 18.288	SPCL	2.563 65.088	0.550 13.970	0.05 1.27	0.710 18.034	TS
LM29749	LM29710	1.500 38.100	0.720 18.288	0.09 2.29	2.563 65.088	0.550 13.970	0.05 1.27	0.710 18.034	TS
LM29749	LM29711	1.500 38.100	0.720 18.288	0.09 2.29	2.563 65.088	0.620 15.748	0.05 1.27	0.780 19.812	TS
30203	-	0.669 17.000	0.472 12.000	0.04 1.02	1.575 40.000	0.433 11.000	0.04 1.02	0.522 13.250	TS
30204	-	0.787 20.000	0.551 14.000	0.04 1.00	1.850 47.000	0.472 12.000	0.04 1.00	0.600 15.250	TS
30204M	-	0.787 20.000	0.551 14.000	0.04 1.00	1.850 47.000	0.472 12.000	0.04 1.00	0.600 15.250	TS
30205	-	0.984 25.000	0.591 15.000	0.04 1.00	2.047 52.000	0.512 13.000	0.04 1.00	0.640 16.250	TS
30205M	-	0.984 25.000	0.591 15.000	0.04 1.00	2.047 52.000	0.512 13.000	0.04 1.00	0.640 16.250	TS
XAA30205	Y30205	0.984 25.000	0.591 15.000	0.16 4.00	2.047 52.000	0.512 13.000	0.04 1.02	0.640 16.250	TS
XAA30205	YAA30205	0.984 25.000	0.591 15.000	0.16 4.00	2.047 52.000	0.512 13.000	0.06 1.52	0.640 16.250	TS

Numerical Listing

Part Number		Cone			Cup			Bearing	
Cone	Cup	Bore d	Width B	BF Radius R	OD D	Width C	BF Radius r	Width T / T1	Brg Type
30206	-	1.181 30.000	0.630 16.000	0.04 1.00	2.441 62.000	0.551 14.000	0.04 1.00	0.679 17.250	TS
30206M	-	1.181 30.000	0.630 16.000	0.04 1.00	2.441 62.000	0.551 14.000	0.04 1.00	0.679 17.250	TS
30207	-	1.378 35.000	0.669 17.000	0.06 1.50	2.835 72.000	0.591 15.000	0.06 1.50	0.719 18.250	TS
30207M	-	1.378 35.000	0.669 17.000	0.06 1.50	2.835 72.000	0.591 15.000	0.06 1.50	0.719 18.250	TS
30208	-	1.575 40.000	0.709 18.000	0.06 1.50	3.150 80.000	0.630 16.000	0.06 1.50	0.778 19.750	TS
30208M	-	1.575 40.000	0.709 18.000	0.06 1.50	3.150 80.000	0.630 16.000	0.06 1.50	0.778 19.750	TS
30209M	-	1.772 45.000	0.748 19.000	0.06 1.50	3.347 85.000	0.630 16.000	0.06 1.50	0.817 20.750	TS
30210	-	1.969 50.000	0.787 20.000	0.06 1.50	3.543 90.000	0.669 17.000	0.06 1.50	0.856 21.750	TS
30210M	-	1.969 50.000	0.787 20.000	0.06 1.50	3.543 90.000	0.669 17.000	0.06 1.50	0.856 21.750	TS
30211	-	2.165 55.000	0.827 21.000	0.08 2.00	3.937 100.000	0.709 18.000	0.06 1.50	0.896 22.750	TS
30211M	-	2.165 55.000	0.827 21.000	0.08 2.00	3.937 100.000	0.709 18.000	0.06 1.50	0.896 22.750	TS
30212M	-	2.362 60.000	0.866 22.000	0.08 2.03	4.331 110.000	0.748 19.000	0.06 1.52	0.935 23.750	TS
30213M	-	2.559 65.000	0.906 23.000	0.08 2.03	4.724 120.000	0.787 20.000	0.06 1.52	0.974 24.750	TS
30214	-	2.756 70.000	0.945 24.000	0.08 2.03	4.921 125.000	0.827 21.000	0.06 1.52	1.034 26.250	TS
30215M	-	2.953 75.000	0.984 25.000	0.08 2.03	5.118 130.000	0.866 22.000	0.06 1.52	1.073 27.250	TS
30216M	-	3.150 80.000	1.024 26.000	0.10 2.54	5.512 140.000	0.866 22.000	0.08 2.03	1.112 28.250	TS
30217M	-	3.347 85.000	1.102 28.000	0.10 2.54	5.906 150.000	0.945 24.000	0.08 2.03	1.201 30.500	TS
30218M	-	3.543 90.000	1.181 30.000	0.10 2.54	6.299 160.000	1.024 26.000	0.08 2.03	1.280 32.500	TS
30219M	-	3.740 95.000	1.260 32.000	0.12 3.05	6.693 170.000	1.063 27.000	0.10 2.54	1.358 34.500	TS
30220M	-	3.937 100.000	1.339 34.000	0.12 3.05	7.087 180.000	1.142 29.000	0.10 2.54	1.457 37.000	TS
30221M	-	4.134 105.000	1.417 36.000	0.12 3.05	7.480 190.000	1.181 30.000	0.10 2.54	1.535 39.000	TS
30222M	-	4.331 110.000	1.496 38.000	0.12 3.05	7.874 200.000	1.260 32.000	0.10 2.54	1.614 41.000	TS

bearing
specification:
001011011110111001110101
001011011110111001110101

TIMKEN®

Numerical Listing

Part Number		Cone			Cup			Bearing	Brg Type
Cone	Cup	Bore d	Width B	BF Radius R	OD D	Width C	BF Radius r	Width T / T1	
30224M	-	4.724	1.575	0.12	8.465	1.339	0.10	1.713	TS
		120.000	40.000	3.05	215.000	34.000	2.54	43.500	
30226M	-	5.118	1.575	0.16	9.055	1.339	0.12	1.722	TS
		130.000	40.000	4.00	230.000	34.000	3.05	43.750	
30228M	-	5.512	1.654	0.16	9.843	1.417	0.12	1.801	TS
		140.000	42.000	4.00	250.000	36.000	3.05	45.750	
30230M	-	5.906	1.772	0.16	10.630	1.496	0.12	1.929	TS
		150.000	45.000	4.00	270.000	38.000	3.05	49.000	
30302	-	0.591	0.512	0.04	1.654	0.433	0.04	0.561	TS
		15.000	13.000	1.02	42.000	11.000	1.02	14.250	
30303	-	0.669	0.551	0.04	1.850	0.472	0.04	0.600	TS
		17.000	14.000	1.02	47.000	12.000	1.02	15.250	
30304	-	0.787	0.591	0.06	2.047	0.512	0.06	0.640	TS
		20.000	15.000	1.52	52.000	13.000	1.52	16.250	
30305	-	0.984	0.669	0.06	2.441	0.591	0.06	0.719	TS
		25.000	17.000	1.50	62.000	15.000	1.50	18.250	
30305M	-	0.984	0.669	0.06	2.441	0.591	0.06	0.719	TS
		25.000	17.000	1.50	62.000	15.000	1.50	18.250	
30306	-	1.181	0.748	0.06	2.835	0.630	0.06	0.817	TS
		30.000	19.000	1.50	72.000	16.000	1.50	20.749	
30306M	-	1.181	0.748	0.06	2.835	0.630	0.06	0.817	TS
		30.000	19.000	1.52	72.000	16.000	1.52	20.750	
30307	-	1.378	0.827	0.08	3.150	0.709	0.06	0.896	TS
		35.000	21.000	2.00	80.000	18.000	1.50	22.751	
30307M	-	1.378	0.827	0.08	3.150	0.709	0.06	0.896	TS
		35.000	21.000	2.00	80.000	18.000	1.50	22.750	
30308	-	1.575	0.906	0.08	3.543	0.787	0.06	0.994	TS
		40.000	23.000	2.00	90.000	20.000	1.50	25.250	
30308M	-	1.575	0.906	0.08	3.543	0.787	0.06	0.994	TS
		40.000	23.000	2.00	90.000	20.000	1.50	25.250	
30309	-	1.772	0.984	0.08	3.937	0.866	0.06	1.073	TS
		45.000	25.000	2.00	100.000	22.000	1.50	27.249	
30309M	-	1.772	0.984	0.08	3.937	0.866	0.06	1.073	TS
		45.000	25.000	2.00	100.000	22.000	1.50	27.250	
30310	-	1.969	1.063	0.10	4.331	0.906	0.08	1.152	TS
		50.000	27.000	2.54	110.000	23.000	2.03	29.250	
30311	-	2.165	1.142	0.10	4.724	0.984	0.08	1.240	TS
		55.000	29.000	2.54	120.000	25.000	2.03	31.500	
30312	-	2.362	1.221	0.12	5.118	1.024	0.10	1.319	TS
		60.000	31.000	3.05	130.000	26.000	2.54	33.500	
30313	-	2.559	1.299	0.12	5.512	1.102	0.10	1.417	TS
		65.000	33.000	3.05	140.000	28.000	2.54	36.000	
30314	-	2.756	1.378	0.12	5.906	1.181	0.10	1.496	TS
		70.000	35.000	3.05	150.000	30.000	2.54	38.000	

Numerical Listing

Part Number		Cone			Cup			Bearing	Brg
Cone	Cup	Bore d	Width B	BF Radius R	OD D	Width C	BF Radius r	Width T / T1	Type
30315M	-	2.953 75.000	1.457 37.000	0.12 3.05	6.299 160.000	1.221 31.000	0.10 2.54	1.575 40.000	TS
30316M	-	3.150 80.000	1.535 39.000	0.12 3.05	6.693 170.000	1.299 33.000	0.10 2.54	1.673 42.500	TS
30317M	-	3.347 85.000	1.614 41.000	0.16 4.00	7.087 180.000	1.339 34.000	0.12 3.05	1.752 44.500	TS
31308	-	1.575 40.000	0.906 23.000	0.08 2.03	3.543 90.000	0.669 17.000	0.06 1.52	0.994 25.250	TS
31309M	-	1.772 45.000	0.984 25.000	0.08 2.00	3.937 100.000	0.709 18.000	0.06 1.52	1.073 27.250	TS
31310M	-	1.969 50.000	1.063 27.000	0.10 2.54	4.331 110.000	0.748 19.000	0.08 2.03	1.152 29.250	TS
31311M	-	2.165 55.000	1.142 29.000	0.10 2.54	4.724 120.000	0.827 21.000	0.08 2.03	1.240 31.500	TS
31312M	-	2.362 60.000	1.221 31.000	0.12 3.05	5.118 130.000	0.866 22.000	0.10 2.54	1.319 33.500	TS
31313M	-	2.559 65.000	1.299 33.000	0.12 3.05	5.512 140.000	0.906 23.000	0.10 2.54	1.417 36.000	TS
31314M	-	2.756 70.000	1.378 35.000	0.12 3.05	5.906 150.000	0.984 25.000	0.10 2.54	1.496 38.000	TS
31315M	-	2.953 75.000	1.457 37.000	0.12 3.05	6.299 160.000	1.024 26.000	0.10 2.54	1.575 40.000	TS
31318M	-	3.543 90.000	1.693 43.000	0.16 4.00	7.480 190.000	1.181 30.000	0.12 3.05	1.831 46.500	TS
31590	31520	1.313 33.338	1.125 28.575	0.03 0.76	3.000 76.200	0.938 23.812	0.13 3.30	1.156 29.370	TS
31593	31520	1.375 34.925	1.125 28.575	0.14 3.50	3.000 76.200	0.938 23.812	0.13 3.30	1.156 29.370	TS
31594	31520	1.375 34.925	1.125 28.575	0.06 1.52	3.000 76.200	0.938 23.812	0.13 3.30	1.156 29.370	TS
31594	31520-B	1.375 34.925	1.125 28.575	0.06 1.52	3.000 76.200	0.938 23.812	0.13 3.30	0.406 10.320	TSF
31594	31521	1.375 34.925	1.125 28.575	0.06 1.52	3.000 76.200	0.938 23.812	0.05 1.27	1.156 29.370	TS
31597	31520	1.438 36.512	1.125 28.575	0.14 3.50	3.000 76.200	0.938 23.812	0.13 3.30	1.156 29.370	TS
31597	31520-B	1.438 36.512	1.125 28.575	0.14 3.50	3.000 76.200	0.938 23.812	0.13 3.30	0.406 10.320	TSF
32004X	-	0.787 20.000	0.591 15.000	0.03 0.64	1.654 42.000	0.472 12.000	0.03 0.64	0.591 15.000	TS
XAA32004X	YAA32004X	0.787 20.000	0.591 15.000	0.08 2.03	1.654 42.000	0.472 12.000	0.04 1.02	0.591 15.000	TS
XAA32004X	Y32004X	0.787 20.000	0.591 15.000	0.08 2.03	1.654 42.000	0.472 12.000	0.03 0.64	0.591 15.000	TS

bearing
specification:
0010110111011100110101
0010110111011100110101



Numerical Listing

Part Number		Cone			Cup		Bearing	Brg	
Cone	Cup	Bore d	Width B	BF Radius R	OD D	Width C	BF Radius r	Width T / T1	Type
32005X	-	0.984	0.591	0.03	1.850	0.453	0.03	0.591	TS
		25.000	15.000	0.64	47.000	11.500	0.64	15.000	
XAA32005X	YAA32005X	0.984	0.591	0.13	1.850	0.453	0.04	0.591	TS
		25.000	15.000	3.30	47.000	11.500	1.02	15.000	
XAA32005X	Y32005X	0.984	0.591	0.13	1.850	0.453	0.03	0.591	TS
		25.000	15.000	3.30	47.000	11.500	0.64	15.000	
32006X	-	1.181	0.669	0.04	2.165	0.512	0.04	0.669	TS
		30.000	17.000	1.02	55.000	13.000	1.02	17.000	
32007X	-	1.378	0.709	0.04	2.441	0.551	0.04	0.709	TS
		35.000	18.000	1.02	62.000	14.000	1.02	18.000	
32007XM	-	1.378	0.709	0.04	2.441	0.551	0.04	0.709	TS
		35.000	18.000	1.00	62.000	14.000	1.00	18.000	
32008X	-	1.575	0.748	0.04	2.677	0.571	0.04	0.748	TS
		40.000	19.000	1.00	68.000	14.500	1.00	19.000	
XAA32008X	Y32008X	1.575	0.748	0.14	2.677	0.571	0.04	0.748	TS
		40.000	19.000	3.50	68.000	14.500	1.02	19.000	
32008XM	-	1.575	0.748	0.04	2.677	0.571	0.04	0.748	TS
		40.000	19.000	1.02	68.000	14.500	1.02	19.000	
32009X	-	1.772	0.787	0.04	2.953	0.610	0.04	0.787	TS
		45.000	20.000	1.00	75.000	15.500	1.00	20.000	
32009XM	-	1.772	0.787	0.04	2.953	0.610	0.04	0.787	TS
		45.000	20.000	1.02	75.000	15.500	1.02	20.000	
32010X	-	1.969	0.787	0.04	3.150	0.610	0.04	0.787	TS
		50.000	20.000	1.02	80.000	15.500	1.02	20.000	
XAA32010X	Y32010X	1.969	0.787	0.09	3.150	0.610	0.04	0.787	TS
		50.000	20.000	2.29	80.000	15.500	1.02	20.000	
32011X	-	2.165	0.906	0.06	3.543	0.689	0.06	0.906	TS
		55.000	23.000	1.52	90.000	17.500	1.52	23.000	
32011XM	-	2.165	0.906	0.06	3.543	0.689	0.06	0.906	TS
		55.000	23.000	1.52	90.000	17.500	1.52	23.000	
32012X	-	2.362	0.906	0.06	3.740	0.689	0.06	0.906	TS
		60.000	23.000	1.52	95.000	17.500	1.52	23.000	
32013X	-	2.559	0.906	0.06	3.937	0.689	0.06	0.906	TS
		65.000	23.000	1.52	100.000	17.500	1.52	23.000	
XAA32013X	Y32013X	2.559	0.906	0.20	3.937	0.689	0.06	0.906	TS
		65.000	23.000	5.00	100.000	17.500	1.52	23.000	
32014X	-	2.756	0.984	0.06	4.331	0.748	0.06	0.984	TS
		70.000	25.000	1.52	110.000	19.000	1.52	25.000	
32015X	-	2.953	0.984	0.06	4.528	0.748	0.06	0.984	TS
		75.000	25.000	1.52	115.000	19.000	1.52	25.000	
32016X	-	3.150	1.142	0.06	4.921	0.866	0.06	1.142	TS
		80.000	29.000	1.52	125.000	22.000	1.52	29.000	
32017X	-	3.347	1.142	0.06	5.118	0.866	0.06	1.142	TS
		85.000	29.000	1.52	130.000	22.000	1.52	29.000	

Numerical Listing

Part Number		Cone			Cup			Bearing	
Cone	Cup	Bore d	Width B	BF Radius R	OD D	Width C	BF Radius r	Width T / T1	Brg Type
32018X	-	3.543 90.000	1.260 32.000	0.08 2.03	5.512 140.000	0.945 24.000	0.06 1.52	1.260 32.000	TS
32019X	-	3.740 95.000	1.260 32.000	0.08 2.03	5.709 145.000	0.945 24.000	0.06 1.52	1.260 32.000	TS
32020X	-	3.937 100.000	1.260 32.000	0.08 2.03	5.906 150.000	0.945 24.000	0.06 1.52	1.260 32.000	TS
32021X	-	4.134 105.000	1.378 35.000	0.10 2.54	6.299 160.000	1.024 26.000	0.08 2.03	1.378 35.000	TS
32022X	-	4.331 110.000	1.496 38.000	0.10 2.54	6.693 170.000	1.142 29.000	0.08 2.03	1.496 38.000	TS
32024XM	-	4.724 120.000	1.496 38.000	0.10 2.54	7.087 180.000	1.142 29.000	0.08 2.03	1.496 38.000	TS
32026XM	-	5.118 130.000	1.772 45.000	0.10 2.54	7.874 200.000	1.339 34.000	0.08 2.03	1.772 45.000	TS
32028XM	-	5.512 140.000	1.772 45.000	0.10 2.49	8.268 210.000	1.339 34.000	0.08 2.01	1.772 45.000	TS
32030XM	-	5.906 150.000	1.890 48.001	0.12 3.05	8.858 225.000	1.417 36.000	0.10 2.54	1.890 48.000	TS
32032XM	-	6.299 160.000	2.008 51.000	0.12 3.05	9.449 240.000	1.496 38.000	0.10 2.54	2.008 51.000	TS
32034XM	-	6.693 170.000	2.244 57.000	0.12 3.05	10.236 260.000	1.693 43.000	0.10 2.54	2.244 57.000	TS
32036XM	-	7.087 180.000	2.520 64.000	0.12 3.05	11.024 280.000	1.890 48.000	0.10 2.54	2.520 64.000	TS
32038XM	-	7.480 190.000	2.520 64.000	0.12 3.05	11.417 290.000	1.890 48.000	0.10 2.54	2.520 64.000	TS
32040XM	-	7.874 200.000	2.756 70.000	0.12 3.05	12.205 310.000	2.087 53.000	0.10 2.54	2.756 70.000	TS
32044XM	-	8.661 220.000	2.992 76.000	0.16 4.00	13.386 340.000	2.244 57.000	0.12 3.05	2.992 76.000	TS
32204	-	0.787 20.000	0.709 18.000	0.04 1.02	1.850 47.000	0.591 15.000	0.04 1.02	0.758 19.250	TS
32205	-	0.984 25.000	0.709 18.000	0.04 1.02	2.047 52.000	0.630 16.000	0.04 1.02	0.758 19.250	TS
32205-B	-	0.984 25.000	0.709 18.000	0.04 1.02	2.047 52.000	0.591 15.000	0.04 1.02	0.758 19.250	TS
32206	-	1.181 30.000	0.787 20.000	0.04 1.00	2.441 62.000	0.669 17.000	0.04 1.00	0.837 21.250	TS
32206-B	-	1.181 30.000	0.787 20.000	0.04 1.02	2.441 62.000	0.669 17.000	0.04 1.02	0.837 21.250	TS
32206M	-	1.181 30.000	0.787 20.000	0.04 1.00	2.441 62.000	0.669 17.000	0.04 1.02	0.837 21.250	TS
32207	-	1.378 35.000	0.906 23.000	0.06 1.50	2.835 72.000	0.748 19.000	0.06 1.50	0.955 24.249	TS

bearing
specification:
00101101111011100110101
00101101111011100110101

TIMKEN®

Numerical Listing

Part Number		Cone			Cup			Bearing	
		Bore	Width	BF Radius	OD	Width	BF Radius	Width	Brg
Cone	Cup	d	B	R	D	C	r	T / T1	Type
32207M	-	1.378	0.906	0.06	2.835	0.748	0.06	0.955	TS
		35.000	23.000	1.50	72.000	19.000	1.50	24.250	
32208	-	1.575	0.906	0.06	3.150	0.748	0.06	0.974	TS
		40.000	23.000	1.50	80.000	19.000	1.50	24.750	
32208M	-	1.575	0.906	0.06	3.150	0.748	0.06	0.974	TS
		40.000	23.000	1.50	80.000	19.000	1.52	24.750	
32209M	-	1.772	0.906	0.06	3.347	0.748	0.06	0.974	TS
		45.000	23.000	1.50	85.000	19.000	1.52	24.750	
32210	-	1.969	0.906	0.06	3.543	0.748	0.06	0.974	TS
		50.000	23.000	1.50	90.000	19.000	1.50	24.750	
32210M	-	1.969	0.906	0.06	3.543	0.748	0.06	0.974	TS
		50.000	23.000	1.50	90.000	19.000	1.52	24.750	
32211	-	2.165	0.984	0.08	3.937	0.827	0.06	1.053	TS
		55.000	25.000	2.00	100.000	21.000	1.50	26.749	
32211M	-	2.165	0.984	0.08	3.937	0.827	0.06	1.053	TS
		55.000	25.000	2.00	100.000	21.000	1.52	26.750	
32212M	-	2.362	1.024	0.08	4.331	0.945	0.06	1.171	TS
		60.000	28.000	2.00	110.000	24.000	1.52	29.750	
32213	-	2.559	1.221	0.08	4.724	1.063	0.06	1.289	TS
		65.000	31.000	2.03	120.000	27.000	1.52	32.750	
32213M	-	2.559	1.221	0.08	4.724	1.063	0.06	1.289	TS
		65.000	31.000	2.00	120.000	27.000	1.50	32.750	
32214	-	2.756	1.221	0.08	4.921	1.063	0.06	1.309	TS
		70.000	31.000	2.03	125.000	27.000	1.52	33.250	
32215	-	2.953	1.221	0.08	5.118	1.063	0.06	1.309	TS
		75.000	31.000	2.03	130.000	27.000	1.52	33.250	
32216	-	3.150	1.299	0.10	5.512	1.102	0.08	1.388	TS
		80.000	33.000	2.54	140.000	28.000	2.03	35.250	
32217	-	3.347	1.417	0.10	5.906	1.181	0.08	1.516	TS
		85.000	36.000	2.54	150.000	30.000	2.03	38.500	
32217M	-	3.347	1.417	0.10	5.906	1.181	0.08	1.516	TS
		85.000	36.000	2.54	150.000	30.000	2.03	38.500	
32218M	-	3.543	1.575	0.10	6.299	1.339	0.08	1.673	TS
		90.000	40.000	2.54	160.000	34.000	2.03	42.500	
32219	-	3.740	1.693	0.12	6.693	1.457	0.10	1.791	TS
		95.000	43.000	3.05	170.000	37.000	2.54	45.500	
32219M	-	3.740	1.693	0.12	6.693	1.457	0.10	1.791	TS
		95.000	43.000	3.00	170.000	37.000	2.50	45.500	
32220M	-	3.937	1.811	0.12	7.087	1.535	0.10	1.929	TS
		100.000	46.000	3.05	180.000	39.000	2.54	49.000	
32221	-	4.134	1.969	0.12	7.480	1.693	0.10	2.087	TS
		105.000	50.000	3.05	190.000	43.000	2.54	53.000	
32222M	-	4.331	2.087	0.12	7.874	1.811	0.10	2.205	TS
		110.000	53.000	3.05	200.000	46.000	2.54	56.000	

Numerical Listing

Part Number		Cone			OD	Cup		Bearing	
		Bore	Width	BF Radius		Width	BF Radius	Width	Brg
Cone	Cup	d	B	R	D	C	r	T / T1	Type
32224M	-	4.724	2.284	0.12	8.465	1.969	0.10	2.421	TS
		120.000	58.000	3.05	215.000	50.000	2.54	61.500	
32226M	-	5.118	2.520	0.16	9.055	2.126	0.12	2.667	TS
		130.000	64.000	4.00	230.000	54.000	3.05	67.750	
32304	-	0.787	0.827	0.06	2.047	0.709	0.06	0.876	TS
		20.000	21.000	1.52	52.000	18.000	1.52	22.250	
32304M	-	0.787	0.827	0.06	2.047	0.709	0.06	0.876	TS
		20.000	21.000	1.50	52.000	18.000	1.50	22.250	
32305	-	0.984	0.945	0.06	2.441	0.787	0.06	0.994	TS
		25.000	24.000	1.52	62.000	20.000	1.52	25.250	
32306	-	1.181	1.063	0.06	2.835	0.906	0.06	1.132	TS
		30.000	27.000	1.52	72.000	23.000	1.52	28.750	
32307	-	1.378	1.221	0.08	3.150	0.984	0.06	1.289	TS
		35.000	31.000	2.03	80.000	25.000	1.52	32.750	
32308	-	1.575	1.299	0.08	3.543	1.063	0.06	1.388	TS
		40.000	33.000	2.03	90.000	27.000	1.52	35.250	
32308-B	-	1.575	1.299	0.08	3.543	1.063	0.06	1.388	TS
		40.000	33.000	2.03	90.000	27.000	1.52	35.250	
32309	-	1.772	1.417	0.08	3.937	1.181	0.06	1.506	TS
		45.000	36.000	2.00	100.000	30.000	1.50	38.250	
32309-BM	-	1.772	1.417	0.08	3.937	1.181	0.06	1.506	TS
		45.000	36.000	2.03	100.000	30.000	1.52	38.250	
32309M	-	1.772	1.417	0.08	3.937	1.181	0.06	1.506	TS
		45.000	36.000	2.03	100.000	30.000	1.52	38.250	
32310	-	1.969	1.575	0.10	4.331	1.299	0.08	1.663	TS
		50.000	40.000	2.54	110.000	33.000	2.03	42.250	
32310-B	-	1.969	1.575	0.10	4.331	1.299	0.08	1.663	TS
		50.000	40.000	2.54	110.000	33.000	2.03	42.250	
32311-BM	-	2.165	1.693	0.10	4.724	1.378	0.08	1.791	TS
		55.000	43.000	2.54	120.000	35.000	2.03	45.500	
32311M	-	2.165	1.693	0.10	4.724	1.378	0.08	1.791	TS
		55.000	43.000	2.54	120.000	35.000	2.03	45.500	
32312	-	2.362	1.811	0.12	5.118	1.457	0.10	1.909	TS
		60.000	46.000	3.05	130.000	37.000	2.54	48.500	
32313M	-	2.559	1.890	0.12	5.512	1.535	0.10	2.008	TS
		65.000	48.000	3.05	140.000	39.000	2.54	51.000	
32314M	-	2.756	2.008	0.12	5.906	1.654	0.10	2.126	TS
		70.000	51.000	3.05	150.000	42.000	2.54	54.000	
32316M	-	3.150	2.284	0.12	6.693	1.890	0.10	2.421	TS
		80.000	58.000	3.05	170.000	48.000	2.54	61.500	
32924M	-	4.724	1.142	0.06	6.496	0.906	0.06	1.142	TS
		120.000	29.000	1.52	165.000	23.000	1.52	29.000	
32928M	-	5.512	1.260	0.08	7.480	0.984	0.06	1.260	TS
		140.000	32.000	2.03	190.000	25.000	1.52	32.000	

bearing
specification:
0010110111011100110101
0010110111011100110101



Numerical Listing

Part Number		Cone			Cup			Bearing	Brg
Cone	Cup	Bore d	Width B	BF Radius R	OD D	Width C	BF Radius r	Width T / T1	Type
32930M	-	5.906	1.496	0.10	8.268	1.181	0.08	1.496	TS
		150.000	38.000	2.54	210.000	30.000	2.03	38.000	
32934M	-	6.693	1.496	0.10	9.055	1.181	0.08	1.496	TS
		170.000	38.000	2.54	230.000	30.000	2.03	38.000	
32936M	-	7.087	1.772	0.10	9.843	1.339	0.08	1.772	TS
		180.000	45.000	2.54	250.000	34.000	2.03	45.000	
32940M	-	7.874	2.008	0.12	11.024	1.535	0.10	2.008	TS
		200.000	51.000	3.05	280.000	39.000	2.54	51.000	
32944M	-	8.661	2.008	0.12	11.811	1.535	0.10	2.008	TS
		220.000	51.000	3.05	300.000	39.000	2.54	51.000	
33010	-	1.969	0.945	0.04	3.150	0.748	0.04	0.945	TS
		50.000	24.000	1.02	80.000	19.000	1.02	24.000	
33011	-	2.165	1.063	0.06	3.543	0.827	0.06	1.063	TS
		55.000	27.000	1.52	90.000	21.000	1.52	27.000	
33012	-	2.362	1.063	0.06	3.740	0.827	0.06	1.063	TS
		60.000	27.000	1.52	95.000	21.000	1.52	27.000	
33013	-	2.559	1.063	0.06	3.937	0.827	0.06	1.063	TS
		65.000	27.000	1.52	100.000	21.000	1.52	27.000	
33014M	-	2.756	1.221	0.06	4.331	1.004	0.06	1.221	TS
		70.000	31.000	1.52	110.000	25.500	1.52	31.000	
33015	-	2.953	1.221	0.06	4.528	1.004	0.06	1.221	TS
		75.000	31.000	1.52	115.000	25.500	1.52	31.000	
33017	-	3.347	1.417	0.06	5.118	1.161	0.06	1.417	TS
		85.000	36.000	1.52	130.000	29.500	1.52	36.000	
33018	-	3.543	1.535	0.08	5.512	1.280	0.06	1.535	TS
		90.000	39.000	2.03	140.000	32.500	1.52	39.000	
33019	-	3.740	1.535	0.08	5.709	1.280	0.06	1.535	TS
		95.000	39.000	2.03	145.000	32.500	1.52	39.000	
33020	-	3.937	1.535	0.08	5.906	1.280	0.06	1.535	TS
		100.000	39.000	2.03	150.000	32.500	1.52	39.000	
33021M	-	4.134	1.693	0.10	6.299	1.339	0.08	1.693	TS
		105.000	43.000	2.54	160.000	34.000	2.03	43.000	
33022	-	4.331	1.850	0.10	6.693	1.457	0.08	1.850	TS
		110.000	47.000	2.54	170.000	37.000	2.03	47.000	
33108	-	1.575	1.024	0.06	2.953	0.807	0.06	1.024	TS
		40.000	26.000	1.52	75.000	20.500	1.52	26.000	
33109	-	1.772	1.024	0.06	3.150	0.807	0.06	1.024	TS
		45.000	26.000	1.52	80.000	20.500	1.52	26.000	
33110	-	1.969	1.024	0.06	3.347	0.787	0.06	1.024	TS
		50.000	26.000	1.52	85.000	20.000	1.52	26.000	
33111	-	2.165	1.181	0.06	3.740	0.906	0.06	1.181	TS
		55.000	30.000	1.52	95.000	23.000	1.52	30.000	
33112	-	2.362	1.181	0.06	3.937	0.906	0.06	1.181	TS
		60.000	30.000	1.52	100.000	23.000	1.52	30.000	

Numerical Listing

Part Number		Cone			Cup			Bearing	Brg
Cone	Cup	Bore d	Width B	BF Radius R	OD D	Width C	BF Radius r	Width T / T1	Type
33113	-	2.559 65.000	1.339 34.000	0.06 1.52	4.331 110.000	1.043 26.500	0.06 1.52	1.339 34.000	TS
33114	-	2.756 70.000	1.457 37.000	0.08 2.03	4.724 120.000	1.142 29.000	0.06 1.52	1.457 37.000	TS
33115	-	2.953 75.000	1.457 37.000	0.08 2.03	4.921 125.000	1.142 29.000	0.06 1.52	1.457 37.000	TS
33116	-	3.150 80.000	1.457 37.000	0.08 2.00	5.118 130.000	1.142 29.000	0.06 1.50	1.457 37.000	TS
33116M	-	3.150 80.000	1.457 37.000	0.08 2.03	5.118 130.000	1.142 29.000	0.06 1.52	1.457 37.000	TS
33117	-	3.347 85.000	1.614 41.000	0.10 2.54	5.512 140.000	1.260 32.000	0.08 2.03	1.614 41.000	TS
33118	-	3.543 90.000	1.772 45.000	0.10 2.50	5.906 150.000	1.378 35.000	0.08 2.00	1.772 45.001	TS
33118M	-	3.543 90.000	1.772 45.000	0.10 2.54	5.906 150.000	1.378 35.000	0.08 2.03	1.772 45.000	TS
33205	-	0.984 25.000	0.866 22.000	0.04 1.02	2.047 52.000	0.709 18.000	0.04 1.02	0.866 22.000	TS
33206	-	1.181 30.000	0.984 25.000	0.04 1.02	2.441 62.000	0.768 19.500	0.04 1.02	0.984 25.000	TS
33207	-	1.378 35.000	1.102 28.000	0.06 1.52	2.835 72.000	0.866 22.000	0.06 1.52	1.102 28.000	TS
33208	-	1.575 40.000	1.260 32.000	0.06 1.52	3.150 80.000	0.984 25.000	0.06 1.52	1.260 32.000	TS
33209	-	1.772 45.000	1.260 32.000	0.06 1.52	3.347 85.000	0.984 25.000	0.06 1.52	1.260 32.000	TS
33210	-	1.969 50.000	1.260 32.000	0.06 1.52	3.543 90.000	0.965 24.500	0.06 1.52	1.260 32.000	TS
33211	-	2.165 55.000	1.378 35.000	0.08 2.03	3.937 100.000	1.063 27.000	0.06 1.52	1.378 35.000	TS
XGA33211	Y33211	2.001 50.815	1.378 35.000	0.08 2.03	3.937 100.000	1.063 27.000	0.06 1.52	1.378 35.000	TS
XLA33211	Y33211	1.969 50.000	1.319 33.500	0.08 2.03	3.937 100.000	1.063 27.000	0.06 1.52	1.319 33.500	TS
33212	-	2.362 60.000	1.496 38.000	0.08 2.03	4.331 110.000	1.142 29.000	0.06 1.52	1.496 38.000	TS
XAA33212	Y33212	2.362 60.000	1.496 38.000	0.24 6.00	4.331 110.000	1.142 29.000	0.06 1.52	1.496 38.000	TS
33213	-	2.559 65.000	1.614 41.000	0.08 2.00	4.724 120.000	1.260 32.000	0.06 1.50	1.614 41.001	TS
33213M	-	2.559 65.000	1.614 41.000	0.08 2.03	4.724 120.000	1.260 32.000	0.06 1.52	1.614 41.000	TS
33214	-	2.756 70.000	1.614 41.000	0.08 2.03	4.921 125.000	1.260 32.000	0.06 1.52	1.614 41.000	TS

Numerical Listing

Part Number		Cone			Cup			Bearing	Brg
Cone	Cup	Bore d	Width B	BF Radius R	OD D	Width C	BF Radius r	Width T / T1	Type
33215	-	2.953 75.000	1.614 41.000	0.08 2.03	5.118 130.000	1.221 31.000	0.06 1.52	1.614 41.000	TS
33216	-	3.150 80.000	1.811 46.000	0.10 2.54	5.512 140.000	1.378 35.000	0.08 2.03	1.811 46.000	TS
33217	-	3.347 85.000	1.929 49.000	0.10 2.54	5.906 150.000	1.457 37.000	0.08 2.03	1.929 49.000	TS
33225	33462	2.250 57.150	1.188 30.162	0.14 3.50	4.625 117.475	0.938 23.812	0.13 3.30	1.188 30.162	TS
33225	33462D	2.250 57.150	1.188 30.162	0.14 3.50	4.625 117.475	2.125 53.975	0.03 0.76	2.625 66.675	TDO
33251	33462	2.500 63.500	1.188 30.162	0.03 0.76	4.625 117.475	0.938 23.812	0.13 3.30	1.188 30.162	TS
33262	33461	2.625 66.675	1.188 30.162	0.14 3.50	4.625 117.475	0.938 23.812	0.03 0.80	1.188 30.162	TS
33262	33461X	2.625 66.675	1.188 30.162	0.14 3.50	4.625 117.475	0.938 23.812	0.03 0.80	1.188 30.162	TS
33262	33462	2.625 66.675	1.188 30.162	0.14 3.50	4.625 117.475	0.938 23.812	0.13 3.30	1.188 30.162	TS
33262	33472	2.625 66.675	1.188 30.162	0.14 3.50	4.724 120.000	0.923 23.444	0.03 0.80	1.173 29.794	TS
33262	33475	2.625 66.675	1.188 30.162	0.14 3.50	4.750 120.650	0.923 23.444	0.03 0.80	1.173 29.794	TS
33269	33462	2.688 68.262	1.188 30.162	0.14 3.50	4.625 117.475	0.938 23.812	0.13 3.30	1.188 30.162	TS
33269	33462D	2.688 68.262	1.188 30.162	0.14 3.50	4.625 117.475	2.125 53.975	0.03 0.76	2.625 66.675	TDO
33275	33462	2.750 69.850	1.188 30.162	0.14 3.50	4.625 117.475	0.938 23.812	0.13 3.30	1.188 30.162	TS
33275	33462D	2.750 69.850	1.188 30.162	0.14 3.50	4.625 117.475	2.125 53.975	0.03 0.76	2.625 66.675	TDO
33281	33462	2.813 71.438	1.188 30.162	0.14 3.50	4.625 117.475	0.938 23.812	0.13 3.30	1.188 30.162	TS
33281	33462D	2.813 71.438	1.188 30.162	0.14 3.50	4.625 117.475	2.125 53.975	0.03 0.76	2.625 66.675	TDO
33287	33462	2.875 73.025	1.188 30.162	0.14 3.50	4.625 117.475	0.938 23.812	0.13 3.30	1.188 30.162	TS
33287	33462-B	2.875 73.025	1.188 30.162	0.14 3.50	4.625 117.475	0.938 23.812	0.13 3.30	0.438 11.112	TSF
33287	33462D	2.875 73.025	1.188 30.162	0.14 3.50	4.625 117.475	2.125 53.975	0.03 0.76	2.625 66.675	TDO
33287	33472	2.875 73.025	1.188 30.162	0.14 3.50	4.724 120.000	0.923 23.444	0.03 0.76	1.173 29.794	TS
JHM33449	JHM33410	0.945 24.000	0.984 25.000	0.08 2.03	2.165 55.000	0.827 21.000	0.08 2.03	0.984 25.000	TS

Numerical Listing

Part Number		Cone			Cup			Bearing	
Cone	Cup	Bore d	Width B	BF Radius R	OD D	Width C	BF Radius r	Width T / T1	Brg Type
33880	33821	1.500	1.125	0.14	3.750	0.875	0.09	1.094	TS
		38.100	28.575	3.50	95.250	22.225	2.29	27.783	
33880	33821D	1.500	1.125	0.14	3.750	2.062	0.03	2.500	TDO
		38.100	28.575	3.50	95.250	52.385	0.76	63.500	
33885	33821	1.750	1.125	0.03	3.750	0.875	0.09	1.094	TS
		44.450	28.575	0.76	95.250	22.225	2.29	27.783	
33885	33821D	1.750	1.125	0.03	3.750	2.062	0.03	2.500	TDO
		44.450	28.575	0.76	95.250	52.385	0.76	63.500	
33889	33821	2.000	1.125	0.14	3.750	0.875	0.09	1.094	TS
		50.800	28.575	3.50	95.250	22.225	2.29	27.783	
33889	33821D	2.000	1.125	0.14	3.750	2.062	0.03	2.500	TDO
		50.800	28.575	3.50	95.250	52.385	0.76	63.500	
33890	33821	2.063	1.125	0.06	3.750	0.875	0.09	1.094	TS
		52.388	28.575	1.52	95.250	22.225	2.29	27.783	
33890	33821D	2.063	1.125	0.06	3.750	2.062	0.03	2.500	TDO
		52.388	28.575	1.52	95.250	52.385	0.76	63.500	
33891	33821	2.063	1.125	0.14	3.750	0.875	0.09	1.094	TS
		52.388	28.575	3.50	95.250	22.225	2.29	27.783	
33891	33821D	2.063	1.125	0.14	3.750	2.062	0.03	2.500	TDO
		52.388	28.575	3.50	95.250	52.385	0.76	63.500	
33895	33820-B	2.125	1.125	0.06	3.672	0.875	0.03	0.406	TSF
		53.975	28.575	1.52	93.264	22.225	0.76	10.320	
33895	33821	2.125	1.125	0.06	3.750	0.875	0.09	1.094	TS
		53.975	28.575	1.52	95.250	22.225	2.29	27.783	
33895	33821D	2.125	1.125	0.06	3.750	2.062	0.03	2.500	TDO
		53.975	28.575	1.52	95.250	52.385	0.76	63.500	
33895	33822	2.125	1.125	0.06	3.750	0.875	0.03	1.094	TS
		53.975	28.575	1.52	95.250	22.225	0.76	27.783	
34274	34478	2.754	0.906	0.08	4.781	0.688	0.08	0.969	TS
		69.952	23.012	2.03	121.442	17.462	2.03	24.608	
34274	34478-B	2.754	0.906	0.08	4.781	0.688	0.06	0.469	TSF
		69.952	23.012	2.03	121.442	17.462	1.52	11.908	
34274	34478D	2.754	0.906	0.08	4.781	1.500	0.03	2.063	TDO
		69.952	23.012	2.03	121.442	38.100	0.76	52.390	
34274	34478DC	2.754	0.906	0.08	4.781	1.500	0.03	2.063	TDO
		69.952	23.012	2.03	121.442	38.100	0.76	52.390	
34274	34492A	2.754	0.906	0.08	4.923	0.646	0.08	0.934	TS
		69.952	23.012	2.03	125.052	16.400	2.03	23.731	
34274	34500	2.754	0.906	0.08	5.000	0.781	0.13	1.063	TS
		69.952	23.012	2.00	127.000	19.842	3.30	26.987	
34274W	34500	2.754	0.906	0.08	5.000	0.781	0.13	1.063	TS
		69.952	23.012	2.00	127.000	19.842	3.30	26.987	
34275	34500	2.756	0.906	0.08	5.000	0.781	0.13	1.063	TS
		70.000	23.012	2.00	127.000	19.842	3.30	26.987	

bearing
specification:
0010110111011100110101
0010110111011100110101



Numerical Listing

Part Number		Cone			Cup			Bearing	Brg
Cone	Cup	Bore d	Width B	BF Radius R	OD D	Width C	BF Radius r	Width T / T1	Type
34275HV	34500	2.756 70.000	0.906 23.012	0.08 2.00	5.000 127.000	0.781 19.842	0.13 3.30	1.063 26.987	TS
34294	34500	2.952 74.976	0.906 23.012	0.08 2.00	5.000 127.000	0.781 19.842	0.13 3.30	1.063 26.987	TS
34299X	34500	2.992 76.000	0.906 23.012	0.09 2.30	5.000 127.000	0.781 19.842	0.13 3.30	1.063 26.987	TS
34300	34478	3.000 76.200	0.906 23.012	0.08 2.03	4.781 121.442	0.688 17.462	0.08 2.03	0.969 24.608	TS
34300	34478D	3.000 76.200	0.906 23.012	0.08 2.03	4.781 121.442	1.500 38.100	0.03 0.76	2.063 52.390	TDO
34300	34478DC	3.000 76.200	0.906 23.012	0.08 2.03	4.781 121.442	1.500 38.100	0.03 0.76	2.063 52.390	TDO
34300	34500	3.000 76.200	0.906 23.012	0.08 2.00	5.000 127.000	0.781 19.842	0.13 3.30	1.063 26.987	TS
34300A	34500	3.000 76.200	0.906 23.012	0.08 2.00	5.000 127.000	0.781 19.842	0.13 3.30	1.063 26.987	TS
34301	34478	3.000 76.200	0.906 23.012	0.14 3.50	4.781 121.442	0.688 17.462	0.08 2.03	0.969 24.608	TS
34301	34478D	3.000 76.200	0.906 23.012	0.14 3.50	4.781 121.442	1.500 38.100	0.03 0.76	2.063 52.390	TDO
34301	34478DC	3.000 76.200	0.906 23.012	0.14 3.50	4.781 121.442	1.500 38.100	0.03 0.76	2.063 52.390	TDO
34301	34500	3.000 76.200	0.906 23.012	0.14 3.50	5.000 127.000	0.781 19.842	0.13 3.30	1.063 26.987	TS
34304	34500	3.046 77.356	0.906 23.012	0.14 3.50	5.000 127.000	0.781 19.842	0.13 3.30	1.063 26.987	TS
34306	34478	3.063 77.788	0.906 23.012	0.14 3.50	4.781 121.442	0.688 17.462	0.08 2.03	0.969 24.608	TS
34306	34478-B	3.063 77.788	0.906 23.012	0.14 3.50	4.781 121.442	0.688 17.462	0.06 1.52	0.469 11.908	TSF
34306	34478D	3.063 77.788	0.906 23.012	0.14 3.50	4.781 121.442	1.500 38.100	0.03 0.76	2.063 52.390	TDO
34306	34478DC	3.063 77.788	0.906 23.012	0.14 3.50	4.781 121.442	1.500 38.100	0.03 0.76	2.063 52.390	TDO
34306	34500	3.063 77.788	0.906 23.012	0.14 3.50	5.000 127.000	0.781 19.842	0.13 3.30	1.063 26.987	TS
34306W	34500	3.063 77.788	0.906 23.012	0.06 1.50	5.000 127.000	0.781 19.842	0.13 3.30	1.063 26.987	TS
34307	34500	3.063 77.788	0.906 23.012	0.25 6.40	5.000 127.000	0.781 19.842	0.13 3.30	1.063 26.987	TS
35176	35326	1.750 44.450	0.906 23.012	0.03 0.76	3.265 82.931	0.688 17.462	0.03 0.76	0.875 22.225	TS
36690	36620	5.750 146.050	1.125 28.575	0.06 1.52	7.625 193.675	0.906 23.020	0.06 1.52	1.125 28.575	TS

Numerical Listing

Part Number		Cone			Cup			Bearing	
Cone	Cup	Bore d	Width B	BF Radius R	OD D	Width C	BF Radius r	Width T / T1	Brg Type
36690	36620D	5.750	1.125	0.06	7.625	2.125	0.03	2.562	TDO
		146.050	28.575	1.52	193.675	53.975	0.76	65.085	
36691	36620	5.750	1.125	0.19	7.625	0.906	0.06	1.125	TS
		146.050	28.575	4.83	193.675	23.020	1.52	28.575	
36691	36620D	5.750	1.125	0.19	7.625	2.125	0.03	2.562	TDO
		146.050	28.575	4.83	193.675	53.975	0.76	65.085	
36990	36920	7.000	1.188	0.06	8.938	0.906	0.06	1.188	TS
		177.800	30.162	1.52	227.012	23.020	1.52	30.162	
37425	37625	4.250	0.844	0.14	6.250	0.625	0.13	0.906	TS
		107.950	21.438	3.50	158.750	15.875	3.30	23.020	
37431	37625	4.313	0.844	0.14	6.250	0.625	0.13	0.906	TS
		109.538	21.438	3.50	158.750	15.875	3.30	23.020	
37431A	37625	4.313	0.844	0.20	6.250	0.625	0.13	0.906	TS
		109.538	21.438	5.00	158.750	15.875	3.30	23.020	
M38545	M38510	1.313	0.813	0.14	2.625	0.656	0.09	0.813	TS
		33.338	20.638	3.50	66.675	16.670	2.29	20.638	
M38549	M38510	1.375	0.813	0.14	2.625	0.656	0.09	0.813	TS
		34.925	20.638	3.50	66.675	16.670	2.29	20.638	
39236	39412	2.362	0.866	0.09	4.125	0.625	0.08	0.844	TS
		59.987	22.000	2.29	104.775	15.875	2.03	21.433	
39250	39412	2.500	0.866	0.08	4.125	0.625	0.08	0.844	TS
		63.500	22.000	2.03	104.775	15.875	2.03	21.433	
39573	39520	2.000	1.188	0.03	4.438	0.938	0.13	1.188	TS
		50.800	30.162	0.76	112.712	23.812	3.30	30.162	
39575	39520	2.000	1.188	0.14	4.438	0.938	0.13	1.188	TS
		50.800	30.162	3.50	112.712	23.812	3.30	30.162	
39578	39520	2.125	1.188	0.14	4.438	0.938	0.13	1.188	TS
		53.975	30.162	3.50	112.712	23.812	3.30	30.162	
39580	39520	2.250	1.188	0.14	4.438	0.938	0.13	1.188	TS
		57.150	30.162	3.50	112.712	23.812	3.30	30.162	
39581	39520	2.250	1.188	0.31	4.438	0.938	0.13	1.188	TS
		57.150	30.162	8.00	112.712	23.812	3.30	30.162	
39585	39520	2.500	1.188	0.14	4.438	0.938	0.13	1.188	TS
		63.500	30.162	3.50	112.712	23.812	3.30	30.162	
39586	39520	2.559	1.218	0.09	4.438	0.938	0.13	1.188	TS
		64.987	30.925	2.29	112.712	23.812	3.30	30.162	
39590	39520	2.625	1.188	0.14	4.438	0.938	0.13	1.188	TS
		66.675	30.162	3.50	112.712	23.812	3.30	30.162	
39590	39520-B	2.625	1.188	0.14	4.438	0.938	0.13	0.469	TSF
		66.675	30.162	3.50	112.712	23.812	3.30	11.908	
39590	39521	2.625	1.188	0.14	4.438	0.938	0.03	1.188	TS
		66.675	30.162	3.50	112.712	23.812	0.76	30.162	
39591	39520	2.625	1.188	0.22	4.438	0.938	0.13	1.188	TS
		66.675	30.162	5.50	112.712	23.812	3.30	30.162	

Numerical Listing

Part Number		Cone			Cup			Bearing	Brg
Cone	Cup	Bore d	Width B	BF Radius R	OD D	Width C	BF Radius r	Width T / T1	Type
41106	41286	1.063	0.955	0.09	2.859	0.688	0.06	0.969	TS
		26.987	24.257	2.29	72.626	17.462	1.52	24.608	
41125	41286	1.125	0.955	0.19	2.859	0.688	0.06	0.969	TS
		28.575	24.257	4.83	72.626	17.462	1.52	24.608	
41126	41286	1.125	0.955	0.06	2.859	0.688	0.06	0.969	TS
		28.575	24.257	1.52	72.626	17.462	1.52	24.608	
42346	42584	3.463	1.141	0.12	5.844	0.844	0.12	1.125	TS
		87.960	28.971	3.05	148.430	21.433	3.05	28.575	
42346	42587D	3.463	1.141	0.12	5.875	2.063	0.03	2.625	TDO
		87.960	28.971	3.05	149.225	52.388	0.76	66.672	
42350	42584	3.500	1.141	0.12	5.844	0.844	0.12	1.125	TS
		88.900	28.971	3.05	148.430	21.433	3.05	28.575	
42350	42587D	3.500	1.141	0.12	5.875	2.063	0.03	2.625	TDO
		88.900	28.971	3.05	149.225	52.388	0.76	66.672	
42362	42587	3.625	1.141	0.14	5.875	0.969	0.13	1.250	TS
		92.075	28.971	3.50	149.225	24.608	3.30	31.750	
42368	42584	3.688	1.141	0.12	5.844	0.844	0.12	1.125	TS
		93.662	28.971	3.05	148.430	21.433	3.05	28.575	
42368	42587D	3.688	1.141	0.12	5.875	2.063	0.03	2.625	TDO
		93.662	28.971	3.05	149.225	52.388	0.76	66.672	
42375	42584	3.750	1.141	0.12	5.844	0.844	0.12	1.125	TS
		95.250	28.971	3.05	148.430	21.433	3.05	28.575	
42375	42587D	3.750	1.141	0.12	5.875	2.063	0.03	2.625	TDO
		95.250	28.971	3.05	149.225	52.388	0.76	66.672	
42376	42587	3.750	1.141	0.14	5.875	0.969	0.13	1.250	TS
		95.250	28.971	3.50	149.225	24.608	3.30	31.750	
42381	42584	3.813	1.141	0.14	5.844	0.844	0.12	1.125	TS
		96.838	28.971	3.50	148.430	21.433	3.05	28.575	
42381	42587-B	3.813	1.141	0.14	5.875	0.969	0.13	0.500	TSF
		96.838	28.971	3.50	149.225	24.608	3.30	12.700	
42381	42587D	3.813	1.141	0.14	5.875	2.063	0.03	2.625	TDO
		96.838	28.971	3.50	149.225	52.388	0.76	66.672	
42687	42620	3.000	1.221	0.14	5.000	0.875	0.13	1.188	TS
		76.200	31.000	3.50	127.000	22.225	3.30	30.162	
42688	42620	3.000	1.221	0.25	5.000	0.875	0.13	1.188	TS
		76.200	31.000	6.35	127.000	22.225	3.30	30.162	
42690	42620	3.063	1.221	0.14	5.000	0.875	0.13	1.188	TS
		77.788	31.000	3.50	127.000	22.225	3.30	30.162	
43112	43312	1.125	0.948	0.03	3.125	0.688	0.06	1.000	TS
		28.575	24.074	0.76	79.375	17.462	1.52	25.400	
43112	43319D	1.125	0.948	0.03	3.188	1.563	0.06	2.188	TDO
		28.575	24.074	0.76	80.962	39.688	1.52	55.562	
43112	43319DC	1.125	0.948	0.03	3.188	1.563	0.06	2.188	TDO
		28.575	24.074	0.76	80.962	39.687	1.52	55.562	

Numerical Listing

Part Number		Cone			Cup			Bearing	
Cone	Cup	Bore d	Width B	BF Radius R	OD D	Width C	BF Radius r	Width T / T1	Brg Type
43125	43312	1.250	0.948	0.06	3.125	0.688	0.06	1.000	TS
		31.750	24.074	1.52	79.375	17.462	1.52	25.400	
43125	43319D	1.250	0.948	0.06	3.188	1.563	0.06	2.188	TDO
		31.750	24.074	1.52	80.962	39.688	1.52	55.562	
43125	43319DC	1.250	0.948	0.06	3.188	1.563	0.06	2.188	TDO
		31.750	24.074	1.52	80.962	39.687	1.52	55.562	
43131	43312	1.313	0.948	0.14	3.125	0.688	0.06	1.000	TS
		33.338	24.074	3.50	79.375	17.462	1.52	25.400	
43131	43319D	1.313	0.948	0.14	3.188	1.563	0.06	2.188	TDO
		33.338	24.074	3.50	80.962	39.688	1.52	55.562	
43131	43319DC	1.313	0.948	0.14	3.188	1.563	0.06	2.188	TDO
		33.338	24.074	3.50	80.962	39.687	1.52	55.562	
43132	43312	1.313	0.948	0.08	3.125	0.688	0.06	1.000	TS
		33.338	24.074	2.03	79.375	17.462	1.52	25.400	
43132	43319D	1.313	0.948	0.08	3.188	1.563	0.06	2.188	TDO
		33.338	24.074	2.03	80.962	39.688	1.52	55.562	
43132	43319DC	1.313	0.948	0.08	3.188	1.563	0.06	2.188	TDO
		33.338	24.074	2.03	80.962	39.687	1.52	55.562	
44131	44348	1.313	0.933	0.08	3.484	0.688	0.06	1.000	TS
		33.338	23.698	2.03	88.500	17.462	1.52	25.400	
44131	44363D	1.313	0.933	0.08	3.625	1.563	0.06	2.188	TDO
		33.338	23.698	2.03	92.075	39.688	1.52	55.562	
44143	44348	1.438	0.933	0.09	3.484	0.688	0.06	1.000	TS
		36.512	23.698	2.29	88.500	17.462	1.52	25.400	
44143	44363D	1.438	0.933	0.09	3.625	1.563	0.06	2.188	TDO
		36.512	23.698	2.29	92.075	39.688	1.52	55.562	
44150	44348	1.500	0.933	0.09	3.484	0.688	0.06	1.000	TS
		38.100	23.698	2.29	88.500	17.462	1.52	25.400	
44150	44363D	1.500	0.933	0.09	3.625	1.563	0.06	2.188	TDO
		38.100	23.698	2.29	92.075	39.688	1.52	55.562	
44158	44348	1.563	0.933	0.14	3.484	0.688	0.06	1.000	TS
		39.688	23.698	3.50	88.500	17.462	1.52	25.400	
44158	44363D	1.563	0.933	0.14	3.625	1.563	0.06	2.188	TDO
		39.688	23.698	3.50	92.075	39.688	1.52	55.562	
44162	44348	1.625	0.933	0.09	3.484	0.688	0.06	1.000	TS
		41.275	23.698	2.29	88.500	17.462	1.52	25.400	
44162	44363D	1.625	0.933	0.09	3.625	1.563	0.06	2.188	TDO
		41.275	23.698	2.29	92.075	39.688	1.52	55.562	
L44640	L44610	0.938	0.580	0.06	1.980	0.420	0.05	0.560	TS
		23.812	14.732	1.52	50.292	10.668	1.27	14.224	
L44642	L44610	1.000	0.580	0.14	1.980	0.420	0.05	0.560	TS
		25.400	14.732	3.50	50.292	10.668	1.27	14.224	
L44643	L44610	1.000	0.580	0.05	1.980	0.420	0.05	0.560	TS
		25.400	14.732	1.27	50.292	10.668	1.27	14.224	

Numerical Listing

Part Number		Cone			Cup			Bearing	Brg
Cone	Cup	Bore d	Width B	BF Radius R	OD D	Width C	BF Radius r	Width T / T1	Type
L44649	L44610	1.063 26.987	0.580 14.732	0.14 3.50	1.980 50.292	0.420 10.668	0.05 1.27	0.560 14.224	TS
45280	45220	1.750 44.450	1.219 30.958	0.03 0.76	4.125 104.775	0.938 23.812	0.13 3.30	1.188 30.162	TS
45282	45220	1.875 47.625	1.219 30.958	0.14 3.50	4.125 104.775	0.938 23.812	0.13 3.30	1.188 30.162	TS
45284	45220	2.000 50.800	1.219 30.958	0.25 6.35	4.125 104.775	0.938 23.812	0.13 3.30	1.188 30.162	TS
45285	45220	2.000 50.800	1.219 30.958	0.09 2.29	4.125 104.775	0.938 23.812	0.13 3.30	1.188 30.162	TS
45285A	45220	2.000 50.800	1.219 30.958	0.03 0.76	4.125 104.775	0.938 23.812	0.13 3.30	1.188 30.162	TS
45287	45220	2.125 53.975	1.219 30.958	0.03 0.76	4.125 104.775	0.938 23.812	0.13 3.30	1.188 30.162	TS
45289	45220	2.250 57.150	1.219 30.958	0.03 0.76	4.125 104.775	0.938 23.812	0.13 3.30	1.188 30.162	TS
45290	45220	2.250 57.150	1.219 30.958	0.09 2.29	4.125 104.775	0.938 23.812	0.13 3.30	1.188 30.162	TS
45291	45220	2.250 57.150	1.219 30.958	0.25 6.35	4.125 104.775	0.938 23.812	0.13 3.30	1.188 30.162	TS
45291	45221	2.250 57.150	1.219 30.958	0.25 6.35	4.125 104.775	0.938 23.812	0.03 0.76	1.188 30.162	TS
L45449	L45410	1.142 29.000	0.580 14.732	0.14 3.50	1.980 50.292	0.420 10.668	0.05 1.27	0.560 14.224	TS
46162	46368	1.625 41.275	1.250 31.750	0.03 0.76	3.688 93.662	1.031 26.195	0.13 3.30	1.250 31.750	TS
46176	46368	1.750 44.450	1.250 31.750	0.14 3.50	3.688 93.662	1.031 26.195	0.13 3.30	1.250 31.750	TS
46780	46720	6.250 158.750	1.563 39.688	0.14 3.50	8.875 225.425	1.313 33.338	0.13 3.30	1.625 41.275	TS
46780	46720CD	6.250 158.750	1.563 39.688	0.14 3.50	8.875 225.425	2.750 69.850	0.03 0.76	3.375 85.725	TDO
46790	46720	6.500 165.100	1.563 39.688	0.14 3.50	8.875 225.425	1.313 33.338	0.13 3.30	1.625 41.275	TS
46790	46720-B	6.500 165.100	1.563 39.688	0.14 3.50	8.875 225.425	1.313 33.337	0.13 3.30	0.531 13.495	TSF
46790	46720CD	6.500 165.100	1.563 39.688	0.14 3.50	8.875 225.425	2.750 69.850	0.03 0.76	3.375 85.725	TDO
46792	46720	6.563 166.687	1.563 39.687	0.14 3.50	8.875 225.425	1.313 33.338	0.13 3.30	1.625 41.275	TS
46792	46720-B	6.563 166.687	1.563 39.687	0.14 3.50	8.875 225.425	1.313 33.337	0.13 3.30	0.531 13.495	TSF
46792	46720CD	6.563 166.687	1.563 39.687	0.14 3.50	8.875 225.425	2.750 69.850	0.03 0.76	3.375 85.725	TDO

Numerical Listing

Part Number		Cone			Cup			Bearing	Brg
Cone	Cup	Bore d	Width B	BF Radius R	OD D	Width C	BF Radius r	Width T / T1	Type
47487	47420	2.750	1.281	0.14	4.724	1.031	0.13	1.281	TS
		69.850	32.545	3.50	120.000	26.195	3.30	32.545	
47487	47420A	2.750	1.281	0.14	4.724	1.031	0.02	1.281	TS
		69.850	32.545	3.50	120.000	26.195	0.51	32.545	
47490	47420	2.813	1.281	0.14	4.724	1.031	0.13	1.281	TS
		71.438	32.545	3.50	120.000	26.195	3.30	32.545	
47675	47623A	2.813	1.313	0.14	5.375	1.750	0.03	1.750	TS
		71.438	33.338	3.50	136.525	44.450	0.80	44.450	
47678	47620	3.000	1.313	0.25	5.250	1.031	0.13	1.313	TS
		76.200	33.338	6.35	133.350	26.195	3.30	33.338	
47678	47623A	3.000	1.313	0.25	5.375	1.750	0.03	1.750	TS
		76.200	33.338	6.40	136.525	44.450	0.80	44.450	
47679	47620	3.000	1.313	0.14	5.250	1.031	0.13	1.313	TS
		76.200	33.338	3.50	133.350	26.195	3.30	33.338	
47679	47623A	3.000	1.313	0.14	5.375	1.750	0.03	1.750	TS
		76.200	33.338	3.50	136.525	44.450	0.80	44.450	
47679W	47623A	3.000	1.313	0.14	5.375	1.750	0.03	1.750	TS
		76.200	33.338	3.50	136.525	44.450	0.80	44.450	
47680	47620	3.000	1.313	0.03	5.250	1.031	0.13	1.313	TS
		76.200	33.338	0.76	133.350	26.195	3.30	33.338	
47680	47623A	3.000	1.313	0.03	5.375	1.750	0.03	1.750	TS
		76.200	33.338	0.80	136.525	44.450	0.80	44.450	
47681	47620	3.188	1.313	0.14	5.250	1.031	0.13	1.313	TS
		80.962	33.338	3.50	133.350	26.195	3.30	33.338	
47681	47623A	3.188	1.313	0.14	5.375	1.750	0.03	1.750	TS
		80.962	33.338	3.50	136.525	44.450	0.80	44.450	
47685	47623A	3.250	1.313	0.03	5.375	1.750	0.03	1.750	TS
		82.550	33.338	0.80	136.525	44.450	0.80	44.450	
47686	47620	3.250	1.313	0.14	5.250	1.031	0.13	1.313	TS
		82.550	33.338	3.50	133.350	26.195	3.30	33.338	
47686	47620A	3.250	1.313	0.14	5.250	1.031	0.03	1.313	TS
		82.550	33.338	3.50	133.350	26.195	0.76	33.338	
47686	47623A	3.250	1.313	0.14	5.375	1.750	0.03	1.750	TS
		82.550	33.338	3.50	136.525	44.450	0.80	44.450	
47687	47620	3.250	1.313	0.27	5.250	1.031	0.13	1.313	TS
		82.550	33.338	6.80	133.350	26.195	3.30	33.338	
47687	47623A	3.250	1.313	0.27	5.375	1.750	0.03	1.750	TS
		82.550	33.338	6.80	136.525	44.450	0.80	44.450	
47688	47620	3.281	1.313	0.14	5.250	1.031	0.13	1.313	TS
		83.345	33.338	3.50	133.350	26.195	3.30	33.338	
47688	47623A	3.281	1.313	0.14	5.375	1.750	0.03	1.750	TS
		83.345	33.338	3.50	136.525	44.450	0.80	44.450	
47890	47820	3.625	1.375	0.14	5.750	1.031	0.13	1.313	TS
		92.075	34.925	3.50	146.050	26.195	3.30	33.338	

bearing
specification:
0010110111011100110101
0010110111011100110101



Numerical Listing

Part Number		Cone			Cup			Bearing	Brg
Cone	Cup	Bore d	Width B	BF Radius R	OD D	Width C	BF Radius r	Width T / T1	Type
47896	47820	3.750	1.375	0.14	5.750	1.031	0.13	1.313	TS
		95.250	34.925	3.50	146.050	26.195	3.30	33.338	
48190	48120	4.250	1.375	0.14	6.375	1.063	0.13	1.375	TS
		107.950	34.925	3.50	161.925	26.988	3.30	34.925	
48282	48220	4.750	1.500	0.14	7.188	1.313	0.13	1.563	TS
		120.650	38.100	3.50	182.562	33.338	3.30	39.688	
48286	48220	4.875	1.500	0.14	7.188	1.313	0.13	1.563	TS
		123.825	38.100	3.50	182.562	33.338	3.30	39.688	
48286	48220D	4.875	1.500	0.14	7.188	2.875	0.03	3.375	TDO
		123.825	38.100	3.50	182.562	73.025	0.76	85.728	
48290	48220	5.000	1.500	0.14	7.188	1.313	0.13	1.563	TS
		127.000	38.100	3.50	182.562	33.338	3.30	39.688	
48290	48220D	5.000	1.500	0.14	7.188	2.875	0.03	3.375	TDO
		127.000	38.100	3.50	182.562	73.025	0.76	85.728	
48290DW	48220	5.000	3.000	0.06	7.188	1.313	0.13	3.000	TDI
		127.000	76.200	1.52	182.562	33.338	3.30	76.203	
48385	48320	5.250	1.563	0.14	7.500	1.313	0.13	1.563	TS
		133.350	39.688	3.50	190.500	33.338	3.30	39.688	
48385	48320D	5.250	1.563	0.14	7.500	2.875	0.03	3.375	TDO
		133.350	39.688	3.50	190.500	73.025	0.76	85.725	
48393	48320	5.375	1.563	0.14	7.500	1.313	0.13	1.563	TS
		136.525	39.688	3.50	190.500	33.338	3.30	39.688	
48393	48320D	5.375	1.563	0.14	7.500	2.875	0.03	3.375	TDO
		136.525	39.688	3.50	190.500	73.025	0.76	85.725	
48393A	48320	5.375	1.563	0.22	7.500	1.313	0.13	1.563	TS
		136.525	39.688	5.50	190.500	33.338	3.30	39.687	
48393A	48328	5.375	1.563	0.22	8.000	1.313	0.13	1.563	TS
		136.525	39.688	5.50	203.200	33.338	3.30	39.687	
LM48548	LM48510	1.375	0.720	SPCL	2.563	0.550	0.05	0.710	TS
		34.925	18.288		65.088	13.970	1.27	18.034	
LM48548A	LM48510	1.375	0.720	0.03	2.563	0.550	0.05	0.710	TS
		34.925	18.288	0.76	65.088	13.970	1.27	18.034	
48684	48620	5.625	1.563	0.31	7.875	1.344	0.13	1.625	TS
		142.875	39.688	8.00	200.025	34.130	3.30	41.275	
48685	48620	5.625	1.563	0.14	7.875	1.344	0.13	1.625	TS
		142.875	39.688	3.50	200.025	34.130	3.30	41.275	
48685	48620-B	5.625	1.563	0.14	7.875	1.344	0.13	0.500	TSF
		142.875	39.688	3.50	200.025	34.130	3.30	12.700	
49175	49368	1.750	1.250	0.14	3.688	1.000	0.13	1.250	TS
		44.450	31.750	3.50	93.662	25.400	3.30	31.750	
49576	49520	1.750	1.250	0.03	4.000	1.000	0.13	1.250	TS
		44.450	31.750	0.76	101.600	25.400	3.30	31.750	
49585	49520	2.000	1.250	0.14	4.000	1.000	0.13	1.250	TS
		50.800	31.750	3.50	101.600	25.400	3.30	31.750	

Numerical Listing

Part Number		Cone			Cup			Bearing	
Cone	Cup	Bore d	Width B	BF Radius R	OD D	Width C	BF Radius r	Width T / T1	Brg Type
52375	52618	3.750	1.422	0.14	6.188	1.031	0.13	1.438	TS
		95.250	36.116	3.50	157.162	26.195	3.30	36.512	
52375	52637D	3.750	1.422	0.14	6.375	2.438	0.03	3.250	TDO
		95.250	36.116	3.50	161.925	61.912	0.76	82.547	
52387	52618	3.875	1.422	0.14	6.188	1.031	0.13	1.438	TS
		98.425	36.116	3.50	157.162	26.195	3.30	36.512	
52387	52637D	3.875	1.422	0.14	6.375	2.438	0.03	3.250	TDO
		98.425	36.116	3.50	161.925	61.912	0.76	82.547	
52393	52618	3.938	1.422	0.14	6.188	1.031	0.13	1.438	TS
		100.012	36.116	3.50	157.162	26.195	3.30	36.512	
52393	52637D	3.938	1.422	0.14	6.375	2.438	0.03	3.250	TDO
		100.012	36.116	3.50	161.925	61.912	0.76	82.547	
52400	52618	4.000	1.422	0.14	6.188	1.031	0.13	1.438	TS
		101.600	36.116	3.50	157.162	26.195	3.30	36.512	
52400	52637	4.000	1.422	0.14	6.375	1.031	0.13	1.438	TS
		101.600	36.116	3.50	161.925	26.195	3.30	36.512	
52400	52637D	4.000	1.422	0.14	6.375	2.438	0.03	3.250	TDO
		101.600	36.116	3.50	161.925	61.912	0.76	82.547	
52400	52638	4.000	1.422	0.14	6.375	1.156	0.13	1.563	TS
		101.600	36.116	3.50	161.925	29.370	3.30	39.688	
LL52549	LL52510	0.875	0.440	0.05	1.656	0.340	0.05	0.440	TS
		22.225	11.176	1.27	42.070	8.636	1.27	11.176	
53150	53375	1.500	1.114	0.06	3.750	0.813	0.03	1.219	TS
		38.100	28.301	1.52	95.250	20.638	0.76	30.958	
53162	53375	1.625	1.114	0.06	3.750	0.813	0.03	1.219	TS
		41.275	28.301	1.52	95.250	20.638	0.76	30.958	
53176	53375	1.750	1.114	0.05	3.750	0.813	0.03	1.219	TS
		44.450	28.301	1.27	95.250	20.638	0.76	30.958	
53176	53377	1.750	1.114	0.05	3.750	0.813	0.09	1.219	TS
		44.450	28.301	1.27	95.250	20.638	2.29	30.958	
53176	53387	1.750	1.114	0.05	3.875	0.813	0.03	1.219	TS
		44.450	28.301	1.27	98.425	20.638	0.76	30.958	
53177	53375	1.750	1.114	0.14	3.750	0.813	0.03	1.219	TS
		44.450	28.301	3.50	95.250	20.638	0.76	30.958	
53178	53375	1.750	1.114	0.08	3.750	0.813	0.03	1.219	TS
		44.450	28.301	2.03	95.250	20.638	0.76	30.958	
55175	55433D	1.750	1.059	0.14	4.330	1.688	0.02	2.500	TDO
		44.450	26.909	3.50	109.982	42.865	0.51	63.500	
55175C	55437	1.750	1.059	0.14	4.375	0.813	0.13	1.188	TS
		44.450	26.909	3.50	111.125	20.638	3.30	30.162	
55176C	55437	1.750	1.059	0.03	4.375	0.813	0.13	1.188	TS
		44.450	26.909	0.76	111.125	20.638	3.30	30.162	
55187	55433D	1.875	1.059	0.14	4.330	1.688	0.02	2.500	TDO
		47.625	26.909	3.50	109.982	42.865	0.51	63.500	

Numerical Listing

Part Number		Cone			Cup			Bearing	
Cone	Cup	Bore d	Width B	BF Radius R	OD D	Width C	BF Radius r	Width T / T1	Brg Type
55187C	55437	1.875 47.625	1.059 26.909	0.14 3.50	4.375 111.125	0.813 20.638	0.13 3.30	1.188 30.162	TS
55196	55433D	1.968 49.975	1.059 26.909	0.14 3.50	4.330 109.982	1.688 42.865	0.02 0.51	2.500 63.500	TDO
55200	55433D	2.000 50.800	1.059 26.909	0.14 3.50	4.330 109.982	1.688 42.865	0.02 0.51	2.500 63.500	TDO
55200C	55437	2.000 50.800	1.059 26.909	0.14 3.50	4.375 111.125	0.813 20.638	0.13 3.30	1.188 30.162	TS
55200C	55437-B	2.000 50.800	1.059 26.909	0.14 3.50	4.375 111.125	0.813 20.638	0.13 3.30	0.594 15.083	TSF
55200C	55443	2.000 50.800	1.059 26.909	0.14 3.50	4.438 112.712	0.813 20.638	0.13 3.30	1.188 30.162	TS
55206	55437	2.063 52.388	1.059 26.909	0.14 3.50	4.375 111.125	0.813 20.638	0.13 3.30	1.188 30.162	TS
55206	55443	2.063 52.388	1.059 26.909	0.14 3.50	4.438 112.712	0.813 20.638	0.13 3.30	1.188 30.162	TS
55206C	55437	2.063 52.388	1.059 26.909	0.14 3.50	4.375 111.125	0.813 20.638	0.13 3.30	1.188 30.162	TS
55206C	55437-B	2.063 52.388	1.059 26.909	0.14 3.50	4.375 111.125	0.813 20.638	0.13 3.30	0.594 15.083	TSF
55212C	55434	2.125 53.975	1.059 26.909	0.14 3.50	4.330 109.985	0.777 19.726	0.12 3.05	1.152 29.251	TS
56418	56650	4.188 106.362	1.438 36.512	0.14 3.50	6.500 165.100	1.063 26.988	0.13 3.30	1.438 36.512	TS
56418	56650D	4.188 106.362	1.438 36.512	0.14 3.50	6.500 165.100	2.500 63.500	0.03 0.76	3.250 82.550	TDO
56425	56650	4.250 107.950	1.438 36.512	0.14 3.50	6.500 165.100	1.063 26.988	0.13 3.30	1.438 36.512	TS
56425	56650-B	4.250 107.950	1.438 36.512	0.14 3.50	6.500 165.100	1.063 26.988	0.13 3.30	0.625 15.875	TSF
56425	56650D	4.250 107.950	1.438 36.512	0.14 3.50	6.500 165.100	2.500 63.500	0.03 0.76	3.250 82.550	TDO
56425	56662	4.250 107.950	1.438 36.512	0.14 3.50	6.625 168.275	1.063 26.988	0.13 3.30	1.438 36.512	TS
56426	56650	4.250 107.950	1.438 36.512	0.31 8.00	6.500 165.100	1.063 26.988	0.13 3.30	1.438 36.512	TS
59175	59412	1.750 44.450	1.438 36.512	0.14 3.50	4.125 104.775	1.125 28.575	0.13 3.30	1.438 36.512	TS
59200	59412	2.000 50.800	1.438 36.512	0.14 3.50	4.125 104.775	1.125 28.575	0.13 3.30	1.438 36.512	TS
59201	59412	2.000 50.800	1.438 36.512	0.03 0.76	4.125 104.775	1.125 28.575	0.13 3.30	1.438 36.512	TS
64432	64700	4.330 109.975	1.625 41.275	0.14 3.50	7.000 177.800	1.188 30.162	0.13 3.30	1.625 41.275	TS

Numerical Listing

Part Number		Cone			Cup			Bearing	
Cone	Cup	Bore d	Width B	BF Radius R	OD D	Width C	BF Radius r	Width T / T1	Brg Type
64432	64700D	4.330	1.625	0.14	7.000	2.750	0.03	3.625	TDO
		109.975	41.275	3.50	177.800	69.850	0.76	92.075	
64433	64700	4.330	1.625	0.14	7.000	1.188	0.13	1.625	TS
		109.992	41.275	3.50	177.800	30.162	3.30	41.275	
64433	64700D	4.330	1.625	0.14	7.000	2.750	0.03	3.625	TDO
		109.992	41.275	3.50	177.800	69.850	0.76	92.075	
64450	64700	4.500	1.625	0.14	7.000	1.188	0.13	1.625	TS
		114.300	41.275	3.50	177.800	30.162	3.30	41.275	
64450	64700-B	4.500	1.625	0.14	7.000	1.188	0.13	0.719	TSF
		114.300	41.275	3.50	177.800	30.162	3.30	18.258	
64450	64700D	4.500	1.625	0.14	7.000	2.750	0.03	3.625	TDO
		114.300	41.275	3.50	177.800	69.850	0.76	92.075	
64450	64708	4.500	1.625	0.14	7.086	1.188	0.13	1.625	TS
		114.300	41.275	3.50	179.975	30.162	3.30	41.275	
64452A	64700D	4.527	1.625	0.35	7.000	2.750	0.03	3.625	TDO
		114.975	41.275	9.00	177.800	69.850	0.76	92.075	
65200	65500	2.000	1.750	0.14	5.000	1.375	0.13	1.750	TS
		50.800	44.450	3.50	127.000	34.925	3.30	44.450	
65212	65500	2.125	1.750	0.14	5.000	1.375	0.13	1.750	TS
		53.975	44.450	3.50	127.000	34.925	3.30	44.450	
65212	65501	2.125	1.750	0.14	5.000	1.375	0.05	1.750	TS
		53.975	44.450	3.50	127.000	34.925	1.30	44.450	
65212	65537	2.125	1.750	0.14	5.375	1.438	0.12	1.813	TS
		53.975	44.450	3.50	136.525	36.512	3.00	46.037	
65225	65500	2.250	1.750	0.14	5.000	1.375	0.13	1.750	TS
		57.150	44.450	3.50	127.000	34.925	3.30	44.450	
65237	65500	2.375	1.750	0.14	5.000	1.375	0.13	1.750	TS
		60.325	44.450	3.50	127.000	34.925	3.30	44.450	
65237	65500-B	2.375	1.750	0.14	5.000	1.375	0.13	0.656	TSF
		60.325	44.450	3.50	127.000	34.925	3.30	16.670	
65237A	65500	2.375	1.750	0.06	5.000	1.375	0.13	1.750	TS
		60.325	44.450	1.52	127.000	34.925	3.30	44.450	
65390	65320	1.938	1.750	0.14	4.500	1.375	0.13	1.750	TS
		49.212	44.450	3.50	114.300	34.925	3.30	44.450	
66200	66462	2.000	1.250	0.14	4.625	0.938	0.13	1.313	TS
		50.800	31.750	3.50	117.475	23.812	3.30	33.338	
66200	66462D	2.000	1.250	0.14	4.625	2.125	0.03	2.875	TDO
		50.800	31.750	3.50	117.475	53.975	0.76	73.025	
66212	66462	2.125	1.250	0.14	4.625	0.938	0.13	1.313	TS
		53.975	31.750	3.50	117.475	23.812	3.30	33.338	
66212	66462D	2.125	1.250	0.14	4.625	2.125	0.03	2.875	TDO
		53.975	31.750	3.50	117.475	53.975	0.76	73.025	
66225	66462	2.250	1.250	0.14	4.625	0.938	0.13	1.313	TS
		57.150	31.750	3.50	117.475	23.812	3.30	33.338	

Numerical Listing

Part Number		Cone			Cup			Bearing	Brg
Cone	Cup	Bore d	Width B	BF Radius R	OD D	Width C	BF Radius r	Width T / T1	Type
66225	66462-B	2.250 57.150	1.250 31.750	0.14 3.50	4.625 117.475	0.938 23.812	0.13 3.30	0.625 15.875	TSF
66225	66462D	2.250 57.150	1.250 31.750	0.14 3.50	4.625 117.475	2.125 53.975	0.03 0.76	2.875 73.025	TDO
66584	66520	2.125 53.975	1.250 31.750	0.14 3.50	4.813 122.238	0.938 23.812	0.13 3.30	1.313 33.338	TS
66585	66521DB	2.362 60.000	1.250 31.750	0.14 3.50	5.001 127.025	2.060 52.324	0.03 0.80	2.810 71.374	TDO
66589	66520	2.361 59.972	1.250 31.750	0.03 0.76	4.813 122.238	0.938 23.812	0.13 3.30	1.313 33.338	TS
LM67048	LM67010	1.250 31.750	0.660 16.764	SPCL	2.328 59.131	0.465 11.811	0.05 1.27	0.625 15.875	TS
LM67049A	LM67010	1.250 31.750	0.660 16.764	0.03 0.76	2.328 59.131	0.465 11.811	0.05 1.27	0.625 15.875	TS
67384	67320	4.750 120.650	1.813 46.038	0.31 8.00	8.000 203.200	1.500 38.100	0.13 3.30	1.813 46.037	TS
67384	67320-B	4.750 120.650	1.813 46.038	0.31 8.00	8.000 203.200	1.500 38.100	0.13 3.30	0.594 15.083	TSF
67388	67320	5.000 127.000	1.813 46.038	0.14 3.50	8.000 203.200	1.500 38.100	0.13 3.30	1.813 46.037	TS
67388	67320-B	5.000 127.000	1.813 46.038	0.14 3.50	8.000 203.200	1.500 38.100	0.13 3.30	0.594 15.083	TSF
67388	67322	5.000 127.000	1.813 46.038	0.14 3.50	7.750 196.850	1.500 38.100	0.13 3.30	1.813 46.038	TS
67388	67322-B	5.000 127.000	1.813 46.038	0.14 3.50	7.750 196.850	1.500 38.100	0.13 3.30	0.594 15.083	TSF
67388	67322D	5.000 127.000	1.813 46.038	0.14 3.50	7.750 196.850	3.375 85.725	0.03 0.76	4.000 101.600	TDO
67388W	67320	5.000 127.000	1.813 46.038	0.14 3.50	8.000 203.200	1.500 38.100	0.13 3.30	1.813 46.037	TS
67388W	67320-B	5.000 127.000	1.813 46.038	0.14 3.50	8.000 203.200	1.500 38.100	0.13 3.30	0.594 15.083	TSF
67389	67320	5.125 130.175	1.813 46.038	0.14 3.50	8.000 203.200	1.500 38.100	0.13 3.30	1.813 46.037	TS
67389	67320-B	5.125 130.175	1.813 46.038	0.14 3.50	8.000 203.200	1.500 38.100	0.13 3.30	0.594 15.083	TSF
67389	67322	5.125 130.175	1.813 46.038	0.14 3.50	7.750 196.850	1.500 38.100	0.13 3.30	1.813 46.038	TS
67389	67322D	5.125 130.175	1.813 46.038	0.14 3.50	7.750 196.850	3.375 85.725	0.03 0.76	4.000 101.600	TDO
67390	67320	5.250 133.350	1.813 46.038	0.14 3.50	8.000 203.200	1.500 38.100	0.13 3.30	1.813 46.037	TS
67390	67320-B	5.250 133.350	1.813 46.038	0.14 3.50	8.000 203.200	1.500 38.100	0.13 3.30	0.594 15.083	TSF

Numerical Listing

Part Number		Cone			Cup			Bearing	
Cone	Cup	Bore d	Width B	BF Radius R	OD D	Width C	BF Radius r	Width T / T1	Brg Type
67390	67322	5.250	1.813	0.14	7.750	1.500	0.13	1.813	TS
		133.350	46.038	3.50	196.850	38.100	3.30	46.038	
67390	67322-B	5.250	1.813	0.14	7.750	1.500	0.13	0.594	TSF
		133.350	46.038	3.50	196.850	38.100	3.30	15.083	
67390	67322D	5.250	1.813	0.14	7.750	3.375	0.03	4.000	TDO
		133.350	46.038	3.50	196.850	85.725	0.76	101.600	
67390W	67320	5.250	1.813	0.14	8.000	1.500	0.13	1.813	TS
		133.350	46.038	3.50	203.200	38.100	3.30	46.037	
67390W	67320-B	5.250	1.813	0.14	8.000	1.500	0.13	0.594	TSF
		133.350	46.038	3.50	203.200	38.100	3.30	15.083	
67391	67320	5.250	1.813	0.31	8.000	1.500	0.13	1.813	TS
		133.350	46.038	8.00	203.200	38.100	3.30	46.037	
67391	67320-B	5.250	1.813	0.31	8.000	1.500	0.13	0.594	TSF
		133.350	46.038	8.00	203.200	38.100	3.30	15.083	
67391	67322	5.250	1.813	0.31	7.750	1.500	0.13	1.813	TS
		133.350	46.038	8.00	196.850	38.100	3.30	46.038	
67391	67322D	5.250	1.813	0.31	7.750	3.375	0.03	4.000	TDO
		133.350	46.038	8.00	196.850	85.725	0.76	101.600	
67780	67720	6.500	1.875	0.14	9.750	1.500	0.13	1.875	TS
		165.100	47.625	3.50	247.650	38.100	3.30	47.625	
67780	67720CD	6.500	1.875	0.14	9.750	3.313	0.03	4.063	TDO
		165.100	47.625	3.50	247.650	84.138	0.76	103.188	
67782	67720	6.625	1.875	0.14	9.750	1.500	0.13	1.875	TS
		168.275	47.625	3.50	247.650	38.100	3.30	47.625	
67782	67720CD	6.625	1.875	0.14	9.750	3.313	0.03	4.063	TDO
		168.275	47.625	3.50	247.650	84.138	0.76	103.188	
67786	67720	6.875	1.875	0.31	9.750	1.500	0.13	1.875	TS
		174.625	47.625	8.00	247.650	38.100	3.30	47.625	
67786	67720CD	6.875	1.875	0.31	9.750	3.313	0.03	4.063	TDO
		174.625	47.625	8.00	247.650	84.138	0.76	103.188	
67787	67720	6.875	1.875	0.14	9.750	1.500	0.13	1.875	TS
		174.625	47.625	3.50	247.650	38.100	3.30	47.625	
67787	67720CD	6.875	1.875	0.14	9.750	3.313	0.03	4.063	TDO
		174.625	47.625	3.50	247.650	84.138	0.76	103.188	
67790	67720	7.000	1.875	0.14	9.750	1.500	0.13	1.875	TS
		177.800	47.625	3.50	247.650	38.100	3.30	47.625	
67790	67720-B	7.000	1.875	0.14	9.750	1.500	0.13	0.656	TSF
		177.800	47.625	3.50	247.650	38.100	3.30	16.670	
67790D	67720	7.000	3.563	0.06	9.750	1.500	0.13	3.563	TDI
		177.800	90.488	1.52	247.650	38.100	3.30	90.488	
67791	67720	7.000	1.875	0.41	9.750	1.500	0.13	1.875	TS
		177.800	47.625	10.50	247.650	38.100	3.30	47.625	
67791	67720CD	7.000	1.875	0.41	9.750	3.313	0.03	4.063	TDO
		177.800	47.625	10.50	247.650	84.138	0.76	103.188	

Numerical Listing

Part Number		Cone			Cup			Bearing	Brg
Cone	Cup	Bore d	Width B	BF Radius R	OD D	Width C	BF Radius r	Width T / T1	Type
67883	67820	7.250 184.150	1.844 46.833	0.14 3.50	10.500 266.700	1.500 38.100	0.13 3.30	1.875 47.625	TS
67883	67820CD	7.250 184.150	1.844 46.833	0.14 3.50	10.500 266.700	3.313 84.138	0.03 0.76	4.063 103.188	TDO
67884	67820	7.375 187.325	1.844 46.833	0.14 3.50	10.500 266.700	1.500 38.100	0.13 3.30	1.875 47.625	TS
67884	67820CD	7.375 187.325	1.844 46.833	0.14 3.50	10.500 266.700	3.313 84.138	0.03 0.76	4.063 103.188	TDO
67885	67820	7.500 190.500	1.844 46.833	0.14 3.50	10.500 266.700	1.500 38.100	0.13 3.30	1.875 47.625	TS
67885	67820-B	7.500 190.500	1.844 46.833	0.14 3.50	10.500 266.700	1.500 38.100	0.13 3.30	0.656 16.670	TSF
67885	67820CD	7.500 190.500	1.844 46.833	0.14 3.50	10.500 266.700	3.313 84.138	0.03 0.76	4.063 103.188	TDO
67887	67820	7.563 192.088	1.844 46.833	0.41 10.50	10.500 266.700	1.500 38.100	0.13 3.30	1.875 47.625	TS
67887	67830	7.563 192.088	1.844 46.833	0.41 10.50	11.024 280.000	1.417 36.000	0.13 3.30	1.832 46.525	TS
67887	67835	7.563 192.088	1.844 46.833	0.41 10.50	11.417 289.992	1.417 35.999	0.13 3.30	1.832 46.525	TS
67983	67920	8.000 203.200	1.813 46.038	0.14 3.50	11.125 282.575	1.438 36.512	0.13 3.30	1.813 46.038	TS
67983	67920CD	8.000 203.200	1.813 46.038	0.14 3.50	11.125 282.575	3.250 82.550	0.03 0.76	4.000 101.600	TDO
67985	67920	8.125 206.375	1.813 46.038	0.14 3.50	11.125 282.575	1.438 36.512	0.13 3.30	1.813 46.038	TS
67985	67920-B	8.125 206.375	1.813 46.038	0.14 3.50	11.125 282.575	1.438 36.512	0.13 3.30	0.656 16.670	TSF
67985	67920CD	8.125 206.375	1.813 46.038	0.14 3.50	11.125 282.575	3.250 82.550	0.03 0.76	4.000 101.600	TDO
67989	67920	8.250 209.550	1.813 46.038	0.14 3.50	11.125 282.575	1.438 36.512	0.13 3.30	1.813 46.038	TS
67989	67920-B	8.250 209.550	1.813 46.038	0.14 3.50	11.125 282.575	1.438 36.512	0.13 3.30	0.656 16.670	TSF
67989	67920CD	8.250 209.550	1.813 46.038	0.14 3.50	11.125 282.575	3.250 82.550	0.03 0.76	4.000 101.600	TDO
JL68145	L68110	1.378 35.000	0.727 18.460	0.08 2.03	2.328 59.131	0.470 11.938	0.05 1.27	0.625 15.880	TS
L68149	L68111	1.378 34.987	0.660 16.764	SPCL	2.361 59.975	0.470 11.938	0.05 1.27	0.625 15.875	TS
68450	68712	4.500 114.300	1.250 31.750	0.14 3.50	7.125 180.975	1.000 25.400	0.13 3.30	1.375 34.925	TS
68462	68709	4.625 117.475	1.250 31.750	0.14 3.50	7.086 179.975	1.000 25.400	0.03 0.76	1.375 34.925	TS

Numerical Listing

Part Number		Cone			Cup			Bearing	
Cone	Cup	Bore d	Width B	BF Radius R	OD D	Width C	BF Radius r	Width T / T1	Brg Type
68462	68712	4.625	1.250	0.14	7.125	1.000	0.13	1.375	TS
		117.475	31.750	3.50	180.975	25.400	3.30	34.925	
68463	68712	4.625	1.250	0.31	7.125	1.000	0.13	1.375	TS
		117.475	31.750	8.00	180.975	25.400	3.30	34.925	
JL69345	JL69310	1.496	0.748	SPCL	2.480	0.532	0.05	0.669	TS
		38.000	19.000		63.000	13.500	1.27	17.000	
JL69348	JL69310	1.496	0.669	0.13	2.480	0.532	0.05	0.669	TS
		38.000	17.000	3.30	63.000	13.500	1.27	17.000	
JL69349	JL69310	1.496	0.669	SPCL	2.480	0.532	0.05	0.669	TS
		38.000	17.000		63.000	13.500	1.27	17.000	
71412	71750	4.125	1.938	0.14	7.500	1.375	0.13	1.875	TS
		104.775	49.212	3.50	190.500	34.925	3.30	47.625	
71412	71751D	4.125	1.938	0.14	7.500	3.188	0.06	4.188	TDO
		104.775	49.212	3.50	190.500	80.962	1.52	106.362	
71425	71750	4.250	1.938	0.14	7.500	1.375	0.13	1.875	TS
		107.950	49.212	3.50	190.500	34.925	3.30	47.625	
71425	71751D	4.250	1.938	0.14	7.500	3.188	0.06	4.188	TDO
		107.950	49.212	3.50	190.500	80.962	1.52	106.362	
71437	71750	4.375	1.938	0.14	7.500	1.375	0.13	1.875	TS
		111.125	49.212	3.50	190.500	34.925	3.30	47.625	
71437	71753	4.375	1.938	0.14	7.558	1.375	0.13	1.875	TS
		111.125	49.212	3.50	191.976	34.925	3.30	47.625	
71450	71750	4.500	1.938	0.14	7.500	1.375	0.13	1.875	TS
		114.300	49.212	3.50	190.500	34.925	3.30	47.625	
71450	71751D	4.500	1.938	0.14	7.500	3.188	0.06	4.188	TDO
		114.300	49.212	3.50	190.500	80.962	1.52	106.362	
71453	71750	4.531	1.938	0.14	7.500	1.375	0.13	1.875	TS
		115.087	49.212	3.50	190.500	34.925	3.30	47.625	
71453	71751D	4.531	1.938	0.14	7.500	3.188	0.06	4.188	TDO
		115.087	49.212	3.50	190.500	80.962	1.52	106.362	
71455	71751D	4.531	1.938	0.31	7.500	3.188	0.06	4.188	TDO
		115.087	49.212	8.00	190.500	80.962	1.52	106.362	
72187C	72487	1.875	1.291	0.14	4.875	1.000	0.13	1.438	TS
		47.625	32.791	3.50	123.825	25.400	3.30	36.512	
72187C	72500	1.875	1.291	0.14	5.000	1.000	0.13	1.438	TS
		47.625	32.791	3.50	127.000	25.400	3.30	36.512	
72188C	72487	1.875	1.291	0.03	4.875	1.000	0.13	1.438	TS
		47.625	32.791	0.76	123.825	25.400	3.30	36.512	
72188C	72488D	1.875	1.291	0.03	4.875	2.188	0.06	3.062	TDO
		47.625	32.791	0.76	123.825	55.562	1.52	77.785	
72200C	72487	2.000	1.291	0.14	4.875	1.000	0.13	1.438	TS
		50.800	32.791	3.50	123.825	25.400	3.30	36.512	
72200C	72488D	2.000	1.291	0.14	4.875	2.188	0.06	3.062	TDO
		50.800	32.791	3.50	123.825	55.562	1.52	77.785	

Numerical Listing

Part Number		Cone			Cup			Bearing	Brg
Cone	Cup	Bore d	Width B	BF Radius R	OD D	Width C	BF Radius r	Width T / T1	Type
72201C	72487	2.000	1.291	0.03	4.875	1.000	0.13	1.438	TS
		50.800	32.791	0.76	123.825	25.400	3.30	36.512	
72201C	72488D	2.000	1.291	0.03	4.875	2.188	0.06	3.062	TDO
		50.800	32.791	0.76	123.825	55.562	1.52	77.785	
72212C	72487	2.125	1.291	0.14	4.875	1.000	0.13	1.438	TS
		53.975	32.791	3.50	123.825	25.400	3.30	36.512	
72212C	72488D	2.125	1.291	0.14	4.875	2.188	0.06	3.062	TDO
		53.975	32.791	3.50	123.825	55.562	1.52	77.785	
72218C	72487	2.188	1.291	0.14	4.875	1.000	0.13	1.438	TS
		55.562	32.791	3.50	123.825	25.400	3.30	36.512	
72218C	72488D	2.188	1.291	0.14	4.875	2.188	0.06	3.062	TDO
		55.562	32.791	3.50	123.825	55.562	1.52	77.785	
72225C	72487	2.250	1.291	0.14	4.875	1.000	0.13	1.438	TS
		57.150	32.791	3.50	123.825	25.400	3.30	36.512	
72225C	72488D	2.250	1.291	0.14	4.875	2.188	0.06	3.062	TDO
		57.150	32.791	3.50	123.825	55.562	1.52	77.785	
LM72849	LM72810	0.890	0.610	0.06	1.850	0.472	0.04	0.610	TS
		22.606	15.500	1.52	47.000	12.000	1.02	15.500	
73562	73876CD	5.625	1.245	0.14	8.750	2.125	0.09	2.980	TDO
		142.875	31.623	3.50	222.250	53.975	2.29	75.700	
74500	74850	5.000	1.875	0.14	8.500	1.375	0.13	1.875	TS
		127.000	47.625	3.50	215.900	34.925	3.30	47.625	
74500	74851CD	5.000	1.875	0.14	8.500	3.188	0.06	4.188	TDO
		127.000	47.625	3.50	215.900	80.962	1.52	106.362	
74525	74850	5.250	1.875	0.14	8.500	1.375	0.13	1.875	TS
		133.350	47.625	3.50	215.900	34.925	3.30	47.625	
74525	74851CD	5.250	1.875	0.14	8.500	3.188	0.06	4.188	TDO
		133.350	47.625	3.50	215.900	80.962	1.52	106.362	
74537	74850	5.375	1.875	0.14	8.500	1.375	0.13	1.875	TS
		136.525	47.625	3.50	215.900	34.925	3.30	47.625	
74537	74851CD	5.375	1.875	0.14	8.500	3.188	0.06	4.188	TDO
		136.525	47.625	3.50	215.900	80.962	1.52	106.362	
74550	74845	5.500	1.875	0.14	8.464	1.375	0.13	1.875	TS
		139.700	47.625	3.50	214.975	34.925	3.30	47.625	
74550	74850	5.500	1.875	0.14	8.500	1.375	0.13	1.875	TS
		139.700	47.625	3.50	215.900	34.925	3.30	47.625	
74550	74850-B	5.500	1.875	0.14	8.500	1.375	0.13	0.813	TSF
		139.700	47.625	3.50	215.900	34.925	3.30	20.638	
74550	74851CD	5.500	1.875	0.14	8.500	3.188	0.06	4.188	TDO
		139.700	47.625	3.50	215.900	80.962	1.52	106.362	
74550A	74850	5.500	1.875	0.25	8.500	1.375	0.13	1.875	TS
		139.700	47.625	6.35	215.900	34.925	3.30	47.625	
74550A	74851CD	5.500	1.875	0.25	8.500	3.188	0.06	4.188	TDO
		139.700	47.625	6.35	215.900	80.962	1.52	106.362	

Numerical Listing

Part Number		Cone			Cup			Bearing	Brg
Cone	Cup	Bore d	Width B	BF Radius R	OD D	Width C	BF Radius r	Width T / T1	Type
77362	77675	3.625	1.900	0.14	6.750	1.500	0.13	1.875	TS
		92.075	48.260	3.50	171.450	38.100	3.30	47.625	
77375	77675	3.750	1.900	0.14	6.750	1.500	0.13	1.875	TS
		95.250	48.260	3.50	171.450	38.100	3.30	47.625	
78215C	78551	2.125	1.309	0.14	5.513	0.926	0.09	1.438	TS
		53.975	33.236	3.50	140.030	23.520	2.29	36.512	
78216D	78537	2.165	2.598	0.09	5.375	0.926	0.13	2.602	TDI
		54.987	65.989	2.29	136.525	23.520	3.30	66.091	
78216D	78551	2.165	2.598	0.09	5.513	0.926	0.09	2.602	TDI
		54.987	65.989	2.29	140.030	23.520	2.29	66.091	
78225	78551	2.250	1.309	0.14	5.513	0.926	0.09	1.438	TS
		57.150	33.236	3.50	140.030	23.520	2.29	36.512	
78225C	78551	2.250	1.309	0.14	5.513	0.926	0.09	1.438	TS
		57.150	33.236	3.50	140.030	23.520	2.29	36.512	
78250	78537	2.500	1.309	0.09	5.375	0.926	0.13	1.438	TS
		63.500	33.236	2.29	136.525	23.520	3.30	36.512	
78250	78551	2.500	1.309	0.09	5.513	0.926	0.09	1.438	TS
		63.500	33.236	2.29	140.030	23.520	2.29	36.512	
78250AC	78537	2.500	1.309	0.20	5.375	0.926	0.13	1.438	TS
		63.500	33.236	5.00	136.525	23.520	3.30	36.512	
78250AC	78551	2.500	1.309	0.20	5.513	0.926	0.09	1.438	TS
		63.500	33.236	5.00	140.030	23.520	2.30	36.512	
LM78349	LM78310A	1.378	0.669	0.14	2.440	0.535	0.06	0.658	TS
		34.987	17.000	3.50	61.975	13.600	1.52	16.700	
LM78349	LM78310C	1.378	0.669	0.14	2.440	0.591	0.06	0.709	TS
		34.987	17.000	3.50	61.975	15.000	1.52	18.000	
LM78349A	LM78310A	1.378	0.669	0.06	2.440	0.535	0.06	0.658	TS
		34.987	17.000	1.52	61.975	13.600	1.52	16.700	
HM81649	HM81610	0.629	0.827	0.04	1.849	0.630	0.08	0.827	TS
		15.987	21.000	1.02	46.975	16.000	2.03	21.000	
82562A	82931	5.625	2.230	0.31	9.313	1.750	0.13	2.250	TS
		142.875	56.642	8.00	236.538	44.450	3.30	57.150	
82562A	82950	5.625	2.230	0.31	9.500	1.750	0.13	2.250	TS
		142.875	56.642	8.00	241.300	44.450	3.30	57.150	
82576	82931	5.750	2.230	0.14	9.313	1.750	0.13	2.250	TS
		146.050	56.642	3.50	236.538	44.450	3.30	57.150	
82576	82950	5.750	2.230	0.14	9.500	1.750	0.13	2.250	TS
		146.050	56.642	3.50	241.300	44.450	3.30	57.150	
82576	82950-B	5.750	2.230	0.14	9.500	1.750	0.13	0.875	TSF
		146.050	56.642	3.50	241.300	44.450	3.30	22.225	
82576	82951CD	5.750	2.230	0.14	9.500	4.188	0.06	5.188	TDO
		146.050	56.642	3.50	241.300	106.362	1.52	131.762	
82680X	82620	7.000	2.438	0.13	11.000	1.719	0.13	2.438	TS
		177.800	61.912	3.30	279.400	43.655	3.30	61.912	

Numerical Listing

Part Number		Cone			Cup			Bearing	Brg
Cone	Cup	Bore d	Width B	BF Radius R	OD D	Width C	BF Radius r	Width T / T1	Type
M84249	M84210	1.000 25.400	0.910 23.114	0.03 0.76	2.344 59.530	0.720 18.288	0.06 1.52	0.920 23.368	TS
M84548	M84510	1.000 25.400	0.765 19.431	0.06 1.52	2.250 57.150	0.580 14.732	0.06 1.52	0.765 19.431	TS
M84549	M84510	1.063 26.987	0.765 19.431	0.06 1.52	2.250 57.150	0.580 14.732	0.06 1.52	0.765 19.431	TS
M86643	M86610	1.000 25.400	0.844 21.433	0.06 1.52	2.531 64.292	0.656 16.670	0.06 1.52	0.844 21.433	TS
M86647	M86610	1.125 28.575	0.844 21.433	0.06 1.52	2.531 64.292	0.656 16.670	0.06 1.52	0.844 21.433	TS
M86648A	M86610	1.219 30.955	0.844 21.433	0.06 1.52	2.531 64.292	0.656 16.670	0.06 1.52	0.844 21.433	TS
M86649	M86610	1.188 30.162	0.844 21.433	0.06 1.52	2.531 64.292	0.656 16.670	0.06 1.52	0.844 21.433	TS
86650	86100	6.500 165.100	1.813 46.038	0.19 4.83	10.000 254.000	1.313 33.338	0.13 3.30	1.813 46.038	TS
86669	86100	6.693 170.000	1.813 46.038	0.19 4.83	10.000 254.000	1.313 33.338	0.13 3.30	1.813 46.038	TS
86669	86100-B	6.693 170.000	1.813 46.038	0.19 4.83	10.000 254.000	1.313 33.338	0.13 3.30	0.875 22.225	TSF
87737	87111	7.375 187.325	1.875 47.625	0.14 3.50	11.125 282.575	1.438 36.512	0.13 3.30	2.000 50.800	TS
87737	87112D	7.375 187.325	1.875 47.625	0.14 3.50	11.125 282.575	3.125 79.375	0.06 1.52	4.250 107.950	TDO
87737	87112DC	7.375 187.325	1.875 47.625	0.14 3.50	11.125 282.575	3.125 79.375	0.06 1.52	4.250 107.950	TDO
87750	87111	7.500 190.500	1.875 47.625	0.14 3.50	11.125 282.575	1.438 36.512	0.13 3.30	2.000 50.800	TS
87750	87111-B	7.500 190.500	1.875 47.625	0.14 3.50	11.125 282.575	1.438 36.512	0.13 3.30	0.938 23.812	TSF
87750	87112D	7.500 190.500	1.875 47.625	0.14 3.50	11.125 282.575	3.125 79.375	0.06 1.52	4.250 107.950	TDO
87750	87112DC	7.500 190.500	1.875 47.625	0.14 3.50	11.125 282.575	3.125 79.375	0.06 1.52	4.250 107.950	TDO
87762	87111	7.625 193.675	1.875 47.625	0.14 3.50	11.125 282.575	1.438 36.512	0.13 3.30	2.000 50.800	TS
87762	87111-B	7.625 193.675	1.875 47.625	0.14 3.50	11.125 282.575	1.438 36.512	0.13 3.30	0.938 23.812	TSF
87762	87112D	7.625 193.675	1.875 47.625	0.14 3.50	11.125 282.575	3.125 79.375	0.06 1.52	4.250 107.950	TDO
87762	87112DC	7.625 193.675	1.875 47.625	0.14 3.50	11.125 282.575	3.125 79.375	0.06 1.52	4.250 107.950	TDO
M88043	M88010	1.188 30.162	0.875 22.225	0.09 2.30	2.688 68.262	0.688 17.462	0.06 1.50	0.875 22.225	TS

Numerical Listing

Part Number		Cone			Cup			Bearing	Brg
Cone	Cup	Bore d	Width B	BF Radius R	OD D	Width C	BF Radius r	Width T / T1	Type
M88043	M88011	1.188	0.875	0.09	2.688	0.688	0.09	0.875	TS
		30.162	22.225	2.30	68.262	17.462	2.30	22.225	
M88043	M88012	1.188	0.875	0.09	2.688	0.688	0.03	0.875	TS
		30.162	22.225	2.30	68.262	17.462	0.80	22.225	
M88043	M88022	1.188	0.875	0.09	3.000	0.688	0.03	0.875	TS
		30.162	22.225	2.30	76.200	17.462	0.80	22.225	
M88047	M88010	1.313	0.875	0.22	2.688	0.688	0.06	0.875	TS
		33.338	22.225	5.50	68.262	17.462	1.50	22.225	
M88047	M88011	1.313	0.875	0.22	2.688	0.688	0.09	0.875	TS
		33.338	22.225	5.50	68.262	17.462	2.30	22.225	
M88047	M88012	1.313	0.875	0.22	2.688	0.688	0.03	0.875	TS
		33.338	22.225	5.50	68.262	17.462	0.80	22.225	
M88047	M88022	1.313	0.875	0.22	3.000	0.688	0.03	0.875	TS
		33.338	22.225	5.50	76.200	17.462	0.80	22.225	
M88048	M88010	1.313	0.875	0.03	2.688	0.688	0.06	0.875	TS
		33.338	22.225	0.76	68.262	17.462	1.52	22.225	
JHM88540	JHM88513	1.181	1.094	0.05	2.835	0.906	0.13	1.156	TS
		30.000	27.783	1.27	72.000	23.020	3.30	29.370	
HM88542	HM88510	1.250	1.094	0.05	2.875	0.906	0.13	1.156	TS
		31.750	27.783	1.27	73.025	23.020	3.30	29.370	
HM88542	HM88511	1.250	1.094	0.05	2.875	0.906	0.03	1.156	TS
		31.750	27.783	1.27	73.025	23.020	0.76	29.370	
HM88542	HM88512	1.250	1.094	0.05	2.906	0.906	0.13	1.156	TS
		31.750	27.783	1.27	73.812	23.020	3.30	29.370	
HM88547	HM88510	1.313	1.094	0.03	2.875	0.906	0.13	1.156	TS
		33.338	27.783	0.76	73.025	23.020	3.30	29.370	
HM88630	HM88610	1.000	1.000	0.03	2.844	0.781	0.09	1.000	TS
		25.400	25.400	0.76	72.233	19.842	2.29	25.400	
HM88648	HM88610	1.406	1.000	0.14	2.844	0.781	0.09	1.000	TS
		35.717	25.400	3.50	72.233	19.842	2.29	25.400	
HM88648	HM88611AS	1.406	1.000	0.14	2.859	0.781	0.13	1.000	TS
		35.717	25.400	3.50	72.626	19.842	3.30	25.400	
HM88649	HM88610	1.375	1.000	0.09	2.844	0.781	0.09	1.000	TS
		34.925	25.400	2.29	72.233	19.842	2.29	25.400	
88900	88126	9.000	1.938	0.25	12.625	1.313	0.13	2.000	TS
		228.600	49.212	6.35	320.675	33.338	3.30	50.800	
88925	88126	9.250	1.938	0.25	12.625	1.313	0.13	2.000	TS
		234.950	49.212	6.35	320.675	33.338	3.30	50.800	
88931	88126	9.313	1.750	0.14	12.625	1.313	0.13	1.750	TS
		236.538	44.450	3.50	320.675	33.338	3.30	44.450	
HM89249	HM89210	1.438	1.135	0.14	3.125	0.892	0.13	1.156	TS
		36.512	28.829	3.50	79.375	22.664	3.30	29.370	
HM89440	HM89410	1.250	1.125	0.03	3.000	0.906	0.13	1.156	TS
		31.750	28.575	0.76	76.200	23.020	3.30	29.370	

bearing
specification:
0010110111011100110101
0010110111011100110101

TIMKEN®

Numerical Listing

Part Number		Cone			Cup			Bearing	Brg
Cone	Cup	Bore d	Width B	BF Radius R	OD D	Width C	BF Radius r	Width T / T1	Type
HM89443	HM89410	1.313	1.125	0.03	3.000	0.906	0.13	1.156	TS
		33.338	28.575	0.76	76.200	23.020	3.30	29.370	
HM89444	HM89410	1.313	1.125	0.15	3.000	0.906	0.13	1.156	TS
		33.338	28.575	3.81	76.200	23.020	3.30	29.370	
HM89446	HM89410	1.375	1.125	0.14	3.000	0.906	0.13	1.156	TS
		34.925	28.575	3.50	76.200	23.020	3.30	29.370	
HM89448	HM89410	1.438	1.125	0.03	3.000	0.906	0.13	1.156	TS
		36.512	28.575	0.76	76.200	23.020	3.30	29.370	
HM89449	HM89410	1.438	1.125	0.14	3.000	0.906	0.13	1.156	TS
		36.512	28.575	3.50	76.200	23.020	3.30	29.370	
HM89449	HM89411	1.438	1.125	0.14	3.000	0.906	0.03	1.156	TS
		36.512	28.575	3.50	76.200	23.020	0.76	29.370	
90334	90744	3.347	2.077	0.14	7.438	1.250	0.13	2.098	TS
		85.000	52.761	3.50	188.912	31.750	3.30	53.297	
J90354	J90748	3.543	1.813	0.14	7.480	1.250	0.13	2.000	TS
		90.000	46.038	3.50	190.000	31.750	3.30	50.800	
90381	90744	3.813	1.813	0.14	7.438	1.250	0.13	2.000	TS
		96.838	46.038	3.50	188.912	31.750	3.30	50.800	
93708	93127CD	7.086	2.500	0.14	12.500	4.375	0.06	5.750	TDO
		179.975	63.500	3.50	317.500	111.125	1.52	146.050	
93750	93125	7.500	2.500	0.17	12.500	1.813	0.13	2.500	TS
		190.500	63.500	4.32	317.500	46.038	3.30	63.500	
93750	93127CD	7.500	2.500	0.17	12.500	4.375	0.06	5.750	TDO
		190.500	63.500	4.32	317.500	111.125	1.52	146.050	
93787	93125	7.875	2.500	0.17	12.500	1.813	0.13	2.500	TS
		200.025	63.500	4.32	317.500	46.038	3.30	63.500	
93787	93127CD	7.875	2.500	0.17	12.500	4.375	0.06	5.750	TDO
		200.025	63.500	4.32	317.500	111.125	1.52	146.050	
93800	93125	8.000	2.500	0.17	12.500	1.813	0.13	2.500	TS
		203.200	63.500	4.32	317.500	46.038	3.30	63.500	
93800	93127CD	8.000	2.500	0.17	12.500	4.375	0.06	5.750	TDO
		203.200	63.500	4.32	317.500	111.125	1.52	146.050	
93800D	93125	8.000	4.875	0.06	12.500	1.813	0.13	4.875	TDI
		203.200	123.825	1.52	317.500	46.038	3.30	123.825	
93801D	93125	8.000	5.250	0.25	12.500	1.813	0.13	5.250	TDI
		203.200	133.350	6.35	317.500	46.038	3.30	133.350	
93825	93125	8.250	2.500	0.17	12.500	1.813	0.13	2.500	TS
		209.550	63.500	4.32	317.500	46.038	3.30	63.500	
93825	93125-B	8.250	2.500	0.17	12.500	1.813	0.13	1.125	TSF
		209.550	63.500	4.32	317.500	46.038	3.30	28.575	
93825	93127CD	8.250	2.500	0.17	12.500	4.375	0.06	5.750	TDO
		209.550	63.500	4.32	317.500	111.125	1.52	146.050	
94649	94113	6.500	2.500	0.28	11.375	1.875	0.13	2.500	TS
		165.100	63.500	7.00	288.925	47.625	3.30	63.500	

Numerical Listing

Part Number		Cone			Cup			Bearing	
		Bore	Width	BF Radius	OD	Width	BF Radius	Width	Brg
Cone	Cup	d	B	R	D	C	r	T / T1	Type
94649	94114CD	6.500	2.500	0.28	11.375	4.375	0.06	5.625	TDO
		165.100	63.500	7.00	288.925	111.125	1.52	142.875	
94687	94113	6.875	2.500	0.28	11.375	1.875	0.13	2.500	TS
		174.625	63.500	7.00	288.925	47.625	3.30	63.500	
94687	94114CD	6.875	2.500	0.28	11.375	4.375	0.06	5.625	TDO
		174.625	63.500	7.00	288.925	111.125	1.52	142.875	
94700	94113	7.000	2.500	0.28	11.375	1.875	0.13	2.500	TS
		177.800	63.500	7.00	288.925	47.625	3.30	63.500	
94700	94113-B	7.000	2.500	0.28	11.375	1.875	0.13	1.063	TSF
		177.800	63.500	7.00	288.925	47.625	3.30	26.988	
94700	94114CD	7.000	2.500	0.28	11.375	4.375	0.06	5.625	TDO
		177.800	63.500	7.00	288.925	111.125	1.52	142.875	
94706D	94113	7.000	4.875	0.06	11.375	1.875	0.13	4.875	TDI
		177.800	123.825	1.52	288.925	47.625	3.30	123.825	
95475	95925	4.750	2.500	0.25	9.250	1.938	0.13	2.500	TS
		120.650	63.500	6.35	234.950	49.212	3.30	63.500	
95475	95927CD	4.750	2.500	0.25	9.250	4.500	0.06	5.625	TDO
		120.650	63.500	6.35	234.950	114.300	1.52	142.875	
95500	95905	5.000	2.500	0.25	9.055	1.938	0.13	2.500	TS
		127.000	63.500	6.35	230.000	49.212	3.30	63.500	
95500	95925	5.000	2.500	0.25	9.250	1.938	0.13	2.500	TS
		127.000	63.500	6.35	234.950	49.212	3.30	63.500	
95500	95925-B	5.000	2.500	0.25	9.250	1.938	0.13	1.000	TSF
		127.000	63.500	6.35	234.950	49.212	3.30	25.400	
95500	95927CD	5.000	2.500	0.25	9.250	4.500	0.06	5.625	TDO
		127.000	63.500	6.35	234.950	114.300	1.52	142.875	
95525	95925	5.250	2.500	0.38	9.250	1.938	0.13	2.500	TS
		133.350	63.500	9.65	234.950	49.212	3.30	63.500	
95525	95927CD	5.250	2.500	0.38	9.250	4.500	0.06	5.625	TDO
		133.350	63.500	9.65	234.950	114.300	1.52	142.875	
95528	95925	5.250	2.500	0.19	9.250	1.938	0.13	2.500	TS
		133.350	63.500	4.83	234.950	49.212	3.30	63.500	
95528	95925-B	5.250	2.500	0.19	9.250	1.938	0.13	1.000	TSF
		133.350	63.500	4.83	234.950	49.212	3.30	25.400	
95528	95927CD	5.250	2.500	0.19	9.250	4.500	0.06	5.625	TDO
		133.350	63.500	4.83	234.950	114.300	1.52	142.875	
96825	96140	8.250	2.625	0.28	14.000	1.875	0.13	2.688	TS
		209.550	66.675	7.00	355.600	47.625	3.30	68.262	
96851D	96140	8.500	5.125	0.25	14.000	1.875	0.13	5.000	TDI
		215.900	130.175	6.35	355.600	47.625	3.30	127.000	
96900	96140	9.000	2.625	0.28	14.000	1.875	0.13	2.688	TS
		228.600	66.675	7.00	355.600	47.625	3.30	68.262	
96900	96140CD	9.000	2.625	0.28	14.000	4.375	0.06	6.000	TDO
		228.600	66.675	7.00	355.600	111.125	1.52	152.400	

bearing
specification:
0010110111011100110101
0010110111011100110101

TIMKEN®

Numerical Listing

Part Number		Cone			Cup			Bearing	Brg
Cone	Cup	Bore d	Width B	BF Radius R	OD D	Width C	BF Radius r	Width T / T1	Type
96925	96140	9.250	2.625	0.28	14.000	1.875	0.13	2.688	TS
		234.950	66.675	7.00	355.600	47.625	3.30	68.262	
96925	96140CD	9.250	2.625	0.28	14.000	4.375	0.06	6.000	TDO
		234.950	66.675	7.00	355.600	111.125	1.52	152.400	
97500	97901D	5.000	1.946	0.14	9.000	3.313	0.09	4.563	TDO
		127.000	49.428	3.50	228.600	84.138	2.29	115.888	
98316	98789D	3.150	1.938	0.14	7.875	3.158	0.09	4.563	TDO
		80.000	49.212	3.50	200.025	80.216	2.29	115.888	
98335	98789D	3.347	1.938	0.14	7.875	3.158	0.09	4.563	TDO
		85.000	49.212	3.50	200.025	80.216	2.29	115.888	
98350	98788	3.500	1.938	0.14	7.874	1.375	0.13	2.077	TS
		88.900	49.212	3.50	200.000	34.925	3.30	52.761	
98350	98789D	3.500	1.938	0.14	7.875	3.158	0.09	4.563	TDO
		88.900	49.212	3.50	200.025	80.216	2.29	115.888	
98400	98788	4.000	1.938	0.14	7.874	1.375	0.13	2.077	TS
		101.600	49.212	3.50	200.000	34.925	3.30	52.761	
98400	98788-B	4.000	1.938	0.14	7.874	1.375	0.13	1.077	TSF
		101.600	49.212	3.50	200.000	34.925	3.30	27.361	
98400	98789D	4.000	1.938	0.14	7.875	3.158	0.09	4.563	TDO
		101.600	49.212	3.50	200.025	80.216	2.29	115.888	
99550	99100	5.500	2.625	0.28	10.000	1.875	0.13	2.625	TS
		139.700	66.675	7.00	254.000	47.625	3.30	66.675	
99550	99102CD	5.500	2.625	0.28	10.000	4.375	0.06	5.875	TDO
		139.700	66.675	7.00	254.000	111.125	1.52	149.225	
99575	99100	5.750	2.625	0.28	10.000	1.875	0.13	2.625	TS
		146.050	66.675	7.00	254.000	47.625	3.30	66.675	
99575	99102CD	5.750	2.625	0.28	10.000	4.375	0.06	5.875	TDO
		146.050	66.675	7.00	254.000	111.125	1.52	149.225	
99600	99100	6.000	2.625	0.28	10.000	1.875	0.13	2.625	TS
		152.400	66.675	7.00	254.000	47.625	3.30	66.675	
99600	99100-B	6.000	2.625	0.28	10.000	1.875	0.13	1.188	TSF
		152.400	66.675	7.00	254.000	47.625	3.30	30.162	
99600	99102CD	6.000	2.625	0.28	10.000	4.375	0.06	5.875	TDO
		152.400	66.675	7.00	254.000	111.125	1.52	149.225	
L102849	L102810	1.750	0.719	0.06	2.875	0.594	0.06	0.719	TS
		44.450	18.258	1.52	73.025	15.083	1.52	18.258	
LM102949	LM102910	1.781	0.780	0.14	2.891	0.620	0.03	0.770	TS
		45.242	19.812	3.50	73.431	15.748	0.76	19.558	
LM102949	LM102911	1.781	0.780	0.14	2.891	0.694	0.03	0.844	TS
		45.242	19.812	3.50	73.431	17.620	0.80	21.430	
LM102949CP	LM102911	1.781	0.780	0.14	2.891	0.694	0.03	0.844	TS
		45.242	19.812	3.50	73.431	17.620	0.80	21.430	
LM102949P	LM102911	1.781	0.780	0.14	2.891	0.694	0.03	0.844	TS
		45.242	19.812	3.50	73.431	17.620	0.80	21.430	

Numerical Listing

Part Number		Cone			Cup			Bearing	
Cone	Cup	Bore d	Width B	BF Radius R	OD D	Width C	BF Radius r	Width T / T1	Brg Type
LL103049	LL103010	1.750	0.500	0.06	2.813	0.375	0.06	0.500	TS
		44.450	12.700	1.52	71.438	9.525	1.52	12.700	
LL103049	LL103010-B	1.750	0.500	0.06	2.813	0.375	0.06	0.235	TSF
		44.450	12.700	1.52	71.438	9.525	1.52	5.969	
JLM104942A	LM104911A	1.913	0.847	0.01	3.250	0.730	0.03	0.911	TS
		48.600	21.500	0.40	82.550	18.542	0.80	23.147	
JLM104945	LM104911A	1.969	1.091	0.12	3.250	0.730	0.03	0.911	TS
		50.000	27.700	3.00	82.550	18.542	0.80	23.147	
JLM104946	LM104911A	1.969	0.945	0.14	3.250	0.730	0.03	0.911	TS
		50.000	23.993	3.50	82.550	18.542	0.80	23.147	
LM104947A	LM104911	1.968	0.875	0.02	3.250	0.650	0.05	0.850	TS
		49.987	22.225	0.51	82.550	16.510	1.27	21.590	
LM104947A	LM104911A	1.968	0.875	0.02	3.250	0.730	0.03	0.930	TS
		49.987	22.225	0.50	82.550	18.542	0.80	23.622	
JLM104948	JLM104910	1.969	0.847	0.12	3.228	0.669	0.02	0.847	TS
		50.000	21.500	3.05	82.000	17.000	0.51	21.500	
JLM104948	LM104911A	1.969	0.847	0.12	3.250	0.730	0.03	0.911	TS
		50.000	21.500	3.00	82.550	18.542	0.80	23.147	
LM104949	LM104911	2.000	0.875	0.14	3.250	0.650	0.05	0.850	TS
		50.800	22.225	3.50	82.550	16.510	1.27	21.590	
LM104949	LM104911A	2.000	0.875	0.14	3.250	0.730	0.03	0.930	TS
		50.800	22.225	3.50	82.550	18.542	0.80	23.622	
LM104949	LM104912	2.000	0.875	0.14	3.265	0.650	0.05	0.850	TS
		50.800	22.225	3.50	82.931	16.510	1.27	21.590	
LM104949P	LM104911A	2.000	0.875	0.14	3.250	0.730	0.03	0.930	TS
		50.800	22.225	3.50	82.550	18.542	0.80	23.622	
EE107057	107105	5.750	2.938	0.25	10.563	2.250	0.25	2.938	TS
		146.050	74.612	6.35	268.288	57.150	6.35	74.612	
EE107057	107105CD	5.750	2.938	0.25	10.563	4.938	0.06	6.313	TDO
		146.050	74.612	6.35	268.288	125.412	1.52	160.338	
EE107060	107105	6.000	2.938	0.25	10.563	2.250	0.25	2.938	TS
		152.400	74.612	6.35	268.288	57.150	6.35	74.612	
EE107060	107105CD	6.000	2.938	0.25	10.563	4.938	0.06	6.313	TDO
		152.400	74.612	6.35	268.288	125.412	1.52	160.338	
M111048	M111012	2.500	1.020	0.03	4.250	0.800	0.03	1.000	TS
		63.500	25.908	0.80	107.950	20.320	0.80	25.397	
EE113089	113170	8.992	3.375	0.25	17.000	1.938	0.25	3.625	TS
		228.397	85.725	6.35	431.800	49.212	6.35	92.075	
EE113089	113171D	8.992	3.375	0.25	17.000	4.375	0.13	7.750	TDO
		228.397	85.725	6.35	431.800	111.125	3.30	196.850	
EE113091	113170	8.995	3.375	0.25	17.000	1.938	0.25	3.625	TS
		228.460	85.725	6.35	431.800	49.212	6.35	92.075	
EE113091	113171D	8.995	3.375	0.25	17.000	4.375	0.13	7.750	TDO
		228.460	85.725	6.35	431.800	111.125	3.30	196.850	

bearing
specification:
0010110111011100110101
0010110111011100110101

TIMKEN®

Numerical Listing

Part Number		Cone			Cup			Bearing	Brg
Cone	Cup	Bore d	Width B	BF Radius R	OD D	Width C	BF Radius r	Width T / T1	Type
EE114080	114160	8.000	3.375	0.25	16.000	2.250	0.25	3.625	TS
		203.200	85.725	6.35	406.400	57.150	6.35	92.075	
EE114080	114161D	8.000	3.375	0.25	16.000	5.000	0.13	7.750	TDO
		203.200	85.725	6.35	406.400	127.000	3.30	196.850	
L116149	L116110	3.250	0.844	0.06	4.563	0.656	0.06	0.813	TS
		82.550	21.433	1.52	115.888	16.670	1.52	20.638	
L116149	L116110D	3.250	0.844	0.06	4.563	1.563	0.03	1.875	TDO
		82.550	21.433	1.52	115.888	39.690	0.76	47.625	
LM121349	LM121310	4.212	1.102	0.09	5.786	0.945	0.09	1.122	TS
		106.975	28.000	2.29	147.000	24.000	2.29	28.500	
LM122948	LM122911	4.500	1.375	0.13	6.250	1.188	0.13	1.375	TS
		114.300	34.925	3.30	158.750	30.162	3.30	34.925	
EE126096D	126150	9.625	5.750	0.13	15.000	2.250	0.19	5.750	TDI
		244.475	146.050	3.30	381.000	57.150	4.83	146.050	
EE126097	126150	9.625	3.000	0.25	15.000	2.250	0.19	3.125	TS
		244.475	76.200	6.35	381.000	57.150	4.83	79.375	
EE126097	126151CD	9.625	3.000	0.25	15.000	5.000	0.06	6.750	TDO
		244.475	76.200	6.35	381.000	127.000	1.52	171.450	
EE126098	126150	9.813	3.000	0.25	15.000	2.250	0.19	3.125	TS
		249.250	76.200	6.35	381.000	57.150	4.83	79.375	
EE126098	126151CD	9.813	3.000	0.25	15.000	5.000	0.06	6.750	TDO
		249.250	76.200	6.35	381.000	127.000	1.52	171.450	
EE127095	127135	9.500	2.250	0.25	13.746	1.750	0.13	2.250	TS
		241.300	57.150	6.35	349.148	44.450	3.30	57.150	
EE127095	127136CD	9.500	2.250	0.25	13.746	4.000	0.06	5.000	TDO
		241.300	57.150	6.35	349.148	101.600	1.52	127.000	
EE127097DW	127135	9.507	4.250	0.06	13.746	1.750	0.13	4.250	TDI
		241.478	107.950	1.52	349.148	44.450	3.30	107.950	
HM127440	HM127415XD	5.000	2.250	0.06	8.188	6.000	0.04	5.760	TDO
		126.987	57.150	1.52	207.962	152.400	1.02	146.304	
HM127446	HM127415XD	5.187	2.250	0.06	8.188	6.000	0.04	5.760	TDO
		131.750	57.150	1.52	207.962	152.400	1.02	146.304	
HM129843	HM129814XD	5.511	2.313	0.12	8.688	6.437	0.04	6.135	TDO
		139.967	58.738	3.05	220.662	163.510	1.02	155.839	
HM129848	HM129814XD	5.687	2.313	0.06	8.688	6.437	0.04	6.135	TDO
		144.450	58.738	1.52	220.662	163.510	1.02	155.839	
EE130851	131400	8.500	2.750	0.27	14.000	1.938	0.06	2.750	TS
		215.900	69.850	6.80	355.600	49.212	1.52	69.850	
EE130902	131400	9.000	2.750	0.27	14.000	1.938	0.06	2.750	TS
		228.600	69.850	6.80	355.600	49.212	1.52	69.850	
EE130902	131401CD	9.000	2.750	0.27	14.000	4.375	0.06	6.000	TDO
		228.600	69.850	6.80	355.600	111.125	1.52	152.400	
HM133436	HM133413XD	5.904	2.750	0.12	9.838	6.299	0.04	6.054	TDO
		149.967	69.850	3.05	249.873	160.000	1.02	153.764	

Numerical Listing

Part Number		Cone			OD	Cup		Bearing Width	Brg Type
		Bore	Width	BF Radius		Width	BF Radius		
Cone	Cup	d	B	R	D	C	r	T / T1	
HM133436	HM133416XD	5.904	2.750	0.12	9.938	7.250	0.00	7.005	TDO
		149.967	69.850	3.05	252.412	184.150		177.914	
HM136940	HM136916XD	6.500	2.938	0.06	10.875	7.312	0.00	7.127	TDO
		167.627	74.612	1.52	276.225	185.725		181.023	
HM136948	HM136916XD	7.000	2.938	0.06	10.875	7.312	0.00	7.127	TDO
		177.787	74.612	1.52	276.225	185.725		181.023	
HH144642	HH144614	7.875	4.375	0.25	15.500	3.313	0.25	4.375	TS
		200.025	111.125	6.35	393.700	84.138	6.35	111.125	
EE170950	171450	9.500	2.000	0.25	14.500	1.313	0.13	2.000	TS
		241.300	50.800	6.35	368.300	33.338	3.30	50.800	
EE170950	171451CD	9.500	2.000	0.25	14.500	3.375	0.06	4.750	TDO
		241.300	50.800	6.35	368.300	85.725	1.52	120.650	
EE170975	171450	9.750	2.000	0.25	14.500	1.313	0.13	2.000	TS
		247.650	50.800	6.35	368.300	33.338	3.30	50.800	
EE170975	171451CD	9.750	2.000	0.25	14.500	3.375	0.06	4.750	TDO
		247.650	50.800	6.35	368.300	85.725	1.52	120.650	
M201047	M201011	1.563	0.870	0.03	2.875	0.840	0.09	1.010	TS
		39.688	22.098	0.76	73.025	21.336	2.29	25.654	
M201047-S	M201011	1.563	0.870	0.03	2.875	0.840	0.09	1.010	TS
		39.688	22.098	0.80	73.025	21.336	2.30	25.654	
JM205149	JM205110	1.969	1.102	0.12	3.543	0.906	0.10	1.102	TS
		50.000	28.000	3.05	90.000	23.000	2.54	28.000	
JM205149A	JM205110	1.969	1.102	0.20	3.543	0.906	0.10	1.102	TS
		50.000	28.000	5.00	90.000	23.000	2.54	28.000	
LL205449	LL205410	2.000	0.500	0.06	3.063	0.375	0.06	0.500	TS
		50.800	12.700	1.52	77.788	9.525	1.52	12.700	
JM207049	JM207010	2.165	1.142	0.06	3.740	0.925	0.10	1.142	TS
		55.000	29.000	1.52	95.000	23.500	2.54	29.000	
JM207049A	JM207010	2.165	1.142	0.24	3.740	0.925	0.10	1.142	TS
		55.000	29.000	6.00	95.000	23.500	2.54	29.000	
JH-211749	JH-211710	2.559	1.516	0.12	4.724	1.260	0.10	1.535	TS
		65.000	38.500	3.05	120.000	32.000	2.54	39.000	
JH211749A	JH-211710	2.559	1.516	0.28	4.724	1.260	0.10	1.535	TS
		65.000	38.500	7.00	120.000	32.000	2.54	39.000	
HM212044	HM212011	2.375	1.510	0.31	4.813	1.170	0.13	1.500	TS
		60.325	38.354	8.00	122.238	29.718	3.30	38.100	
HM212046	HM212011	2.500	1.510	0.14	4.813	1.170	0.13	1.500	TS
		63.500	38.354	3.50	122.238	29.718	3.30	38.100	
HM212047	HM212011	2.500	1.510	0.28	4.813	1.170	0.13	1.500	TS
		63.500	38.354	7.00	122.238	29.718	3.30	38.100	
HM212049	HM212010	2.625	1.510	0.14	4.813	1.170	0.06	1.500	TS
		66.675	38.354	3.50	122.238	29.718	1.52	38.100	
HM212049	HM212011	2.625	1.510	0.14	4.813	1.170	0.13	1.500	TS
		66.675	38.354	3.50	122.238	29.718	3.30	38.100	

bearing
specification:
0010110111011100110101
0010110111011100110101

TIMKEN®

Numerical Listing

Part Number		Cone			Cup			Bearing	Brg
Cone	Cup	Bore d	Width B	BF Radius R	OD D	Width C	BF Radius r	Width T / T1	Type
HM212049X	HM212011	2.625	1.510	0.28	4.813	1.170	0.13	1.500	TS
		66.675	38.354	7.00	122.238	29.718	3.30	38.100	
JH217249	JH217210	3.347	1.811	0.12	5.906	1.496	0.10	1.811	TS
		85.000	46.000	3.05	150.000	38.000	2.54	46.000	
L217845D	L217810	3.375	1.750	0.03	4.875	0.656	0.06	1.625	TDI
		85.725	44.450	0.76	123.825	16.670	1.52	41.278	
L217849	L217810	3.500	0.813	0.06	4.875	0.656	0.06	0.813	TS
		88.900	20.638	1.52	123.825	16.670	1.52	20.638	
L217849	L217810D	3.500	0.813	0.06	4.875	1.688	0.03	2.000	TDO
		88.900	20.638	1.52	123.825	42.862	0.76	50.797	
LL217849	LL217810	3.500	0.594	0.06	4.781	0.438	0.06	0.594	TS
		88.900	15.083	1.52	121.442	11.112	1.52	15.083	
HM218238	HM218210	3.149	1.575	0.28	5.786	1.280	0.14	1.575	TS
		79.975	40.000	7.00	146.975	32.500	3.50	40.000	
HM218248	HM218210	3.542	1.575	0.28	5.786	1.280	0.14	1.575	TS
		89.975	40.000	7.00	146.975	32.500	3.50	40.000	
EE219065	219117	6.500	3.250	0.25	11.750	2.500	0.25	3.250	TS
		165.100	82.550	6.35	298.450	63.500	6.35	82.550	
EE219065	219122	6.500	3.250	0.25	12.250	2.500	0.25	3.250	TS
		165.100	82.550	6.35	311.150	63.500	6.35	82.550	
EE219068	219117	6.875	3.250	0.25	11.750	2.500	0.25	3.250	TS
		174.625	82.550	6.35	298.450	63.500	6.35	82.550	
EE219068	219122	6.875	3.250	0.25	12.250	2.500	0.25	3.250	TS
		174.625	82.550	6.35	311.150	63.500	6.35	82.550	
HM220149	HM220110	3.936	1.654	0.31	6.180	1.339	0.14	1.654	TS
		99.975	42.000	8.00	156.975	34.000	3.50	42.000	
HH221430	HH221410	3.000	2.265	0.14	7.500	1.813	0.13	2.250	TS
		76.200	57.531	3.50	190.500	46.038	3.30	57.150	
HH221431	HH221410	3.125	2.265	0.14	7.500	1.813	0.13	2.250	TS
		79.375	57.531	3.50	190.500	46.038	3.30	57.150	
HH221434	HH221410	3.500	2.265	0.31	7.500	1.813	0.13	2.250	TS
		88.900	57.531	8.00	190.500	46.038	3.30	57.150	
HH221440	HH221410	3.750	2.265	0.31	7.500	1.813	0.13	2.250	TS
		95.250	57.531	8.00	190.500	46.038	3.30	57.150	
HH221449	HH221410	4.000	2.265	0.31	7.500	1.813	0.13	2.250	TS
		101.600	57.531	8.00	190.500	46.038	3.30	57.150	
HH221449	HH221410-B	4.000	2.265	0.31	7.500	1.813	0.13	0.875	TSF
		101.600	57.531	8.00	190.500	46.038	3.30	22.225	
HH221449A	HH221410	4.000	2.265	0.14	7.500	1.813	0.13	2.250	TS
		101.600	57.531	3.50	190.500	46.038	3.30	57.150	
HH224334	HH224310CD	3.936	2.625	0.14	8.375	4.625	0.06	5.625	TDO
		99.975	66.675	3.50	212.725	117.475	1.52	142.875	
HH224335	HH224310	4.000	2.625	0.28	8.375	2.125	0.13	2.625	TS
		101.600	66.675	7.00	212.725	53.975	3.30	66.675	

Numerical Listing

Part Number		Cone			Cup			Bearing	Brg
Cone	Cup	Bore d	Width B	BF Radius R	OD D	Width C	BF Radius r	Width T / T1	Type
HH224335	HH224310CD	4.000	2.625	0.28	8.375	4.625	0.06	5.625	TDO
		101.600	66.675	7.00	212.725	117.475	1.52	142.875	
HH224340	HH224310CD	4.250	2.625	0.31	8.375	4.625	0.06	5.625	TDO
		107.950	66.675	8.00	212.725	117.475	1.52	142.875	
HH224346	HH224310	4.500	2.625	0.28	8.375	2.125	0.13	2.625	TS
		114.300	66.675	7.00	212.725	53.975	3.30	66.675	
HH224346	HH224310CD	4.500	2.625	0.28	8.375	4.625	0.06	5.625	TDO
		114.300	66.675	7.00	212.725	117.475	1.52	142.875	
HH224349	HH224310CD	4.527	2.625	0.28	8.375	4.625	0.06	5.625	TDO
		114.975	66.675	7.00	212.725	117.475	1.52	142.875	
M224749	M224710	4.750	1.438	0.14	6.875	1.094	0.06	1.406	TS
		120.650	36.512	3.50	174.625	27.783	1.52	35.720	
M224749	M224710D	4.750	1.438	0.14	6.875	2.438	0.03	3.063	TDO
		120.650	36.512	3.50	174.625	61.912	0.76	77.788	
M224749	M224711	4.750	1.438	0.14	6.781	1.094	0.06	1.406	TS
		120.650	36.512	3.50	172.242	27.783	1.52	35.720	
LL225749	LL225710	5.000	0.688	0.06	6.531	0.531	0.06	0.719	TS
		127.000	17.462	1.52	165.895	13.495	1.52	18.258	
L225842	L225810	4.750	1.031	0.06	6.688	0.813	0.06	1.000	TS
		120.650	26.195	1.52	169.862	20.638	1.52	25.400	
L225849	L225810	5.000	1.031	0.06	6.688	0.813	0.06	1.000	TS
		127.000	26.195	1.52	169.862	20.638	1.52	25.400	
L225849	L225818	5.000	1.031	0.06	7.125	0.813	0.06	1.000	TS
		127.000	26.195	1.52	180.975	20.638	1.52	25.400	
HH228340	HH228310	4.750	3.250	0.38	10.000	2.438	0.25	3.063	TS
		120.650	82.550	9.65	254.000	61.912	6.35	77.788	
HH228349	HH228310	5.000	3.250	0.38	10.000	2.438	0.25	3.063	TS
		127.000	82.550	9.65	254.000	61.912	6.35	77.788	
LM229140C	LM229110	5.375	1.299	0.14	7.676	1.083	0.14	1.299	TS
		136.525	33.000	3.50	194.975	27.500	3.50	33.000	
LM229147C	LM229110	5.625	1.299	0.14	7.676	1.083	0.14	1.299	TS
		142.875	33.000	3.50	194.975	27.500	3.50	33.000	
M229349	M229310	5.750	1.575	0.14	8.000	1.500	0.14	1.776	TS
		146.050	40.000	3.50	203.200	38.100	3.50	45.100	
HM231132	HM231110	5.500	2.230	0.14	9.313	1.750	0.13	2.250	TS
		139.700	56.642	3.50	236.538	44.450	3.30	57.150	
HM231140	HM231111CD	5.750	2.230	0.14	9.313	4.188	0.06	5.188	TDO
		146.050	56.642	3.50	236.538	106.362	1.52	131.762	
HM231148	HM231110	5.875	2.230	0.25	9.313	1.750	0.13	2.250	TS
		149.225	56.642	6.35	236.538	44.450	3.30	57.150	
HM231148	HM231111CD	5.875	2.230	0.25	9.313	4.188	0.06	5.188	TDO
		149.225	56.642	6.35	236.538	106.362	1.52	131.762	
HM231149	HM231111CD	5.875	2.230	0.14	9.313	4.188	0.06	5.188	TDO
		149.225	56.642	3.50	236.538	106.362	1.52	131.762	

Numerical Listing

Part Number		Cone			Cup			Bearing	Brg
Cone	Cup	Bore d	Width B	BF Radius R	OD D	Width C	BF Radius r	Width T / T1	Type
HH231637	HH231615	5.000 127.000	3.438 87.312	0.53 13.46	11.625 295.275	2.250 57.150	0.25 6.35	3.250 82.550	TS
M231648	M231610	6.000 152.400	1.844 46.830	0.31 8.00	8.750 222.250	1.375 34.925	0.06 1.52	1.844 46.830	TS
HH231649	HH231610	5.500 139.700	3.438 87.312	0.38 9.65	11.375 288.925	2.250 57.150	0.25 6.35	3.250 82.550	TS
HH231649	HH231615	5.500 139.700	3.438 87.312	0.38 9.65	11.625 295.275	2.250 57.150	0.25 6.35	3.250 82.550	TS
M231649	M231610	6.000 152.400	1.844 46.830	0.14 3.50	8.750 222.250	1.375 34.925	0.06 1.52	1.844 46.830	TS
HH234031	HH234010	5.500 139.700	3.688 93.662	0.38 9.65	12.125 307.975	2.625 66.675	0.27 6.80	3.500 88.900	TS
HH234048	HH234010	6.000 152.400	3.688 93.662	0.38 9.65	12.125 307.975	2.625 66.675	0.27 6.80	3.500 88.900	TS
HH234049	HH234010	6.000 152.400	3.688 93.662	0.38 9.65	12.125 307.975	2.625 66.675	0.27 6.80	3.500 88.900	TS
M235145	M235113	6.500 165.100	1.813 46.038	0.19 4.83	10.000 254.000	1.313 33.338	0.13 3.30	1.813 46.038	TS
LM236749	LM236710A	7.250 184.150	1.299 33.000	0.08 2.03	9.261 235.229	1.102 28.000	0.08 2.03	1.339 34.000	TS
M236845	M236810	6.875 174.625	2.125 53.975	0.14 3.50	10.250 260.350	1.625 41.275	0.13 3.30	2.125 53.975	TS
M236848	M236810	7.000 177.800	2.125 53.975	0.31 8.00	10.250 260.350	1.625 41.275	0.13 3.30	2.125 53.975	TS
M236849	M236810	7.000 177.800	2.125 53.975	0.14 3.50	10.250 260.350	1.625 41.275	0.13 3.30	2.125 53.975	TS
HM237532	HM237510	6.312 160.325	2.500 63.500	0.28 7.00	11.375 288.925	1.875 47.625	0.13 3.30	2.500 63.500	TS
HM237532	HM237510CD	6.312 160.325	2.500 63.500	0.28 7.00	11.375 288.925	4.375 111.125	0.06 1.52	5.625 142.875	TDO
HM237535	HM237510	6.500 165.100	2.500 63.500	0.28 7.00	11.375 288.925	1.875 47.625	0.13 3.30	2.500 63.500	TS
HM237535	HM237510CD	6.500 165.100	2.500 63.500	0.28 7.00	11.375 288.925	4.375 111.125	0.06 1.52	5.625 142.875	TDO
HM237542	HM237510	6.875 174.625	2.500 63.500	0.28 7.00	11.375 288.925	1.875 47.625	0.13 3.30	2.500 63.500	TS
HM237542	HM237510CD	6.875 174.625	2.500 63.500	0.28 7.00	11.375 288.925	4.375 111.125	0.06 1.52	5.625 142.875	TDO
HM237545	HM237510	7.000 177.800	2.500 63.500	0.28 7.00	11.375 288.925	1.875 47.625	0.13 3.30	2.500 63.500	TS
HM237545	HM237510-B	7.000 177.800	2.500 63.500	0.28 7.00	11.375 288.925	1.875 47.625	0.13 3.30	1.063 26.988	TSF
HM237545	HM237510CD	7.000 177.800	2.500 63.500	0.28 7.00	11.375 288.925	4.375 111.125	0.06 1.52	5.625 142.875	TDO

Numerical Listing

Part Number		Cone			OD	Cup		Bearing Width	Brg Type
		Bore	Width	BF Radius		Width	BF Radius		
Cone	Cup	d	B	R	D	C	r	T / T1	
HM237545	HM237513	7.000	2.500	0.28	11.416	1.890	0.12	2.500	TS
		177.800	63.500	7.00	289.975	48.000	3.05	63.500	
HM237546D	HM237510	7.000	4.875	0.06	11.375	1.875	0.13	4.875	TDI
		177.800	123.825	1.52	288.925	47.625	3.30	123.825	
HM237546D	HM237513	7.000	4.875	0.06	11.416	1.890	0.12	4.875	TDI
		177.800	123.825	1.52	289.975	48.000	3.05	123.825	
H238140	H238110	6.500	3.250	0.25	12.250	2.563	0.25	3.250	TS
		165.100	82.550	6.35	311.150	65.088	6.35	82.550	
H238148	H238110	6.875	3.250	0.25	12.250	2.563	0.25	3.250	TS
		174.625	82.550	6.35	311.150	65.088	6.35	82.550	
M238840	M238810	7.000	2.188	0.14	10.625	1.688	0.13	2.188	TS
		177.800	55.562	3.50	269.875	42.862	3.30	55.562	
M238849	M238810	7.375	2.188	0.14	10.625	1.688	0.13	2.188	TS
		187.325	55.562	3.50	269.875	42.862	3.30	55.562	
H239640	H239610	7.000	3.375	0.14	12.597	2.563	0.19	3.500	TS
		177.800	85.725	3.50	319.964	65.088	4.83	88.900	
H239649	H239610	7.375	3.375	0.22	12.597	2.563	0.19	3.500	TS
		187.325	85.725	5.50	319.964	65.088	4.83	88.900	
H239649	H239612	7.375	3.375	0.22	12.625	2.563	0.19	3.500	TS
		187.325	85.725	5.50	320.675	65.088	4.83	88.900	
H239649	H239612CD	7.375	3.375	0.22	12.625	5.438	0.06	7.313	TDO
		187.325	85.725	5.50	320.675	138.112	1.52	185.738	
H239649D	H239610	7.375	6.375	0.13	12.597	2.563	0.19	6.625	TDI
		187.325	161.925	3.30	319.964	65.088	4.83	168.275	
H239649D	H239612	7.375	6.375	0.13	12.625	2.563	0.19	6.625	TDI
		187.325	161.925	3.30	320.675	65.088	4.83	168.275	
LM241149	LM241110	8.000	1.688	0.14	10.875	1.344	0.13	1.688	TS
		203.200	42.862	3.50	276.225	34.133	3.30	42.862	
LM241149	LM241110D	8.000	1.688	0.14	10.875	2.875	0.03	3.562	TDO
		203.200	42.862	3.50	276.225	73.025	0.76	90.485	
M241543	M241510	7.875	2.281	0.14	11.500	1.813	0.13	2.281	TS
		200.025	57.945	3.50	292.100	46.038	3.30	57.945	
M241543	M241510CD	7.875	2.281	0.14	11.500	4.000	0.06	4.938	TDO
		200.025	57.945	3.50	292.100	101.600	1.52	125.415	
M241547	M241510	8.000	2.281	0.14	11.500	1.813	0.13	2.281	TS
		203.200	57.945	3.50	292.100	46.038	3.30	57.945	
M241547	M241510CD	8.000	2.281	0.14	11.500	4.000	0.06	4.938	TDO
		203.200	57.945	3.50	292.100	101.600	1.52	125.415	
M241549	M241510	8.063	2.281	0.14	11.500	1.813	0.13	2.281	TS
		204.788	57.945	3.50	292.100	46.038	3.30	57.945	
M241549	M241510CD	8.063	2.281	0.14	11.500	4.000	0.06	4.938	TDO
		204.788	57.945	3.50	292.100	101.600	1.52	125.415	
H242649	H242610	8.125	3.938	0.13	13.250	3.063	0.13	3.875	TS
		206.375	100.012	3.30	336.550	77.788	3.30	98.425	

Numerical Listing

Part Number		Cone			Cup			Bearing	Brg
Cone	Cup	Bore d	Width B	BF Radius R	OD D	Width C	BF Radius r	Width T / T1	Type
H242649	H242610CD	8.125 206.375	3.938 100.012	0.13 3.30	13.250 336.550	6.688 169.862	0.06 1.52	8.313 211.138	TDO
H242649D	H242610	8.125 206.375	7.250 184.150	0.06 1.52	13.250 336.550	3.063 77.788	0.13 3.30	7.125 180.975	TDI
M244249	M244210	8.688 220.663	2.438 61.912	0.25 6.35	12.375 314.325	1.938 49.212	0.13 3.30	2.438 61.912	TS
M244249	M244210CD	8.688 220.663	2.438 61.912	0.25 6.35	12.375 314.325	4.188 106.362	0.06 1.52	5.188 131.762	TDO
M244249DW	M244210	8.688 220.662	4.563 115.888	0.06 1.52	12.375 314.325	1.938 49.212	0.13 3.30	4.563 115.888	TDI
LL244549	LL244510	9.125 231.775	0.847 21.500	0.08 2.03	10.563 268.288	0.728 18.500	0.08 2.03	0.886 22.500	TS
H244849D	H244810	8.625 219.075	7.875 200.025	0.06 1.52	14.125 358.775	3.375 85.725	0.25 6.35	7.750 196.850	TDI
LM245149DW	LM245110	9.000 228.600	3.750 95.250	0.06 1.52	12.250 311.150	1.500 38.100	0.13 3.30	3.750 95.250	TDI
M246942	M246910	9.125 231.775	2.563 65.088	0.25 6.35	13.250 336.550	2.000 50.800	0.13 3.30	2.563 65.088	TS
M246949	M246910	9.344 237.330	2.563 65.088	0.25 6.35	13.250 336.550	2.000 50.800	0.13 3.30	2.563 65.088	TS
H247535	H247510	7.875 200.025	4.438 112.712	0.25 6.35	15.125 384.175	3.563 90.488	0.25 6.35	4.438 112.712	TS
H247535	H247510CD	7.875 200.025	4.438 112.712	0.25 6.35	15.125 384.175	7.625 193.675	0.06 1.52	9.375 238.125	TDO
H247548	H247510	9.250 234.950	4.438 112.712	0.25 6.35	15.125 384.175	3.563 90.488	0.25 6.35	4.438 112.712	TS
H247549	H247510	9.250 234.950	4.438 112.712	0.25 6.35	15.125 384.175	3.563 90.488	0.25 6.35	4.438 112.712	TS
H247549	H247510CD	9.250 234.950	4.438 112.712	0.25 6.35	15.125 384.175	7.625 193.675	0.06 1.52	9.375 238.125	TDO
LM247748D	LM247710	9.625 244.475	3.625 92.075	0.06 1.52	12.875 327.025	1.500 38.100	0.13 3.30	3.625 92.075	TDI
H249148	H249111CD	9.500 241.300	3.938 100.012	0.25 6.35	16.000 406.400	7.250 184.150	0.06 1.52	8.500 215.900	TDO
M249732	M249710	9.000 228.600	2.813 71.438	0.14 3.50	14.125 358.775	2.125 53.975	0.13 3.30	2.813 71.438	TS
M249732	M249710CD	9.000 228.600	2.813 71.438	0.14 3.50	14.125 358.775	4.625 117.475	0.06 1.52	6.000 152.400	TDO
M249734	M249710	9.125 231.775	2.813 71.438	0.25 6.35	14.125 358.775	2.125 53.975	0.13 3.30	2.813 71.438	TS
HH249949	HH249910	9.750 247.650	4.625 117.475	0.25 6.35	16.000 406.400	3.688 93.662	0.25 6.35	4.563 115.888	TS
HH249949	HH249910CD	9.750 247.650	4.625 117.475	0.25 6.35	16.000 406.400	8.000 203.200	0.06 1.52	9.750 247.650	TDO

Numerical Listing

Part Number		Cone			Cup			Bearing	
		Bore	Width	BF Radius	OD	Width	BF Radius	Width	Brg
Cone	Cup	d	B	R	D	C	r	T / T1	Type
M252330	M252310	9.250	2.938	0.25	15.000	2.250	0.13	2.938	TS
		234.950	74.612	6.35	381.000	57.150	3.30	74.612	
M252330	M252310CD	9.250	2.938	0.25	15.000	4.875	0.06	6.250	TDO
		234.950	74.612	6.35	381.000	123.825	1.52	158.750	
M252337	M252310	9.750	2.938	0.25	15.000	2.250	0.13	2.938	TS
		247.650	74.612	6.35	381.000	57.150	3.30	74.612	
M252337	M252310CD	9.750	2.938	0.25	15.000	4.875	0.06	6.250	TDO
		247.650	74.612	6.35	381.000	123.825	1.52	158.750	
EE275095	275155	9.500	2.750	0.25	15.500	1.969	0.25	2.906	TS
		241.300	69.850	6.35	393.700	50.005	6.35	73.817	
EE275095	275156CD	9.500	2.750	0.25	15.500	4.313	0.06	6.188	TDO
		241.300	69.850	6.35	393.700	109.538	1.52	157.162	
EE280626	281200	6.250	2.721	0.25	12.000	1.688	0.13	2.625	TS
		158.750	69.106	6.35	304.800	42.862	3.30	66.675	
EE280700D	281200	7.000	4.500	0.13	12.000	1.688	0.13	4.309	TDI
		177.800	114.300	3.30	304.800	42.862	3.30	109.438	
LM300848	LM300811	1.625	0.709	0.14	2.676	0.532	0.06	0.689	TS
		41.275	18.000	3.50	67.975	13.500	1.52	17.500	
LM300849	LM300811	1.614	0.709	SPCL	2.676	0.532	0.06	0.689	TS
		40.987	18.000		67.975	13.500	1.52	17.500	
L305649	L305610	2.000	0.719	0.06	3.188	0.563	0.06	0.719	TS
		50.800	18.258	1.52	80.962	14.288	1.52	18.258	
L305649	L305610-B	2.000	0.719	0.06	3.188	0.563	0.06	0.281	TSF
		50.800	18.258	1.52	80.962	14.288	1.52	7.145	
JH307749	JH307710	2.165	1.535	0.12	4.331	1.260	0.10	1.535	TS
		55.000	39.000	3.05	110.000	32.000	2.54	39.000	
JHM318448	JHM318410	3.543	1.732	0.12	6.102	1.398	0.10	1.732	TS
		90.000	44.000	3.05	155.000	35.500	2.54	44.000	
L319249	L319210	3.750	0.844	0.06	5.125	0.656	0.06	0.813	TS
		95.250	21.433	1.52	130.175	16.670	1.52	20.638	
LL319349	LL319310	3.750	0.594	0.06	5.063	0.469	0.06	0.625	TS
		95.250	15.083	1.52	128.588	11.908	1.52	15.875	
L327249	L327210	5.250	1.031	0.06	6.969	0.813	0.06	1.000	TS
		133.350	26.195	1.52	177.008	20.638	1.52	25.400	
LM328448	LM328410	5.500	1.156	0.06	7.375	0.906	0.06	1.125	TS
		139.700	29.370	1.52	187.325	23.020	1.52	28.575	
LM330448	LM330410	6.000	1.625	0.13	8.000	1.375	0.13	1.625	TS
		152.400	41.275	3.30	203.200	34.925	3.30	41.275	
M348449	M348410	9.750	2.500	0.25	13.625	2.000	0.25	2.500	TS
		247.650	63.500	6.35	346.075	50.800	6.35	63.500	
EE350701	351687	7.000	3.750	0.25	16.875	2.438	0.25	4.188	TS
		177.800	95.250	6.35	428.625	61.912	6.35	106.362	
EE350750	351687	7.500	3.750	0.25	16.875	2.438	0.25	4.188	TS
		190.500	95.250	6.35	428.625	61.912	6.35	106.362	

Numerical Listing

Part Number		Cone			Cup			Bearing	
		Bore	Width	BF Radius	OD	Width	BF Radius	Width	Brg
Cone	Cup	d	B	R	D	C	r	T / T1	Type
EE380080	380190	8.000	3.750	0.25	19.000	2.875	0.25	4.625	TS
		203.200	95.250	6.35	482.600	73.025	6.35	117.475	
H414235	H414210	2.500	1.625	0.14	5.375	1.250	0.13	1.625	TS
		63.500	41.275	3.50	136.525	31.750	3.30	41.275	
H414242	H414210	2.625	1.625	0.14	5.375	1.250	0.13	1.625	TS
		66.675	41.275	3.50	136.525	31.750	3.30	41.275	
H414249	H414210	2.813	1.625	0.14	5.375	1.250	0.13	1.625	TS
		71.438	41.275	3.50	136.525	31.750	3.30	41.275	
H414249	H414210-B	2.813	1.625	0.14	5.375	1.250	0.13	0.655	TSF
		71.438	41.275	3.50	136.525	31.750	3.30	16.637	
JH415647	JH415610	2.953	2.008	0.12	5.709	1.654	0.10	2.008	TS
		75.000	51.000	3.05	145.000	42.000	2.54	51.000	
L420449	L420410	4.000	0.844	0.06	5.375	0.656	0.06	0.844	TS
		101.600	21.433	1.52	136.525	16.670	1.52	21.433	
LL420549	LL420510	4.000	0.594	0.06	5.313	0.469	0.06	0.625	TS
		101.600	15.083	1.52	134.938	11.908	1.52	15.875	
EE420750D	421437	7.500	6.000	0.13	14.372	2.500	0.13	6.250	TDI
		190.500	152.400	3.30	365.049	63.500	3.30	158.750	
EE420751	421437	7.500	3.500	0.25	14.372	2.500	0.13	3.625	TS
		190.500	88.897	6.35	365.049	63.500	3.30	92.075	
EE420751	421451CD	7.500	3.500	0.25	14.500	5.375	0.06	7.625	TDO
		190.500	88.897	6.35	368.300	136.525	1.52	193.675	
EE420800D	421437	8.000	6.000	0.13	14.372	2.500	0.13	6.250	TDI
		203.200	152.400	3.30	365.049	63.500	3.30	158.750	
EE420801	421437	8.000	3.500	0.13	14.372	2.500	0.13	3.625	TS
		203.200	88.897	3.30	365.049	63.500	3.30	92.075	
EE420801	421451CD	8.000	3.500	0.13	14.500	5.375	0.06	7.625	TDO
		203.200	88.897	3.30	368.300	136.525	1.52	193.675	
HH421246C	HH421210	3.875	2.500	0.25	7.250	2.063	0.13	2.500	TS
		98.425	63.500	6.35	184.150	52.388	3.30	63.500	
LL428349	LL428310	5.500	0.813	0.06	7.125	0.656	0.06	0.844	TS
		139.700	20.638	1.52	180.975	16.670	1.52	21.433	
EE430900	431575	9.000	3.438	0.41	15.750	2.500	0.13	3.500	TS
		228.600	87.312	10.50	400.050	63.500	3.30	88.900	
EE430900	431576CD	9.000	3.438	0.41	15.750	5.375	0.06	7.375	TDO
		228.600	87.312	10.50	400.050	136.525	1.52	187.325	
L432349	L432310	6.250	0.938	0.06	8.094	0.719	0.06	0.938	TS
		158.750	23.812	1.52	205.583	18.258	1.52	23.812	
H432649	H432610	6.000	3.063	0.06	10.625	2.520	0.13	3.032	TS
		152.387	77.788	1.52	269.875	64.000	3.30	77.000	
L435049	L435010	6.750	0.969	0.06	8.750	0.750	0.06	1.000	TS
		171.450	24.608	1.52	222.250	19.050	1.52	25.400	
HH437549	HH437510	6.500	3.750	0.13	13.250	2.750	0.25	3.625	TS
		165.100	95.250	3.30	336.550	69.850	6.35	92.075	

Numerical Listing

Part Number		Cone			Cup			Bearing	
Cone	Cup	Bore d	Width B	BF Radius R	OD D	Width C	BF Radius r	Width T / T1	Brg Type
LM446349	LM446310	9.250	1.813	0.14	12.250	1.313	0.13	1.813	TS
		234.950	46.038	3.50	311.150	33.338	3.30	46.038	
LM446349	LM446310D	9.250	1.813	0.14	12.250	2.875	0.03	3.875	TDO
		234.950	46.038	3.50	311.150	73.025	0.76	98.425	
EE450601	451212	6.000	3.688	0.38	12.125	2.438	0.27	3.500	TS
		152.400	93.662	9.65	307.975	61.912	6.80	88.900	
450900D	451212	6.000	6.750	0.38	12.125	2.438	0.27	6.375	TDI
		152.400	171.450	9.65	307.975	61.912	6.80	161.925	
LM501349	LM501310	1.625	0.780	0.14	2.891	0.580	0.03	0.770	TS
		41.275	19.812	3.50	73.431	14.732	0.76	19.558	
LM501349	LM501314	1.625	0.780	0.14	2.891	0.654	0.03	0.844	TS
		41.275	19.812	3.50	73.431	16.604	0.76	21.430	
LM503349	LM503310	1.811	0.709	0.09	2.952	0.551	0.06	0.709	TS
		45.987	18.000	2.29	74.975	14.000	1.52	18.000	
LM503349A	LM503310	1.811	0.709	SPCL	2.952	0.551	0.06	0.709	TS
		45.987	18.000		74.975	14.000	1.52	18.000	
HH506348	HH506310	1.938	1.750	0.14	4.500	1.420	0.13	1.750	TS
		49.212	44.450	3.50	114.300	36.068	3.30	44.450	
JLM506849	JLM506810	2.165	0.906	0.06	3.543	0.728	0.02	0.906	TS
		55.000	23.000	1.52	90.000	18.500	0.51	23.000	
JLM506849A	JLM506810	2.165	0.906	0.14	3.543	0.728	0.02	0.906	TS
		55.000	23.000	3.50	90.000	18.500	0.51	23.000	
JLM506849A	JLM506811	2.165	0.906	0.14	3.543	0.807	0.02	0.984	TS
		55.000	23.000	3.50	90.000	20.500	0.51	25.000	
L507945	L507910	2.125	0.719	0.06	3.438	0.563	0.06	0.719	TS
		53.975	18.258	1.52	87.312	14.288	1.52	18.258	
L507949	L507910	2.250	0.719	0.06	3.438	0.563	0.06	0.719	TS
		57.150	18.258	1.52	87.312	14.288	1.52	18.258	
L507949	L507910-B	2.250	0.719	0.06	3.438	0.563	0.06	0.281	TSF
		57.150	18.258	1.52	87.312	14.288	1.52	7.145	
JLM508748	JLM508710	2.362	0.945	0.20	3.740	0.748	0.10	0.945	TS
		60.000	24.000	5.00	95.000	19.000	2.54	24.000	
LL510749	LL510710	2.500	0.500	0.06	3.625	0.375	0.06	0.531	TS
		63.500	12.700	1.52	92.075	9.525	1.52	13.495	
JM511945	JM511910	2.559	1.181	0.12	4.331	0.886	0.10	1.102	TS
		65.000	30.000	3.05	110.000	22.500	2.54	28.000	
JM511946	JM511910	2.559	1.102	0.12	4.331	0.886	0.10	1.102	TS
		65.000	28.000	3.05	110.000	22.500	2.54	28.000	
513001	-	0.984	1.457	0.02	2.074	1.457	0.12	1.457	TDO
		25.000	37.000	0.60	52.000	37.000	0.30	37.000	
513007	-	1.250	0.591	SPCL	2.126	0.472	0.05	0.591	TS
		37.750	15.000		54.000	12.000	1.30	15.000	
513015	-	1.654	1.496	SPCL	2.835	1.378	SPCL	1.496	TDO
		41.999	38.001		71.999	35.001		38.001	

bearing
specification:
0010110111011100110101
0010110111011100110101

TIMKEN®

Numerical Listing

Part Number		Cone			Cup			Bearing	
Cone	Cup	Bore d	Width B	BF Radius R	OD D	Width C	BF Radius r	Width T / T1	Brg Type
513029	-	1.102 28.000	0.658 16.724	0.14 3.60	1.980 50.292	0.420 10.668		0.658 16.724	TS
513045	-	1.575 40.000	1.187 30.137		3.149 80.000			1.187 30.137	TS
513046	-	2.165 55.000	1.575 40.000	0.26 6.50	110.000 4.331	1.299 33.000	0.10 2.50	1.663 42.250	TS
513047	-	1.969 50.000	1.750 44.445	0.14 3.50	114.300 4.500	1.375 34.925	0.13 3.30	1.750 44.450	TS
513055	-	1.181 30.000	1.654 42.000	SPCL SPCL	2.283 58.000	1.654 42.000		1.654 42.000	TDO
513056	-	1.259 31.979	2.559 65.000		2.283 58.000	2.255 57.000		2.559 65.000	DRT
513057	-	1.654 42.000	1.496 38.000		2.835 72.000	1.496 38.000		1.496 38.000	DRT
513058	-	1.654 42.000	1.535 39.000		2.992 76.000	1.535 39.000		1.535 39.000	DRT
513185	-	1.378 35.000	0.669 17.000		2.441 62.000	0.535 13.600			TS
513244	-	1.496 38.000	1.693 43.000		2.992 76.000	1.693 43.000		1.693 43.000	TDO
513245	-	1.418 36.017	1.658 42.101	0.13 3.40	2.520 36.017	1.654 42.101	0.06 3.40	1.658 42.101	TDO
513246	-	1.575 39.992	1.496 38.006	0.17 4.39	3.149 79.992	1.494 37.940	0.06 1.50	1.496 38.006	TDO
513248	-	1.496 37.996	1.887 47.940	0.16 3.99	2.559 64.994	2.045 51.938	0.06 1.50	2.045 51.938	TDO
M514546	M514512	2.875 73.025	1.550 39.370	SPCL	4.875 123.825	1.031 26.187	0.08 2.00	1.531 38.887	TS
JM515649	JM515610	3.150 80.000	1.339 34.000	0.12 3.05	5.118 130.000	1.122 28.500	0.10 2.54	1.378 35.000	TS
516000	-	1.102 28.000	0.728 18.500		2.047 52.000	0.630 16.000		0.728 18.500	TS
516001	-	1.102 28.000	0.737 18.724		1.980 50.292	0.560 14.224		0.737 18.724	TS
516003	-	1.654 41.999	2.047 51.999		2.835 71.999	1.890 48.001		2.047 51.999	TS
516004	-	1.693 43.000	1.772 45.001	0.17 4.22	2.874 72.000	1.616 41.001	0.04 1.09	1.772 45.001	TS
516005	-	1.654 42.000	1.496 38.000	0.14 3.50	3.150 80.000	1.496 38.000	0.06 1.50	1.496 38.000	TS
HM516442	HM516410	3.000 76.200	1.563 39.688	0.14 3.50	5.250 133.350	1.281 32.545	0.13 3.30	1.563 39.688	TS
HM516442	HM516414-B	3.000 76.200	1.563 39.688	0.14 3.50	5.375 136.525	1.281 32.545	0.06 1.50	0.485 12.319	TSF

Numerical Listing

Part Number		Cone			Cup			Bearing	Brg
Cone	Cup	Bore d	Width B	BF Radius R	OD D	Width C	BF Radius r	Width T / T1	Type
HM516447	HM516414-B	3.188	1.563	0.14	5.375	1.281	0.06	0.485	TSF
		80.962	39.688	3.50	136.525	32.545	1.50	12.319	
HM516448	HM516410	3.250	1.563	0.27	5.250	1.281	0.13	1.563	TS
		82.550	39.688	6.80	133.350	32.545	3.30	39.688	
HM516448	HM516414-B	3.250	1.563	0.27	5.375	1.281	0.06	0.485	TSF
		82.550	39.688	6.80	136.525	32.545	1.50	12.319	
HM516449A	HM516410	3.250	1.563	SPCL	5.250	1.281	0.13	1.563	TS
		82.550	39.688		133.350	32.545	3.30	39.688	
HM516449A	HM516414-B	3.250	1.563	SPCL	5.375	1.281	0.06	0.485	TSF
		82.550	39.688		136.525	32.545	1.50	12.319	
HM516449C	HM516410	3.250	1.563	0.14	5.250	1.281	0.13	1.563	TS
		82.550	39.688	3.50	133.350	32.545	3.30	39.688	
HM516449C	HM516414-B	3.250	1.563	0.14	5.375	1.281	0.06	0.485	TSF
		82.550	39.688	3.50	136.525	32.545	1.50	12.319	
JHM516849	JHM516810	3.347	1.496	0.12	5.512	1.240	0.10	1.535	TS
		85.000	38.000	3.05	140.000	31.500	2.54	39.000	
517003	-	1.693	1.654	0.14	3.031	1.496	0.04	1.654	TDO
		43.000	42.000	3.50	77.000	38.000	1.00	42.000	
517004	-	1.614			0.532			0.689	TDO
		40.987			13.500			17.500	
517005	-	1.496			2.677			1.457	TDO
		38.000			68.000			37.000	
517006	-	1.496	1.457	0.02	2.520	1.457	0.12	1.457	TDO
		38.000	37.000	0.50	64.000	37.000	3.00	37.000	
517007	-	1.772		0.14	3.079	1.457	0.06	1.516	TS
		45.000		3.50	78.000	37.000	1.50	38.500	
517008	-	1.654	1.496		1.378			1.496	TS
		41.999	38.001		35.001			38.001	
517009	-	1.614	1.575	0.13	2.677	1.378	0.04	1.575	TDO
		41.000	40.000	3.20	68.000	35.000	1.00	40.000	
517012	-	1.969	0.787	0.17	3.032	0.591	0.07	0.807	TS
		50.000	20.000	4.44	77.000	15.000	1.77	22.030	
HM518445	HM518410	3.500	1.563	0.25	6.000	1.188	0.13	1.563	TS
		88.900	39.688	6.35	152.400	30.162	3.30	39.688	
L521945	L521910	4.000	0.844	0.06	5.750	0.656	0.06	0.844	TS
		101.600	21.433	1.52	146.050	16.670	1.52	21.433	
L521949	L521910	4.250	0.844	0.06	5.750	0.656	0.06	0.844	TS
		107.950	21.433	1.52	146.050	16.670	1.52	21.433	
L521949	L521914	4.250	0.844	0.06	6.000	0.656	0.06	0.844	TS
		107.950	21.433	1.52	152.400	16.670	1.52	21.433	
LM522546	LM522510	4.250	1.375	0.14	6.299	1.063	0.13	1.375	TS
		107.950	34.925	3.50	159.987	26.987	3.30	34.925	
LM522546	LM522510D	4.250	1.375	0.14	6.299	2.313	0.03	2.938	TDO
		107.950	34.925	3.50	159.987	58.738	0.76	74.612	

Numerical Listing

Part Number		Cone			Cup			Bearing	Brg
Cone	Cup	Bore d	Width B	BF Radius R	OD D	Width C	BF Radius r	Width T / T1	Type
LM522548	LM522510	4.330 109.987	1.375 34.925	0.31 8.00	6.299 159.987	1.063 26.987	0.13 3.30	1.375 34.925	TS
LM522548	LM522510D	4.330 109.987	1.375 34.925	0.31 8.00	6.299 159.987	2.313 58.738	0.03 0.76	2.938 74.612	TDO
LM522549	LM522510	4.330 109.987	1.375 34.925	0.14 3.50	6.299 159.987	1.063 26.987	0.13 3.30	1.375 34.925	TS
LM522549	LM522510D	4.330 109.987	1.375 34.925	0.14 3.50	6.299 159.987	2.313 58.738	0.03 0.76	2.938 74.612	TDO
JHM522649	JHM522610	4.331 110.000	1.811 46.000	0.12 3.05	7.087 180.000	1.496 38.000	0.10 2.54	1.850 47.000	TS
EE529090DW	529157	9.000 228.600	5.500 139.700	0.13 3.30	15.750 400.050	2.250 57.150	0.13 3.30	5.500 139.700	TDI
LL529749	LL529710	5.750 146.050	0.813 20.638	0.06 1.52	7.406 188.120	0.656 16.670	0.06 1.52	0.875 22.225	TS
M533349-S	M533310	6.500 165.100	1.732 44.000	0.14 3.50	9.133 231.976	1.417 35.999	0.14 3.50	1.772 45.001	TS
JHM534149	JHM534110	6.693 170.000	1.496 38.000	0.12 3.05	9.055 230.000	1.221 31.000	0.10 2.54	1.535 39.000	TS
HM535349	HM535310	6.750 171.450	2.625 66.675	0.14 3.50	10.250 260.350	2.063 52.388	0.13 3.30	2.625 66.675	TS
LL537649	LL537610	7.250 184.150	1.000 25.400	0.06 1.52	9.313 236.538	0.750 19.050	0.06 1.52	1.031 26.192	TS
L540048	L540010	7.874 200.000	1.094 27.783	0.06 1.52	10.000 254.000	0.844 21.433	0.06 1.52	1.125 28.575	TS
L540049	L540010	7.750 196.850	1.094 27.783	0.06 1.52	10.000 254.000	0.844 21.433	0.06 1.52	1.125 28.575	TS
L540049	L540010D	7.750 196.850	1.094 27.783	0.06 1.52	10.000 254.000	1.875 47.625	0.03 0.76	2.437 61.910	TDO
M541349	M541310CD	8.000 203.200	1.938 49.212	0.14 3.50	11.500 292.100	3.313 84.138	0.03 0.76	4.313 109.538	TDO
543085	543114	8.500 215.900	1.250 31.750	0.14 3.50	11.418 290.010	0.875 22.225	0.13 3.30	1.250 31.750	TS
543085	543115D	8.500 215.900	1.250 31.750	0.14 3.50	11.313 287.338	2.000 50.800	0.03 0.76	2.750 69.850	TDO
543086	543114	8.660 219.969	1.250 31.750	0.14 3.50	11.418 290.010	0.875 22.225	0.13 3.30	1.250 31.750	TS
544090	544118	9.000 228.600	1.250 31.750	0.14 3.50	11.813 300.038	0.938 23.812	0.13 3.30	1.313 33.338	TS
544091	544118	9.125 231.775	1.250 31.750	0.14 3.50	11.813 300.038	0.938 23.812	0.13 3.30	1.313 33.338	TS
LM545848	LM545810	9.246 234.848	2.125 53.975	0.14 3.50	12.375 314.325	1.438 36.512	0.13 3.30	1.938 49.212	TS
LM545849	LM545810	9.250 234.950	1.938 49.212	0.14 3.50	12.375 314.325	1.438 36.512	0.13 3.30	1.938 49.212	TS

Numerical Listing

Part Number		Cone			Cup			Bearing	
Cone	Cup	Bore d	Width B	BF Radius R	OD D	Width C	BF Radius r	Width T / T1	Brg Type
JLM603048F	JLM603013Z	1.772	0.945	0.14	3.071	0.591	0.09	0.847	TS
		45.000	24.000	3.50	78.000	15.000	2.30	21.504	
LM603049	LM603011	1.781	0.781	0.14	3.063	0.594	0.03	0.781	TS
		45.242	19.842	3.50	77.788	15.080	0.76	19.842	
LM603049	LM603012	1.781	0.781	0.14	3.063	0.656	0.03	0.844	TS
		45.242	19.842	3.50	77.788	16.667	0.76	21.430	
LM603049	LM603014	1.781	0.781	0.14	3.149	0.594	0.03	0.781	TS
		45.242	19.842	3.50	80.000	15.080	0.76	19.842	
L610549	L610510	2.500	0.750	0.06	3.719	0.594	0.06	0.750	TS
		63.500	19.050	1.52	94.458	15.083	1.52	19.050	
JM612949	JM612910	2.756	1.142	0.12	4.528	0.906	0.10	1.142	TS
		70.000	29.000	3.05	115.000	23.000	2.54	29.000	
LM613449	LM613410	2.750	0.866	0.06	4.438	0.625	0.03	0.875	TS
		69.850	21.996	1.52	112.712	15.875	0.76	22.225	
HM617049	HM617010	3.375	1.688	0.19	5.596	1.344	0.13	1.688	TS
		85.725	42.862	4.83	142.138	34.133	3.30	42.862	
L623149	L623110	4.500	0.844	0.06	6.000	0.656	0.06	0.844	TS
		114.300	21.432	1.52	152.400	16.670	1.52	21.433	
L624549	L624510	4.750	0.844	0.06	6.313	0.656	0.06	0.844	TS
		120.650	21.433	1.52	160.338	16.670	1.52	21.433	
L624549	L624510-B	4.750	0.844	0.06	6.313	0.656	0.06	0.344	TSF
		120.650	21.433	1.52	160.338	16.670	1.52	8.733	
HM624749	HM624710	4.750	1.813	0.14	7.500	1.375	0.06	1.813	TS
		120.650	46.038	3.50	190.500	34.925	1.52	46.038	
L630349	L630310	6.000	0.945	0.08	7.563	0.748	0.08	0.984	TS
		152.400	24.000	2.03	192.088	19.000	2.03	25.000	
L630349	L630310-B	6.000	0.945	0.08	7.563	0.748	0.08	0.393	TSF
		152.400	24.000	2.03	192.088	19.000	2.03	9.970	
LL639249	LL639210	7.750	0.906	0.06	9.500	0.688	0.06	0.938	TS
		196.850	23.017	1.52	241.300	17.462	1.52	23.812	
LL641148	LL641110	8.011	1.250	0.06	10.281	0.844	0.06	1.125	TS
		203.479	31.750	1.52	261.142	21.433	1.52	28.575	
LL641149	LL641110	8.000	1.094	0.06	10.281	0.844	0.06	1.125	TS
		203.200	27.783	1.52	261.142	21.433	1.52	28.575	
JLM704649	JLM704610	1.969	0.866	0.14	3.307	0.689	0.06	0.866	TS
		50.000	22.000	3.50	84.000	17.500	1.52	22.000	
JLM710949C	JLM710910	2.559	0.906	0.12	4.134	0.728	0.04	0.945	TS
		65.000	23.000	3.05	105.000	18.500	1.02	24.000	
L713049	L713010	2.750	0.750	0.06	4.000	0.594	0.06	0.750	TS
		69.850	19.050	1.52	101.600	15.083	1.52	19.050	
LL713149	LL713110	2.750	0.630	0.06	3.906	0.512	0.06	0.669	TS
		69.850	16.000	1.52	99.217	13.000	1.52	17.000	
JLM714149	JLM714110	2.953	0.984	0.12	4.528	0.748	0.10	0.984	TS
		75.000	25.000	3.05	115.000	19.000	2.54	25.000	

bearing
specification:
0010110111011100110101
0010110111011100110101

TIMKEN®

Numerical Listing

Part Number		Cone			Cup			Bearing	Brg
Cone	Cup	Bore d	Width B	BF Radius R	OD D	Width C	BF Radius r	Width T / T1	Type
JM714249	JM714210	2.953 75.000	1.161 29.500	0.12 3.05	4.724 120.000	0.984 25.000	0.10 2.54	1.221 31.000	TS
JM714249A	JM714210	2.953 75.000	1.161 29.500	0.24 6.00	4.724 120.000	0.984 25.000	0.10 2.54	1.221 31.000	TS
LL714649	LL714610	3.000 76.200	0.531 13.495	0.06 1.52	4.156 105.570	0.375 9.525	0.06 1.52	0.531 13.495	TS
H715332	H715311	2.375 60.325	1.813 46.038	0.14 3.50	5.375 136.525	1.438 36.512	0.13 3.30	1.813 46.038	TS
H715334	H715311	2.438 61.912	1.813 46.038	0.14 3.50	5.375 136.525	1.438 36.512	0.13 3.30	1.813 46.038	TS
H715336	H715311	2.500 63.500	1.813 46.038	0.14 3.50	5.375 136.525	1.438 36.512	0.13 3.30	1.813 46.038	TS
H715340	H715311	2.563 65.088	1.813 46.038	0.14 3.50	5.375 136.525	1.438 36.512	0.13 3.30	1.813 46.037	TS
H715340	H715313W	2.563 65.088	1.813 46.038	0.14 3.50	5.375 136.525	1.563 39.688	0.13 3.30	1.938 49.212	TS
H715341	H715311	2.625 66.675	1.813 46.038	0.14 3.50	5.375 136.525	1.438 36.512	0.13 3.30	1.813 46.038	TS
H715343	H715310	2.688 68.262	1.813 46.038	0.14 3.50	5.500 139.700	1.438 36.512	0.13 3.30	1.813 46.038	TS
H715343	H715310-B	2.688 68.262	1.813 46.038	0.14 3.50	5.500 139.700	1.438 36.512	0.13 3.30	0.688 17.462	TSF
H715343	H715311	2.688 68.262	1.813 46.038	0.14 3.50	5.375 136.525	1.438 36.512	0.13 3.30	1.813 46.038	TS
H715345	H715311	2.813 71.438	1.813 46.038	0.14 3.50	5.375 136.525	1.438 36.512	0.13 3.30	1.813 46.038	TS
H715347	H715311	2.755 69.987	1.813 46.038	0.14 3.50	5.375 136.525	1.438 36.512	0.13 3.30	1.813 46.038	TS
H715348	H715310-B	3.063 77.788	1.813 46.038	0.14 3.50	5.500 139.700	1.438 36.512	0.13 3.30	0.688 17.462	TSF
H715348	H715311	3.063 77.788	1.813 46.038	0.14 3.50	5.375 136.525	1.438 36.512	0.13 3.30	1.813 46.038	TS
JM716648	JM716610	3.347 85.000	1.142 29.000	0.24 6.00	5.118 130.000	0.945 24.000	0.10 2.54	1.181 30.000	TS
JM716649	JM716610	3.347 85.000	1.142 29.000	0.12 3.05	5.118 130.000	0.945 24.000	0.10 2.54	1.181 30.000	TS
JM716649	JM716610-B	3.347 85.000	1.142 29.000	0.12 3.05	5.118 130.000	0.945 24.000	0.10 2.54	0.455 11.560	TSF
JM718149	JM718110	3.543 90.000	1.339 34.000	0.12 3.05	5.709 145.000	1.063 27.000	0.10 2.54	1.378 35.000	TS
JM718149A	JM718110	3.543 90.000	1.339 34.000	0.24 6.00	5.709 145.000	1.063 27.000	0.10 2.54	1.378 35.000	TS
LM718947	LM718910	3.621 91.975	1.181 30.000	0.14 3.50	5.625 142.875	0.866 22.000	0.13 3.30	1.181 30.000	TS

Numerical Listing

Part Number		Cone			Cup			Bearing	
Cone	Cup	Bore d	Width B	BF Radius R	OD D	Width C	BF Radius r	Width T / T1	Brg Type
JM719149	JM719113	3.740	1.339	0.12	5.906	1.063	0.10	1.378	TS
		95.000	34.000	3.05	150.000	27.000	2.54	35.000	
JHM720249	JHM720210	3.937	1.575	0.12	6.299	1.260	0.10	1.614	TS
		100.000	40.000	3.05	160.000	32.000	2.54	41.000	
JM720249	JM720210	3.937	1.378	0.12	6.102	1.102	0.10	1.417	TS
		100.000	35.000	3.05	155.000	28.000	2.54	36.000	
JLM722948	JLM722912	4.528	1.063	0.13	6.496	0.827	0.12	1.102	TS
		115.000	27.000	3.30	165.000	21.000	3.05	28.000	
JLM722948	JLM722912-B	4.528	1.063	0.13	6.496	0.827	0.12	0.492	TSF
		115.000	27.000	3.30	165.000	21.000	3.05	12.500	
JL724348	JL724314	4.724	1.000	0.13	6.693	0.750	0.13	1.000	TS
		120.000	25.400	3.30	170.000	19.050	3.30	25.400	
JL724348	JL724314-B	4.724	1.000	0.13	6.693	0.750	0.13	0.447	TSF
		120.000	25.400	3.30	170.000	19.050	3.30	11.350	
JL725346	JL725316	4.921	1.000	0.13	6.890	0.720	0.13	1.000	TS
		125.000	25.400	3.30	175.000	18.288	3.30	25.400	
JL730646	JL730612	5.906	1.125	0.13	8.071	0.844	0.13	1.125	TS
		150.000	28.575	3.30	205.000	21.438	3.30	28.580	
JL730646	JL730612-B	5.906	1.125	0.13	8.071	0.844	0.13	0.472	TSF
		150.000	28.575	3.30	205.000	21.438	3.30	12.000	
L730649	L730610	6.000	1.125	0.13	8.000	0.844	0.13	1.125	TS
		152.400	28.575	3.30	203.200	21.438	3.30	28.575	
JM734445	JM734410	6.299	1.752	0.12	9.449	1.457	0.10	1.811	TS
		160.000	44.500	3.05	240.000	37.000	2.54	46.000	
JM734449	JM734410	6.693	1.752	0.12	9.449	1.457	0.10	1.811	TS
		170.000	44.500	3.05	240.000	37.000	2.54	46.000	
JM736149	JM736110	7.087	1.772	0.12	9.843	1.457	0.10	1.850	TS
		180.000	45.000	3.05	250.000	37.000	2.54	47.000	
JM738249	JM738210	7.480	1.732	0.12	10.236	1.437	0.10	1.811	TS
		190.000	44.000	3.05	260.000	36.500	2.54	46.000	
JM738249A	JM738210	7.480	1.732	0.31	10.236	1.437	0.10	1.811	TS
		190.000	44.000	8.00	260.000	36.500	2.54	46.000	
LM739749	LM739710	7.750	1.563	0.14	10.125	1.188	0.13	1.563	TS
		196.850	39.688	3.50	257.175	30.162	3.30	39.688	
LM739749	LM739710CD	7.750	1.563	0.14	10.125	2.625	0.03	3.375	TDO
		196.850	39.688	3.50	257.175	66.675	0.76	85.725	
LM739749	LM739719	7.750	1.563	0.14	10.500	1.188	0.13	1.563	TS
		196.850	39.688	3.50	266.700	30.162	3.30	39.688	
LM742745	LM742710	8.375	1.813	0.14	11.250	1.375	0.13	1.813	TS
		212.725	46.038	3.50	285.750	34.925	3.30	46.038	
LM742745	LM742710CD	8.375	1.813	0.14	11.250	3.000	0.03	3.875	TDO
		212.725	46.038	3.50	285.750	76.200	0.76	98.425	
LM742749	LM742710	8.500	1.813	0.14	11.250	1.375	0.13	1.813	TS
		215.900	46.038	3.50	285.750	34.925	3.30	46.038	

Numerical Listing

Part Number		Cone			Cup			Bearing	Brg
Cone	Cup	Bore d	Width B	BF Radius R	OD D	Width C	BF Radius r	Width T / T1	Type
LM742749	LM742710-B	8.500	1.813	0.14	11.250	1.375	0.13	0.750	TSF
		215.900	46.038	3.50	285.750	34.925	3.30	19.050	
LM742749	LM742710CD	8.500	1.813	0.14	11.250	3.000	0.03	3.875	TDO
		215.900	46.038	3.50	285.750	76.200	0.76	98.425	
LM742749DW	LM742710	8.500	3.375	0.09	11.250	1.375	0.13	3.375	TDI
		215.900	85.725	2.29	285.750	34.925	3.30	85.725	
HM746646	HM746610	9.000	2.750	0.25	14.000	2.000	0.25	2.750	TS
		228.600	69.850	6.35	355.600	50.800	6.35	69.850	
HM746646	HM746610CD	9.000	2.750	0.25	14.000	4.500	0.06	6.000	TDO
		228.600	69.850	6.35	355.600	114.300	1.52	152.400	
HM801346	HM801310	1.500	1.125	0.03	3.250	0.906	0.13	1.156	TS
		38.100	28.575	0.76	82.550	23.020	3.30	29.370	
HM801346X	HM801310	1.500	1.125	0.09	3.250	0.906	0.13	1.156	TS
		38.100	28.575	2.29	82.550	23.020	3.30	29.370	
HM801349	HM801310	1.594	1.125	0.14	3.250	0.906	0.13	1.156	TS
		40.483	28.575	3.50	82.550	23.020	3.30	29.370	
M802048	M802011	1.625	1.010	0.14	3.250	0.795	0.13	1.045	TS
		41.275	25.654	3.50	82.550	20.193	3.30	26.543	
HM803145	HM803110	1.625	1.156	0.03	3.500	0.906	0.13	1.188	TS
		41.275	29.370	0.76	88.900	23.020	3.30	30.162	
HM803146	HM803110	1.625	1.156	0.14	3.500	0.906	0.13	1.188	TS
		41.275	29.370	3.50	88.900	23.020	3.30	30.162	
HM803146	HM803111	1.625	1.156	0.14	3.500	0.906	0.03	1.188	TS
		41.275	29.370	3.50	88.900	23.020	0.76	30.162	
HM803149	HM803110	1.750	1.156	0.14	3.500	0.906	0.13	1.188	TS
		44.450	29.370	3.50	88.900	23.020	3.30	30.162	
M804048	M804010	1.875	1.000	0.03	3.500	0.750	0.13	1.000	TS
		47.625	25.400	0.76	88.900	19.050	3.30	25.400	
M804049	M804010	1.875	1.000	0.14	3.500	0.750	0.13	1.000	TS
		47.625	25.400	3.50	88.900	19.050	3.30	25.400	
HM804840	HM804810	1.625	1.156	0.14	3.750	0.906	0.13	1.188	TS
		41.275	29.370	3.50	95.250	23.020	3.30	30.162	
HM804842	HM804810	1.750	1.156	0.03	3.750	0.906	0.13	1.188	TS
		44.450	29.370	0.76	95.250	23.020	3.30	30.162	
HM804843	HM804810	1.750	1.156	0.14	3.750	0.906	0.13	1.188	TS
		44.450	29.370	3.50	95.250	23.020	3.30	30.162	
HM804846	HM804810	1.875	1.156	0.14	3.750	0.906	0.13	1.188	TS
		47.625	29.370	3.50	95.250	23.020	3.30	30.162	
HM804848	HM804810	1.906	1.156	0.09	3.750	0.906	0.13	1.188	TS
		48.412	29.370	2.29	95.250	23.020	3.30	30.162	
HM804848	HM804811	1.906	1.156	0.09	3.750	0.906	0.03	1.188	TS
		48.412	29.370	2.29	95.250	23.020	0.76	30.162	
HM804849	HM804810	1.906	1.156	0.14	3.750	0.906	0.13	1.188	TS
		48.412	29.370	3.50	95.250	23.020	3.30	30.162	

Numerical Listing

Part Number		Cone			OD	Cup		Bearing Width	Brg Type
		Bore	Width	BF Radius		Width	BF Radius		
Cone	Cup	d	B	R	D	C	r	T / T1	
LM806649	LM806610	2.125	0.750	0.09	3.500	0.531	0.08	0.750	TS
		53.975	19.050	2.29	88.900	13.492	2.03	19.050	
HM807035	HM807010	1.625	1.438	0.06	4.125	1.125	0.13	1.438	TS
		41.275	36.512	1.52	104.775	28.575	3.30	36.512	
HM807035	HM807011	1.625	1.438	0.06	4.125	1.125	0.03	1.438	TS
		41.275	36.512	1.52	104.775	28.575	0.76	36.512	
HM807040	HM807010	1.750	1.438	0.14	4.125	1.125	0.13	1.438	TS
		44.450	36.512	3.50	104.775	28.575	3.30	36.512	
HM807044	HM807010	1.938	1.438	0.14	4.125	1.125	0.13	1.438	TS
		49.212	36.512	3.50	104.775	28.575	3.30	36.512	
JHM807045	JHM807012	1.969	1.417	0.12	4.134	1.142	0.10	1.457	TS
		50.000	36.000	3.05	105.000	29.000	2.54	37.000	
HM807046	HM807010	2.000	1.438	0.14	4.125	1.125	0.13	1.438	TS
		50.800	36.512	3.50	104.775	28.575	3.30	36.512	
HM807048	HM807010	2.145	1.438	0.14	4.125	1.125	0.13	1.438	TS
		54.487	36.512	3.50	104.775	28.575	3.30	36.512	
HM807049	HM807010	2.125	1.438	0.14	4.125	1.125	0.13	1.438	TS
		53.975	36.512	3.50	104.775	28.575	3.30	36.512	
HM807049A	HM807010	2.125	1.438	0.06	4.125	1.125	0.13	1.438	TS
		53.975	36.512	1.52	104.775	28.575	3.30	36.512	
L812148	L812111	2.625	0.693	0.06	4.064	0.472	0.03	0.693	TS
		66.675	17.602	1.52	103.213	11.989	0.76	17.602	
JLM813049	JLM813010	2.756	0.984	0.04	4.331	0.807	0.10	1.024	TS
		70.000	25.000	1.02	110.000	20.500	2.54	26.000	
HM813839	HM813810	2.362	1.438	0.14	5.000	1.063	0.13	1.438	TS
		59.987	36.512	3.50	127.000	26.988	3.30	36.512	
HM813840	HM813810	2.188	1.438	0.14	5.000	1.063	0.13	1.438	TS
		55.562	36.512	3.50	127.000	26.988	3.30	36.512	
HM813841	HM813810	2.375	1.438	0.14	5.000	1.063	0.13	1.438	TS
		60.325	36.512	3.50	127.000	26.988	3.30	36.512	
HM813842	HM813810	2.500	1.438	0.14	5.000	1.063	0.13	1.438	TS
		63.500	36.512	3.50	127.000	26.988	3.30	36.512	
HM813843	HM813810	2.438	1.438	0.14	5.000	1.063	0.13	1.438	TS
		61.912	36.512	3.50	127.000	26.988	3.30	36.512	
HM813844	HM813810	2.625	1.438	0.14	5.000	1.063	0.13	1.438	TS
		66.675	36.512	3.50	127.000	26.988	3.30	36.512	
HM813844	HM813811	2.625	1.438	0.14	5.000	1.063	0.06	1.438	TS
		66.675	36.512	3.50	127.000	26.988	1.52	36.512	
HM813849	HM813810	2.813	1.438	0.14	5.000	1.063	0.13	1.438	TS
		71.438	36.512	3.50	127.000	26.988	3.30	36.512	
HH814547	HH814510	2.625	2.250	0.14	6.000	1.625	0.13	2.125	TS
		66.675	57.150	3.50	152.400	41.275	3.30	53.975	
L814749	L814710	3.000	0.750	0.06	4.313	0.594	0.06	0.750	TS
		76.200	19.050	1.52	109.538	15.083	1.52	19.050	

Numerical Listing

Part Number		Cone			Cup			Bearing	Brg
Cone	Cup	Bore d	Width B	BF Radius R	OD D	Width C	BF Radius r	Width T / T1	Type
LM814849	LM814810	3.063 77.788	1.000 25.400	0.14 3.50	4.625 117.475	0.750 19.050	0.13 3.30	1.000 25.400	TS
LM814849	LM814810-B	3.063 77.788	1.000 25.400	0.14 3.50	4.625 117.475	0.750 19.050	0.13 3.30	0.438 11.112	TSF
JL819349	JL819310	3.740 95.000	0.787 20.000	0.20 5.00	5.315 135.000	0.551 14.000	0.10 2.54	0.787 20.000	TS
JLM820048	JLM820012	3.937 100.000	1.181 30.000	0.09 2.29	5.906 150.000	1.024 26.000	0.09 2.29	1.260 32.000	TS
EE821096D	821165	9.500 241.300	6.875 174.625	0.13 3.30	16.500 419.100	2.813 71.438	0.25 6.35	7.000 177.800	TDI
JM822049	JM822010	4.331 110.000	1.378 35.000	0.12 3.05	6.496 165.000	1.043 26.500	0.10 2.54	1.378 35.000	TS
HH840249	HH840210	7.500 190.500	3.750 95.250	0.25 6.35	13.250 336.550	2.875 73.025	0.25 6.35	3.875 98.425	TS
JHM840449	JHM840410	7.874 200.000	2.441 62.000	0.14 3.50	11.811 300.000	2.008 51.000	0.10 2.54	2.559 65.000	TS
LM844049	LM844010	8.813 223.838	1.813 46.038	0.14 3.50	11.625 295.275	1.375 34.925	0.13 3.30	1.813 46.038	TS
L848849	L848810	9.999 253.975	1.634 41.500	0.06 1.52	12.793 324.950	1.102 27.998	0.13 3.30	1.535 39.000	TS
HM903244	HM903210	1.625 41.275	1.114 28.300	0.06 1.52	3.750 95.250	0.875 22.225	0.03 0.76	1.219 30.958	TS
HM903245	HM903210	1.625 41.275	1.125 28.575	0.14 3.50	3.750 95.250	0.875 22.225	0.03 0.76	1.219 30.958	TS
HM903247	HM903210	1.750 44.450	1.114 28.300	0.05 1.27	3.750 95.250	0.875 22.225	0.03 0.76	1.219 30.958	TS
HM903249	HM903210	1.750 44.450	1.125 28.575	0.14 3.50	3.750 95.250	0.875 22.225	0.03 0.76	1.219 30.958	TS
HM903249A	HM903210	1.750 44.450	1.114 28.300	0.14 3.50	3.750 95.250	0.875 22.225	0.03 0.76	1.219 30.958	TS
M903345	M903310	1.625 41.275	0.938 23.812	0.14 3.50	3.625 92.075	0.656 16.670	0.06 1.52	1.031 26.195	TS
HM905843	HM905810	1.771 44.987	1.250 31.750	0.10 2.54	4.133 104.986	0.920 23.368	0.10 2.54	1.280 32.512	TS
HM907643	HM907614	2.000 50.800	1.125 28.575	0.14 3.50	4.375 111.125	0.813 20.638	0.13 3.30	1.188 30.162	TS
HM911242	HM911210	2.125 53.975	1.313 33.338	0.14 3.50	5.125 130.175	0.938 23.812	0.13 3.30	1.438 36.512	TS
HM911244	JHM911211	2.362 59.987	1.218 30.924	0.14 3.50	5.118 130.000	0.892 22.649	0.13 3.30	1.343 34.100	TS
HM911245	HM911210	2.375 60.325	1.313 33.338	0.20 5.00	5.125 130.175	0.938 23.812	0.13 3.30	1.438 36.512	TS
HM911245	JHM911211	2.375 60.325	1.313 33.338	0.20 5.00	5.118 130.000	0.892 22.649	0.13 3.30	1.438 36.512	TS

Numerical Listing

Part Number		Cone			Cup			Bearing	
Cone	Cup	Bore d	Width B	BF Radius R	OD D	Width C	BF Radius r	Width T / T1	Brg Type
HM911245	HM911216	2.375 60.325	1.313 33.338	0.20 5.00	5.314 134.983	0.864 21.948	0.14 3.50	1.412 35.862	TS
H913840	H913810	2.362 59.987	1.563 39.688	0.14 3.50	5.750 146.050	1.000 25.400	0.13 3.30	1.625 41.275	TS
H913842	H913810	2.438 61.912	1.563 39.688	0.14 3.50	5.750 146.050	1.000 25.400	0.13 3.30	1.625 41.275	TS
JH913848	JH913811	2.756 70.000	1.563 39.688	0.08 2.03	5.906 150.000	1.000 25.400	0.13 3.30	1.625 41.280	TS
H913849	H913810	2.750 69.850	1.563 39.688	0.14 3.50	5.750 146.050	1.000 25.400	0.13 3.30	1.625 41.275	TS
HH914449	HH914412	2.625 66.675	2.125 53.975	0.14 3.50	7.000 177.800	1.469 37.308	0.13 3.30	2.250 57.150	TS
HM914545	HM914510	2.750 69.850	1.313 33.338	0.16 4.00	5.750 146.050	0.938 23.812	0.13 3.30	1.438 36.512	TS
H914841	H914811	2.688 68.262	1.813 46.038	0.14 3.50	6.000 152.400	1.382 35.100	0.13 3.30	1.875 47.625	TS
H916642	H916610	2.755 69.987	2.094 53.183	0.13 3.30	6.938 176.212	1.438 36.512	0.13 3.30	2.156 54.770	TS
H917840	H917810	3.000 76.200	2.094 53.183	0.14 3.50	7.125 180.975	1.406 35.720	0.13 3.30	2.125 53.975	TS
EE923095	923175	9.500 241.300	3.938 100.012	0.25 6.35	17.500 444.500	3.000 76.200	0.19 4.83	4.000 101.600	TS
HH923649	HH923610	4.000 101.600	2.875 73.025	0.25 6.35	9.875 250.825	2.000 50.800	0.25 6.35	3.000 76.200	TS
HH923649	HH923611	4.000 101.600	2.875 73.025	0.25 6.35	9.875 250.825	2.000 50.800	0.13 3.30	3.000 76.200	TS
H924033	H924010	4.000 101.600	2.063 52.388	0.14 3.50	8.438 214.312	1.563 39.688	0.13 3.30	2.188 55.562	TS
H924045	H924010	4.375 111.125	2.063 52.388	0.14 3.50	8.438 214.312	1.563 39.688	0.13 3.30	2.188 55.562	TS
H924045	H924010D	4.375 111.125	2.063 52.388	0.14 3.50	8.438 214.312	3.313 84.138	0.06 1.52	4.563 115.888	TDO
HH924349	HH924310D	4.375 111.125	2.813 71.438	0.25 6.35	9.500 241.300	4.250 107.950	0.06 1.52	6.250 158.750	TDO
HM926740	HM926710	4.500 114.300	1.946 49.428	0.14 3.50	9.000 228.600	1.500 38.100	0.13 3.30	2.125 53.975	TS
HM926740	HM926710D	4.500 114.300	1.946 49.428	0.14 3.50	9.000 228.600	3.313 84.138	0.09 2.29	4.563 115.888	TDO
HH926744	HH926710	4.500 114.300	3.250 82.550	0.25 6.35	10.750 273.050	2.125 53.975	0.25 6.35	3.250 82.550	TS
HH926744	HH926716	4.500 114.300	3.250 82.550	0.25 6.35	11.000 279.400	2.125 53.975	0.25 6.35	3.250 82.550	TS
HM926747	HM926710	5.000 127.000	1.946 49.428	0.14 3.50	9.000 228.600	1.500 38.100	0.13 3.30	2.125 53.975	TS

bearing
specification:
0010110111011100110101
0010110111011100110101

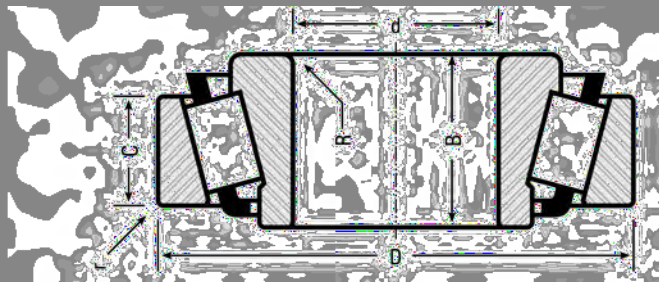


Numerical Listing

Part Number		Cone			Cup			Bearing	Brg
Cone	Cup	Bore d	Width B	BF Radius R	OD D	Width C	BF Radius r	Width T / T1	Type
HH926749	HH926710	4.750	3.250	0.25	10.750	2.125	0.25	3.250	TS
		120.650	82.550	6.35	273.050	53.975	6.35	82.550	
HM926749	HM926710	5.031	1.946	0.14	9.000	1.500	0.13	2.125	TS
		127.792	49.428	3.50	228.600	38.100	3.30	53.975	
HH932132	HH932110	5.000	3.250	0.25	12.000	2.250	0.25	3.500	TS
		127.000	82.550	6.35	304.800	57.150	6.35	88.900	
HH932145	HH932110	5.750	3.250	0.25	12.000	2.250	0.25	3.500	TS
		146.050	82.550	6.35	304.800	57.150	6.35	88.900	
HH932145	HH932115	5.750	3.250	0.25	12.250	2.250	0.25	3.500	TS
		146.050	82.550	6.35	311.150	57.150	6.35	88.900	
H936340	H936310	6.125	3.125	0.25	13.000	2.125	0.25	3.375	TS
		155.575	79.375	6.35	330.200	53.975	6.35	85.725	
H936340	H936316	6.125	3.125	0.25	13.500	2.125	0.25	3.375	TS
		155.575	79.375	6.35	342.900	53.975	6.35	85.725	
H936349	H936310	6.625	3.125	0.25	13.000	2.125	0.25	3.375	TS
		168.275	79.375	6.35	330.200	53.975	6.35	85.725	
HH949549	HH949510	9.000	4.375	0.25	19.250	2.875	0.25	4.875	TS
		228.600	111.125	6.35	488.950	73.025	6.35	123.825	
HH949549	HH949510D	9.000	4.375	0.25	19.250	6.000	0.06	10.000	TDO
		228.600	111.125	6.35	488.950	152.400	1.52	254.000	

Tapered Roller Bearings

NP Part Numbers

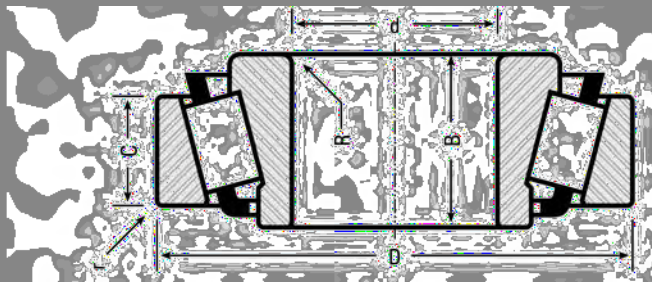


Numerical Listing

Part Numbers		Cone			Cup		
Cone	Cup	Bore d	Width B	BF Radius R	O.D. D	Width C	BF Radius r
NP005797		7.500	1.844	0.14			
		190.500	46.833	3.50			
NP006115		2.813	1.438	0.14			
		71.438	36.513	3.50			
NP006327		2.953	2.008	0.12			
		75.000	51.000	3.05			
NP007430		2.000	1.219	0.09			
		50.800	30.958	2.29			
NP013743					3.000	0.688	0.03
					76.200	17.463	0.76
NP016286					3.250	0.906	0.13
					82.550	23.020	3.30
NP016656					4.331	0.741	0.05
					110.000	18.824	1.27
NP022042					6.000	1.188	0.13
					152.400	30.163	3.30
NP022333		3.542	1.575	0.28			
		89.974	40.000	7.00			
NP026773					4.813	1.170	0.13
					122.238	29.718	3.30
NP030857					3.543	0.900	0.06
					90.000	22.858	1.52
NP034946		3.750	1.430	0.20			
		95.250	36.322	5.00			
NP037463					3.543	1.063	0.06
					90.000	27.000	1.52
NP043905		2.362	0.945	0.20			
		60.000	24.001	5.00			
NP050871		1.969	1.102	0.03			
		50.000	28.000	0.76			
NP052626					4.438	0.750	0.13
					112.713	19.050	3.30

Tapered Roller Bearings

NP Part Numbers - Continued

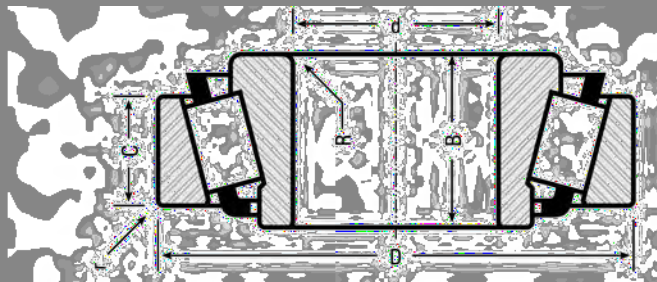


Numerical Listing

Part Numbers		Cone			Cup		
Cone	Cup	Bore d	Width B	BF Radius R	O.D. D	Width C	BF Radius r
	NP053874				5.512 139.992	1.125 28.575	0.13 3.30
NP057427		1.772 45.000	1.183 30.046	0.10 2.54			
NP064206		2.250 57.150	1.291 32.791	0.14 3.50			
	NP064306				3.813 96.838	0.625 15.875	0.03 0.76
NP064953		2.000 50.800	1.059 26.909	0.14 3.50			
NP069631		7.874 200.000	1.094 27.783	0.20 5.00			
NP076564		4.000 101.600	2.265 57.531	0.31 8.00			
	NP084661				8.375 212.725	2.125 53.975	0.13 3.30
NP101379		1.656 42.070	1.590 40.386	0.14 3.50			
	NP101912				4.438 112.730	0.750 19.050	0.13 3.30
NP102036		2.688 68.263	0.866 21.996	0.20 5.00			
	NP105857				5.000 127.000	1.125 28.575	0.13 3.30
	NP107783				6.000 152.400	1.188 30.163	0.13 3.30
NP108340		2.188 55.563	1.438 36.513	0.14 3.50			
NP108543		2.625 66.675	1.510 38.354	0.14 3.50			
NP111385		1.186 30.112	0.813 20.638	0.03 0.76			

Tapered Roller Bearings

NP Part Numbers - Continued



Numerical Listing

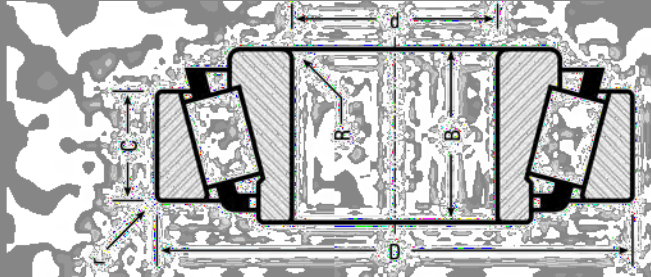
Part Numbers		Cone			Cup		
Cone	Cup	Bore d	Width B	BF Radius R	O.D. D	Width C	BF Radius r
	NP111741				2.328	0.465	0.05
					59.131	11.811	1.27
	NP113015				10.563	2.250	0.25
					268.288	57.150	6.35
NP113645		1.375	0.720	SPCL			
		34.925	18.288				
NP114036		2.250	0.864	0.20			
		57.150	21.946	5.00			
	NP116172				6.625	1.625	0.13
					168.275	41.275	3.30
NP117885		1.625	0.709	0.18			
		41.275	18.000	4.50			
	NP120899				10.250	1.625	0.13
					260.350	41.275	3.30
	NP122729				3.543	0.906	0.10
					90.000	23.000	2.54
	NP122954				8.375	2.125	0.13
					212.725	53.975	3.30
NP125626		1.969	0.847	0.12			
		50.000	21.500	3.05			
	NP129939				7.125	1.000	0.13
					180.975	25.400	3.30
NP130281		3.500	2.219	0.14			
		88.900	56.363	3.50			
NP130380		4.000	2.265	0.31			
		101.600	57.531	8.00			
NP134527		4.500	2.625	0.28			
		114.300	66.675	7.00			
NP138708		2.500	1.183	0.08			
		63.500	30.048	2.03			
NP142006		1.250	0.813	0.03			
		31.750	20.638	0.76			

bearing
specification:
00101101111011100110101
00101101111011100110101

TIMKEN®

Tapered Roller Bearings

NP Part Numbers - Continued

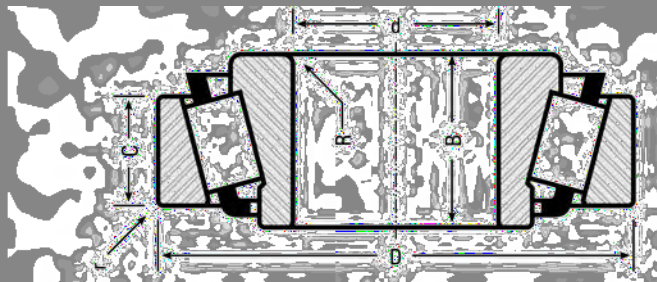


Numerical Listing

Part Numbers		Cone			Cup		
Cone	Cup	Bore d	Width B	BF Radius R	O.D. D	Width C	BF Radius r
NP145100		2.000	0.875	0.14			
		50.800	22.225	3.50			
	NP153717				1.688	0.375	0.06
					42.863	9.525	1.52
	NP156827				6.000	1.188	0.13
					152.400	30.163	3.30
NP159006		0.938	0.845	0.06			
		23.813	21.463	1.52			
	NP159648				5.000	1.063	0.13
					127.000	26.988	3.30
	NP160764				6.299	1.221	0.12
					160.000	31.000	3.05
NP168674		18.875	5.063	0.25			
		479.425	128.588	6.35			
	NP172939				2.891	0.580	0.03
					73.431	14.732	0.76
NP174018		3.813	1.141	0.14			
		96.838	28.971	3.50			
NP174964		3.500	1.563	0.25			
		88.900	39.688	6.35			
	NP177400				2.677	0.571	0.06
					68.000	14.500	1.52
NP177778		2.625	1.510	0.14			
		66.675	38.354	3.50			
	NP178207				2.891	0.580	0.03
					73.431	14.732	0.76
NP179928		3.000	1.813	0.14			
		76.200	46.038	3.50			
NP182140		1.378	0.811	0.09			
		34.989	20.600	2.29			
	NP183151				5.709	1.063	0.10
					145.000	27.000	2.54

Tapered Roller Bearings

NP Part Numbers - Continued



Numerical Listing

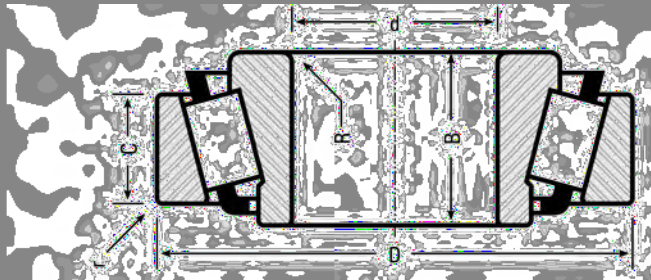
Part Numbers		Cone			Cup		
Cone	Cup	Bore d	Width B	BF Radius R	O.D. D	Width C	BF Radius r
	NP188393				5.000	1.063	0.13
					127.000	26.988	3.30
	NP193660				4.875	1.188	0.13
					123.825	30.163	3.30
NP197868		2.250	0.864	0.14			
		57.150	21.946	3.50			
NP198625		1.750	0.675	0.06			
		44.450	17.145	1.52			
NP201062		2.559	1.000	0.06			
		65.000	25.400	1.52			
NP201810		2.500	2.205	0.17			
		63.500	56.007	4.32			
NP202138		6.000	2.625	0.28			
		152.400	66.675	7.00			
NP202653		1.313	1.125	0.03			
		33.338	28.575	0.76			
NP202864		1.496	1.125	0.14			
		38.000	28.575	3.50			
NP208481		6.000	1.844	0.14			
		152.400	46.830	3.50			
NP212764		3.347	1.142	0.12			
		85.000	29.000	3.05			
	NP218183				5.875	1.750	0.13
					149.225	44.450	3.30
	NP230788				13.625	2.000	0.25
					346.075	50.800	6.35
NP233968		5.250	1.813	0.14			
		133.350	46.038	3.50			
	NP234397				7.500	1.375	0.06
					190.500	34.925	1.52
	NP235483				4.500	1.375	0.13
					114.300	34.925	3.30

bearing
specification:
0010110111011100110101
0010110111011100110101

TIMKEN®

Tapered Roller Bearings

NP Part Numbers - Continued

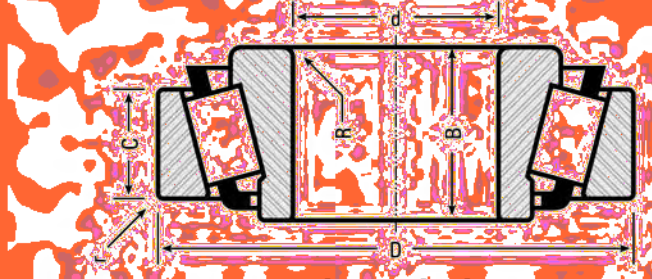


Numerical Listing

Part Numbers		Cone			Cup		
Cone	Cup	Bore d	Width B	BF Radius R	O.D. D	Width C	BF Radius r
	NP235899				2.835 72.000	0.767 19.487	0.06 1.52
	NP237427				2.441 62.000	0.526 13.350	0.05 1.27
NP238787		13.125 333.375	3.563 90.488	0.25 6.35			
	NP241715				7.874 200.000	1.375 34.925	0.13 3.30
NP242732		2.188 55.563	1.291 32.791	0.14 3.50			
NP244401		1.250 31.750	0.660 16.764	SPCL			
NP245592		3.563 90.488	1.900 48.260	0.14 3.50			
	NP250023				5.786 146.975	1.280 32.500	0.14 3.50
NP251532		3.150 80.000	1.102 28.000	0.02 0.51			
	NP259680				2.563 65.088	0.625 15.875	0.06 1.52
	NP261254				14.125 358.775	2.125 53.975	0.13 3.30
	NP264596				7.500 190.500	1.813 46.038	0.06 1.52
	NP266492				4.331 110.000	0.741 18.824	0.05 1.27
NP270973		1.221 31.000	0.720 18.288	0.03 0.76			
	NP283816				2.328 59.131	0.465 11.811	0.05 1.27
	NP290596				6.625 168.275	1.625 41.275	0.13 3.30

Tapered Roller Bearings

NP Part Numbers - Continued



Numerical Listing

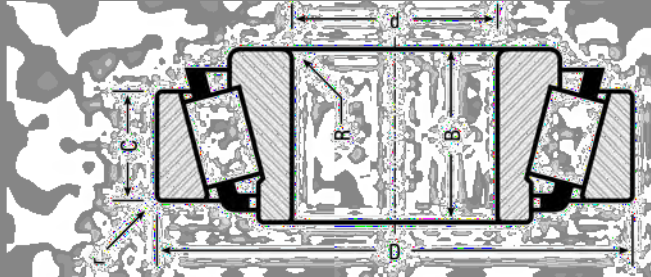
Part Numbers		Cone			Cup		
Cone	Cup	Bore d	Width B	BF Radius R	O.D. D	Width C	BF Radius r
	NP292535				26.750 679.450	4.000 101.600	0.25 6.35
NP296458		8.000 203.200	2.281 57.945	0.38 9.65			
NP297576		1.625 41.275	0.780 19.812	0.14 3.50			
NP301337		2.750 69.850	1.000 25.400	0.06 1.52			
NP306575		9.344 237.330	2.563 65.088	0.25 6.35			
NP307693		3.543 90.000	1.339 34.000	0.12 3.05			
NP309336		3.150 80.000	1.339 34.000	0.12 3.05			
	NP312529				3.228 82.000	0.669 17.000	0.08 2.03
NP313363		3.000 76.200	2.219 56.363	0.25 6.35			
NP313972		2.756 70.000	1.654 42.000	0.12 3.05			
	NP315658				7.500 190.500	1.813 46.038	0.13 3.30
	NP316098				3.228 82.000	0.669 17.000	0.08 2.03
	NP317251				5.844 148.430	0.844 21.433	0.12 3.05
NP317848		2.125 53.975	1.059 26.909	0.03 0.76			
NP320876		1.575 40.000	0.732 18.583	0.04 1.02			
	NP329140				4.813 122.238	1.170 29.718	0.13 3.30

bearing
specification:
001011011101100110101
001011011101100110101

TIMKEN®

Tapered Roller Bearings

NP Part Numbers - Continued

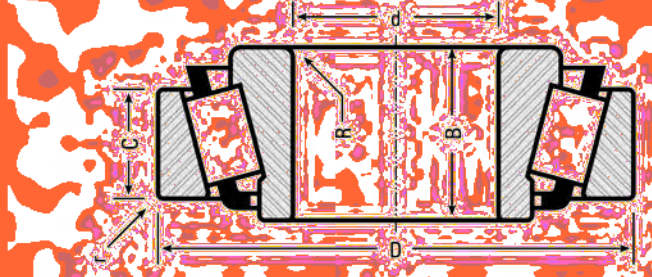


Numerical Listing

Part Numbers		Cone			Cup		
Cone	Cup	Bore d	Width B	BF Radius R	O.D. D	Width C	BF Radius r
NP331550		2.000	1.750	0.14			
		50.800	44.450	3.50			
	NP331809				2.480	0.532	0.05
					63.000	13.500	1.27
NP334943		2.000	0.875	0.14			
		50.800	22.225	3.50			
NP343847		2.284	0.866	0.16			
		58.000	22.000	4.00			
	NP352518				2.717	0.727	0.02
					69.012	18.463	0.50
	NP353162				11.024	1.890	0.14
					280.000	48.000	3.56
	NP355383				7.874	1.375	0.13
					200.000	34.925	3.30
	NP357215				3.265	0.750	0.03
					82.931	19.050	0.76
NP358464		1.378	0.709	0.06			
		35.000	18.000	1.52			
NP362252		1.938	1.438	0.14			
		49.213	36.513	3.50			
	NP363298				6.000	1.188	0.13
					152.400	30.163	3.30
	NP363867				4.813	1.170	0.13
					122.238	29.718	3.30
	NP366890				7.750	1.500	0.13
					196.850	38.100	3.30
	NP372019				3.780	0.728	0.06
					96.000	18.500	1.52
	NP372938				2.563	0.550	0.05
					65.088	13.970	1.27
NP376271		1.625	0.780	0.14			
		41.275	19.812	3.50			

Tapered Roller Bearings

NP Part Numbers - Continued

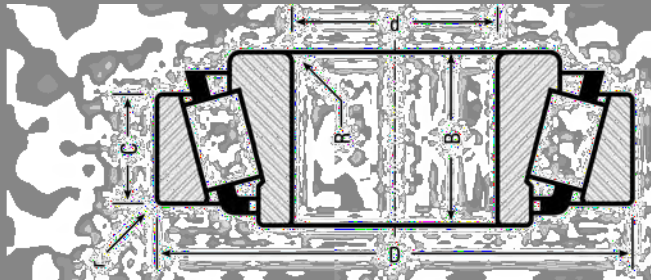


Numerical Listing

Part Numbers		Cone			Cup		
Cone	Cup	Bore d	Width B	BF Radius R	O.D. D	Width C	BF Radius r
	NP378089				4.921	1.024	0.12
					125.000	26.000	3.05
	NP378092				4.813	1.170	0.13
					122.238	29.718	3.30
NP379418		5.750	3.250	0.25			
		146.050	82.550	6.35			
NP379811		2.559	0.906	0.12			
		65.000	23.000	3.05			
NP380290		3.375	1.172	0.14			
		85.725	29.769	3.50			
NP390451		2.875	2.135	0.14			
		73.025	54.229	3.50			
NP392358		12.500	3.375	0.14			
		317.500	85.725	3.50			
	NP393593				7.750	1.500	0.13
					196.850	38.100	3.30
	NP401046				5.375	1.500	0.06
					136.525	38.100	1.52
	NP402276				3.000	0.906	0.13
					76.200	23.020	3.30
	NP409741				5.709	1.654	0.10
					145.000	42.000	2.54
NP414535		2.756	1.614	0.08			
		70.000	41.000	2.03			
NP417549		3.500	1.563	0.25			
		88.900	39.688	6.35			
	NP417842				2.891	0.580	0.03
					73.431	14.732	0.76
NP418109		2.000	0.875	0.03			
		50.800	22.225	0.76			
	NP421556				18.500	2.813	0.13
					469.900	71.438	3.30

Tapered Roller Bearings

NP Part Numbers - Continued

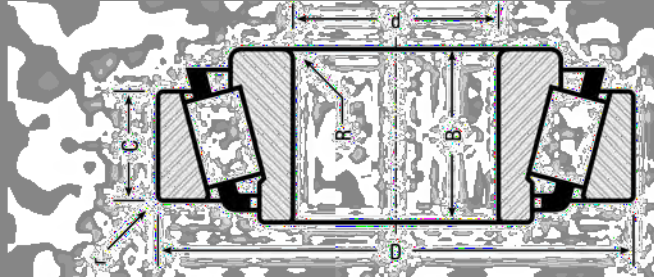


Numerical Listing

Part Numbers		Cone			Cup		
Cone	Cup	Bore d	Width B	BF Radius R	O.D. D	Width C	BF Radius r
	NP423026				9.250 234.950	1.938 49.213	0.13 3.30
	NP423135				4.125 104.775	0.938 23.813	0.13 3.30
NP427955		2.000 50.800	1.751 44.475	0.03 0.76			
	NP430381				3.265 82.931	0.688 17.463	0.03 0.76
NP430408		5.512 140.000	1.299 33.000	0.14 3.50			
NP431952		2.625 66.675	1.510 38.354	0.14 3.50			
	NP434567				3.740 95.000	0.827 21.000	0.06 1.52
NP435084		2.750 69.850	2.219 56.363	0.14 3.50			
	NP435398				3.672 93.264	0.938 23.813	0.13 3.30
NP439027		4.000 101.600	2.875 73.025	0.25 6.35			
	NP442870				5.512 139.992	1.125 28.575	0.13 3.30
	NP443198				11.811 300.000	2.008 51.000	0.10 2.54
NP444242		1.969 50.000	1.102 28.000	0.12 3.05			
NP449281		1.796 45.618	1.000 25.400	0.14 3.50			
	NP452246				2.047 52.000	0.512 13.000	0.04 1.02
NP457992		1.625 41.275	1.010 25.654	0.14 3.50			

Tapered Roller Bearings

NP Part Numbers - Continued



Numerical Listing

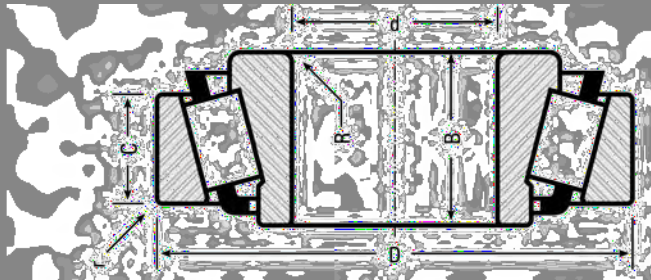
Part Numbers		Cone			Cup		
Cone	Cup	Bore d	Width B	BF Radius R	O.D. D	Width C	BF Radius r
NP463799		1.378	0.906	0.06			
		35.000	23.000	1.52			
NP464541		2.000	1.750	0.14			
		50.800	44.450	3.50			
NP465893		1.781	0.780	0.14			
		45.243	19.812	3.50			
NP466089					3.000	0.750	0.03
					76.200	19.050	0.76
NP466668					3.672	0.938	0.13
					93.264	23.813	3.30
NP472053					4.125	1.125	0.13
					104.775	28.575	3.30
NP473272					15.125	3.563	0.25
					384.175	90.488	6.35
NP478159					4.528	0.906	0.10
					115.000	23.000	2.54
NP483022		1.938	1.751	0.14			
		49.213	44.475	3.50			
NP484279		1.772	0.781	0.07			
		45.000	19.843	1.78			
NP489912		8.125	3.938	0.13			
		206.375	100.013	3.30			
NP492308		3.542	1.575	0.28			
		89.974	40.000	7.00			
NP496730		13.625	3.750	0.25			
		346.075	95.250	6.35			
NP498093		4.250	2.625	0.31			
		107.950	66.675	8.00			
NP498148					12.000	2.250	0.25
					304.800	57.150	6.35
NP503727					5.786	1.280	0.14
					146.975	32.500	3.56

bearing
specification:
0010110111011100110101
0010110111011100110101

TIMKEN®

Tapered Roller Bearings

NP Part Numbers - Continued

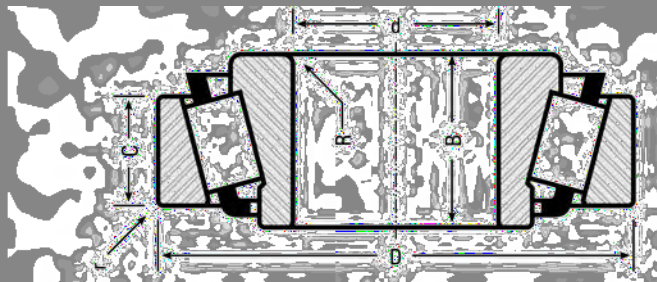


Numerical Listing

Part Numbers		Cone			Cup		
Cone	Cup	Bore d	Width B	BF Radius R	O.D. D	Width C	BF Radius r
NP504493		1.938 49.213	1.219 30.955	0.14 3.50			
NP508367		1.575 40.000	0.866 22.000	0.04 1.02			
NP512245		9.250 234.950	1.938 49.213	0.25 6.35			
	NP514720				11.500 292.100	1.813 46.038	0.13 3.30
	NP516275				2.953 75.000	0.610 15.500	0.04 1.02
NP516315		1.969 50.000	1.102 28.000	0.12 3.05			
NP516549		2.000 50.800	1.059 26.909	0.14 3.50			
NP516946		1.575 40.000	1.299 33.000	0.08 2.03			
NP517174		7.875 200.025	4.438 112.713	0.25 6.35			
NP518503		1.594 40.483	1.125 28.575	0.14 3.50			
	NP520308				4.813 122.238	1.438 36.513	0.13 3.30
NP522505		1.378 35.000	1.135 28.829	0.14 3.50			
NP523912		2.125 53.975	1.291 32.791	0.14 3.50			
NP524102		1.875 47.625	1.000 25.400	0.14 3.50			
	NP525140				4.252 108.000	0.787 20.000	0.13 3.30
	NP525386				3.250 82.550	0.650 16.510	0.05 1.27

Tapered Roller Bearings

NP Part Numbers - Continued



Numerical Listing

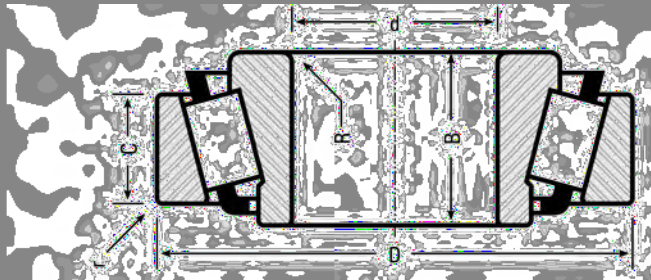
Part Numbers		Cone			Cup		
Cone	Cup	Bore d	Width B	BF Radius R	O.D. D	Width C	BF Radius r
NP528108		2.165	0.906	0.06			
		55.000	23.000	1.52			
NP531592		6.693	2.125	0.19			
		170.000	53.975	4.83			
	NP533133				5.375	0.875	0.13
					136.525	22.225	3.30
	NP535579				8.125	1.500	0.13
					206.375	38.100	3.30
NP535811		1.625	0.780	0.14			
		41.275	19.812	3.50			
NP547288		2.756	1.142	0.12			
		70.000	29.000	3.05			
	NP547779				3.740	0.748	0.10
					95.000	19.000	2.54
NP548969		1.796	1.000	0.14			
		45.618	25.400	3.50			
	NP549434				4.813	1.170	0.13
					122.238	29.718	3.30
	NP550375				2.441	0.563	0.05
					62.000	14.288	1.27
	NP552557				2.559	0.613	0.04
					65.000	15.580	1.02
	NP554241				2.563	0.550	0.05
					65.088	13.970	1.27
NP555065		1.750	1.193	0.14			
		44.450	30.302	3.50			
NP559445		1.772	0.827	0.14			
		45.000	21.000	3.50			
	NP560412				6.750	1.250	0.13
					171.450	31.750	3.30
NP561905		9.750	2.500	0.25			
		247.650	63.500	6.35			

bearing
specification:
0010110111101100110101
0010110111101100110101

TIMKEN®

Tapered Roller Bearings

NP Part Numbers - Continued

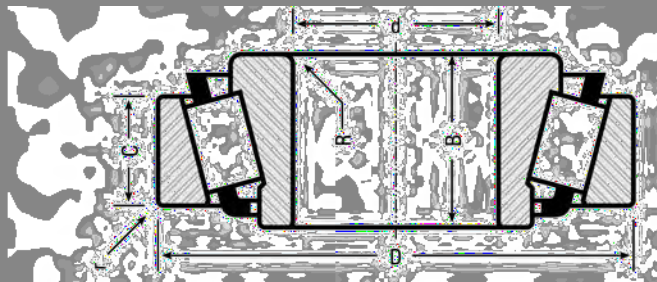


Numerical Listing

Part Numbers		Cone			Cup		
Cone	Cup	Bore d	Width B	BF Radius R	O.D. D	Width C	BF Radius r
NP565130		0.984 25.000	0.945 24.001	0.06 1.52			
NP566582		1.781 45.243	0.780 19.812	0.14 3.50			
NP568415		2.559 65.000	0.906 23.000	0.06 1.52			
NP568900		3.750 95.250	1.430 36.322	0.20 5.00			
	NP569493				11.375 288.925	2.250 57.150	0.25 6.35
NP570882		2.250 57.150	0.719 18.258	0.14 3.50			
NP573074		3.149 79.985	1.421 36.099	0.14 3.50			
NP576375		1.969 50.000	1.142 29.000	0.16 4.00			
NP577914		3.250 82.550	1.421 36.099	0.14 3.50			
NP579116		3.750 95.250	1.430 36.322	0.20 5.00			
NP581767		4.125 104.775	1.890 48.006	0.14 3.50			
	NP592766				2.953 75.000	0.610 15.500	0.06 1.52
	NP593561				6.000 152.400	1.188 30.163	0.13 3.30
	NP594918				2.344 59.530	0.720 18.288	0.06 1.52
	NP597926				3.937 100.000	1.438 36.513	0.03 0.76
NP599945		5.250 133.350	2.500 63.500	0.38 9.65			

Tapered Roller Bearings

NP Part Numbers - Continued



Numerical Listing

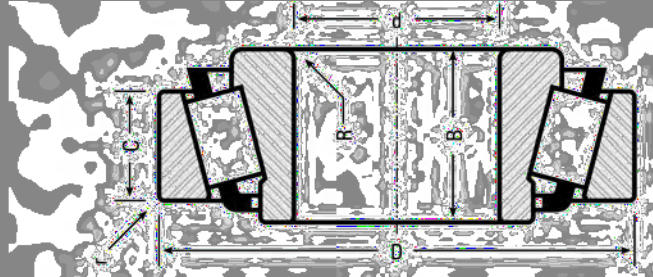
Part Numbers		Cone			Cup		
Cone	Cup	Bore d	Width B	BF Radius R	O.D. D	Width C	BF Radius r
	NP603591				2.875 73.025	0.906 23.020	0.13 3.30
NP606435		4.625 117.475	1.250 31.750	0.31 8.00			
	NP609650				10.280 261.112	2.063 52.388	0.13 3.30
	NP611140				4.875 123.825	1.000 25.400	0.13 3.30
	NP621196				3.543 90.000	0.689 17.500	0.06 1.52
	NP621715				17.625 447.675	2.688 68.263	0.13 3.30
NP624111		7.087 180.000	2.520 64.000	0.14 3.50			
NP626468		1.969 50.000	0.787 20.000	0.14 3.50			
	NP628202				9.843 250.000	1.457 37.000	0.10 2.54
NP635208		3.150 80.000	1.614 41.000	0.12 3.05			
NP636046		1.000 25.400	0.910 23.114	0.03 0.76			
NP641406		1.250 31.750	0.660 16.764	0.00			
	NP647902				13.250 336.550	3.063 77.788	0.13 3.30
NP652865		1.375 34.925	0.720 18.288	SPCL			
NP654538		1.575 40.000	0.748 19.000	0.04 1.02			
	NP655898				4.921 125.000	1.260 32.000	0.06 1.52

bearing
specification:
0010110111101100110101
0010110111101100110101

TIMKEN®

Tapered Roller Bearings

NP Part Numbers - Continued

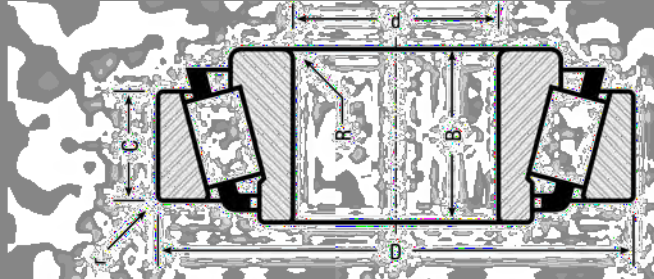


Numerical Listing

Part Numbers		Cone			Cup		
Cone	Cup	Bore d	Width B	BF Radius R	O.D. D	Width C	BF Radius r
NP656227		1.563	1.299	0.14			
		39.688	33.000	3.61			
	NP659842				12.375	1.938	0.13
					314.325	49.213	3.30
NP660566		5.250	1.813	0.14			
		133.350	46.038	3.50			
	NP665055				7.500	1.813	0.13
					190.500	46.038	3.30
	NP666842				2.677	0.606	0.06
					68.000	15.400	1.52
	NP669820				7.500	1.813	0.13
					190.500	46.038	3.30
NP672869		4.000	2.625	0.28			
		101.600	66.675	7.00			
	NP673386				4.375	0.813	0.13
					111.125	20.638	3.30
	NP673724				8.750	1.375	0.06
					222.250	34.925	1.52
NP673791		0.625	0.563	0.06			
		15.875	14.288	1.52			
	NP674072				5.118	1.024	0.10
					130.000	26.000	2.54
NP674634		2.750	1.000	0.06			
		69.850	25.400	1.52			
	NP679557				9.875	2.000	0.25
					250.825	50.800	6.35
	NP681655				3.543	0.906	0.10
					90.000	23.000	2.54
NP681933		2.563	1.813	0.14			
		65.088	46.038	3.50			
	NP683829				9.250	1.938	0.13
					234.950	49.213	3.30

Tapered Roller Bearings

NP Part Numbers - Continued

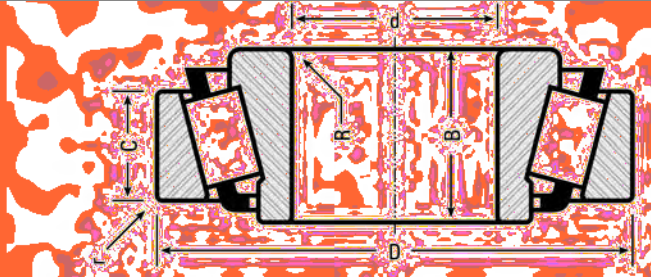


Numerical Listing

Part Numbers		Cone			Cup		
Cone	Cup	Bore d	Width B	BF Radius R	O.D. D	Width C	BF Radius r
NP686631		4.750	3.250	0.38			
		120.650	82.550	9.65			
	NP688898				18.898	2.992	0.20
					480.000	76.000	5.00
NP691715		11.811	3.937	0.20			
		300.000	100.000	5.00			
	NP692588				4.875	1.000	0.13
					123.825	25.400	3.30
NP692885		1.250	0.749	0.06			
		31.750	19.022	1.52			
	NP693773				13.250	2.750	0.25
					336.550	69.850	6.35
NP694563		1.625	1.438	0.06			
		41.275	36.513	1.52			
	NP696474				5.345	1.750	0.13
					135.755	44.450	3.30
NP697136		1.772	0.787	SPCL			
		45.000	20.000				
NP697931		3.500	1.938	0.14			
		88.900	49.213	3.50			
	NP698197				3.750	0.875	0.03
					95.250	22.225	0.76
	NP700413				18.110	2.992	0.20
					460.000	76.000	5.00
NP701655		2.375	1.750	0.14			
		60.325	44.450	3.50			
NP703773		1.625	1.438	0.06			
		41.275	36.513	1.52			
NP706218		2.250	0.864	0.20			
		57.150	21.946	5.00			
NP712475		3.348	1.838	0.14			
		85.027	46.673	3.50			

Tapered Roller Bearings

NP Part Numbers - Continued

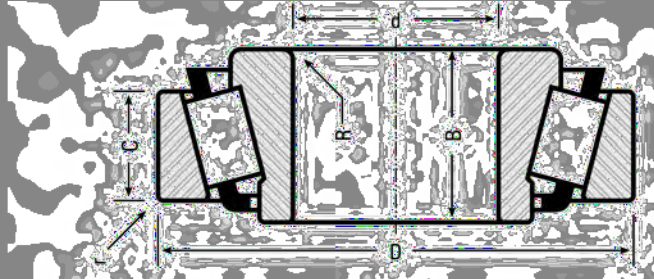


Numerical Listing

Part Numbers		Cone			Cup		
Cone	Cup	Bore d	Width B	BF Radius R	O.D. D	Width C	BF Radius r
	NP715448				10.000 254.000	1.313 33.338	0.13 3.30
NP716862		1.625 41.275	0.780 19.812	0.18 4.50			
	NP717379				4.134 105.000	0.728 18.500	0.04 1.02
	NP717996				5.118 130.000	0.945 24.001	0.10 2.54
	NP718759				6.000 152.400	1.188 30.163	0.13 3.30
	NP719416				21.500 546.100	3.250 82.550	0.25 6.35
	NP720703				3.672 93.264	0.938 23.813	0.13 3.30
NP722065		1.625 41.275	0.906 23.020	0.14 3.50			
NP724285		1.772 45.000	0.492 12.500	0.04 1.02			
	NP728109				3.250 82.550	0.736 18.692	0.05 1.27
NP731186		10.000 254.000	2.813 71.438	0.14 3.50			
	NP735186				6.250 158.750	0.625 15.875	0.13 3.30
	NP735478				2.328 59.131	0.465 11.811	0.05 1.27
	NP738729				2.717 69.012	0.594 15.083	0.09 2.29
NP739395		4.000 101.600	2.625 66.675	0.28 7.00			
	NP739603				17.625 447.675	2.688 68.263	0.13 3.30

Tapered Roller Bearings

NP Part Numbers - Continued

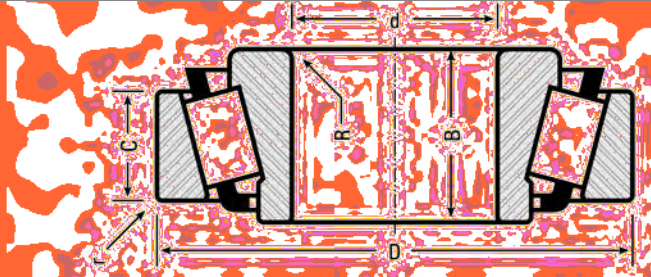


Numerical Listing

Part Numbers		Cone			Cup		
Cone	Cup	Bore d	Width B	BF Radius R	O.D. D	Width C	BF Radius r
NP747110		2.375	1.723	0.14			
		60.325	43.764	3.50			
	NP750751				3.150	0.892	0.06
					80.000	22.664	1.52
NP757601		9.250	4.438	0.25			
		234.950	112.713	6.35			
	NP758445				10.000	1.875	0.13
					254.000	47.625	3.30
	NP761714				2.891	0.580	0.03
					73.431	14.732	0.76
	NP763720				2.441	0.787	0.06
					62.000	20.000	1.52
NP765510		6.500	3.750	0.13			
		165.100	95.250	3.30			
NP769363		2.500	1.510	0.14			
		63.500	38.354	3.50			
	NP771105				4.331	0.807	0.10
					110.000	20.500	2.54
	NP777052				6.625	1.625	0.13
					168.275	41.275	3.30
NP780723		1.496	0.669	0.13			
		38.000	17.000	3.30			
NP785304		1.250	0.660	0.03			
		31.750	16.764	0.76			
NP785840		1.563	1.010	0.14			
		39.688	25.654	3.50			
NP799347		3.348	1.838	0.14			
		85.027	46.673	3.50			
NP799449		2.875	1.424	0.14			
		73.025	36.170	3.50			
	NP801481				2.344	0.720	0.06
					59.530	18.288	1.52

Tapered Roller Bearings

NP Part Numbers - Continued

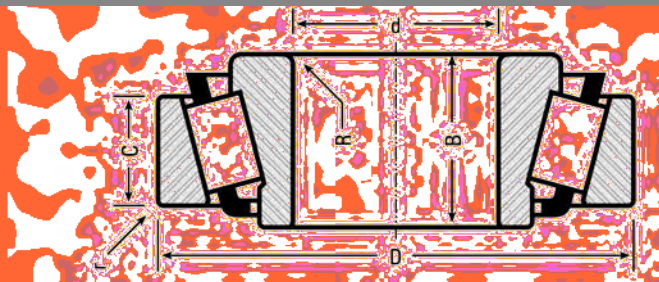


Numerical Listing

Part Numbers		Cone			Cup		
Cone	Cup	Bore d	Width B	BF Radius R	O.D. D	Width C	BF Radius r
	NP802507				3.813 96.838	0.798 20.274	0.09 2.29
	NP806066				2.891 73.431	0.620 15.748	0.03 0.76
	NP813528				13.250 336.550	2.000 50.800	0.13 3.30
	NP819244				5.909 150.089	1.438 36.513	0.06 1.52
NP821977		7.000 177.800	2.125 53.975	0.31 8.00			
NP823007		4.250 107.950	0.844 21.438	0.14 3.50			
NP823021		12.500 317.500	3.375 85.725	0.14 3.50			
NP825236		7.874 200.000	2.441 62.000	0.14 3.50			
	NP831700				4.063 103.188	1.438 36.513	0.13 3.30
NP834378		1.250 31.750	0.660 16.764	SPCL			
NP835067		1.875 47.625	0.963 24.448	0.14 3.50			
NP836098		12.598 320.000	3.937 100.000	0.20 5.00			
NP837489		2.598 66.000	1.030 26.150	0.03 0.76			
NP837704		9.750 247.650	2.500 63.500	0.25 6.35			
NP839980		5.250 133.350	2.500 63.500	0.38 9.65			
NP840302		3.250 82.550	1.421 36.099	0.14 3.50			

Tapered Roller Bearings

NP Part Numbers - Continued



Numerical Listing

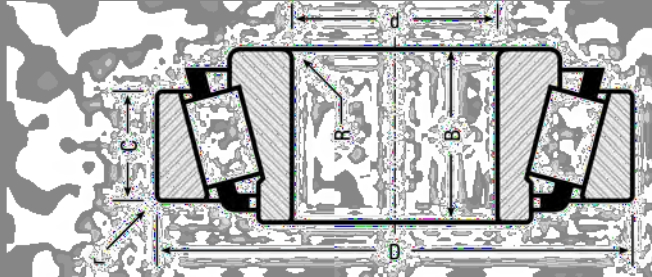
Part Numbers		Cone			Cup		
Cone	Cup	Bore d	Width B	BF Radius R	O.D. D	Width C	BF Radius r
	NP841384				4.375 111.125	0.813 20.638	0.13 3.30
	NP844212				2.677 68.000	0.480 12.200	0.02 0.50
NP844601		2.813 71.438	1.281 32.545	0.14 3.50			
	NP847247				4.438 112.713	0.750 19.050	0.13 3.30
	NP850439				2.441 62.000	0.563 14.288	0.05 1.27
NP851052		3.250 82.550	1.838 46.673	0.14 3.50			
NP851626		1.000 25.400	0.580 14.732	0.05 1.27			
	NP852290				2.563 65.088	0.550 13.970	0.05 1.27
NP853895		1.500 38.100	0.750 19.050	0.08 2.03			
NP853900		4.000 101.600	1.375 34.925	0.03 0.76			
	NP854000				5.902 149.898	1.063 26.988	0.13 3.30
NP855422		2.000 50.800	0.719 18.258	0.14 3.50			
	NP859261				5.375 136.525	1.438 36.513	0.13 3.30
NP859982		7.087 180.000	1.772 45.000	0.12 3.05			
NP861151		1.516 38.500	0.709 18.000	0.10 2.54			
NP864314		2.000 50.800	1.438 36.513	0.14 3.50			

bearing
specification:
001011011101100110101
001011011101100110101

TIMKEN®

Tapered Roller Bearings

NP Part Numbers - Continued

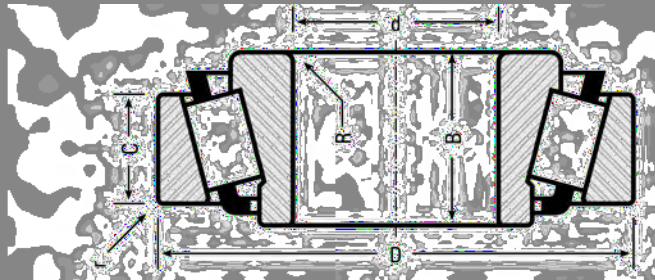


Numerical Listing

Part Numbers		Cone			Cup		
Cone	Cup	Bore d	Width B	BF Radius R	O.D. D	Width C	BF Radius r
	NP865268				3.250 82.550	0.650 16.510	0.05 1.27
	NP865283				4.125 104.775	1.125 28.575	0.13 3.30
NP869339		2.756 70.000	1.142 29.000	0.12 3.05			
NP871543		2.688 68.263	0.866 21.996	0.09 2.29			
	NP873173				2.677 68.000	0.709 18.000	0.04 1.02
NP874005		1.750 44.450	1.193 30.302	0.14 3.50			
	NP876594				5.909 150.089	1.438 36.513	0.06 1.52
NP879380		1.375 34.925	0.720 18.288	SPCL			
	NP882000				3.265 82.931	0.750 19.050	0.03 0.76
NP882248		4.500 114.300	2.625 66.675	0.28 7.00			
NP883948		4.500 114.300	2.625 66.675	0.28 7.00			
	NP885315				2.441 62.000	0.551 14.001	0.06 1.52
NP889967		1.625 41.275	0.780 19.812	0.14 3.50			
	NP896049				3.156 80.168	0.938 23.813	0.13 3.30
NP899357		2.625 66.675	1.510 38.354	0.14 3.50			
	NP901205				10.250 260.350	1.625 41.275	0.13 3.30

Tapered Roller Bearings

NP Part Numbers - Continued



Numerical Listing

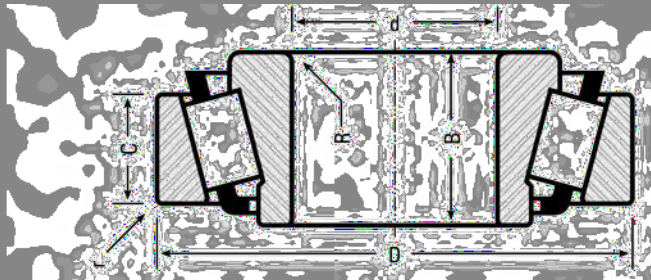
Part Numbers		Cone			Cup		
Cone	Cup	Bore d	Width B	BF Radius R	O.D. D	Width C	BF Radius r
NP904081		1.656 42.070	1.590 40.386	0.14 3.50			
NP904811		1.750 44.450	1.059 26.909	0.14 3.50			
NP905672		0.984 25.000	0.591 15.000	0.04 1.02			
	NP905784				3.150 80.000	0.738 18.738	0.03 0.76
	NP908986				3.937 100.000	0.689 17.500	0.06 1.52
	NP909855				5.786 146.975	1.280 32.500	0.14 3.56
	NP910345				3.813 96.838	0.625 15.875	0.03 0.76
NP910415		1.750 44.450	1.000 25.400	0.14 3.50			
	NP913325				3.250 82.550	0.650 16.510	0.05 1.27
	NP917572				2.891 73.431	0.620 15.748	0.03 0.76
	NP918319				1.980 50.292	0.420 10.668	0.05 1.27
	NP918734				8.375 212.725	2.125 53.975	0.13 3.30
NP921376		3.063 77.788	1.917 48.702	0.14 3.50			
	NP926068				3.250 82.550	0.795 20.193	0.13 3.30
NP928171		3.625 92.075	1.430 36.322	0.14 3.50			
	NP928978				13.280 337.312	3.063 77.788	0.13 3.30

bearing
specification:
00101101111011100110101
00101101111011100110101

TIMKEN®

Tapered Roller Bearings

NP Part Numbers - Continued

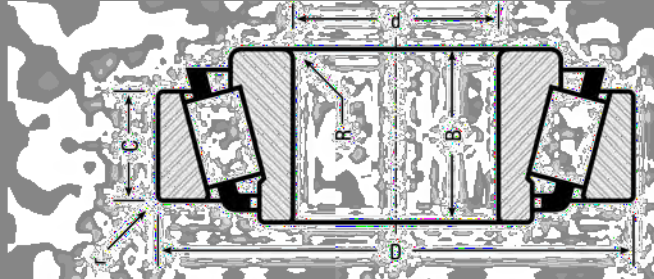


Numerical Listing

Part Numbers		Cone			Cup		
Cone	Cup	Bore d	Width B	BF Radius R	O.D. D	Width C	BF Radius r
NP929079		1.693 43.000	1.181 30.000	0.08 2.03			
NP930036		2.250 57.150	1.444 36.678	0.14 3.50			
NP941423		1.772 45.000	0.787 20.000	0.06 1.52			
	NP941813				3.347 85.000	0.625 15.875	SPCL
NP942787		2.362 60.000	1.319 33.500	0.12 3.05			
	NP944668				2.875 73.025	0.750 19.050	0.03 0.76
	NP945727				3.250 82.550	0.591 15.000	0.13 3.30
NP945856		1.750 44.450	1.193 30.302	0.14 3.50			
NP946192		1.750 44.450	0.906 23.012	0.03 0.76			
NP946311		1.375 34.925	0.969 24.608	0.06 1.52			
	NP948363				2.563 65.088	0.666 16.922	0.06 1.52
	NP949481				4.125 104.775	0.891 22.621	0.13 3.30
NP951065		1.250 31.750	1.094 27.783	0.05 1.27			
NP952605		1.496 38.000	0.669 17.000	0.13 3.30			
	NP953382				9.250 234.950	1.938 49.213	0.13 3.30
	NP954445				3.031 76.993	0.469 11.908	0.06 1.52

Tapered Roller Bearings

NP Part Numbers - Continued



Numerical Listing

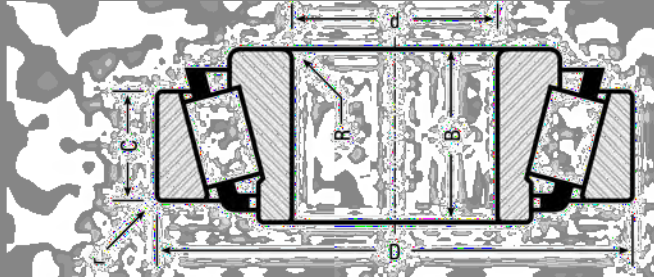
Part Numbers		Cone			Cup		
Cone	Cup	Bore d	Width B	BF Radius R	O.D. D	Width C	BF Radius r
NP956328		1.614 40.988	0.709 18.000	SPCL			
	NP957262				5.000 127.000	1.375 34.925	0.13 3.30
NP957859		2.756 70.000	0.984 25.000	0.04 1.02			
	NP961542				6.375 161.925	1.500 38.100	0.13 3.30
	NP962387				3.150 80.000	0.610 15.500	0.04 1.02
NP963662		2.000 50.800	0.875 22.225	0.14 3.50			
NP965020		6.693 170.000	1.813 46.038	0.19 4.83			
NP965350		3.542 89.974	1.575 40.000	0.28 7.00			
	NP968527				19.250 488.950	2.938 74.613	0.13 3.30
NP971375		2.250 57.150	1.250 31.750	0.02 0.51			
NP972299		2.000 50.800	1.125 28.575	0.14 3.50			
NP972505		15.000 381.000	4.125 104.775	0.25 6.35			
	NP975161				5.512 139.992	1.125 28.575	0.13 3.30
	NP975201				5.909 150.089	1.438 36.513	0.13 3.30
	NP977722				2.441 62.000	0.563 14.288	0.05 1.27
	NP980884				2.891 73.431	0.620 15.748	0.03 0.76

bearing
specification:
001011011101100110101
001011011101100110101

TIMKEN®

Tapered Roller Bearings

NP Part Numbers - Continued

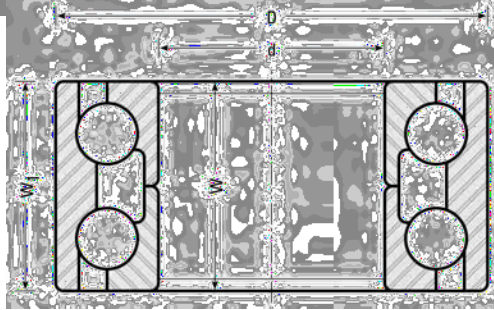


Numerical Listing

Part Numbers		Cone			Cup		
Cone	Cup	Bore d	Width B	BF Radius R	O.D. D	Width C	BF Radius r
NP981262		4.750 120.650	1.875 47.625	0.13 3.30			
	NP981435				10.500 266.700	1.500 38.100	0.13 3.30
NP984350		1.250 31.750	0.813 20.638	0.03 0.76			
	NP984494				2.563 65.088	0.550 13.970	0.05 1.27
NP985346		4.750 120.650	1.813 46.038	0.14 3.50			
NP986901		1.378 35.000	0.706 17.935	0.04 1.02			
NP987549		3.000 76.200	2.265 57.531	0.14 3.50			
NP993044		3.500 88.900	2.265 57.531	0.31 8.00			
	NP995513				2.563 65.088	0.550 13.970	0.05 1.27
NP999210		1.000 25.400	0.910 23.114	0.03 0.76			

Wheel Bearings

Front Wheel

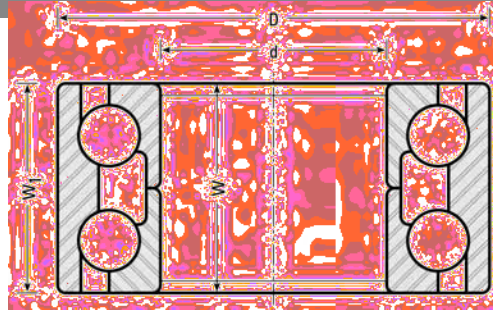


Double Row

Bearing Number	Bore d		Outside Diameter D		Inner Ring Width W		Outer Ring Width W1	
	Inch	mm	Inch	mm	Inch	mm	Inch	mm
510031	1.1811	30	2.6772	68	1.7717	45	-	-
513150	1.2598	32	2.8346	72	1.7717	45	1.7717	45
510066	1.3386	34	2.5197	64	1.4567	37	1.4567	37
510033	1.3386	34	2.6772	68	1.4567	37	-	-
510017	1.3386	34	3.0315	77	1.6535	42	1.6535	42
510014	1.3780	35	2.5197	64	1.4567	37	1.4567	37
513021	1.3780	35	2.5984	66	1.4567	37	1.4567	37
510054	1.3780	35	2.6772	68	1.2402	32	1.1811	30
B-33	1.3780	35	2.6772	68	1.4567	37	1.4567	37
513002	1.3780	35	2.8346	72	1.2992	33	1.2205	31
B-36	1.3780	35	2.8346	72	1.3386	34	1.3386	34
510023	1.3780	35	2.9921	76	2.1260	54	2.1260	54
510001	1.4173	36	2.6770	68	1.2992	33	1.2992	33
B-32	1.4173	36	2.8363	72	1.3386	34	1.3386	34
510012	1.4961	38	2.7559	70	1.4961	38	1.4961	38
510002	1.4961	38	2.7953	71	1.2992	33	1.1811	30
510007	1.4961	38	2.8354	72	1.4173	36	1.2992	33
513025	1.4961	38	2.8362	72	1.3386	34	1.3386	34
513024	1.4961	38	2.8362	72	1.5748	40	1.5748	40
510015	1.4961	38	2.8740	73	1.5748	40	1.5748	40
514002	1.4961	38	2.9134	74	1.4173	36	1.2992	33
517011	1.4961	38	2.9134	74	1.4173	36	-	-
510035	1.4961	38	2.9134	74	1.5748	40	-	-
510008	1.4961	38	2.9150	-	1.9685	50	1.9685	50

Wheel Bearings

Front Wheel - Continued

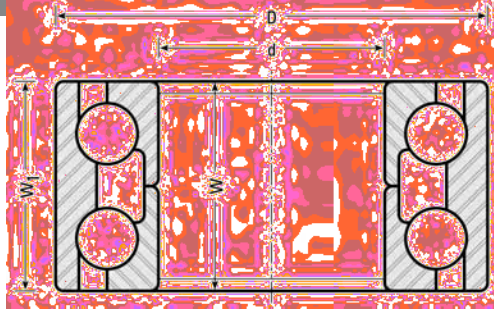


Double Row

Bearing Number	Bore d		Outside Diameter D		Inner Ring Width W		Outer Ring Width W1	
	Inch	mm	Inch	mm	Inch	mm	Inch	mm
510055	1.5000	38	2.7559	70	1.4567	37	1.4567	37
510024	1.5354	39	2.6772	68	1.4567	37	1.4567	37
510052	1.5354	39	2.9134	74	1.5354	39	-	-
510065	1.5354	39	2.9134	74	1.5354	39	1.5354	39
510020	1.5354	39	2.9528	75	1.4567	37	1.4567	37
510018	1.5748	40	2.8346	72	1.4173	36	1.2992	33
510004	1.5748	40	2.8374	72	1.4567	37	1.4567	37
510003	1.5748	40	2.9134	74	1.5748	40	1.5748	40
510013	1.5748	40	2.9134	74	1.5748	40	1.5748	40
510029	1.5748	40	2.9528	75	1.4567	37	-	-
510032	1.5748	40	2.9921	76	1.2992	33	-	-
B-39	1.5748	40	2.9921	76	1.2992	33	1.1024	28
513053	1.5748	40	2.9937	76	1.6142	41	1.4961	38
513036	1.5748	40	3.1496	80	1.4173	36	1.3386	34
513144-K	1.5748	40	4.2520	108	1.7717	45	1.7717	45
513106	1.6535	42	2.9528	75	1.4567	37	1.4567	37
510009	1.6535	42	2.9921	76	1.4961	38	1.3780	35
513006	1.6535	42	2.9921	76	1.5748	40	1.4567	37
513241	1.6535	42	3.0709	78	1.6142	41	1.4961	38
513054	1.6535	42	3.0720	78	1.6142	41	1.4961	38
513180	1.6535	42	3.1496	80	1.6535	42	-	-
510010	1.6535	42	3.1496	80	1.7717	45	1.7717	45
510053	1.6535	42	3.1496	80	1.7717	45	-	-
513073	1.6535	42	3.2283	82	1.4173	36	1.4173	36
513151	1.6535	42	3.3079	84	1.4173	36	1.4173	36
510019	1.6929	43	3.2283	82	1.4567	37	1.4567	37

Wheel Bearings

Front Wheel - Continued

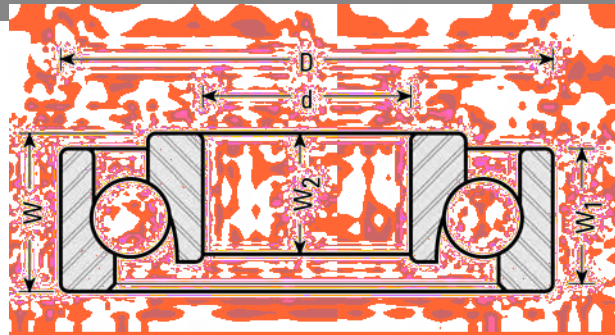


Double Row

Bearing Number	Bore d		Outside Diameter D		Inner Ring Width W		Outer Ring Width W1	
	Inch	mm	Inch	mm	Inch	mm	Inch	mm
510006	1.6929	43	3.2283	82	1.7717	45	1.7717	45
513093	1.6929	43	3.3071	84	1.9291	49	1.8700	48
513052	1.7323	44	3.3071	84	1.6535	42	1.5748	40
510051	1.7717	45	3.1496	80	1.7717	45	-	-
510034	1.7717	45	3.3071	84	1.6142	41	1.5354	39
510050	1.7717	45	3.3071	84	1.6535	42	1.5748	40
510028	1.8504	47	3.1890	81	2.0866	53	2.0866	53
510011	1.8898	48	3.5039	89	1.7323	44	1.6535	42

Wheel Bearings

Front Wheel

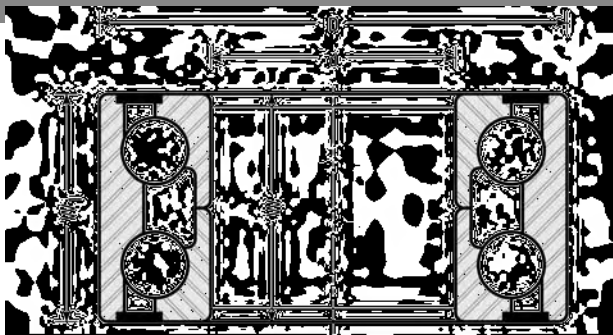


Single Row

Bearing Number	Bore d		O.D. D		Overall Width W		Outer Ring Width W1		Inner Ring Width W2	
	Inch	mm	Inch	mm	Inch	mm	Inch	mm	Inch	mm
B-41	.7500	19	1.9350	49	.6600	17	.5000	13	.5950	15
B-67	.7500	19	2.0800	53	.7180	18	.4710	12	.4710	12
B-01	.7500	19	2.0805	53	.7180	18	.6100	15	.5970	15
B-25	.8435	21	2.2503	57	.8000	20	.6900	18	.6590	17
B-73	.8435	21	2.2503	57	.8000	20	.4810	12	.5910	15
B-45	.9058	23	2.2503	57	.8000	20	.6900	18	.6590	17
B-47	.9065	23	2.2503	57	.7900	20	.4800	12	.5900	15
513005	1.1811	30	2.4409	62	.6299	16	.6299	16	.6299	16
B-37	1.1811	30	2.4409	62	.6299	16	.6299	16	.6299	16
B-02	1.1899	30	2.9630	75	1.1500	29	.7750	20	.8700	22
B-40	1.2500	32	2.5640	65	.7590	19	.5630	14	.7500	19
B-70	1.2500	32	2.6500	67	.8100	21	.5160	13	.7010	18
B-52	1.2810	33	2.9630	75	1.1500	29	.7700	20	.8700	22
B-66	1.3745	35	2.9630	75	.7610	19	.5710	15	.6460	16
B-62	1.3745	35	2.9630	-	1.1550	29	.7740	20	.8700	22
B-26	1.4060	36	3.1500	80	1.2260	31	.8510	22	.9170	23
B-48	1.4995	38	3.1500	80	.9100	23	.6500	17	.7000	18
B-44	1.4995	38	3.1500	80	1.2360	31	.6500	17	.9170	23
B-46	1.4995	38	3.1500	80	1.2360	31	.8510	22	.9170	23

Wheel Bearings

Rear Wheel



Double Row

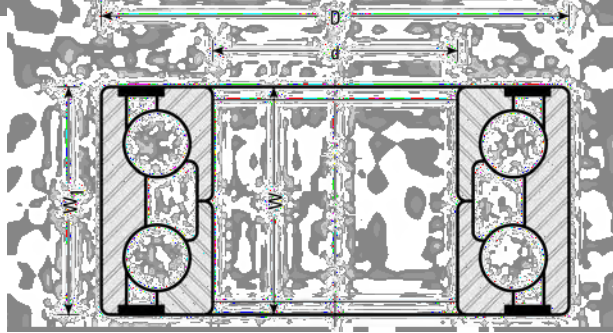
Bearing Number	Bore d		Outside Diameter D		Inner Ring Width W		Outer Ring Width W1	
	Inch	mm	Inch	mm	Inch	mm	Inch	mm
513071	1.0630	27	2.3622	60	1.9685	50	1.9685	50
* 513031	1.1024	28	2.4016	61	1.6535	42	1.6535	42
513116	1.1811	30	2.3622	60	1.4567	37	1.4567	37
* 513022	1.1811	30	2.4803	63	1.6535	42	1.6535	42
511008	1.2598	32	2.8740	73	2.1260	54	2.1260	54
513182	1.3386	34	2.6772	68	1.4567	37	1.4173	36
513051	1.3386	34	2.6772	68	1.6535	42	1.6535	42
514000	1.3780	35	2.8346	72	1.7717	45	1.7717	45
510005	1.3780	35	3.1496	80	1.8504	47	1.8504	47
511023	1.4961	38	2.5591	65	2.0472	52	-	-
513113	1.5354	39	2.8346	72	1.4567	37	1.4567	37
511013	1.5748	40	2.7559	70	1.6929	43	1.6929	43
510016	1.5748	40	2.9134	74	1.4173	36	1.3386	34
513112	1.6535	42	2.9528	75	1.4567	37	1.4567	37
511000	1.6535	42	3.1496	80	1.7717	45	1.7717	45
* 511007	1.6929	43	3.1496	80	1.9685	50	1.7717	45
513130	1.7717	45	3.3071	84	1.5354	39	-	-
511010	1.8110	46	3.4252	87	2.2441	57	-	-

bearing
specification:
0010110111101100110101
0010110111101100110101

TIMKEN®

Wheel Bearings

Rear Wheel - Continued

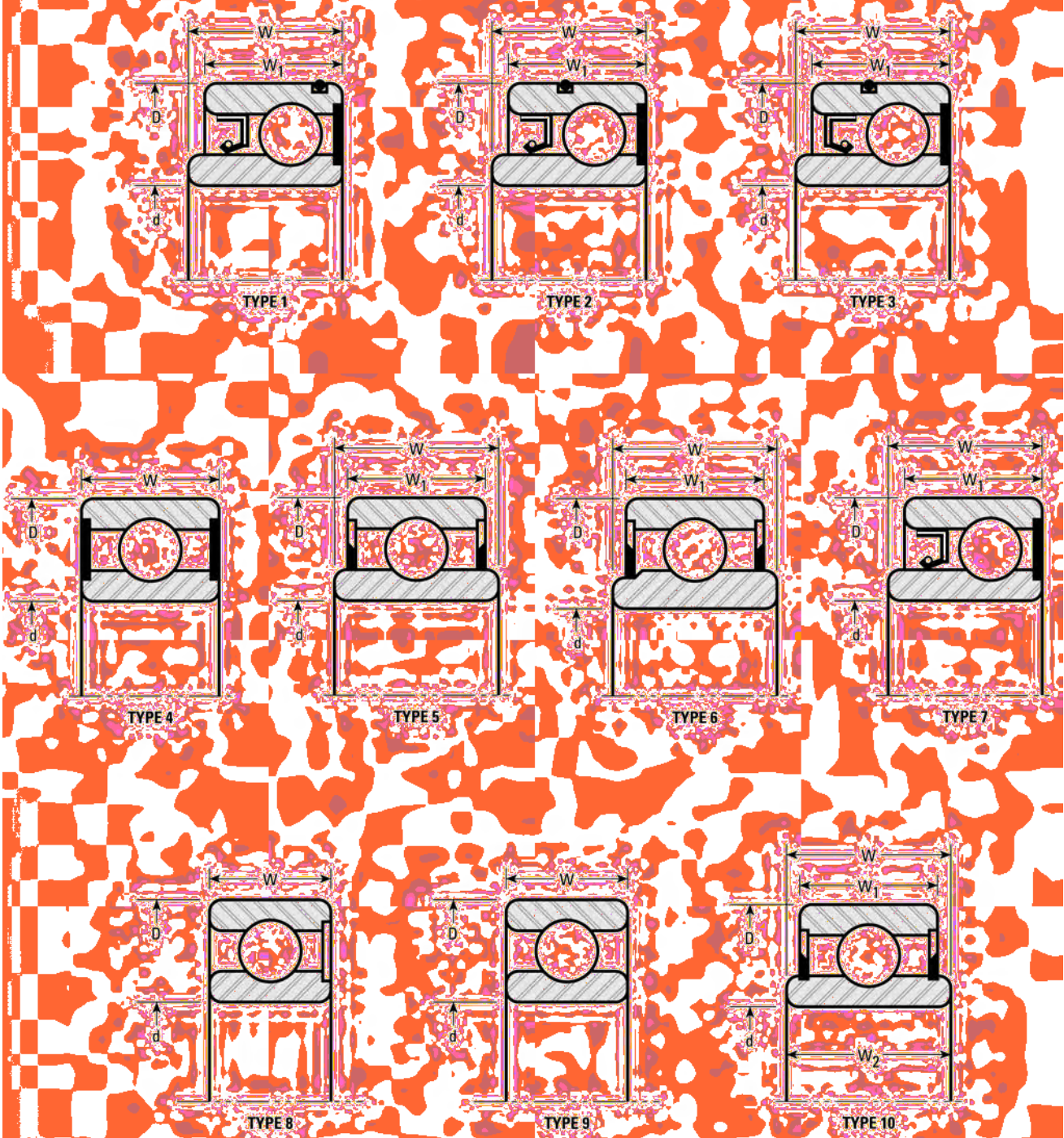


Double Row

Bearing Number	Bore d		Outside Diameter D		Inner Ring Width W		Outer Ring Width W1	
	Inch	mm	Inch	mm	Inch	mm	Inch	mm
511011	1.8110	46	3.4252	87	2.2441	57	-	-

* Open Bearing

Wheel Bearings



bearing
specification:
0010110111011100110101
0010110111011100110101

TIMKEN®

Wheel Bearings

Rear Wheel - Single Row

Bearing Number	Bore		O.D.		Overall		Outer Ring		Type #
	d		D		Width W		Width W1		
	Inch	mm	Inch	mm	Inch	mm	Inch	mm	
RW-122	1.1024	28	2.2835	58	0.6299	16	0.6299	16	9
RW-101	1.1811	30	2.4409	62	0.6299	16	0.6299	16	8
RW-102-R	1.1811	30	2.4409	62	0.6299	16	0.6299	16	4
513032	1.1811	30	2.4409	62	0.8661	22	0.7087	18	-
88506-AR	1.1811	30	2.4409	62	0.9449	24	0.6299	16	10
88506-BR	1.1811	30	2.4409	62	0.9449	24	0.6299	16	10
RW-129-R	1.1811	30	2.6378	67	0.9843	25	0.6693	17	4
RW-125	1.1811	30	2.8346	72	0.7480	19	0.7480	19	8
RW-506-AR	1.2500	32	2.5625	65	0.7293	19	0.6693	17	6
RW-116	1.2500	-	2.7500	-	0.6875	-	0.6875	-	9
RW-117	1.2500	-	2.7500	-	0.8661	22	0.6875	-	8
RW-114-R	1.2598	32	2.8346	72	0.7480	19	0.7480	19	4
RWF-34-R	1.3386	34	2.6772	68	0.9449	24	0.8268	21	5
RW-507-CR	1.3780	35	2.7475	70	0.7000	18	0.6600	17	3
514004	1.3780	35	2.8346	72	0.6693	17	0.6693	17	4
RW-124-R	1.3780	35	2.8346	72	0.6693	17	0.6693	17	10
RW-207-CCRA	1.3780	35	2.8346	72	0.8449	21	0.8449	21	4
RW-127-R	1.3780	35	2.8346	72	0.8661	22	0.8268	21	2
RW-507-ER	1.3780	35	2.8346	72	0.9250	24	0.8858	23	2
88107	1.3780	35	2.8346	72	0.9843	25	0.6693	17	7
88107-AR	1.3780	35	2.8346	72	0.9843	25	0.6693	17	10
RW-128-R	1.3780	35	2.8346	72	1.0200	-	0.6693	17	4
511017	1.3780	35	2.8346	72	1.3693	35	-	-	-
RW-307-R	1.3780	35	3.0000	76	0.9055	23	0.9055	23	3
RW-607-NR	1.3780	35	3.0000	76	1.0320	26	1.0000	25	1
511001	1.3780	35	3.1496	80	0.8268	21	0.8268	21	5
511022	1.3780	35	3.1496	80	0.8268	21	0.8268	21	9
511004	1.3780	35	3.1496	80	1.0236	26	0.8268	21	-
514001	1.3780	35	3.1496	80	1.1024	28	0.8268	21	4
RWC-35-YYR	1.4320	-	2.8760	-	0.9300	-	0.7000	-	5
RW-508-BR	1.5312	39	3.0623	-	0.7760	20	0.7760	20	5
514003	1.5312	39	3.1496	80	1.0830	38	0.8268	21	10
88128-RA	1.5312	39	3.1496	80	1.0830	28	0.8268	21	10
88131-R	1.5312	39	3.2520	83	1.0252	26	0.8500	22	10

Wheel Bearings

Rear Wheel - Single Row - Continued

Bearing Number	Bore		O.D.		Overall		Outer Ring		Type #
	d		D		Width W		Width W1		
	Inch	mm	Inch	mm	Inch	mm	Inch	mm	
RW-130-R	1.5748	40	3.5433	90	0.9055	23	0.9055	23	4
511016	1.5748	40	3.5433	90	1.0236	26	-	-	-
RW-509-FR	1.6250	41	3.2677	83	1.0236	26	1.0136	26	2

Wheel Bearings

Rear Wheel Collar to Bearing / Dimensions

Collar Number	Bearing I.D.	Collar I.D.	Bearing O.D.	Collar O.D.	Bearing Width	Collar Width	Bearing Number
R-88506	1.181	1.178	2.441	1.720	.945	.281	88506-AR
R-88506-A	1.181	1.176	2.441	1.649	.945	.629	88506-BR
R-102	1.181	1.176	2.441	1.652	.630	.626	RW-102-R
R-114	1.260	1.250	2.835	1.616	.748	.827	RW-114-R
R-88107	1.378	1.375	3.000	1.965	1.032	.388	88107-AR
R-124	1.378	1.373	2.047	2.042	.700	.700	RW-124-R
R-88107-A	1.378	1.375	2.825	2.095	.845	.398	RW-207-CCRA
R-88107	1.378	1.375	3.000	1.965	.906	.388	RW-307-R
R-88107	1.378	1.375	2.835	1.965	.885	.388	RW-507-ER
R-88128-A	1.531	1.526	3.150	2.281	1.768	.685	88128-RA
R-88128-A	1.531	1.526	3.150	2.281	1.768	.685	88128-RAP

NUMERICAL INDEX BY INDUSTRY NUMBER

Industry No	Timken No	Page No.	Industry No	Timken No	Page No.
00050-00150	00050-00150	198, 341	08125-08231B	08125-08231-B	211, 344
01296	01296	86	08125-08231D	08125-08231D	211, 344
01496	01496	86	09062-09195	09062-09195	199, 344
01576	01576	86	09067-09194	09067-09194	200, 344
01812	01812	85	09067-09195	09067-09195	200, 344
02135	02135	85	09067-09195AB	09067-09195AB	200, 344
02251	02251	85	09067-09196	09067-09196	200, 344
02252	02252	85	09074-09195	09074-09195	200, 344
02255	02255	85	09078-09195	09078-09195	200, 344
02256-N	02256N	86	09081-09195	09081-09195	201, 344
02474-02420B	02474-02420-B	208, 341	09081-09195AB	09081-09195AB	201, 344
02475-02420	02475-02420	212, 341	100-MS	100MS	185
02475-02420B	02475-02420-B	212, 341	100-CC4	100CCAB	52
02476-02420	02476-02420	212, 341	101-SS	101SS	52, 98
02755	02755	85	102-CC	102CC	52, 98
02872-02820	02872-02820	208, 341	102-SS	102SS	52
02872-02823D	02872-02823D	208, 341	103-CC	103CC	52, 99
02875-02823D	02875-02823D	212, 341	104	104	52
02876-02823D	02876-02823D	212, 341	104-CC	104CC	52
02877-02823D	02877-02823D	216, 341	105	105CB	52, 99
02878-02820	02878-02820	216, 342	105-CC	105CC	52, 99
02878-02823D	02878-02823D	216, 342	105-SS1	105SSI	54, 99
03062-03162	03062-03162	199, 342	106	106WB	52
05062-05185	05062-05185	199, 342	106-CC	106CC	52
05062-05185B	05062-05185-B	199, 342	106-SS	106SS	52
05062-05185D	05062-05185D	199, 342	107	107WB	52
05066-05185	05066-05185	200, 342	107-DD	107DD	52
05066-05185D	05066-05185D	200, 342	108	108TB	52
05075-05185	05075-05185	200, 342	108-A	108A	54
05075-05185D	05075-05185D	200, 342	108-FFL	108FFL	52
05079-05185	05079-05185	201, 342	108-FFN	108FFN	52
05079-05185B	05079-05185-B	201, 342	108-L	108L	52
05079-05185D	05079-05185D	201, 342	108-SSA	108SSA	54
07079-07196	07079-07196	201, 342	109	109TB	52
07079-07196D	07079-07196D	201, 342	109-L	109L	52
07079-07196DC	07079-07196DC	201, 342	110	110CB	53
07087-07196	07087-07196	202, 342	110-CC	110CC	53
07087-07196D	07087-07196D	202, 342	110-L	110L	53
07087-07196DC	07087-07196DC	202, 342	110-SS	110SS	53
07087-07204	07087-07204	202, 340	111	111TB	53
07087X-07210X	07087X-07210X	202, 342	111-G	111G	54
07093-07196	07093-07196	202, 342	111-L	111L	53
07093-07196D	07093-07196D	202, 342	11162-11300	11162-11300	226, 344
07093-07196DC	07093-07196DC	202, 343	11162-11300B	11162-11300-B	226, 344
07096-07196	07096-07196	204, 343	11162-11315	11162-11315	226, 344
07096-07196D	07096-07196D	204, 343	112	112BB	53
07096-07196DC	07096-07196DC	204, 343	112-S	112S	53
07097-07196	07097-07196	203, 343	113	113TB	53
07097-07196D	07097-07196D	203, 343	113-ASG	113ASG	54
07097-07196DC	07097-07196DC	203, 343	113-L	113L	53
07097-07204	07097-07204	203, 340	113-SS	113SS	53
07098-07196	07098-07196	203, 343	114	114	53
07098-07196D	07098-07196D	203, 343	115	115BB	53
07098-07196DC	07098-07196DC	203, 343	115-L	115L	53
07098-07204	07098-07204	203, 340	115-SS	115SS	53
07098W-07210X	07098W-07210X	203, 343	11590-11520	11590-11520	199, 344
07100-07196	07100-07196	204, 343	116	116BB	53
07100-07196B	07100-07196-B	204, 343	116-L	116L	53
07100-07196D	07100-07196D	204, 343	117-L	117L	53
07100-07196DC	07100-07196DC	204, 343	11739	11739	150
07100-S-07196	07100-S-07196	204, 343	118-L	118L	53
07100-S-07196D	07100-S-07196D	205, 343	118-S	118S	53
07100-S-07196DC	07100-S-07196DC	205, 343	118-SL	118SL	53
07100-07204	07100-07204	204, 340	1205	1205BB	74
07100-07204B	07100-07204-B	204, 343	1205-SS	1205SS	74
07100-SA-07210X	07100-SA-07210X	205, 343	1206	1206AG	74
07100-S-07210X	07100-S-07210X	205, 343	1206-L	1206L	74
07100W-07210X	07100W-07210X	204, 343	1206-SL	1206SL	74
08125-08231	08125-08231	211, 344	1206-SS	1206SS	74

NUMERICAL INDEX BY INDUSTRY NUMBER

Industry No	Timken No	Page No.	Industry No	Timken No	Page No.
1207	1207TB	74	1307-L	1307L	77
1207-L	1207L	74	1307-S	1307S	77
1207-LOE	1207LOE	76	1307-SL	1307SL	77
1207-S	1207S	74	1307-SS	1307SS	77
1207-SL	1207SL	74	1308	1308	77
1207-SS	1207SS	74	1308-L	1308L	77
1207-SSL	1207SSL	74	1308-S	1308S	77
1208-A	1208A	74	1308-SL	1308SL	77
1208-L	1208L	74	1308-SS	1308SS	78
1208-S	1208S	74	1309	1309	78
1208-SL	1208SL	74	1309-L	1309L	78
1208-SS	1208SS	74	1309-S	1309S	78
1208-SSL	1208SSL	74	1309-SS	1309SS	78
1209-A	1209A	74	1310	1310AG	78
1209-L	1209L	75	1310-L	1310L	78
1209-S	1209S	75	1310-SL	1310SL	78
1209-SL	1209SL	75	1310-SS	1310SS	78
1209-SS	1209SS	75	1310-SVL	1310SVL	78
1210-L	1210L	75	1310-L1	1310LI	80
1210-S	1210S	75	1311	1311AG	78
1210-SL	1210SL	75	1311-L	1311L	78
1210-SS	1210SS	75	1311-S	1311S	78
1210-X3	1210XE	75	1311-SL	1311SL	78
1211	1211AG	75	1312	1312	78
1211-L	1211L	75	1312-L	1312L	78
1211-S	1211S	75	1312-SL	1312SL	78
1211-SL	1211SL	75	1312-SV	1312SV	78
1211-SS	1211SS	75	1313	1313AG	78
1211-SSL	1211SSL	75	1313-L	1313L	79
1212	1212AG	75	1313-SL	1313SL	79
1212-L	1212L	75	1313-SLB	1313SLB	80
1212-S	1212S	75	1313-SLV	1313SLV	79
1212-SL	1212SL	75	1313-SS	1313SS	79
1212-SLV	1212SLV	75	1314	1314	79
1212-SS	1212SS	75	1314-SL	1314SL	79
1213-A	1213A	75	1315	1315BB	79
1213-L	1213L	75	13175-13318	13175-13318	231, 345
1213-SL	1213SL	75	13685-13621	13685-13621	221, 345
1213-SLV	1213SLV	75	13685-13621D	13685-13621D	221, 345
1214	1214AG	75	13686-13620	13686-13620	223, 345
1214-S	1214S	75	13686-13621	13686-13621	223, 345
1214-SL	1214SL	75	13686-13621A	13686-13621A	223, 345
1215	1215BB	75	13686-13623X	13686-13623X	223, 345
1216-A	1216A	75	13686-13624	13686-13624	223, 345
1216-L	1216L	75	13687-13620	13687-13620	221, 345
1216-SL	1216SL	75	13687-13621	13687-13621	221, 345
12168-12303	12168-12303	230, 345	13687-13621D	13687-13621D	221, 345
12175-12303	12175-12303	231, 345	1377-C	1377C	87
1218-L	1218L	76	1380-1328	1380-1328	202, 327
1218-S	1218S	76	1380-1328B	1380-1328-B	202, 327
122-L	122L	54	1380-1329	1380-1329	202, 328
122-SL	122SL	54	13889-13830	13889-13830	221, 345
1224-XM	1224XM	76	13889-13836	13889-13836	221, 345
124-AL	124AL	54	14116-14274	14116-14274	210, 346
12580-12520	12580-12520	201, 345	14116-14276	14116-14276	211, 346
1280-1220	1280-1220	202, 327	14116-14276B	14116-14276-B	211, 346
1304	1304	77	14116-14276D	14116-14276D	211, 346
1304-SS	1304SS	77	14116-14283	14116-14283	211, 346
1305	1305	77	14117A-14276	14117A-14276	209, 346
1305-S	1305S	77	14117A-14276D	14117A-14276D	209, 346
1305-SL	1305SL	77	1412-L	1412L	80
1305-SS	1305SS	77	14123A-14272	14123A-14272	213, 346
1306	1306TB	77	14123A-14273	14123A-14273	213, 346
1306-L	1306L	77	14123A-14274	14123A-14274	213, 346
1306-S	1306S	77	14123A-14274A	14123A-14274A	213, 346
1306-SLVB	1306SLVB	80	14123A-14274-S	14123A-14274-S	213, 346
1306-SS	1306SS	77	14123A-14275A	14123A-14275A	213, 346
1306-SSL	1306SSL	77	14123A-14276	14123A-14276	213, 346
1307	1307	77	14123A-14277	14123A-14277	213, 346

NUMERICAL INDEX BY INDUSTRY NUMBER

Industry No	Timken No	Page No.	Industry No	Timken No	Page No.
14123A-14282	14123A-14282	213, 346	15113-15245	15113-15245	208, 349
14123A-14283	14123A-14283	213, 346	15113-15251D	15113-15251D	208, 349
14123A-14284	14123A-14284	213, 346	15116-15245	15116-15245	210, 349
14123A-14299	14123A-14299	213, 346	15116-15251D	15116-15251D	210, 349
14124-14276	14124-14276	211, 346	15117-15245	15117-15245	210, 350
14124-14276D	14124-14276D	211, 346	15117-15251D	15117-15251D	210, 350
14125A-14276	14125A-14276	211, 347	15118-15245	15118-15245	211, 350
14125A-14276D	14125A-14276D	212, 347	15118-15251D	15118-15251D	211, 350
14130-14276	14130-14276	214, 347	15119-15245	15119-15245	211, 350
14130-14276D	14130-14276D	214, 347	15119-15251D	15119-15251D	211, 350
14131-14276	14131-14276	214, 347	15120-15245	15120-15245	211, 350
14131-14276D	14131-14276D	214, 347	15120-15251D	15120-15251D	211, 350
14136A-14272	14136A-14272	216, 347	15123-15245	15123-15245	211, 350
14136AA-14272	14136AA-14272	217, 347	15123-15251D	15123-15251D	211, 350
14136A-14273	14136A-14273	216, 347	15125-15245	15125-15245	212, 350
14136AA-14273	14136AA-14273	217, 347	15125-15250B	15125-15250-B	212, 350
14136A-14274	14136A-14274	216, 347	15125-15251D	15125-15251D	212, 350
14136A-14274A	14136A-14274A	217, 347	15126-15245	15126-15245	212, 350
14136AA-14274	14136AA-14274	217, 347	15126-15251D	15126-15251D	212, 350
14136AA-14274A	14136AA-14274A	217, 347	152016	152016	98, 146
14136AA-14274-S	14136AA-14274-S	217, 348	15578-15523	15578-15523	205, 350
14136A-14274-S	14136A-14274-S	216, 347	15579X-15520	15579X-15520	206, 350
14136A-14275A	14136A-14275A	217, 347	15579X-15520RB	15579X-15520RB	206, 350
14136AA-14275A	14136AA-14275A	217, 348	15579X-15522A	15579X-15522A	206, 350
14136A-14276	14136A-14276	217, 347	15579X-15523	15579X-15523	206, 350
14136AA-14276	14136AA-14276	217, 348	15579X-15523RB	15579X-15523RB	206, 350
14136A-14277	14136A-14277	217, 347	15580-15520B	15580-15520-B	207, 350
14136AA-14277	14136AA-14277	217, 348	15580-15523	15580-15523	207, 351
14136A-14282	14136A-14282	217, 347	15590-15520	15590-15520	207, 351
14136AA-14282	14136AA-14282	217, 348	15590-15520B	15590-15520-B	207, 351
14136A-14283	14136A-14283	217, 347	15590-15523	15590-15523	207, 351
14136AA-14283	14136AA-14283	217, 348	1562	1562	83
14136A-14284	14136A-14284	217, 347	1562-C	1562C	83
14136AA-14284	14136AA-14284	217, 348	16131-16283	16131-16283	214, 351
14136A-14299	14136A-14299	217, 347	16137-16283	16137-16283	215, 351
14136AA-14299	14136AA-14299	217, 348	16137-16284	16137-16284	216, 351
14137A-14276	14137A-14276	215, 348	16143-16283	16143-16283	220, 351
14137A-14276D	14137A-14276D	215, 348	16143-16284	16143-16284	220, 351
14138A-14276	14138A-14276	215, 348	16150-16282	16150-16282	221, 351
14138A-14276D	14138A-14276D	215, 348	16150-16283	16150-16283	221, 351
14139-14276	14139-14276	218, 348	16150-16284	16150-16284	221, 351
14139-14276B	14139-14276-B	218, 348	16150-16284B	16150-16284-B	222, 351
14139-14276D	14139-14276D	218, 348	16151-16283	16151-16283	221, 351
14585-14525	14585-14525	215, 348	1625	1625	83
1505	1505	83	1625-T	1625T	83
15100-15245	15100-15245	205, 348	1697	1697	83
15100-15251D	15100-15251D	206, 348	1697-C	1697C	87
15101-15243	15101-15243	205, 348	17098-17244	17098-17244	204, 351
15101-15244	15101-15244	205, 348	17098-17245D	17098-17245D	204, 351
15101-15245	15101-15245	205, 348	17118-17244	17118-17244	209, 351
15101-15250	15101-15250	205, 348	17118-17244B	17118-17244-B	209, 351
15101-15250B	15101-15250-B	205, 349	17118-17245D	17118-17245D	209, 351
15101-15250X	15101-15250X	205, 349	17119-17244	17119-17244	210, 352
15101-15251D	15101-15251D	205, 349	17119-17244B	17119-17244-B	210, 352
15102-15245	15102-15245	205, 349	17119-17245D	17119-17245D	210, 352
15102-15251D	15102-15251D	205, 349	1751-1729X	1751-1729X	203, 328
15103-S-15243	15103-S-15243	206, 349	1752	1752	83
15103-S-15244	15103-S-15244	206, 349	1752-T	1752T	83
15103-15245	15103-15245	206, 349	1755-1729	1755-1729	202, 328
15103-S-15245	15103-S-15245	206, 349	1755-1729X	1755-1729X	202, 328
15103-S-15249	15103-S-15249	206, 349	17580-17520	17580-17520	199, 352
15103-S-15250	15103-S-15250	206, 349	1773	1773	83
15103-S-15250RB	15103-S-15250RB	206, 349	1774-1729X	1774-1729X	200, 328
15103-S-15250X	15103-S-15250X	206, 349	1775-1729	1775-1729	200, 328
15103-15251D	15103-15251D	207, 349	1775-1729X	1775-1729X	200, 328
15106-15245	15106-15245	207, 349	1778-1729X	1778-1729X	201, 328
15106-15251D	15106-15251D	207, 349	1779-1729	1779-1729	203, 328
15112-15245	15112-15245	208, 349	1779-1729X	1779-1729X	203, 328
15112-15251D	15112-15251D	208, 349	1780-1729	1780-1729	205, 328

NUMERICAL INDEX BY INDUSTRY NUMBER

Industry No	Timken No	Page No.	Industry No	Timken No	Page No.
1780-1729X	1780-1729X	205, 328	203-F	203F	55
1784A-1729X	1784A-1729X	201, 328	203-FF	203FF	55, 99
17883-17830	17883-17830	225, 352	203-FFA	203FFA	60
17884-17830	17884-17830	233, 352	203-FS	203FS	55, 99
17886-17830	17886-17830	230, 352	203-L	203L	55
17887-17830	17887-17830	235, 352	203-S	203S	55
17887-17831	17887-17831	235, 352	203-SS	203SS	56, 99
17888-17830	17888-17830	233, 352	203-SSL	203SSL	56
17888-17831	17888-17831	233, 352	203-RRAR10	203RRAG	59
18200-18337	18200-18337	240, 352	203-RRH10	203RRH	59
18587-18520	18587-18520	224, 352	203-RRAR10N2	203RRAC	59
18590-18520	18590-18520	226, 352	203-RR12	203RRAB	60
18685-18620	18685-18620	231, 352	203-FF5	203FFAG	59
18685-18620D	18685-18620D	231, 352	203-RRAR8	203RRAA	59
18690-18620	18690-18620	236, 352	204	204	56
18690-18620D	18690-18620D	236, 352	204-BAR	204BAR	60
1872	1872	83	204-BBAR	204BBAR	60
1872-T	1872T	83	204-BBE	204BBE	59
18780-18720	18780-18720	236, 352	204-F	204F	56, 99
18780-18721	18780-18721	236, 352	204-FF	204FF	56
18780-18723	18780-18723	236, 352	204-FGB	204FGB	59
18780-18724	18780-18724	236, 353	204-FREN	204FREN	59
18790-18720	18790-18720	240, 353	204-FRK	204FRK	59
18790-18724	18790-18724	240, 353	204-FVMN	204FVMN	59
19138-19283	19138-19283	218, 353	204-GGB	204GGB	60
19145D-19268	19145D-19268	220, 353	204-L	204L	56
19145D-19281	19145D-19281	220, 353	204-S	204S	56, 99
19145D-19283	19145D-19283	220, 353	204-SL	204SL	56
19150-19268	19150-19268	221, 353	204-SS	204SS	56, 99
19150-19268B	19150-19268-B	221, 353	204-SSL	204SSL	56
19150-19281	19150-19281	221, 353	204-TJN	204TJN	59
19150-19283	19150-19283	221, 353	204-TTM	204TTM	60
19150-19283B	19150-19283-B	221, 353	204-BBA4	204BBAG	60
1975-1932	1975-1932	202, 328	205	205BB	56
1985-1930	1985-1930	207, 328	205-F	205F	56
1985-1931	1985-1931	208, 328	205-FF	205FF	56, 99
1985-1931B	1985-1931-B	208, 328	205-L	205L	56
1985-1932	1985-1932	208, 328	205-NM	205NM	60
1986-1922	1986-1922	205, 328	205-RANA	205RANA	59
1986-1932	1986-1932	205, 328	205-RHN	205RHN	60
1987-1932	1987-1932	207, 328	205-RRAN	205RRAN	60
1988-1932	1988-1932	208, 328	205-RRB	205RRB	59
200	200AB	55	205-RRUN	205RRUN	59
200-C	200C	55	205-RVA	205RVA	60
200-CC	200CC	55, 98	205-RVBA	205RVBA	59
200-S	200S	55	205-S	205S	56, 99
200-SL	200SL	55	205-SL	205SL	56
200-SS	200SS	55	205-SS	205SS	56, 99
2005	2005	83	205-SSL	205SSL	56
2005-C	2005C	88	205-TNJ	205TNJ	60
2005-T	2005T	83	205-TNK	205TNK	60
2005-31	200531	83	205-TTB	205TTB	60
2005-35	200535	83	205-TTH	205TTH	60
2005-43	200543	83	205-VV	205VV	56, 99
201	201AB	55, 98	205-VVA	205VVA	60
201-CC	201CC	55, 98	205-VVH	205VVH	59
201-S	201S	55	206	206WB	56
201-SS	201SS	55	206-F	206F	56
202	202AG	55, 98	206-FF	206FF	56, 100
202-FF	202FF	55, 98	206-FFA	206FFA	61
202-FFB	202FFB	59	206-GGB	206GGB	61
202-FFLB	202FFLB	59	206-GGCE	206GGCE	61
202-RRE	202RRE	59	206-GGH	206GGH	60
202-S	202S	55, 98	206-L	206L	56
202-SS	202SS	55, 98	206-LOE	206LOE	61
202-CC1	202CCI	59	206-RRMN	206RRMN	60
202-CC16	202CCAG	59	206-RTQ	206RTQ	60
202-FFH8	202FFAG	59	206-S	206S	56, 100
203	203AB	55, 99	206-SL	206SL	56

NUMERICAL INDEX BY INDUSTRY NUMBER

Industry No	Timken No	Page No.	Industry No	Timken No	Page No.
206-SS	206SS	56, 100	213-SL	213SL	58
206-TTA	206TTA	61	213-SLV	213SLV	58
206-TTU	206TTU	61	2135	2135	83
206-VV	206VV	56, 100	214	214	58
206-1	2061	61	214-L	214L	58
206-L1	206L1	61	214-LB	214LB	61
2063-R	2063R	83	214-LH	214LH	62
2065	2065	83	214-SL	214SL	58
2065-C	2065C	88	214-SS	214SS	58
2065-T	2065T	83	215	215	58
2065-31	206531	83	216-SL	216SL	58
2066	2066	83	217-SL	217SL	58
207	207	56	217-SLE	217SLE	62
207-F	207F	56	218	218TB	58
207-FF	207FF	56	218-L	218L	58
207-L	207L	56	2255-18	225518	84
207-LO	207LO	56	2255-31	225531	84
207-S	207S	56	2256	2256	84
207-SL	207SL	56	22780-22720	22780-22720	230, 353
207-SLB	207SLB	61	23092-23256	23092-23256	203, 353
207-SLV	207SLV	56	23100-23256	23100-23256	206, 353
207-SS	207SS	57	23491-23420	23491-23420	213, 353
207-SSL	207SSL	57	23690-23620	23690-23620	217, 353
207-XLO	207XLO	61	2375-F	2375F	84
208	208	57	2473-2420	2473-2420	206, 329
208-F	208F	57	2473X-2420	2473X-2420	206, 329
208-FF	208FF	57	2474-2420	2474-2420	208, 329
208-L	208L	57	2475-2420	2475-2420	212, 329
208-LO	208LO	57	24780-24720	24780-24720	227, 353
208-S	208S	57	24780-24720D	24780-24720D	227, 353
208-SL	208SL	57	24780-24721	24780-24721	227, 353
208-SS	208SS	57	24781-24721	24781-24721	227, 354
208-SSL	208SSL	57	2503-1	25031	84
209	209BB	57	2505-T	2505T	84
209-D	209D	57	2505-14	250514	84
209-DD	209DD	57	2508	2508	84
209-L	209L	57	25570-25520	25570-25520	220, 354
209-S	209S	57	25570-25520D	25570-25520D	220, 354
209-SL	209SL	57	25572-25520	25572-25520	222, 354
209-SLV	209SLV	57	25572-25520D	25572-25520D	222, 354
209-SS	209SS	57, 100	25577-25520	25577-25520	230, 354
209-SSL	209SSL	57	25577-25520D	25577-25520D	230, 354
210	210	57	25578-25520	25578-25520	230, 354
210-CC	210CC	57	25578-25520D	25578-25520D	230, 354
210-L	210L	57	25580-25520	25580-25520	231, 354
210-S	210S	57	25580-25520D	25580-25520D	231, 354
210-SS	210SS	57	25581-25520	25581-25520	231, 354
210-SSL	210SSL	57	25581-25520D	25581-25520D	231, 354
21075-21212	21075-21212	200, 353	25582-25520	25582-25520	232, 354
211	211TB	57	25582-25520D	25582-25520D	232, 354
211-B	211B	61	2558-2523	2558-2523	210, 329
211-CC	211CC	57	2558-2523D	2558-2523D	210, 329
211-FFLE	211FFLE	61	25583-25547RB	25583-25547RB	233, 354
211-L	211L	57	25584-25520	25584-25520	234, 354
211-S	211S	57	25584-25520D	25584-25520D	234, 354
211-SL	211SL	57	25590-25519	25590-25519	235, 354
211-SS	211SS	57	25590-25520	25590-25520	236, 354
211-SSL	211SSL	57	25590-25520D	25590-25520D	236, 354
212	212	57	25590-25521	25590-25521	236, 354
212-ASLB	212ASLB	61	25590-25522	25590-25522	236, 355
212-CC	212CC	58	25590-25523	25590-25523	236, 355
212-L	212L	58	25590-25526	25590-25526	236, 355
212-S	212S	58	25592-25520	25592-25520	236, 355
212-SL	212SL	58	25592-25520D	25592-25520D	236, 355
212-SLV	212SLV	58	2578-2523	2578-2523	208, 329
212-SS	212SS	58	2578-2523D	2578-2523D	208, 329
213	213TB	58	2580-2520	2580-2520	212, 329
213-L	213L	58	2580-2523	2580-2523	212, 329
213-S	213S	58	2580-2523B	2580-2523-B	212, 329

NUMERICAL INDEX BY INDUSTRY NUMBER

Industry No	Timken No	Page No.	Industry No	Timken No	Page No.
2580-2523D	2580-2523D	212, 329	2776-2729X	2776-2729X	222, 330
2580-2523-S	2580-2523-S	212, 329	2777-2720	2777-2720	222, 331
2581-2523	2581-2523	214, 329	2777-2729X	2777-2729X	223, 331
2581-2523D	2581-2523D	214, 329	2780-2720	2780-2720	219, 331
2582-2520	2582-2520	212, 329	2780-2729X	2780-2729X	219, 331
2582-2523D	2582-2523D	213, 329	2783-2729X	2783-2729X	213, 331
2585-2523	2585-2523	215, 330	2785-2720	2785-2720	215, 331
2585-2523B	2585-2523-B	215, 330	2785W-2729X	2785W-2729X	215, 331
2585-2523D	2585-2523D	215, 330	2785-2729X	2785-2729X	215, 331
25877-25820	25877-25820	216, 355	2786-2720	2786-2720	216, 331
25877-25821	25877-25821	216, 355	2786-2729X	2786-2729X	216, 331
25878-25821	25878-25821	216, 355	27880-27820	27880-27820	222, 356
25880-25821	25880-25821	219, 355	27880-27820D	27880-27820D	222, 356
26112-26283	26112-26283	207, 355	27881-27820	27881-27820	222, 357
26112-26283-S	26112-26283-S	207, 355	27881-27820D	27881-27820D	222, 357
26118-26283	26118-26283	209, 355	2788-2720	2788-2720	222, 331
26118-26334	26118-26334	209, 355	2788A-2720	2788A-2720	222, 331
2681-2620	2681-2620	207, 330	2788A-2729X	2788A-2729X	222, 331
2682-2620	2682-2620	207, 330	2788W-2729X	2788W-2729X	222, 331
2683-2620	2683-2620	203, 330	2788-2729X	2788-2729X	222, 331
2684-2620	2684-2620	202, 330	2789-2720	2789-2720	224, 331
2684-2631	2684-2631	202, 330	2789-2729X	2789-2729X	224, 331
2685-2620	2685-2620	203, 330	2790-2720	2790-2720	215, 331
2687-2620	2687-2620	206, 330	2790-2729X	2790-2729X	215, 331
2687-2631	2687-2631	206, 330	2791A-2729X	2791A-2729X	219, 331
26877-26822	26877-26822	220, 355	2793-2720	2793-2720	216, 331
26878-26822	26878-26822	222, 355	2793-2729	2793-2729	216, 331
26880-26822	26880-26822	224, 355	2793-2729X	2793-2729X	216, 332
26881-26822	26881-26822	224, 355	2793-2735X	2793-2735X	216, 332
26882-26820	26882-26820	228, 355	2794-2720	2794-2720	219, 332
26882T-26820	26882T-26820	227, 356	2794-2729X	2794-2729X	219, 332
26882T-26821	26882T-26821	227, 356	2796-2720	2796-2720	216, 332
26882-26822	26882-26822	228, 355	2796-2729X	2796-2729X	216, 332
26882-26822A	26882-26822A	228, 355	2799W-2729X	2799W-2729X	222, 332
26882-26822B	26882-26822-B	228, 355	28150-28300	28150-28300	222, 357
26882T-26822	26882T-26822	227, 356	28150-28315	28150-28315	222, 357
26882T-26822A	26882T-26822A	227, 356	28150-28318D	28150-28318D	222, 357
26882-26823	26882-26823	228, 355	28156-28300	28156-28300	225, 357
26882T-26823	26882T-26823	227, 356	28156-28300X	28156-28300X	225, 357
26882-26824	26882-26824	228, 356	28156-28315	28156-28315	225, 357
26882T-26824	26882T-26824	227, 356	28156-28317	28156-28317	225, 357
26882T-26830	26882T-26830	227, 356	28158-28300	28158-28300	225, 357
26882T-26831	26882T-26831	227, 356	28158-28318D	28158-28318D	225, 357
2688-2620	2688-2620	207, 330	28576-28527RB	28576-28527RB	234, 357
2688-2631	2688-2631	207, 330	28579-28520	28579-28520	238, 357
26883-26822	26883-26822	219, 356	28579-28521	28579-28521	238, 357
26884-26822	26884-26822	230, 356	28579-28527RB	28579-28527RB	238, 357
26884-26822B	26884-26822-B	230, 356	28580-28521	28580-28521	241, 357
26885-26822	26885-26822	227, 356	28580A-28521	28580A-28521	241, 357
26886-26822	26886-26822	230, 356	28580A-28527RB	28580A-28527RB	241, 357
2689-2620	2689-2620	208, 330	28580-28527RB	28580-28527RB	241, 357
2689-2631	2689-2631	208, 330	28584-28521	28584-28521	244, 357
2690-2620	2690-2620	209, 330	28584-28527RB	28584-28527RB	244, 358
2690-2631	2690-2631	209, 330	28678-28622	28678-28622	241, 358
2690-2631B	2690-2631-B	209, 330	28680-28622	28680-28622	248, 358
2691-2620	2691-2620	209, 330	28682-28622	28682-28622	249, 358
2755	2755	84	28682-28622B	28682-28622-B	249, 358
2756	2756	84	2878-2820	2878-2820	216, 332
2756-T	2756T	84	2879-2820	2879-2820	212, 332
2759	2759	84	28880-28820	28880-28820	305, 358
2759-28	275928	84	28980-28920	28980-28920	251, 358
27684-27620	27684-27620	265, 356	28980-28921	28980-28921	251, 358
27687-27620	27687-27620	270, 356	28985-28919	28985-28919	252, 358
27689-27620	27689-27620	272, 356	28985-28920	28985-28920	252, 358
27690-27620	27690-27620	272, 356	28985-28921	28985-28921	252, 358
27690-27620B	27690-27620-B	272, 356	28985-28921D	28985-28921D	252, 358
27691-27620	27691-27620	272, 356	28990-28920	28990-28920	254, 358
2775-2729X	2775-2729X	218, 330	28990-28921D	28990-28921D	254, 358
2776-2720	2776-2720	222, 330	28995-28920	28995-28920	254, 358

NUMERICAL INDEX BY INDUSTRY NUMBER

Industry No	Timken No	Page No.	Industry No	Timken No	Page No.
28995-28921D	28995-28921D	254, 358	30308	30308	226, 361
29580-29520	29580-29520	251, 358	30308M	30308M	226, 361
29582-29520	29582-29520	251, 358	30309	30309	235, 361
29585-29520	29585-29520	254, 358	30309M	30309M	235, 361
29585-29521	29585-29521	254, 358	30310	30310	239, 361
29585-29522	29585-29522	254, 358	30311	30311	247, 361
29586-29520	29586-29520	254, 358	30312	30312	252, 361
29590-29520	29590-29520	257, 359	30313	30313	256, 361
29675-29620	29675-29620	260, 359	30314	30314	262, 361
29675-29620B	29675-29620-B	260, 359	30315M	30315M	265, 362
29675-29622D	29675-29622D	260, 359	30316M	30316M	269, 362
29675-29630	29675-29630	260, 359	30317M	30317M	273, 362
29680-29620	29680-29620	262, 359	304	304WB	63
29680-29622D	29680-29622D	262, 359	304-D	304D	63
29685-29620	29685-29620	263, 359	304-DD	304DD	63
29685-29622D	29685-29622D	263, 359	304-L	304L	63
29688-29620	29688-29620	264, 359	304-S	304S	63
29688-29620B	29688-29620-B	264, 359	304-SL	304SL	63
29688-29622D	29688-29622D	264, 359	304-SS	304SS	63
2984-2924	2984-2924	236, 332	304-SSL	304SSL	63
301-SS	301SS	63	305	305AG	63
302	302AG	63	305-D	305D	63
302-CC	302CC	63, 98	305-DD	305DD	63, 99
302-S	302S	63	305-L	305L	64
302-SS	302SS	63	305-S	305S	64, 100
30203	30203	199, 359	305-SL	305SL	64
30204	30204	201, 359	305-SLV	305SLV	64
30204M	30204M	201, 359	305-SS	305SS	64, 100
30205	30205	203, 359	305-SSL	305SSL	64
30205M	30205M	203, 359	305-65	30565	66
30206	30206	209, 360	306	306TB	64, 100
30206M	30206M	209, 360	306-F	306F	64, 100
30207	30207	218, 360	306-FF	306FF	64, 100
30207M	30207M	218, 360	306-FFLE	306FFLE	66
30208	30208	225, 360	306-L	306L	64
30208M	30208M	225, 360	306-LO	306LO	64
30209M	30209M	234, 360	306-S	306S	64, 100
30210	30210	239, 360	306-SL	306SL	64
30210M	30210M	239, 360	306-SLV	306SLV	64
30211	30211	247, 360	306-SLVB	306SLVB	66
30211M	30211M	247, 360	306-SS	306SS	64
30212M	30212M	251, 360	306-SSL	306SSL	64
30213M	30213M	256, 360	306-VV	306VV	64, 100
30214	30214	261, 360	306-VVH	306VVH	66, 100
30215M	30215M	264, 360	306-VVL	306VVL	64, 100
30216M	30216M	269, 360	307	307TB	64
30217M	30217M	272, 360	307-F	307F	64
30218M	30218M	276, 360	307-FF	307FF	64
30219M	30219M	278, 360	307-L	307L	64
30220M	30220M	280, 360	307-S	307S	64
30221M	30221M	282, 360	307-SL	307SL	64
30222M	30222M	283, 360	307-SS	307SS	64
30224M	30224M	285, 361	307-SSL	307SSL	64
30226M	30226M	288, 361	307-XD	307XD	66
30228M	30228M	291, 361	307-L1	307LI	66
30230M	30230M	292, 361	307-LO1	307LOI	66
303	303BB	63	308	308WB	64
303-CC	303CC	63	308-FF	308FF	64
303-S	303S	63, 99	308-L	308L	64
303-SS	303SS	63	308-LH	308LH	66
30302	30302	199, 361	308-LOE	308LOE	66
30303	30303	200, 361	308-S	308S	64
30304	30304	201, 361	308-SL	308SL	64
30305	30305	204, 361	308-SS	308SS	64
30305M	30305M	204, 361	308-SSL	308SSL	64
30306	30306	209, 361	308-L1	308LI	66
30306M	30306M	209, 361	308-L4	308LTB	66
30307	30307	219, 361	309	309	64
30307M	30307M	219, 361	309-DD	309DD	64

NUMERICAL INDEX BY INDUSTRY NUMBER

Industry No	Timken No	Page No.	Industry No	Timken No	Page No.
309-L	309L	65	32019X	32019X	278, 364
309-S	309S	65	32020X	32020X	280, 364
309-SL	309SL	65	32021X	32021X	282, 364
309-SS	309SS	65	32022X	32022X	283, 364
309-XD	309XD	66	32024XM	32024XM	285, 364
310	310	65	32026XM	32026XM	288, 364
310-B	310B	66	32028XM	32028XM	291, 364
310-L	310L	65	32030XM	32030XM	292, 364
310-S	310SB	65	32032XM	32032XM	293, 364
310-SL	310SL	65	32034XM	32034XM	295, 364
310-SS	310SS	65	32036XM	32036XM	297, 364
311	311TB	65	32038XM	32038XM	298, 364
311-L	311L	65	32040XM	32040XM	299, 364
311-SL	311SL	65	32044XM	32044XM	302, 364
311-SS	311SS	65	32204	32204	201, 364
312	312TB	65	32205	32205	204, 364
312-L	312L	65	32205B	32205B	204, 364
312-LE	312LE	66	32206	32206	209, 364
312-SS	312SS	65	32206B	32206B	210, 364
312-L1	312LI	66	32206M	32206M	210, 364
313	313WB	65	32207	32207	219, 364
313-A	313A	66	32207M	32207M	219, 365
313-SS	313SS	65	32208	32208	225, 365
31308	31308	226, 362	32208M	32208M	225, 365
31309M	31309M	235, 362	32209M	32209M	234, 365
31310M	31310M	239, 362	32210	32210	239, 365
31311M	31311M	247, 362	32210M	32210M	239, 365
31312M	31312M	252, 362	32211	32211	247, 365
31313M	31313M	256, 362	32211M	32211M	247, 365
31314M	31314M	262, 362	32212M	32212M	252, 365
31315M	31315M	265, 362	32213	32213	256, 365
31318M	31318M	276, 362	32213M	32213M	256, 365
314	314TB	65	32214	32214	262, 365
314-SL	314SL	65	32215	32215	265, 365
315	315BB	65	32216	32216	269, 365
31590-31520	31590-31520	215, 362	32217	32217	273, 365
31593-31520	31593-31520	218, 362	32217M	32217M	273, 365
31594-31520	31594-31520	217, 362	32218M	32218M	276, 365
31594-31520B	31594-31520-B	218, 362	32219	32219	278, 365
31594-31521	31594-31521	218, 362	32219M	32219M	278, 365
31597-31520	31597-31520	220, 362	32220M	32220M	280, 365
31597-31520B	31597-31520-B	220, 362	32221	32221	282, 365
3188-3120	3188-3120	213, 332	32222M	32222M	284, 365
3192-3120	3192-3120	209, 332	32224M	32224M	285, 366
3193-3120	3193-3120	213, 332	32226M	32226M	288, 366
3196-3120	3196-3120	215, 332	32304	32304	201, 366
3196-3120B	3196-3120-B	215, 332	32304M	32304M	201, 366
3198-3120	3198-3120	209, 332	32305	32305	204, 366
3198-3120B	3198-3120-B	209, 332	32306	32306	210, 366
3198-3130	3198-3130	209, 332	32307	32307	219, 366
32004X	32004X	201, 362	32308	32308	226, 366
32005X	32005X	203, 363	32308B	32308B	226, 366
32006X	32006X	209, 363	32309	32309	235, 366
32007X	32007X	219, 363	32309BM	32309BM	235, 366
32007XM	32007XM	219, 363	32309M	32309M	235, 366
32008X	32008X	225, 363	32310	32310	240, 366
32008XM	32008XM	225, 363	32310B	32310B	240, 366
32009X	32009X	234, 363	32311BM	32311BM	248, 366
32009XM	32009XM	234, 363	32311M	32311M	248, 366
32010X	32010X	239, 363	32312	32312	252, 366
32011X	32011X	247, 363	32313M	32313M	256, 366
32011XM	32011XM	247, 363	32314M	32314M	262, 366
32012X	32012X	251, 363	32316M	32316M	269, 366
32013X	32013X	256, 363	32924M	32924M	285, 366
32014X	32014X	261, 363	32928M	32928M	291, 366
32015X	32015X	264, 363	32930M	32930M	292, 367
32016X	32016X	269, 363	32934M	32934M	295, 367
32017X	32017X	272, 363	32936M	32936M	297, 367
32018X	32018X	276, 364	32940M	32940M	299, 367

NUMERICAL INDEX BY INDUSTRY NUMBER

Industry No	Timken No	Page No.	Industry No	Timken No	Page No.
32944M	32944M	302, 367	3382T-3329	3382T-3329	225, 333
33010	33010	239, 367	3382-3331	3382-3331	224, 333
33011	33011	247, 367	3382T-3331	3382T-3331	225, 333
33012	33012	252, 367	3382-3339	3382-3339	224, 333
33013	33013	256, 367	3382T-3339	3382T-3339	225, 333
33014M	33014M	262, 367	3383-3320	3383-3320	229, 333
33015	33015	264, 367	3383-3321	3383-3321	229, 333
33017	33017	273, 367	3383-3324	3383-3324	229, 333
33018	33018	276, 367	3383-3325	3383-3325	229, 333
33019	33019	278, 367	3383-3328	3383-3328	229, 333
33020	33020	280, 367	3383-3329	3383-3329	229, 333
33021M	33021M	282, 367	3383-3331	3383-3331	229, 333
33022	33022	284, 367	3383-3339	3383-3339	229, 333
33108	33108	226, 367	3386-3320	3386-3320	224, 333
33109	33109	235, 367	33880-33821	33880-33821	223, 370
33110	33110	239, 367	33880-33821D	33880-33821D	223, 370
33111	33111	248, 367	33885-33821	33885-33821	232, 370
33112	33112	252, 367	33885-33821D	33885-33821D	232, 370
33113	33113	256, 368	33889-33821	33889-33821	242, 370
33114	33114	262, 368	33889-33821D	33889-33821D	242, 370
33115	33115	265, 368	33890-33821	33890-33821	244, 370
33116	33116	269, 368	33890-33821D	33890-33821D	244, 370
33116M	33116M	269, 368	33891-33821	33891-33821	244, 370
33117	33117	273, 368	33891-33821D	33891-33821D	244, 370
33118	33118	276, 368	33895-33820B	33895-33820-B	245, 370
33118M	33118M	276, 368	33895-33821	33895-33821	245, 370
33205	33205	204, 368	33895-33821D	33895-33821D	245, 370
33206	33206	210, 368	33895-33822	33895-33822	245, 370
33207	33207	219, 368	339-332	339-332	219, 306
33208	33208	226, 368	342-332	342-332	227, 306
33209	33209	235, 368	342A-332	342A-332	228, 306
33210	33210	240, 368	342A-332A	342A-332A	228, 306
33211	33211	248, 368	342A-332US	342A-332US	228, 306
33212	33212	252, 368	342-S-332B	342-S-332-B	230, 306
33213	33213	256, 368	342A-3320	342A-3320	228, 306
33213M	33213M	256, 368	342-S-3320	342-S-3320	230, 306
33214	33214	262, 368	342A-333	342A-333	228, 306
33215	33215	265, 369	342A-333A	342A-333A	228, 306
33216	33216	269, 369	34274-34478	34274-34478	261, 370
33217	33217	273, 369	34274-34478B	34274-34478-B	261, 370
33225-33462	33225-33462	250, 369	34274-34478D	34274-34478D	261, 370
33225-33462D	33225-33462D	250, 369	34274-34478DC	34274-34478DC	261, 370
33251-33462	33251-33462	255, 369	34274-34492A	34274-34492A	261, 370
33262-33461	33262-33461	257, 369	34274-34500	34274-34500	261, 370
33262-33461X	33262-33461X	258, 369	34274W-34500	34274W-34500	261, 370
33262-33462	33262-33462	258, 369	34275-34500	34275-34500	261, 370
33262-33472	33262-33472	258, 369	34275HV-34500	34275HV-34500	261, 371
33262-33475	33262-33475	258, 369	34294-34500	34294-34500	264, 371
33269-33462	33269-33462	259, 369	34299X-34500	34299X-34500	265, 371
33269-33462D	33269-33462D	259, 369	34300-34478	34300-34478	265, 371
33275-33462	33275-33462	260, 369	34300-34478D	34300-34478D	265, 371
33275-33462D	33275-33462D	260, 369	34300-34478DC	34300-34478DC	265, 371
33281-33462	33281-33462	262, 369	34300-34500	34300-34500	265, 371
33281-33462D	33281-33462D	262, 369	34300A-34500	34300A-34500	265, 371
33287-33462	33287-33462	263, 369	34301-34478	34301-34478	265, 371
33287-33462B	33287-33462-B	263, 369	34301-34478D	34301-34478D	265, 371
33287-33462D	33287-33462D	263, 369	34301-34478DC	34301-34478DC	265, 371
33287-33472	33287-33472	263, 369	34301-34500	34301-34500	265, 371
336-332	336-332	227, 306	34304-34500	34304-34500	268, 371
3379-3320	3379-3320	218, 332	34306-34478	34306-34478	268, 371
3381-3320	3381-3320	223, 332	34306-34478B	34306-34478-B	268, 371
3382-3320	3382-3320	224, 332	34306-34478D	34306-34478D	268, 371
3382T-3320	3382T-3320	224, 333	34306-34478DC	34306-34478DC	268, 371
3382-3321	3382-3321	224, 332	34306-34500	34306-34500	268, 371
3382T-3321	3382T-3321	224, 333	34306W-34500	34306W-34500	268, 371
3382T-3324	3382T-3324	224, 333	34307-34500	34307-34500	268, 371
3382T-3325	3382T-3325	224, 333	344-332	344-332	225, 306
3382-3328	3382-3328	224, 333	344A-332	344A-332	225, 306
3382T-3328	3382T-3328	224, 333	344A-332B	344A-332-B	225, 307

NUMERICAL INDEX BY INDUSTRY NUMBER

Industry No	Timken No	Page No.	Industry No	Timken No	Page No.
3476-3420	3476-3420	213, 333	369A-363D	369A-363D	237, 309
3478-3420	3478-3420	218, 333	369-S-363D	369-S-363D	237, 309
3479-3420	3479-3420	220, 334	36990-36920	36990-36920	296, 372
3490-3420	3490-3420	223, 334	37-SS	37SS	51
35-SS	35SS	51	370A-362A	370A-362A	241, 309
350-352	350-352	225, 307	370A-363D	370A-363D	241, 309
350A-354A	350A-354A	225, 307	37425-37625	37425-37625	282, 372
35176-35326	35176-35326	231, 371	37431-37625	37431-37625	283, 372
355X-352	355X-352	231, 307	37431A-37625	37431A-37625	283, 372
355X-352A	355X-352A	231, 307	375-374	375-374	241, 309
355X-352X	355X-352X	231, 307	3767-3720	3767-3720	245, 334
355X-3520	355X-3520	231, 307	3767-3729D	3767-3729D	245, 335
355X-3525	355X-3525	231, 307	3775-3720	3775-3720	242, 335
355X-353	355X-353	231, 307	3776-3720	3776-3720	234, 335
355-354A	355-354A	231, 307	3776-3729D	3776-3729D	234, 335
355A-354A	355A-354A	231, 307	3777-3720	3777-3720	237, 335
355X-354	355X-354	231, 307	3777-3729D	3777-3729D	237, 335
355X-354A	355X-354A	231, 307	3778-3720	3778-3720	237, 335
355X-354X	355X-354X	231, 307	3778-3729D	3778-3729D	237, 335
3576-3525	3576-3525	229, 334	3779-3720	3779-3720	237, 335
3577-3525	3577-3525	229, 334	3779-3729D	3779-3729D	237, 335
3578-3520	3578-3520	233, 334	3780-3720	3780-3720	242, 335
3578A-3520	3578A-3520	233, 334	3780-3720B	3780-3720-B	242, 335
3578A-3520V	3578A-3520V	233, 334	3780-3726	3780-3726	242, 335
3578A-3521	3578A-3521	233, 334	3780-3729D	3780-3729D	242, 335
3578-3525	3578-3525	233, 334	3780-3730	3780-3730	242, 335
3578A-3525	3578A-3525	233, 334	3780-3732	3780-3732	242, 335
3578-3525B	3578-3525-B	233, 334	3781-3720	3781-3720	238, 335
3578-3526	3578-3526	233, 334	3781-3729D	3781-3729D	238, 335
3578A-3526	3578A-3526	233, 334	3782-3720	3782-3720	233, 335
3578A-3530	3578A-3530	233, 334	3782-3729D	3782-3729D	233, 335
3579-3525	3579-3525	230, 334	3784-3720	3784-3720	243, 335
3580-3525	3580-3525	223, 334	3784-3729D	3784-3729D	243, 335
358-354A	358-354A	234, 308	3795-3720	3795-3720	242, 336
3585-3525	3585-3525	229, 334	3795-3720V	3795-3720V	242, 336
3586-3525	3586-3525	235, 334	3795-3726	3795-3726	242, 336
3586-3525B	3586-3525-B	235, 334	3795-3727	3795-3727	243, 336
359-S-352	359-S-352	236, 308	3795-3730	3795-3730	243, 336
359-S-354A	359-S-354A	236, 308	3795-3731	3795-3731	243, 336
36	36BB	51	3795-3732	3795-3732	243, 336
36-S	36S	51	3795-3733	3795-3733	243, 336
36-SS	36SS	51	3795-3735	3795-3735	243, 336
365-362A	365-362A	239, 308	38	38BB	51
365A-362A	365A-362A	227, 308	38-CC	38CC	51
365-S-362A	365-S-362A	238, 308	38-S	38S	51
365A-363D	365A-363D	227, 308	38-SS	38SS	51
365-363D	365-363D	239, 308	385-382A	385-382A	247, 309
365-S-363D	365-S-363D	238, 308	385A-382A	385A-382A	240, 309
3659-3620	3659-3620	203, 334	385AX-382A	385AX-382A	240, 309
366-362A	366-362A	239, 308	385X-382A	385X-382A	247, 309
366-363D	366-363D	239, 308	385A-384D	385A-384D	240, 309
36690-36620	36690-36620	291, 371	385A-384ED	385A-384ED	240, 309
36690-36620D	36690-36620D	291, 372	385AX-384D	385AX-384D	240, 309
36691-36620	36691-36620	291, 372	385AX-384ED	385AX-384ED	240, 309
36691-36620D	36691-36620D	291, 372	385-384D	385-384D	247, 309
367-362A	367-362A	234, 308	385-384ED	385-384ED	247, 309
367-363D	367-363D	234, 308	385X-384D	385X-384D	247, 309
368-362A	368-362A	241, 308	385X-384ED	385X-384ED	247, 309
368A-362	368A-362	241, 308	386A-382A	386A-382A	237, 309
368A-362A	368A-362A	241, 308	386A-384D	386A-384D	237, 309
368A-362B	368A-362-B	241, 308	386A-384ED	386A-384ED	237, 310
368-S-362A	368-S-362A	244, 308	3872-3820	3872-3820	218, 336
368-S-362B	368-S-362-B	244, 308	387A-382	387A-382	249, 310
368A-363	368A-363	241, 308	387-382A	387-382A	249, 310
368A-363D	368A-363D	241, 308	387A-382A	387A-382A	249, 310
368-363D	368-363D	241, 308	387A-382B	387A-382-B	249, 310
368-S-363D	368-S-363D	244, 309	387A-382-S	387A-382-S	249, 310
369A-362A	369A-362A	237, 309	387AS-382A	387AS-382A	249, 310
369-S-362A	369-S-362A	237, 309	387-S-382A	387-S-382A	249, 310

NUMERICAL INDEX BY INDUSTRY NUMBER

Industry No	Timken No	Page No.	Industry No	Timken No	Page No.
387A-383A	387A-383A	249, 310	398-394D	398-394D	241, 312
387A-384D	387A-384D	249, 310	3984-3920	3984-3920	257, 337
387A-384ED	387A-384ED	249, 310	3984-3925	3984-3925	257, 337
387AS-384D	387AS-384D	249, 310	3984-3926	3984-3926	257, 337
387AS-384ED	387AS-384ED	249, 310	3992-3920	3992-3920	257, 337
387-384D	387-384D	249, 310	3992-3925	3992-3925	257, 337
387-384ED	387-384ED	249, 310	3992-3926	3992-3926	257, 337
387-S-384D	387-S-384D	249, 310	399A-394A	399A-394A	259, 312
387-S-384ED	387-S-384ED	249, 310	399A-394D	399A-394D	259, 312
3875-3820	3875-3820	223, 336	399AS-394A	399AS-394A	259, 312
3876-3820	3876-3820	223, 336	399AS-394D	399AS-394D	259, 312
3877-3820	3877-3820	229, 336	399D-394A	399D-394A	254, 312
3877-3820B	3877-3820-B	229, 336	399D-394AS	399D-394AS	254, 312
3877-3821	3877-3821	229, 336	3994-3920	3994-3920	257, 337
3878-3820	3878-3820	220, 336	3994-3925	3994-3925	257, 337
3879-3820	3879-3820	226, 336	3994-3926	3994-3926	257, 337
3880-3820	3880-3820	229, 336	40-MPB	40MPB	179
388A-382A	388A-382A	251, 310	40-MS	40MS	184
388A-382B	388A-382-B	251, 310	40-MST	40MST	187
388A-384D	388A-384D	251, 310	40-MSTR	40MSTR	188
388A-384ED	388A-384ED	251, 310	405	405	67
389-382A	389-382A	248, 310	406	406	67
389A-382A	389A-382A	245, 311	408	408	67
389A-384D	389A-384D	245, 311	409	409	67
389A-384ED	389A-384ED	245, 311	410	410	67
389-384D	389-384D	248, 311	41106-41286	41106-41286	207, 373
389-384ED	389-384ED	248, 311	41125-41286	41125-41286	208, 373
39	39BB	51	41126-41286	41126-41286	208, 373
39-SS	39SS	51	415-414A	415-414A	223, 312
390-394A	390-394A	249, 311	416-414A	416-414A	210, 312
390A-394A	390A-394A	254, 311	417-414A	417-414A	218, 312
390A-394AB	390A-394AB	254, 311	418-414	418-414	223, 312
390A-394AS	390A-394AS	254, 311	418-414A	418-414A	223, 312
390A-394D	390A-394D	254, 311	419-414	419-414	228, 312
390-394D	390-394D	249, 311	419-414A	419-414A	228, 312
39236-39412	39236-39412	251, 372	420-414	420-414	226, 312
392-394A	392-394A	253, 311	420-414A	420-414A	226, 312
392-394D	392-394D	253, 311	421-414A	421-414A	219, 312
39250-39412	39250-39412	254, 372	422-414A	422-414A	224, 313
395-394A	395-394A	254, 311	42346-42584	42346-42584	274, 373
395A-394A	395A-394A	257, 311	42346-42587D	42346-42587D	275, 373
395-394AB	395-394AB	254, 311	42350-42584	42350-42584	275, 373
395A-394D	395A-394D	257, 311	42350-42587D	42350-42587D	275, 373
395CS-394CS	395CS-394CS	257, 311	42362-42587	42362-42587	277, 373
395-394D	395-394D	254, 311	42368-42584	42368-42584	277, 373
395-S-394A	395-S-394A	257, 311	42368-42587D	42368-42587D	277, 373
395-S-394AB	395-S-394AB	257, 311	42375-42584	42375-42584	278, 373
395-S-394D	395-S-394D	257, 311	42375-42587D	42375-42587D	278, 373
39573-39520	39573-39520	242, 372	42376-42587	42376-42587	278, 373
39575-39520	39575-39520	242, 372	42381-42584	42381-42584	279, 373
39578-39520	39578-39520	245, 372	42381-42587B	42381-42587-B	279, 373
39580-39520	39580-39520	250, 372	42381-42587D	42381-42587D	279, 373
39581-39520	39581-39520	250, 372	42687-42620	42687-42620	266, 373
39585-39520	39585-39520	255, 372	42688-42620	42688-42620	266, 373
39586-39520	39586-39520	256, 372	42690-42620	42690-42620	268, 373
39590-39520	39590-39520	258, 372	43112-43312	43112-43312	208, 373
39590-39520B	39590-39520-B	258, 372	43112-43319D	43112-43319D	208, 373
39590-39521	39590-39521	258, 372	43112-43319DC	43112-43319DC	208, 373
39591-39520	39591-39520	258, 372	43125-43312	43125-43312	212, 374
396-394A	396-394A	239, 312	43125-43319D	43125-43319D	212, 374
396-394D	396-394D	239, 312	43125-43319DC	43125-43319DC	212, 374
397-394A	397-394A	251, 312	43131-43312	43131-43312	214, 374
397-394D	397-394D	251, 312	43131-43319D	43131-43319D	214, 374
3975-3920	3975-3920	242, 336	43131-43319DC	43131-43319DC	214, 374
3977-3920	3977-3920	252, 336	43132-43312	43132-43312	214, 374
3979-3920	3979-3920	250, 336	43132-43319D	43132-43319D	214, 374
3980-3920	3980-3920	252, 336	43132-43319DC	43132-43319DC	214, 374
3982-3920	3982-3920	255, 337	436-432	436-432	236, 313
398-394A	398-394A	240, 312	436-432B	436-432-B	236, 313

NUMERICAL INDEX BY INDUSTRY NUMBER

Industry No	Timken No	Page No.	Industry No	Timken No	Page No.
436-432D	436-432D	236, 313	47-MSTR	47MSTR	188
438-432	438-432	232, 313	47487-47420	47487-47420	260, 376
438-432A	438-432A	233, 313	47487-47420A	47487-47420A	260, 376
438-432B	438-432-B	232, 313	47490-47420	47490-47420	262, 376
438-432D	438-432D	233, 313	475-472	475-472	247, 314
4388-4335	4388-4335	229, 337	475-472D	475-472D	248, 314
4395-4335	4395-4335	230, 337	476-472	476-472	252, 314
440-432	440-432	223, 313	476-472D	476-472D	252, 314
440-432D	440-432D	223, 313	47675-47623A	47675-47623A	262, 376
44131-44348	44131-44348	214, 374	47678-47620	47678-47620	266, 376
44131-44363D	44131-44363D	214, 374	47678-47623A	47678-47623A	266, 376
44143-44348	44143-44348	220, 374	47679-47620	47679-47620	266, 376
44143-44363D	44143-44363D	220, 374	47679-47623A	47679-47623A	266, 376
44150-44348	44150-44348	222, 374	47679W-47623A	47679W-47623A	266, 376
44150-44363D	44150-44363D	222, 374	47680-47620	47680-47620	266, 376
44158-44348	44158-44348	224, 374	47680-47623A	47680-47623A	266, 376
44158-44363D	44158-44363D	224, 374	47681-47620	47681-47620	270, 376
44162-44348	44162-44348	227, 374	47681-47623A	47681-47623A	270, 376
44162-44363D	44162-44363D	227, 374	47685-47623A	47685-47623A	270, 376
449-432	449-432	218, 313	47686-47620	47686-47620	270, 376
449-432D	449-432D	218, 313	47686-47620A	47686-47620A	270, 376
450900D-451212	450900D-451212	293, 402	47686-47623A	47686-47623A	270, 376
45280-45220	45280-45220	233, 375	47687-47620	47687-47620	270, 376
45282-45220	45282-45220	237, 375	47687-47623A	47687-47623A	270, 376
45284-45220	45284-45220	243, 375	47688-47620	47688-47620	272, 376
45285-45220	45285-45220	243, 375	47688-47623A	47688-47623A	272, 376
45285A-45220	45285A-45220	243, 375	477-472	477-472	254, 314
45287-45220	45287-45220	245, 375	477-472D	477-472D	255, 314
45289-45220	45289-45220	250, 375	478-472	478-472	256, 314
45290-45220	45290-45220	250, 375	47890-47820	47890-47820	277, 376
45291-45220	45291-45220	250, 375	47896-47820	47896-47820	278, 377
45291-45221	45291-45221	250, 375	480-472	480-472	259, 314
455-452D	455-452D	242, 313	480-472D	480-472D	259, 314
455-S-452D	455-S-452D	242, 313	48190-48120	48190-48120	282, 377
455-S-453X	455-S-453X	242, 313	482-472	482-472	260, 314
455-453X	455-453X	242, 313	482-472A	482-472A	260, 314
456-452D	456-452D	245, 313	482-472B	482-472-B	260, 315
456-453X	456-453X	245, 313	482-472D	482-472D	260, 315
4580-4535	4580-4535	244, 337	48282-48220	48282-48220	286, 377
4595-4535	4595-4535	246, 338	48286-48220	48286-48220	286, 377
4A-6	4A-6	200, 306	48286-48220D	48286-48220D	286, 377
460-452D	460-452D	232, 313	48290-48220	48290-48220	286, 377
460-453X	460-453X	232, 313	48290-48220D	48290-48220D	287, 377
46162-46368	46162-46368	229, 375	48290DW-48220	48290DW-48220	287, 377
46176-46368	46176-46368	233, 375	483-472	483-472	255, 315
462-452D	462-452D	249, 313	483-472D	483-472D	255, 315
462-453X	462-453X	249, 313	48385-48320	48385-48320	288, 377
462A-4536	462A-4536	250, 314	48385-48320D	48385-48320D	288, 377
466-452D	466-452D	248, 314	48393-48320	48393-48320	289, 377
466-453X	466-453X	248, 314	48393A-48320	48393A-48320	289, 377
467-452D	467-452D	237, 314	48393-48320D	48393-48320D	289, 377
467-453X	467-453X	237, 314	48393A-48328	48393A-48328	289, 377
46780-46720	46780-46720	293, 375	484-472	484-472	261, 315
46780-46720CD	46780-46720CD	293, 375	484-472B	484-472-B	261, 315
46790-46720	46790-46720	294, 375	484-472D	484-472D	262, 315
46790-46720B	46790-46720-B	294, 375	48684-48620	48684-48620	291, 377
46790-46720CD	46790-46720CD	294, 375	48685-48620	48685-48620	291, 377
46792-46720	46792-46720	294, 375	48685-48620B	48685-48620-B	291, 377
46792-46720B	46792-46720-B	294, 375	49175-49368	49175-49368	233, 377
46792-46720CD	46792-46720CD	294, 375	495-493	495-493	270, 315
468-452D	468-452D	245, 314	495A-493	495A-493	265, 315
468-453X	468-453X	245, 314	495A-493D	495A-493D	265, 315
469-452D	469-452D	250, 314	495A-493DC	495A-493DC	265, 315
469-453A	469-453A	250, 314	495AX-493	495AX-493	266, 315
469-453X	469-453X	250, 314	495AX-493D	495AX-493D	266, 315
469-454	469-454	250, 314	495AX-493DC	495AX-493DC	266, 315
47-MPB	47MPB	179	495-493D	495-493D	270, 315
47-MS	47MS	184	495-493DC	495-493DC	270, 315
47-MST	47MST	187	495-S-493	495-S-493	262, 315

NUMERICAL INDEX BY INDUSTRY NUMBER

Industry No	Timken No	Page No.	Industry No	Timken No	Page No.
495-S-493D	495-S-493D	262, 315	511017	511017	447
495-S-493DC	495-S-493DC	262, 315	511022	511022	447
49576-49520	49576-49520	233, 377	511023	511023	444
49585-49520	49585-49520	243, 377	512000	512000	130
496-493	496-493	269, 315	512001	512001	130
496-493D	496-493D	269, 315	512002	512002	130
496-493DC	496-493DC	270, 315	512003	512003	130
497-492A	497-492A	273, 316	512004	512004	130
497-493	497-493	273, 316	512005	512005	130
497A-493	497A-493	274, 316	512006	512006	130
497A-493D	497A-493D	274, 316	512007	512007	130
497A-493DC	497A-493DC	274, 316	512008	512008	130
497-493B	497-493-B	273, 316	512009	512009	130
497-493D	497-493D	274, 316	512010	512010	130
497-493DC	497-493DC	274, 316	512011	512011	130
498-493	498-493	272, 316	512014	512014	130
498-493D	498-493D	272, 316	512015	512015	130
498-493DC	498-493DC	272, 316	512016	512016	130
5000-KFF	5000KFF	42	512017	512017	130
5001-KFF	5001KFF	42	512018	512018	130
510001	510001	440	512019	512019	130
510002	510002	440	512020	512020	130
510003	510003	441	512021	512021	130
510004	510004	441	512022	512022	130
510005	510005	444	512023	512023	130
510006	510006	442	512024	512024	130
510007	510007	440	512025	512025	131
510008	510008	440	512026	512026	131
510009	510009	441	512027	512027	131
510010	510010	441	512028	512028	131
510011	510011	442	512029	512029	131
510012	510012	440	512030	512030	131
510013	510013	441	512031	512031	131
510014	510014	440	512032	512032	131
510015	510015	440	512033	512033	131
510016	510016	444	512034	512034	131
510017	510017	440	512035	512035	131
510018	510018	441	512036	512036	131
510019	510019	441	512037	512037	131
510020	510020	441	512038	512038	131
510023	510023	440	512039	512039	131
510024	510024	441	512040	512040	131
510028	510028	442	512078	512078	131
510029	510029	441	512105	512105	131
510031	510031	440	512106	512106	131
510032	510032	441	512107	512107	131
510033	510033	440	512118	512118	131
510034	510034	442	512119	512119	131
510035	510035	440	512120	512120	131
510038	510038	130	512121	512121	131
510050	510050	442	512122	512122	131
510051	510051	442	512123	512123	131
510052	510052	441	512124	512124	131
510053	510053	441	512125	512125	131
510054	510054	440	512133	512133	131
510055	510055	441	512136	512136	132
510065	510065	441	512137	512137	132
510066	510066	440	512140	512140	132
5106-WCC	5106WCC	42	512144	512144	132
511000	511000	444	512145	512145	132
511001	511001	447	512146	512146	132
511004	511004	447	512147	512147	132
511007	511007	444	512148	512148	132
511008	511008	444	512149	512149	132
511010	511010	444	512150	512150	132
511011	511011	445	512151	512151	132
511012	511012	130	512152	512152	132
511013	511013	444	512153	512153	132
511016	511016	448	512154	512154	132

NUMERICAL INDEX BY INDUSTRY NUMBER

Industry No	Timken No	Page No.	Industry No	Timken No	Page No.
512155	512155	132	513052	513052	442
512156	512156	132	513053	513053	441
512157	512157	132	513054	513054	441
512158	512158	132	513055	513055	210, 403
512159	512159	132	513056	513056	214, 403
512160	512160	132	513057	513057	229, 403
512161	512161	132	513058	513058	230, 403
512162	512162	132	513059	513059	134
512163	512163	132	513061	513061	134
512164	512164	132	513062	513062	134
512165	512165	132	513063	513063	134
512169	512169	132	513064	513064	134
512172	512172	132	513065	513065	134
512173	512173	132	513066	513066	134
512174	512174	132	513067	513067	109, 125
512175	512175	133	513068	513068	134
512176	512176	133	513070	513070	134
512177	512177	133	513071	513071	444
512178	512178	133	513072	513072	134
512180	512180	133	513073	513073	441
512181	512181	133	513074	513074	134
512182	512182	133	513075	513075	134
512183	512183	133	513076	513076	134
512224	512224	149	513077	513077	134
513001	513001	204, 402	513078	513078	134
513002	513002	440	513079	513079	134
513003	513003	133	513080	513080	134
513004-K	513004K	133	513081	513081	134
513005	513005	443	513082	513082	134
513006	513006	441	513084	513084	134
513007	513007	211, 402	513085	513085	134
513008	513008	110, 125	513087	513087	134
513009	513009	133	513088	513088	134
513010	513010	133	513089	513089	134
513011-K	513011K	133	513090	513090	134
513012	513012	133	513091	513091	134
513013	513013	133	513092	513092	134
513015	513015	230, 402	513093	513093	442
513016-K	513016K	133	513094	513094	135
513017-K	513017K	133	513095	513095	135
513018	513018	133	513096	513096	135
513019	513019	133	513098	513098	135
513020	513020	133	513099	513099	135
513021	513021	440	513100	513100	135
513022	513022	444	513104	513104	135
513023	513023	108, 125	513105	513105	135
513024	513024	440	513106	513106	441
513025	513025	440	513107	513107	135
513029	513029	207, 403	513109	513109	135
513030	513030	133	513111	513111	135
513031	513031	444	513112	513112	444
513032	513032	447	513113	513113	444
513033	513033	133	513114	513114	135
513034	513034	133	513115	513115	135
513035	513035	133	513116	513116	444
513036	513036	441	513117	513117	135
513038	513038	133	513121	513121	135
513039	513039	133	513122	513122	135
513040	513040	133	513123	513123	135
513041	513041	133	513124	513124	135
513042	513042	133	513125	513125	135
513044	513044	133	513126	513126	135
513045	513045	226, 403	513127	513127	135
513046	513046	248, 403	513128	513128	135
513047	513047	240, 403	513130	513130	444
513048	513048	134	513131	513131	135
513049	513049	134	513132	513132	135
513050	513050	134	513133	513133	135
513051	513051	444	513135	513135	135

NUMERICAL INDEX BY INDUSTRY NUMBER

Industry No	Timken No	Page No.	Industry No	Timken No	Page No.
513137	513137	135	5204-KE	5204KE	36
513139	513139	135	5204-KLE	5204KLE	36
513142	513142	135	5204-KSSE	5204KSSE	36
513144-K	513144K	441	5204-KSSLE	5204KSLE	36
513150	513150	440	5204-KZZE	5204KZZE	36
513151	513151	441	5204-KZZLE	5204KZZLE	36
513152	513152	136	5205-FFH	5205FFH	36
513153	513153	136	5205-KE	5205KE	36
513155	513155	136	5205-KLE	5205KLE	36
513180	513180	441	5205-KSE	5205KSE	36
513182	513182	444	5205-KSSE	5205KSSE	36
513183	513183	136	5205-KSSLE	5205KSLE	36
513185	513185	218, 403	5205-KZZE	5205KZZE	36
513202	513202	136	5205-KZZLE	5205KZZLE	36
513241	513241	441	5206-DD	5206DD	36
513244	513244	221, 403	5206-FFH	5206FFH	36
513245	513245	219, 403	5206-KE	5206KE	36
513246	513246	226, 403	5206-KLE	5206KLE	36
513248	513248	221, 403	5206-KSE	5206KSE	36
514000	514000	444	5206-KSSE	5206KSSE	36
514001	514001	447	5206-KSSLE	5206KSLE	36
514002	514002B	440	5206-KZZE	5206KZZE	36
514003	514003	447	5206-KZZLE	5206KZZLE	36
514004	514004	447	5207-FFH	5207FFH	36
515000	515000	136	5207-KE	5207KE	36
515001	515001	136	5207-KLE	5207KLE	36
515002	515002	136	5207-KSE	5207KSE	36
515005	515005	136	5207-KSSE	5207KSSE	36
515006	515006	136	5207-KSSLE	5207KSLE	36
515014	515014	136	5207-KZZE	5207KZZE	36
515017	515017	136	5207-KZZLE	5207KZZLE	37
515022	515022	136	5207-W	5207W	37
515026	515026	136	5207-WS	5207WS	37
515027	515027	136	5207-WSS	5207WSS	37
515030	515030	136	5208-KE	5208KE	37
515031	515031	136	5208-KSSE	5208KSSE	37
516000	516000	207, 403	5208-KSSLE	5208KSLE	37
516001	516001	207, 403	5208-KZZE	5208KZZE	37
516003	516003	230, 403	5208-KZZLE	5208KZZLE	37
516004	516004	230, 403	5208-VFFH	5208VFFH	42
516005	516005	230, 403	5208-W	5208W	37
517003	517003	230, 404	5208-WS	5208WS	37
517004	517004	226, 404	5208-WSS	5208WSS	37
517005	517005	220, 404	5209-KE	5209KE	37
517006	517006	221, 404	5209-KLE	5209KLE	37
517007	517007	234, 404	5209-KSSE	5209KSSE	37
517008	517008	230, 404	5209-KSSLE	5209KSLE	37
517009	517009	226, 404	5209-KZZE	5209KZZE	37
517011	517011	440	5209-KZZLE	5209KZZLE	37
517012	517012	239, 404	5209-W	5209W	37
518500	518500	136	5209-WS	5209WS	37
518501	518501	136	5209-WSS	5209WSS	37
518502	518502	136	5210-KE	5210KE	37
518503	518503	136	5210-KLE	5210KLE	37
518504	518504	136	5210-KSE	5210KSE	37
518505	518505	136	5210-KSSE	5210KSSE	37
518506	518506	136	5210-KSSLE	5210KSLE	37
518507	518507	136	5210-KZZE	5210KZZE	37
52-MPB	52MPB	179	5210-KZZLE	5210KZZLE	37
52-MS	52MS	184	5210-W	5210W	37
52-MST	52MST	187	5210-WS	5210WS	37
52-MSTR	52MSTR	188	5210-WSS	5210WSS	37
520000	520000	136	5211-KE	5211KE	37
520100	520100	136	5211-KLE	5211KLE	37
5203-KE	5203KE	36	5211-KSSE	5211KSSE	37
5203-KLE	5203KLE	36	5211-KSSLE	5211KSLE	37
5203-KSLE	5203KSLE	36	5211-KZZE	5211KZZE	38
5203-KSSE	5203KSSE	36	5211-W	5211W	38
5203-KZZE	5203KZZE	36	5211-WS	5211WS	38

NUMERICAL INDEX BY INDUSTRY NUMBER

Industry No	Timken No	Page No.	Industry No	Timken No	Page No.
5211-WSS	5211WSS	38	5308-WSL	5308WSL	41
5212-KE	5212KE	38	5308-WSS	5308WSS	41
5212-KSSE	5212KSSE	38	5309-KE	5309KE	41
5212-KSSLE	5212KSLE	38	5309-KLE	5309KLE	41
5212-KZE	5212KZE	38	5309-KSE	5309KSE	41
5212-KZZE	5212KZZE	38	5309-KSSE	5309KSSE	41
5212-KZZLE	5212KZZLE	38	5309-KZZE	5309KZZE	41
5212-W	5212W	38	5309-KZZLE	5309KZZLE	41
5212-WL	5212WL	38	5309-W	5309W	41
5212-WS	5212WS	38	5309-WL	5309WL	41
5212-WSS	5212WSS	38	5309-WS	5309WS	41
5215-W	5215W	38	5309-WSL	5309WSL	41
5215-WSS	5215WSS	38	5309-WSS	5309WSS	41
5218	5218	38	5309-WSSL	5309WSSL	41
52375-52618	52375-52618	278, 378	5310-KE	5310KE	41
52375-52637D	52375-52637D	278, 378	5310-KLE	5310KLE	41
52387-52618	52387-52618	279, 378	5310-KSSE	5310KSSE	41
52387-52637D	52387-52637D	279, 378	5310-KSSLE	5310KSLE	41
52393-52618	52393-52618	280, 378	5310-KZZE	5310KZZE	41
52393-52637D	52393-52637D	280, 378	5310-KZZLE	5310KZZLE	41
52400-52618	52400-52618	280, 378	5310-W	5310W	41
52400-52637	52400-52637	280, 378	5310-WA	5310WA	43
52400-52637D	52400-52637D	280, 378	5310-WL	5310WL	41
52400-52638	52400-52638	280, 378	5310-WLB	5310WLB	43
525-522	525-522	223, 316	5310-WS	5310WS	41
526-522	526-522	229, 316	5310-WSS	5310WSS	41
527-522	527-522	234, 316	5311-KE	5311KE	41
528-522	528-522	238, 316	5311-KLE	5311KLE	41
529-522	529-522	243, 316	5311-KSSE	5311KSSE	41
529X-522	529X-522	243, 316	5311-KZZE	5311KZZE	41
5304	5304	40	5311-W	5311W	41
5304-KE	5304KE	40	5311-WL	5311WL	41
5304-KSSE	5304KSSE	40	5312-W	5312W	41
5304-KSSLE	5304KSSLE	40	5312-WL	5312WL	42
5304-KZZE	5304KZZE	40	5313-W	5313W	42
5304-KZZLE	5304KZZLE	40	5313-WL	5313WL	42
5305-KE	5305KE	40	5314-W	5314W	42
5305-KLE	5305KLE	40	5314-WL	5314WL	42
5305-KSE	5305KSE	40	53150-53375	53150-53375	223, 378
5305-KSSE	5305KSSE	40	53162-53375	53162-53375	228, 378
5305-KSSLE	5305KSSLE	40	53176-53375	53176-53375	232, 378
5305-KZZE	5305KZZE	40	53176-53377	53176-53377	232, 378
5305-KZZLE	5305KZZLE	40	53176-53387	53176-53387	232, 378
5305-L	5305L	40	53177-53375	53177-53375	232, 378
5306-KE	5306KE	40	53178-53375	53178-53375	232, 378
5306-KLE	5306KLE	40	535-532A	535-532A	234, 316
5306-KSE	5306KSE	40	535-532X	535-532X	234, 316
5306-KSSE	5306KSSE	40	5356-5335	5356-5335	234, 338
5306-KZZE	5306KZZE	40	537-532X	537-532X	244, 316
5306-W	5306W	40	539-532A	539-532A	246, 316
5306-WS	5306WS	40	539A-532X	539A-532X	246, 317
5306-WSS	5306WSS	40	539-532X	539-532X	246, 316
5307-KE	5307KE	40	5395-5335	5395-5335	238, 338
5307-KLE	5307KLE	40	543085-543114	543085-543114	301, 405
5307-KSSE	5307KSSE	40	543085-543115D	543085-543115D	301, 405
5307-KSSLE	5307KSLE	40	543086-543114	543086-543114	301, 405
5307-KZZE	5307KZZE	40	543-532X	543-532X	226, 317
5307-KZZLE	5307KZZLE	40	544090-544118	544090-544118	302, 405
5307-W	5307W	40	544091-544118	544091-544118	303, 405
5307-WS	5307WS	40	55175-55433D	55175-55433D	232, 378
5308-KE	5308KE	40	55175C-55437	55175C-55437	232, 378
5308-KLE	5308KLE	40	55176C-55437	55176C-55437	232, 378
5308-KSSE	5308KSSE	40	55187-55433D	55187-55433D	237, 378
5308-KSSLE	5308KSLE	40	55187C-55437	55187C-55437	237, 379
5308-KZZE	5308KZZE	40	55196-55433D	55196-55433D	238, 379
5308-KZZLE	5308KZZLE	41	55200-55433D	55200-55433D	241, 379
5308-W	5308W	41	55200C-55437	55200C-55437	241, 379
5308-WL	5308WL	41	55200C-55437B	55200C-55437-B	242, 379
5308-WS	5308WS	41	55200C-55443	55200C-55443	242, 379

NUMERICAL INDEX BY INDUSTRY NUMBER

Industry No	Timken No	Page No.	Industry No	Timken No	Page No.
55206-55437	55206-55437	244, 379	580-572D	580-572D	271, 319
55206C-55437	55206C-55437	244, 379	581-572	581-572	270, 319
55206C-55437B	55206C-55437-B	244, 379	581-572D	581-572D	270, 319
55206-55443	55206-55443	244, 379	582-572	582-572	271, 319
55212C-55434	55212C-55434	245, 379	582-572D	582-572D	271, 319
554-552	554-552	253, 317	590A-592A	590A-592A	266, 319
554-553X	554-553X	253, 317	590A-592D	590A-592D	266, 319
555-552A	555-552A	244, 317	59175-59412	59175-59412	234, 379
555-552D	555-552D	244, 317	59200-59412	59200-59412	243, 379
555-S-552A	555-S-552A	251, 317	59201-59412	59201-59412	243, 379
555-S-552B	555-S-552-B	250, 317	593-592A	593-592A	275, 319
555-S-552D	555-S-552D	251, 317	593A-592A	593A-592A	275, 319
5565-5535	5565-5535	244, 338	593A-592D	593A-592D	275, 319
557A-552	557A-552	253, 317	593-592D	593-592D	275, 319
557-S-552A	557-S-552A	246, 317	594-592A	594-592A	278, 319
557-S-552D	557-S-552D	246, 317	594A-592A	594A-592A	279, 319
557A-553X	557A-553X	253, 317	594A-592B	594A-592-B	278, 319
5577-5535	5577-5535	246, 338	594A-592D	594A-592D	279, 319
5578-5535	5578-5535	246, 338	594A-592XE	594A-592XE	279, 319
5583-5535	5583-5535	253, 338	594A-592XS	594A-592XS	279, 320
5584-5535	5584-5535	255, 338	594-592D	594-592D	278, 319
558-552A	558-552A	253, 317	595-592A	595-592A	271, 320
558A-552	558A-552	253, 317	595A-592	595A-592	268, 320
558-552D	558-552D	253, 317	595-592D	595-592D	271, 320
558A-553X	558A-553X	253, 317	595A-593X	595A-593X	268, 320
559-552A	559-552A	255, 317	596-592A	596-592A	274, 320
559-552D	559-552D	255, 317	596-592D	596-592D	274, 320
5595-5535	5595-5535	257, 338	598-592A	598-592A	277, 320
560-552A	560-552A	258, 317	598A-592A	598A-592A	277, 320
560-552D	560-552D	258, 317	598A-592D	598A-592D	277, 320
560-S-552A	560-S-552A	259, 317	598-592D	598-592D	277, 320
560-S-552B	560-S-552-B	259, 318	613000	613000	85
560-S-552D	560-S-552D	259, 318	613001	613001	86
56418-56650	56418-56650	282, 379	613003	613003	86
56418-56650D	56418-56650D	282, 379	613004	613004	85
56425-56650	56425-56650	282, 379	613007	613007	84
56425-56650B	56425-56650-B	283, 379	613008	613008	86
56425-56650D	56425-56650D	283, 379	613009	613009	85
56425-56662	56425-56662	283, 379	613010	613010	86
56426-56650	56426-56650	283, 379	613012	613012	86
565-563	565-563	255, 318	613013	613013	86
565-563D	565-563D	255, 318	613014	613014	85
566-563	566-563	260, 318	613015	613015	86
566-563D	566-563D	260, 318	613016	613016	86
567-563	567-563	263, 318	613017	613017	86
567A-563	567A-563	262, 318	614000	614000	92
567A-563D	567A-563D	263, 318	614001	614001	91
567-563B	567-563-B	263, 318	614002	614002	92
567-563D	567-563D	263, 318	614003	614003	87
568-563	568-563	264, 318	614004	614004	91
568-563B	568-563-B	264, 318	614005	614005	92
568-563D	568-563D	264, 318	614007	614007	91
570-563	570-563	259, 318	614009	614009	95
570-563D	570-563D	259, 318	614013	614013	94
5707	5707	108, 124	614014	614014	95
57080	57080	98, 146	614015	614015	94
575-572	575-572	266, 318	614016	614016	93
575-572D	575-572D	266, 318	614017	614017	88
575-S-572	575-S-572	266, 318	614018	614018	95
575-S-572D	575-S-572D	266, 318	614019	614019	89
5760-5735	5760-5735	267, 338	614021	614021	94
576-572	576-572	263, 318	614022	614022	94
576-572D	576-572D	263, 318	614024	614024	92
577-572	577-572	264, 319	614026	614026	94
577-572D	577-572D	264, 319	614028	614028	91
578-572	578-572	269, 319	614030	614030	88
5795-5735	5795-5735	268, 338	614031	614031	93
580-572	580-572	270, 319	614033	614033	93
580-572B	580-572-B	270, 319	614034	614034	88

NUMERICAL INDEX BY INDUSTRY NUMBER

Industry No	Timken No	Page No.	Industry No	Timken No	Page No.
614036	614036	94	614128	614128	93
614037	614037	95	614129	614129	90
614038	614038	95	614132	614132	91
614039	614039	94	614135	614135	90
614040	614040	95	614138	614138	91
614041	614041	90	614139	614139	91
614042	614042	89	614143	614143	86
614043	614043	94	614146	614146	95
614047	614047	94	614147	614147	95
614048	614048	94	614150	614150	91
614049	614049	94	614152	614152	94
614050	614050	93	619001	619001	97
614052	614052	95	619002	619002	97
614053	614053	93	619003	619003	97
614054	614054	94	619004	619004	97
614055	614055	94	619005	619005	97
614056	614056	94	619006	619006	97
614057	614057	90	619007	619007	97
614058	614058	96	619008	619008	97
614059	614059	94	619-612	619-612	244, 320
614060	614060	94	62-MPB	62MPB	179
614061	614061	95	62-MS	62MS	184
614062	614062	95	62-MST	62MST	187
614063	614063	94	62-MSTR	62MSTR	188
614065	614065	89	621-612	621-612	246, 320
614066	614066	93	621-612B	621-612-B	246, 320
614067	614067	95	623-612	623-612	251, 320
614068	614068	95	623-612B	623-612-B	251, 320
614069	614069	93	624-613B	624-613-B	246, 320
614070	614070	88	6277-6220	6277-6220	234, 339
614072	614072	95	6280-6220	6280-6220	246, 339
614073	614073	94	636-632	636-632	246, 320
614076	614076	95	636-632D	636-632D	246, 320
614077	614077	93	6379-6320	6379-6320	257, 339
614078	614078	86	6381-6320	6381-6320	248, 339
614079	614079	95	6382-6320	6382-6320	256, 339
614080	614080	85	6386-6320	6386-6320	259, 339
614082	614082	93	6389-6320	6389-6320	259, 339
614083	614083	95	639-632	639-632	255, 320
614084	614084	95	639-632D	639-632D	255, 320
614085	614085	86	6408	6408	109, 124
614086	614086	95	641-632	641-632	258, 320
614087	614087	96	641-632B	641-632-B	258, 321
614088	614088	87	641-632D	641-632D	258, 321
614089	614089	90	641-633	641-633	258, 321
614091	614091	95	643-632	643-632	260, 321
614092	614092	93	643-632D	643-632D	260, 321
614093	614093	95	64432-64700	64432-64700	283, 379
614095	614095	87	64432-64700D	64432-64700D	283, 380
614096	614096	89	64433-64700	64433-64700	283, 380
614097	614097	89	64433-64700D	64433-64700D	283, 380
614098	614098	89	64450-64700	64450-64700	284, 380
614099	614099	93	64450-64700B	64450-64700-B	284, 380
614100	614100	90	64450-64700D	64450-64700D	284, 380
614104	614104	95	64450-64708	64450-64708	284, 380
614105	614105	95	64452A-64700D	64452A-64700D	285, 380
614106	614106	95	644-632	644-632	263, 321
614107	614107	92	644-632B	644-632-B	263, 321
614108	614108	94	644-632D	644-632D	263, 321
614109	614109	95	645-633	645-633	263, 321
614110	614110	93	6460-6420	6460-6420	264, 339
614114	614114	96	6461-6420	6461-6420	267, 339
614116	614116	94	6461A-6420	6461A-6420	267, 339
614117	614117	95	6461A-6420A	6461A-6420A	267, 339
614118	614118	94	6461A-6420B	6461A-6420-B	267, 339
614122	614122	93	6461A-6424	6461A-6424	267, 339
614123	614123	94	6461A-6427	6461A-6427	268, 339
614126	614126	94	6466-6420	6466-6420	267, 339
614127	614127	93	6466-6420A	6466-6420A	267, 339

NUMERICAL INDEX BY INDUSTRY NUMBER

Industry No	Timken No	Page No.	Industry No	Timken No	Page No.
6466-6424	6466-6424	267, 339	67782-67720	67782-67720	294, 382
6466-6427	6466-6427	267, 339	67782-67720CD	67782-67720CD	295, 382
65200-65500	65200-65500	244, 380	67786-67720	67786-67720	295, 382
65212-65500	65212-65500	246, 380	67786-67720CD	67786-67720CD	295, 382
65212-65501	65212-65501	246, 380	67787-67720	67787-67720	295, 382
65212-65537	65212-65537	246, 380	67787-67720CD	67787-67720CD	295, 382
65225-65500	65225-65500	251, 380	67790-67720	67790-67720	296, 382
65237-65500	65237-65500	253, 380	67790-67720B	67790-67720-B	296, 382
65237A-65500	65237A-65500	253, 380	67790D-67720	67790D-67720	296, 382
65237-65500B	65237-65500-B	253, 380	67791-67720	67791-67720	296, 382
65390-65320	65390-65320	238, 380	67791-67720CD	67791-67720CD	296, 382
655-653	655-653	260, 321	67883-67820	67883-67820	297, 383
6559C-6535	6559C-6535	272, 339	67883-67820CD	67883-67820CD	297, 383
6575-6535	6575-6535	268, 339	67884-67820	67884-67820	297, 383
657-653	657-653	263, 321	67884-67820CD	67884-67820CD	297, 383
6576C-6535	6576C-6535	268, 340	67885-67820	67885-67820	298, 383
6576-6535W	6576-6535W	268, 340	67885-67820B	67885-67820-B	298, 383
6580-6535	6580-6535	276, 340	67885-67820CD	67885-67820CD	298, 383
6580-6535B	6580-6535-B	276, 340	67887-67820	67887-67820	298, 383
659-653	659-653	266, 321	67887-67830	67887-67830	298, 383
661-653	661-653	268, 321	67887-67835	67887-67835	298, 383
66200-66462	66200-66462	243, 380	679-672	679-672	275, 322
66200-66462D	66200-66462D	243, 380	679-672D	679-672D	275, 322
66212-66462	66212-66462	245, 380	67983-67920	67983-67920	300, 383
66212-66462D	66212-66462D	245, 380	67983-67920CD	67983-67920CD	300, 383
66225-66462	66225-66462	250, 380	67985-67920	67985-67920	300, 383
66225-66462B	66225-66462-B	250, 381	67985-67920B	67985-67920-B	300, 383
66225-66462D	66225-66462D	250, 381	67985-67920CD	67985-67920CD	300, 383
663-652	663-652	271, 321	67989-67920	67989-67920	301, 383
663A-652	663A-652	271, 321	67989-67920B	67989-67920-B	301, 383
663A-652A	663A-652A	271, 321	67989-67920CD	67989-67920CD	301, 383
663-652B	663-652-B	271, 321	681-672	681-672	277, 322
663-653	663-653	271, 321	681A-672	681A-672	277, 322
663A-653	663A-653	271, 321	681A-672B	681A-672-B	277, 322
663A-653X	663A-653X	271, 321	681A-672D	681A-672D	277, 322
665-652B	665-652-B	274, 321	681-672B	681-672-B	277, 322
665-653	665-653	274, 321	681-672D	681-672D	277, 322
665A-653	665A-653	274, 322	681W-672B	681W-672-B	277, 322
66584-66520	66584-66520	245, 381	682-672B	682-672-B	278, 322
66585-66521DB	66585-66521DB	252, 381	683-672	683-672	279, 322
66589-66520	66589-66520	251, 381	683-672B	683-672-B	279, 322
67384-67320	67384-67320	286, 381	683-672D	683-672D	279, 322
67384-67320B	67384-67320-B	286, 381	683WA-672B	683WA-672-B	279, 322
67388-67320	67388-67320	287, 381	683XA-672	683XA-672	279, 322
67388-67320B	67388-67320-B	287, 381	683XA-672B	683XA-672-B	279, 322
67388W-67320	67388W-67320	287, 381	683XA-672D	683XA-672D	279, 322
67388W-67320B	67388W-67320-B	287, 381	683X-672B	683X-672-B	278, 322
67388-67322	67388-67322	287, 381	68450-68712	68450-68712	284, 383
67388-67322B	67388-67322-B	287, 381	68462-68709	68462-68709	285, 383
67388-67322D	67388-67322D	287, 381	68462-68712	68462-68712	285, 384
67389-67320	67389-67320	288, 381	68463-68712	68463-68712	285, 384
67389-67320B	67389-67320-B	288, 381	685-672	685-672	279, 322
67389-67322	67389-67322	288, 381	685-672D	685-672D	280, 323
67389-67322D	67389-67322D	288, 381	687430	687430	153
67390-67320	67390-67320	288, 381	687-672	687-672	281, 323
67390-67320B	67390-67320-B	288, 381	687-672B	687-672-B	281, 323
67390W-67320	67390W-67320	289, 382	687-672D	687-672D	281, 323
67390W-67320B	67390W-67320-B	289, 382	6901-P	6901P	22
67390-67322	67390-67322	288, 382	7109	7109	32, 98
67390-67322B	67390-67322-B	288, 382	7119-TL	7119TL	32
67390-67322D	67390-67322D	289, 382	7122-TLVG	7122TLVG	32
67391-67320	67391-67320	289, 382	71412-71750	71412-71750	282, 384
67391-67320B	67391-67320-B	289, 382	71412-71751D	71412-71751D	282, 384
67391-67322	67391-67322	289, 382	71425-71750	71425-71750	283, 384
67391-67322D	67391-67322D	289, 382	71425-71751D	71425-71751D	283, 384
677-672	677-672	274, 322	71437-71750	71437-71750	284, 384
677-672D	677-672D	274, 322	71437-71753	71437-71753	284, 384
67780-67720	67780-67720	294, 382	71450-71750	71450-71750	284, 384
67780-67720CD	67780-67720CD	294, 382	71450-71751D	71450-71751D	284, 384

NUMERICAL INDEX BY INDUSTRY NUMBER

Industry No	Timken No	Page No.	Industry No	Timken No	Page No.
71453-71750	71453-71750	285, 384	757-752	757-752	272, 324
71453-71751D	71453-71751D	285, 384	757-752B	757-752-B	272, 324
71455-71751D	71455-71751D	285, 384	757-752D	757-752D	272, 324
72-MS	72MS	184	757-752DC	757-752DC	272, 324
72-MST	72MST	187	757W-752B	757W-752-B	272, 324
7204	7204	32	758-752	758-752	274, 324
7205	7205	32	758-752B	758-752-B	274, 324
7205-TA	7205TA	32	758-752D	758-752D	274, 324
7209	7209	32	758-752DC	758-752DC	274, 324
7211-HFL	7211HFL	33	758W-752B	758W-752-B	274, 324
7211-HL	7211HL	33	759-752	759-752	275, 324
7214-E	7214E	32	759-752B	759-752-B	275, 324
7215-E	7215E	32	759-752D	759-752D	275, 324
72187C-72487	72187C-72487	238, 384	759-752DC	759-752DC	275, 325
72187C-72500	72187C-72500	238, 384	760-752	760-752	276, 325
72188C-72487	72188C-72487	237, 384	760-752B	760-752-B	276, 325
72188C-72488D	72188C-72488D	238, 384	760-752D	760-752D	277, 325
72200C-72487	72200C-72487	243, 384	760-752DC	760-752DC	277, 325
72200C-72488D	72200C-72488D	243, 384	761W-752B	761W-752-B	275, 325
72201C-72487	72201C-72487	243, 385	762-752	762-752	264, 325
72201C-72488D	72201C-72488D	243, 385	762-752B	762-752-B	264, 325
72212C-72487	72212C-72487	245, 385	762-752D	762-752D	264, 325
72212C-72488D	72212C-72488D	246, 385	762-752DC	762-752DC	264, 325
72218C-72487	72218C-72487	248, 385	762X-752B	762X-752-B	273, 325
72218C-72488D	72218C-72488D	248, 385	766-752	766-752	275, 325
72225C-72487	72225C-72487	250, 385	766-752B	766-752-B	275, 325
72225C-72488D	72225C-72488D	250, 385	766-752D	766-752D	275, 325
7303	7303	33	766-752DC	766-752DC	275, 325
7306	7306	33	77362-77675	77362-77675	277, 386
73562-73876CD	73562-73876CD	291, 385	77375-77675	77375-77675	279, 386
740-742	740-742	270, 323	776-772	776-772	279, 325
740-742D	740-742D	270, 323	778-772	778-772	277, 325
744-742	744-742	264, 323	778-774D	778-774D	277, 325
744-742D	744-742D	264, 323	780-772	780-772	281, 325
74500-74850	74500-74850	287, 385	780-774D	780-774D	281, 325
74500-74851CD	74500-74851CD	287, 385	78215C-78551	78215C-78551	246, 386
74525-74850	74525-74850	289, 385	78216D-78537	78216D-78537	248, 386
74525-74851CD	74525-74851CD	289, 385	78216D-78551	78216D-78551	248, 386
74537-74850	74537-74850	289, 385	78225-78551	78225-78551	250, 386
74537-74851CD	74537-74851CD	289, 385	78225C-78551	78225C-78551	250, 386
74550-74845	74550-74845	290, 385	78250-78537	78250-78537	255, 386
74550-74850	74550-74850	290, 385	78250AC-78537	78250AC-78537	255, 386
74550A-74850	74550A-74850	290, 385	78250-78551	78250-78551	255, 386
74550-74850B	74550-74850-B	290, 385	78250AC-78551	78250AC-78551	255, 386
74550A-74851CD	74550A-74851CD	290, 385	782-772	782-772	281, 325
74550-74851CD	74550-74851CD	290, 385	782-772B	782-772-B	282, 325
745A-742	745A-742	261, 323	782-774D	782-774D	282, 326
745A-742D	745A-742D	261, 323	786-772	786-772	282, 326
748-S-742	748-S-742	267, 323	786-774D	786-774D	282, 326
748-S-742D	748-S-742D	267, 323	787-772	787-772	282, 326
749-742	749-742	273, 323	787-774D	787-774D	282, 326
749A-742	749A-742	271, 323	7890-A	7890A	23
749A-742D	749A-742D	271, 323	795-792	795-792	286, 326
749-742B	749-742-B	273, 323	795-792B	795-792-B	286, 326
749-742D	749-742D	273, 323	795-792CD	795-792CD	286, 326
749-S-742	749-S-742	273, 323	797-792	797-792	288, 326
749-S-742D	749-S-742D	273, 323	797-792CD	797-792CD	288, 326
750A-742	750A-742	271, 323	799-792	799-792	288, 326
750A-742D	750A-742D	271, 323	799A-792CD	799A-792CD	288, 326
755-752	755-752	267, 323	799-792CD	799-792CD	288, 326
755-752B	755-752-B	267, 324	80-MS	80MS	184
755-752D	755-752D	267, 324	8013	8013	69
755-752DC	755-752DC	267, 324	8016	8016	69, 98
755W-752B	755W-752-B	267, 324	8026	8026	69
756A-752	756A-752	269, 324	808840	808840	153
756A-752B	756A-752-B	269, 324	82562A-82931	82562A-82931	291, 386
756A-752D	756A-752D	269, 324	82562A-82950	82562A-82950	291, 386
756A-752DC	756A-752DC	269, 324	82576-82931	82576-82931	291, 386
756-752B	756-752-B	272, 324	82576-82950	82576-82950	291, 386

NUMERICAL INDEX BY INDUSTRY NUMBER

Industry No	Timken No	Page No.	Industry No	Timken No	Page No.
82576-82950B	82576-82950-B	291, 386	88128-RA	88128RA	447, 448
82576-82951CD	82576-82951CD	292, 386	88128-RAP	88128RAP	448
82680X-82620	82680X-82620	296, 386	88131-R	88131R	447
835-832	835-832	261, 326	882256	882256	25
841-832	841-832	274, 326	88500	88500	72
841-832B	841-832-B	274, 326	88501	88501	72
842-832	842-832	272, 326	88502	88502	72
85-MS	85MS	184	88502-A	88502A	73
8500	8500	69	88503	88503	72
8502	8502	69	88504	88504	72
8503	8503	69	88505	88505	72, 100
8504	8504	69	88506	88506	72
8505	8505	69, 100	88506-AR	88506AR	447, 448
8506	8506	69	88506-BR	88506BR	447, 448
8507	8507	69	88508	88508	72
850-832	850-832	276, 326	88509	88509	72
850-832B	850-832-B	276, 326	885140	885140	25
8537	8537	71	885151-E	885151E	25
855-854	855-854	276, 326	885152	885152	25
8573-8520	8573-8520	302, 340	885154-B	885154B	25
8573-8520CD	8573-8520CD	302, 340	885165-1	8851651	25
8574-8520	8574-8520	303, 340	885471	885471	25
8575-8520	8575-8520	303, 340	885802	885802	25
8575-8520CD	8575-8520CD	303, 340	88605	88605	72
857-854	857-854	277, 326	88900-88126	88900-88126	302, 388
8578-8520	8578-8520	304, 340	88925-88126	88925-88126	303, 388
8578-8520B	8578-8520-B	304, 341	88931-88126	88931-88126	304, 388
8578-8520CD	8578-8520CD	304, 341	896-892	896-892	289, 327
8603	8603	69	896-892B	896-892-B	290, 327
8604	8604	69	896-892CD	896-892CD	290, 327
8605	8605	69	8980-DD	8980DD	59
861-854	861-854	281, 326	898-892	898-892	290, 327
861-854B	861-854-B	281, 327	898A-892	898A-892	290, 327
864-854	864-854	279, 327	898A-892CD	898A-892CD	290, 327
86650-86100	86650-86100	294, 387	898-892B	898-892-B	290, 327
86669-86100	86669-86100	295, 387	898-892CD	898-892CD	290, 327
86669-86100B	86669-86100-B	295, 387	899-892B	899-892-B	290, 327
87-MS	87MS	184	90-MS	90MS	185
87008	87008	70	90334-90744	90334-90744	273, 389
87013	87013	70	90381-90744	90381-90744	279, 389
87016	87016	70	907257	907257	42
87500	87500	70	9122-KML	9122KML	34
87502	87502	70	9185-9121	9185-9121	259, 341
87503	87503	70	9218-K	9218K	34
87503-A	87503A	71	9222-KM	9222KM	34
87504	87504	70	9278-9220	9278-9220	259, 341
87505	87505	70	9285-9220	9285-9220	266, 341
87506	87506	70	9285-9220D	9285-9220D	267, 341
87507	87507	70	9308-KL	9308KL	34
87605	87605	70	9309-K	9309K	34
87737-87111	87737-87111	297, 387	9311-K	9311K	34
87737-87112D	87737-87112D	297, 387	936-932	936-932	283, 327
87737-87112DC	87737-87112DC	297, 387	936-932CD	936-932CD	283, 327
87750-87111	87750-87111	298, 387	93708-93127CD	93708-93127CD	297, 389
87750-87111B	87750-87111-B	298, 387	93750-93125	93750-93125	298, 389
87750-87112D	87750-87112D	298, 387	93750-93127CD	93750-93127CD	298, 389
87750-87112DC	87750-87112DC	298, 387	93787-93125	93787-93125	299, 389
87762-87111	87762-87111	298, 387	93787-93127CD	93787-93127CD	299, 389
87762-87111B	87762-87111-B	299, 387	93800-93125	93800-93125	300, 389
87762-87112D	87762-87112D	299, 387	93800D-93125	93800D-93125	300, 389
87762-87112DC	87762-87112DC	299, 387	93800-93127CD	93800-93127CD	300, 389
88013	88013	72	93801D-93125	93801D-93125	300, 389
88016	88016	72	9380-9320D	9380-9320D	267, 341
88026	88026	72	9380-9321	9380-9321	267, 341
88107	88107	72, 447	9380-9321B	9380-9321-B	267, 341
88107-AR	88107AR	447, 448	93825-93125	93825-93125	301, 389
88107-BGG	88107BGG	73	93825-93125B	93825-93125-B	301, 389
88107-BVV	88107BVV	73	93825-93127CD	93825-93127CD	301, 389
88128-GG	88128GG	73	9386H-9320D	9386H-9320D	272, 341

NUMERICAL INDEX BY INDUSTRY NUMBER

Industry No	Timken No	Page No.	Industry No	Timken No	Page No.
9386H-9321	9386H-9321	272, 341	B-01	B01	443
9386H-9321B	9386H-9321-B	272, 341	B-02	B02	443
938-932	938-932	284, 327	B-1316-Q	B1316Q	156
938-932B	938-932-B	284, 327	B-1412	B1412	148
938-932CD	938-932CD	284, 327	B-1612	B1612	148
941-932	941-932	281, 327	B-1616	B1616	148
941-932B	941-932-B	281, 327	B-168	B168	148
941-932CD	941-932CD	281, 327	B-1816	B1816	148
94649-94113	94649-94113	294, 389	B-2010	B2010	149
94649-94114CD	94649-94114CD	294, 390	B-2012	B2012	149
94687-94113	94687-94113	295, 390	B-2110	B2110	150
94687-94114CD	94687-94114CD	295, 390	B-228	B228	150
94700-94113	94700-94113	296, 390	B-2410	B2410	150
94700-94113B	94700-94113-B	296, 390	B-2412	B2412	150
94700-94114CD	94700-94114CD	296, 390	B-2414	B2414	150
94706D-94113	94706D-94113	297, 390	B-25	B25	443
95475-95925	95475-95925	286, 390	B-2516	B2516	148
95475-95927CD	95475-95927CD	286, 390	B-26	B26	443
95500-95905	95500-95905	287, 390	B-2610	B2610	151
95500-95925	95500-95925	287, 390	B-2812	B2812	151
95500-95925B	95500-95925-B	287, 390	B-2816	B2816	151
95500-95927CD	95500-95927CD	287, 390	B-3012	B3012	151
95525-95925	95525-95925	289, 390	B-32	B32	440
95525-95927CD	95525-95927CD	289, 390	B-3210	B3210	152
95528-95925	95528-95925	289, 390	B-3216	B3216	152
95528-95925B	95528-95925-B	289, 390	B-33	B33	440
95528-95927CD	95528-95927CD	289, 390	B-36	B36	440
96825-96140	96825-96140	301, 390	B-3612	B3612	152
96851D-96140	96851D-96140	301, 390	B-3616	B3616	152
96900-96140	96900-96140	302, 390	B-3624	B3624	152
96900-96140CD	96900-96140CD	302, 390	B-37	B37	443
96925-96140	96925-96140	303, 391	B-39	B39	441
96925-96140CD	96925-96140CD	303, 391	B-40	B40	443
97500-97901D	97500-97901D	287, 391	B-41	B41	443
98316-98789D	98316-98789D	269, 391	B-44	B44	443
98335-98789D	98335-98789D	273, 391	B-45	B45	443
98350-98788	98350-98788	276, 391	B-46	B46	443
98350-98789D	98350-98789D	276, 391	B-47	B47	443
98400-98788	98400-98788	281, 391	B-48	B48	443
98400-98788B	98400-98788-B	281, 391	B-5020	B5020	152
98400-98789D	98400-98789D	281, 391	B-52	B52	443
99550-99100	99550-99100	290, 391	B-62	B62	443
99550-99102CD	99550-99102CD	290, 391	B-66	B66	443
99575-99100	99575-99100	292, 391	B-67	B67	443
99575-99102CD	99575-99102CD	292, 391	B-70	B70	443
99600-99100	99600-99100	293, 391	B-73	B73	443
99600-99100B	99600-99100-B	293, 391	B-88	B88	146
99600-99102CD	99600-99102CD	293, 391	BCE-2416	BCE2416	150
A2037-A2120D	A2037-A2120D	198, 329	BH-2012	BH2012	149
A2037-A2126	A2037-A2126	198, 329	BH-208	BH208	149
A2047-A2120D	A2047-A2120D	198, 329	BH-2212	BH2212	150
A2047-A2126	A2047-A2126	198, 329	BH-3026	BH3026	149
A2047-A2126B	A2047-A2126-B	198, 329	BS-40-R	BS40R	178
A4049-A4138	A4049-A4138	198, 337	BS-52-R	BS52R	178
A4049-A4138D	A4049-A4138D	198, 337	BS-62-R	BS62R	178
A4050-A4138	A4050-A4138	198, 337	C-1086-Q	C1086Q	156
A4050-A4138B	A4050-A4138-B	198, 337	C-1110-Q	C1110Q	156
A4050-A4138D	A4050-A4138D	198, 337	C-1697-C	C1697C	87
A4059-A4138	A4059-A4138	198, 337	C-1960-Q	C1960Q	156
A4059-A4138B	A4059-A4138-B	198, 337	C-407-Q	C407Q	156
A4059-A4138D	A4059-A4138D	199, 337	C-436-Q	C436Q	156
A5069-A5144	A5069-A5144	200, 338	C-437-Q	C437Q	156
A6062-A6157	A6062-A6157	199, 338	C-5107-EV	C5107EV	106, 123
A6067-A6157	A6067-A6157	199, 338	C-672-Q	C672Q	156
A6075-A6157	A6075-A6157	200, 338	CA-02135-C	CA02135C	90
A6075-A6157B	A6075-A6157-B	200, 338	CB-205-GGRA	CB205GGRA	60
A6075-A6162	A6075-A6162	200, 338	CB-207-GGRA	CB207GGRA	61
AXK-4060	AXK4060	155	CC-1705-C	CC1705C	91
AXK-5070	AXK5070	155	CD-1377-C	CD1377C	91

NUMERICAL INDEX BY INDUSTRY NUMBER

Industry No	Timken No	Page No.	Industry No	Timken No	Page No.
CDS-209-TTR6P	CDS209TTRP	21	DS-208-TT8	DS208TTF	19
CDS-211-TTR23	CDS211TTRW	21	DS-208-TT9	DS208TTG	19
CF-108-S4F6	CF10846AG	22	DS-209-TTK	DS209TTK	19
CF-6032	CF6032	22	DS-209-TTR10	DS209TTRD	17
CF-6416	CF6416	22	DS-209-TTR12	DS209TTRF	17
CF-6417	CF6417	22	DS-209-TT2	DS209TTA	17
CF-6522	CF6522	22	DS-209-TT4	DS209TTB	17
CF-7811	CF7811	22	DS-209-TT5	DS209TTC	19
CGM-1209-PPA	CGM1209PPA	109, 118	DS-209-TT6	DS209TTD	17
CGM-1209-PPD	CGM1209PPD	108, 118	DS-209-TT6E	DS209TTE	17
CS-5704-EM	CS5704EM	105, 124	DS-209-TT6H	DS209TTF	17
CU-7508-TM	CU7508TM	108, 124	DS-209-TTR6P	DS209TTH	17
CU-8907-TM	CU8907TM	107, 124	DS-209-TT7	DS209TTI	19
D-2065-C	D2065C	88	DS-210-TT2	DS210TTA	17
D-7213-J	D7213J	33	DS-210-TT4	DS210TTB	19
DB-2255-C	DB2255C	88	DS-210-TT5	DS210TTC	17
DB-53313	DB53313	147	DS-210-TTR5S	DS210TTRD	19
DC-2065-C	DC2065C	88	DS-210-TT6	DS210TTF	19
DC-208	DC208	16	DS-211-TTR13	DS211TTRE	17
DC-208-TT	DC208TT	16	DS-211-TTR14	DS211TTRF	17
DC-208-TT10	DC208TTE	16	DS-211-TT2	DS211TTA	17
DC-208-TTR17	DC208TTRA	15	DS-211-TTR23	DS211TTRG	17
DC-208-TT2	DC208TTA	16	DS-211-TT3	DS211TTB	19
DC-208-TT5	DC208TTB	16	DS-211-TT4	DS211TTC	17
DC-208-TT6	DC208TTC	16	DS-211-TT6	DS211TTD	19
DC-208-TT8	DC208TTD	16	DS-211-TTR8R	DS211TTRC	17
DC-209-TTR8	DC209TTRH	16	DS-211-TTR9	DS211TTRD	17
DC-210	DC210	15	DS-214-TTRA	DS214TTRA	17
DC-210-TT	DC210TT	15	DS-214-TT2	DS214TTB	18
DC-210-TT2	DC210TTA	15	DS-214-TTR3	DS214TTRB	17
DC-210-TT3A	DC210TTCA	15	DS-214-TTR5	DS214TTRE	18
DC-210-TTR3	DC210TTRB	15	DS-216-TTR2	DS216TTRA	19
DC-210-TT4	DC210TTD	16	DS-216-TTR3	DS216TTRB	18
DC-210-TTR7	DC210TTRH	15	E-14	E14	54
DC-210-TTR9	DC210TTRG	15	EE107057-107105	EE107057-107105	292, 392
DC-211-TT2	DC211TTA	15	EE107057-107105CD	EE107057-107105CD	292, 392
DC-211-TTR21	DC211TTRD	15	EE107060-107105	EE107060-107105	293, 392
DC-211-TT3	DC211TTB	16	EE107060-107105CD	EE107060-107105CD	293, 392
DC-211-TTR3E	DC211TTRE	16	EE113089-113170	EE113089-113170	302, 392
DC-211-TTR4	DC211TTRB	16	EE113089-113171D	EE113089-113171D	302, 392
DC-211-TT5	DC211TTC	16	EE113091-113170	EE113091-113170	302, 392
DC-212-TT	DC212TT	16	EE113091-113171D	EE113091-113171D	302, 392
DC-214-TTR2	DC214TTRB	15	EE114080-114160	EE114080-114160	300, 393
DC-214-TTR3	DC214TTRC	15	EE114080-114161D	EE114080-114161D	300, 393
DC-216-TTR2	DC216TTRB	16	EE126096D-126150	EE126096D-126150	304, 393
DD-46386	DD46386	152	EE126097-126150	EE126097-126150	304, 393
DK-55836	DK55836	150	EE126097-126151CD	EE126097-126151CD	304, 393
DN-01575	DN01575	85	EE126098-126150	EE126098-126150	305, 393
DNA-01577-C	DNA01577C	91	EE126098-126151CD	EE126098-126151CD	305, 393
DNB-01576-C	DNB01576C	91	EE127095-127135	EE127095-127135	304, 393
DNC-01576-C	DNC01576C	91	EE127095-127136CD	EE127095-127136CD	304, 393
DND-01576C	DND01576C	91	EE127097DW-127135	EE127097DW-127135	304, 393
DNE-01576-C	DNE01576C	91	EE130851-131400	EE130851-131400	301, 393
DNF-01576-C	DNF01576C	91	EE130902-131400	EE130902-131400	302, 393
DP-1625-C	DP1625C	88	EE130902-131401CD	EE130902-131401CD	302, 393
DS-208-TT11	DS208TTH	19	EE170950-171450	EE170950-171450	304, 394
DS-208-TT12	DS208TTI	19	EE170950-171451CD	EE170950-171451CD	304, 394
DS-208-TT12A	DS208TTM	19	EE170975-171450	EE170975-171450	305, 394
DS-208-TT13	DS208TTK	19	EE170975-171451CD	EE170975-171451CD	305, 394
DS-208-TT14	DS208TTJ	17	EE219065-219117	EE219065-219117	294, 395
DS-208-TT2A	DS208TTA	17	EE219065-219122	EE219065-219122	294, 395
DS-208-TTR21	DS208TTRE	19	EE219068-219117	EE219068-219117	295, 395
DS-208-TT3	DS208TTL	17	EE219068-219122	EE219068-219122	295, 395
DS-208-TT4	DS208TTB	17	EE275095-275155	EE275095-275155	304, 400
DS-208-TT5	DS208TTC	19	EE275095-275156CD	EE275095-275156CD	304, 400
DS-208-TTR5	DS208TTRA	19	EE280626-281200	EE280626-281200	293, 400
DS-208-TT6	DS208TTD	19	EE280700D-281200	EE280700D-281200	296, 400
DS-208-TTR6	DS208TTRD	19	EE350701-351687	EE350701-351687	296, 400
DS-208-TT7	DS208TTE	17	EE350750-351687	EE350750-351687	298, 400

NUMERICAL INDEX BY INDUSTRY NUMBER

Industry No	Timken No	Page No.	Industry No	Timken No	Page No.
EE380080-380190	EE380080-380190	300, 401	FB-3-62-R	FB362R	178
EE420750D-421437	EE420750D-421437	298, 401	FB-3-72-R	FB372R	178
EE420751-421437	EE420751-421437	298, 401	FB-40-R	FB40R	177
EE420751-421451CD	EE420751-421451CD	298, 401	FB-52-R	FB52R	177
EE420800D-421437	EE420800D-421437	300, 401	FB-62-R	FB62R	177
EE420801-421437	EE420801-421437	300, 401	FB-72-R	FB72R	177
EE420801-421451CD	EE420801-421451CD	300, 401	FC-1723-C	FC1723C	88
EE430900-431575	EE430900-431575	303, 401	FC-2255-C	FC2255C	88
EE430900-431576CD	EE430900-431576CD	303, 401	FC-65174	FC65174	99, 147
EE450601-451212	EE450601-451212	293, 402	FC-65354	FC65354	98, 146
EE529090DW-529157	EE529090DW-529157	303, 405	FC-65446	FC65446	98, 146
EE821096D-821165	EE821096D-821165	304, 411	FC-65662	FC65662	99, 147
EE923095-923175	EE923095-923175	304, 412	FC-65753	FC65753	147
ER-16	ER16	12	FC-66067	FC66067	99, 147
ER-19	ER19	12	FC-662662	FC662662	149
F-01757-C	F01757C	92	FC-66426	FC66426	146
F-02256-C	F02256C	92	FC-66561	FC66561	148
F-100-R	F100R	176	FC-66998	FC66998	151
F-110-R	F110R	176	FC-67945	FC67945	150
F-1505-C	F1505C	87	FC-68096	FC68096	151
F-1625-C	F1625C	88	FC-68329	FC68329	147
F-2065-C	F2065C	88	FC-68336	FC68336	149
F-206755	F206755	153	FD-02256-C	FD02256C	92
F-206756	F206756	153	FD-209-RA	FD209RA	20
F-208323	F208323	153	FD-209-RB	FD209RB	20
F-209031	F209031	151	FD-209-RK	FD209RK	20
F-209348	F209348	152	FD-209-RM	FD209RM	20
F-212285	F212285	146	FD-210-R	FD210R	20
F-213118	F213118	149	FD-211-RB	FD211RB	20
F-218255	F218255	151	FD-211-RE	FD211RE	20
F-33126	F33126	98, 146	FD-211-RJA	FD211RJA	20
F-40-R	F40R	176	FD-211-RM	FD211RM	20
F-4020	F4020	151	FD-211-RP	FD211RP	20
F-47-R	F47R	176	FI-1709-C	FI1709C	93
F-52-R	F52R	176	FI-1710-C	FI1710C	93
F-53540	F53540	153	FNR-1-R	FNR1R	168
F-53543	F53543	154	FNR-1-1/2-R	FNR112R	168
F-54540	F54540	153	FNR-1-1/4-R	FNR114R	168
F-54970	F54970	149	FNR-1-1/4-2R	FNR1142R	168
F-56619	F56619	154	FNR-1/2-R	FNR12R	168
F-597071	F597071	149	FNR-1-3/16-RM	FNR1316RM	168
F-62-F	F62F	176	FNR-1-3/8-R	FNR138R	168
F-62-R	F62R	158, 180, 1	FNR-1-7/16-R	FNR1716R	168
F-72-R	F72R	176	FNR-3/4-R	FNR34R	168
F-80-R	F80R	176	FNR-5/8-R	FNR58R	168
F-81205	F81205	153	FO-1447-C	FO1447C	88
F-84003	F84003	152	FW-404820	FW404820	151
F-85-R	F85R	176	FW-455017	FW455017	151
F-85265	F85265	98, 146	FW-475325	FW475325	151
F-85706	F85706	99, 147	FW-505520	FW505520	152
F-87946	F87946	153	FW-556020	FW556020	152
F-90-R	F90R	176	FW-657020	FW657020	153
F-93290	F93290	153	FW-657030	FW657030	153
F-93934	F93934	150	FW-707620	FW707620	153
F-94488	F94488	150	FWA-1830	FWA1830	148
F-94490	F94490	152	FWG-1-R	FWG1R	169
F-95407	F95407	152	FWG-1-11/16-R	FWG11116R	169
FA-01757-C	FA01757C	92	FWG-1-1/16-R	FWG1116R	169
FA-02256-C	FA02256C	92	FWG-1-1/2-R	FWG112R	169
FA-20157	FA20157	155	FWG-1-1/4-R	FWG114R	169
FA-2065-C	FA2065C	88	FWG-1-15/16-R	FWG11516R	169
FA-2255-C	FA2255C	88	FWG-1-1/8-R	FWG118R	169
FA-35688	FA35688	155	FWG-1-3/16-R	FWG1316R	169
FA-55505	FA55505	149	FWG-1-3/4-R	FWG134R	169
FB-02256-C	FB02256C	92	FWG-1-3/8-R	FWG138R	169
FB-1625-C	FB1625C	88	FWG-15/16-R	FWG1516R	169
FB-2065-C	FB2065C	88	FWG-1-5/16-RM	FWG1516RM	169
FB-3-47-R	FB347R	178	FWG-1-5/8-R	FWG158R	169
FB-3-52-R	FB352R	178	FWG-1-7/16-R	FWG1716R	169

NUMERICAL INDEX BY INDUSTRY NUMBER

Industry No	Timken No	Page No.	Industry No	Timken No	Page No.
FWG-1-7/8-R	FWG178R	169	HA-590020	HA590020	137
FWG-1-9/16-R	FWG1916R	169	HA-590052	HA590052	137
FWG-2-R	FWG2R	169	HA-590055-K	HA590055K	137
FWG-2-3/16-R	FWG2316R	169	HA-590056-K	HA590056K	137
FWG-3/4-R	FWG34R	169	HA-590155-K	HA590155K	137
FWG-7/8-R	FWG78R	169	HA-590156-K	HA590156K	137
FWH-556320	FWH556320	152	HA-590181-K	HA590181K	137
G-100-MSA	G100MSA	186	HA-590182-K	HA590182K	137
G-1625-C	G1625C	87	HA-590202	HA590202	137
G-1697-C	G1697C	87	HA-590213	HA590213	137
G-52-MSA	G52MSA	186	HA-590241-K	HA590241K	137
G-62-MSA	G62MSA	186	HA-590494	HA590494	137
G-80-MSA	G80MSA	186	HA-590505	HA590505	137
G-85-MSA	G85MSA	186	HA-591104	HA591104	137
G-90-MSA	G90MSA	186	HA-591339	HA591339	137
GD-2005-C	GD2005C	87	HA-592519	HA592519	137
GD-2505-C	GD2505C	89	HA-593427	HA593427	137
GE-2505-C	GE2505C	89	HA-593550	HA593550	137
GH-2005-C	GH2005C	87	HA-594181	HA594181	137
GL-2005-C	GL2005C	89	HA-594460	HA594460	138
GM-2005-C	GM2005C	89	HA-595894	HA595894	138
H238140-H238110	H238140-H238110	294, 398	HA-596467	HA596467	138
H238148-H238110	H238148-H238110	296, 398	HA-597024	HA597024	138
H239640-H239610	H239640-H239610	296, 398	HA-597449	HA597449	138
H239649D-H239610	H239649D-H239610	297, 398	HA-597851	HA597851	138
H239649-H239610	H239649-H239610	297, 398	HA-598401	HA598401	138
H239649D-H239612	H239649D-H239612	298, 398	HA-598571	HA598571	138
H239649-H239612	H239649-H239612	297, 398	HA-598679	HA598679	138
H239649-H239612CD	H239649-H239612CD	297, 398	HA-598751	HA598751	138
H242649D-H242610	H242649D-H242610	301, 399	HA-599360	HA599360	138
H242649-H242610	H242649-H242610	301, 398	HA-599361	HA599361	138
H242649-H242610CD	H242649-H242610CD	301, 399	HA-599406	HA599406	138
H244849D-H244810	H244849D-H244810	301, 399	HA-599455-L	HA599455L	138
H247535-H247510	H247535-H247510	299, 399	HA-599455-R	HA599455R	138
H247535-H247510CD	H247535-H247510CD	299, 399	HA-599467	HA599467	138
H247548-H247510	H247548-H247510	304, 399	HA-599528	HA599528	138
H247549-H247510	H247549-H247510	304, 399	HB-1	HB1	127
H247549-H247510CD	H247549-H247510CD	304, 399	HB-10	HB10	128
H249148-H249111CD	H249148-H249111CD	304, 399	HB-106-FF	HB106FF	126
H414235-H414210	H414235-H414210	255, 401	HB-108	HB108	126
H414242-H414210	H414242-H414210	258, 401	HB-11	HB11	127
H414249-H414210	H414249-H414210	263, 401	HB-12	HB12	128
H414249-H414210B	H414249-H414210-B	263, 401	HB-13	HB13	128
H432649-H432610	H432649-H432610	293, 401	HB-14	HB14	127
H715332-H715311	H715332-H715311	253, 407	HB-15	HB15	127
H715334-H715311	H715334-H715311	253, 407	HB-16	HB16	127
H715336-H715311	H715336-H715311	255, 407	HB-17	HB17	127
H715340-H715311	H715340-H715311	257, 407	HB-18	HB18	127
H715340-H715313W	H715340-H715313W	257, 407	HB-19	HB19	127
H715341-H715311	H715341-H715311	258, 407	HB-2	HB2	128
H715343-H715310	H715343-H715310	259, 407	HB-20	HB20	127
H715343-H715310B	H715343-H715310-B	259, 407	HB-206-FF	HB206FF	126
H715343-H715311	H715343-H715311	259, 407	HB-21	HB21	127
H715345-H715311	H715345-H715311	263, 407	HB-22	HB22	127
H715347-H715311	H715347-H715311	261, 407	HB-24	HB24	128
H715348-H715310B	H715348-H715310-B	268, 407	HB-25	HB25	127
H715348-H715311	H715348-H715311	268, 407	HB-26	HB26	127
H913840-H913810	H913840-H913810	252, 412	HB-27	HB27	127
H913842-H913810	H913842-H913810	253, 412	HB-28	HB28	127
H913849-H913810	H913849-H913810	260, 412	HB-29	HB29	127
H914841-H914811	H914841-H914811	259, 412	HB-3	HB3	128
H916642-H916610	H916642-H916610	261, 412	HB-30	HB30	127
H917840-H917810	H917840-H917810	267, 412	HB-31	HB31	127
H924033-H924010	H924033-H924010	281, 412	HB-32	HB32	127
H924045-H924010	H924045-H924010	284, 412	HB-33	HB33	127
H924045-H924010D	H924045-H924010D	284, 412	HB-5	HB5	128
H936340-H936310	H936340-H936310	293, 413	HB-6	HB6	127
H936340-H936316	H936340-H936316	293, 413	HB-7	HB7	127
H936349-H936310	H936349-H936310	295, 413	HB-8	HB8	127

NUMERICAL INDEX BY INDUSTRY NUMBER

Industry No	Timken No	Page No.	Industry No	Timken No	Page No.
HB-88107-A	HB88107A	126	HK-1816	HK1816	147
HB-88107-B	HB88107B	126	HK-2816	HK2816	148
HB-88107-C	HB88107C	126	HK-3016	HK3016	149
HB-88107-D	HB88107D	126	HK-4012	HK4012	151
HB-88107-E	HB88107E	126	HM127440-HM127415XD..	HM127440-HM127415XD..	287, 393
HB-88508	HB88508	126	HM127446-HM127415XD..	HM127446-HM127415XD..	288, 393
HB-88508-A	HB88508A	126	HM129843-HM129814XD..	HM129843-HM129814XD..	291, 393
HB-88508-AA	HB88508AA	126	HM129848-HM129814XD..	HM129848-HM129814XD..	291, 393
HB-88508-AB	HB88508AB	126	HM133436-HM133413XD..	HM133436-HM133413XD..	292, 393
HB-88508-B	HB88508B	126	HM133436-HM133416XD..	HM133436-HM133416XD..	292, 394
HB-88508-C	HB88508C	126	HM136940-HM136916XD..	HM136940-HM136916XD..	294, 394
HB-88508-D	HB88508D	126	HM136948-HM136916XD..	HM136948-HM136916XD..	296, 394
HB-88508-E	HB88508E	126	HM212044-HM212011 ..	HM212044-HM212011 .	253, 394
HB-88509	HB88509	126	HM212046-HM212011 ..	HM212046-HM212011 .	255, 394
HB-88509-A	HB88509A	126	HM212047-HM212011 ..	HM212047-HM212011 .	255, 394
HB-88509B	HB88509B	126	HM212049-HM212010 ..	HM212049-HM212010 .	258, 394
HB-88509-C	HB88509C	126	HM212049-HM212011 ..	HM212049-HM212011 .	258, 394
HB-88510	HB88510	126	HM212049X-HM212011	HM212049X-HM212011..	258, 395
HB-88512-A	HB88512A	126	HM218238-HM218210 ..	HM218238-HM218210 .	269, 395
HB-88512-AHD	HB88512AHD	126	HM218248-HM218210 ..	HM218248-HM218210 .	276, 395
HB-88512-AS	HB88512AS	126	HM220149-HM220110 ..	HM220149-HM220110 .	280, 395
HB-9	HB9	128	HM231132-HM231110 ..	HM231132-HM231110 .	290, 396
HBD-206-FF	HBD206FF	126	HM231140-HM231111CD..	HM231140-HM231111CD..	292, 396
HH144642-HH144614	HH144642-HH144614	299, 394	HM231148-HM231110 ..	HM231148-HM231110 .	292, 396
HH221430-HH221410	HH221430-HH221410	268, 395	HM231148-HM231111CD..	HM231148-HM231111CD..	292, 396
HH221431-HH221410	HH221431-HH221410	269, 395	HM231149-HM231111CD..	HM231149-HM231111CD..	292, 396
HH221434-HH221410	HH221434-HH221410	276, 395	HM237532-HM237510 ..	HM237532-HM237510 .	293, 397
HH221440-HH221410	HH221440-HH221410	279, 395	HM237532-HM237510CD..	HM237532-HM237510CD..	294, 397
HH221449A-HH221410	HH221449A-HH221410..	281, 395	HM237535-HM237510 ..	HM237535-HM237510 .	294, 397
HH221449-HH221410	HH221449-HH221410	281, 395	HM237535-HM237510CD..	HM237535-HM237510CD..	294, 397
HH221449-HH221410B	HH221449-HH221410-B..	281, 395	HM237542-HM237510 ..	HM237542-HM237510 .	295, 397
HH224334-HH224310CD..	HH224334-HH224310CD..	280, 395	HM237542-HM237510CD..	HM237542-HM237510CD..	295, 397
HH224335-HH224310	HH224335-HH224310	281, 395	HM237545-HM237510 ..	HM237545-HM237510 .	296, 397
HH224335-HH224310CD..	HH224335-HH224310CD..	281, 396	HM237545-HM237510B	HM237545-HM237510-B..	296, 397
HH224340-HH224310CD..	HH224340-HH224310CD..	283, 396	HM237545-HM237510CD..	HM237545-HM237510CD..	296, 397
HH224346-HH224310	HH224346-HH224310	285, 396	HM237545-HM237513 ..	HM237545-HM237513 .	296, 398
HH224346-HH224310CD..	HH224346-HH224310CD..	285, 396	HM237546D-HM237510	HM237546D-HM237510..	297, 398
HH224349-HH224310CD..	HH224349-HH224310CD..	285, 396	HM237546D-HM237513	HM237546D-HM237513..	297, 398
HH228340-HH228310	HH228340-HH228310	286, 396	HM516442-HM516410 ..	HM516442-HM516410 .	266, 403
HH228349-HH228310	HH228349-HH228310	287, 396	HM516442-HM516414B	HM516442-HM516414-B..	266, 403
HH231637-HH231615	HH231637-HH231615	287, 397	HM516447-HM516414B	HM516447-HM516414-B..	270, 404
HH231649-HH231610	HH231649-HH231610	290, 397	HM516448-HM516410 ..	HM516448-HM516410 .	271, 404
HH231649-HH231615	HH231649-HH231615	290, 397	HM516448-HM516414B	HM516448-HM516414-B..	271, 404
HH234031-HH234010	HH234031-HH234010	290, 397	HM516449A-HM516410	HM516449A-HM516410..	271, 404
HH234048-HH234010	HH234048-HH234010	293, 397	HM516449C-HM516410	HM516449C-HM516410..	271, 404
HH234049-HH234010	HH234049-HH234010	293, 397	HM516449A-HM516414B..	HM516449A-HM516414-..	271, 404
HH249949-HH249910	HH249949-HH249910	305, 399	HM516449C-HM516414B..	HM516449C-HM516414-..	271, 404
HH249949-HH249910CD..	HH249949-HH249910CD..	305, 399	HM518445-HM518410 ..	HM518445-HM518410 .	275, 404
HH421246C-HH421210	HH421246C-HH421210..	280, 401	HM535349-HM535310 ..	HM535349-HM535310 .	295, 405
HH437549-HH437510	HH437549-HH437510	294, 401	HM617049-HM617010 ..	HM617049-HM617010 .	274, 406
HH506348-HH506310	HH506348-HH506310	238, 402	HM624749-HM624710 ..	HM624749-HM624710 .	286, 406
HH814547-HH814510	HH814547-HH814510	259, 410	HM746646-HM746610 ..	HM746646-HM746610 .	302, 409
HH840249-HH840210	HH840249-HH840210	298, 411	HM746646-HM746610CD..	HM746646-HM746610CD..	302, 409
HH914449-HH914412	HH914449-HH914412	258, 412	HM801346-HM801310 ..	HM801346-HM801310 .	223, 409
HH923649-HH923610	HH923649-HH923610	281, 412	HM801346X-HM801310	HM801346X-HM801310..	223, 409
HH923649-HH923611	HH923649-HH923611	281, 412	HM801349-HM801310 ..	HM801349-HM801310 .	226, 409
HH924349-HH924310D	HH924349-HH924310D..	284, 412	HM803145-HM803110 ..	HM803145-HM803110 .	228, 409
HH926744-HH926710	HH926744-HH926710	285, 412	HM803146-HM803110 ..	HM803146-HM803110 .	228, 409
HH926744-HH926716	HH926744-HH926716	285, 412	HM803146-HM803111 ..	HM803146-HM803111 .	228, 409
HH926749-HH926710	HH926749-HH926710	286, 413	HM803149-HM803110 ..	HM803149-HM803110 .	232, 409
HH932132-HH932110	HH932132-HH932110	287, 413	HM804840-HM804810 ..	HM804840-HM804810 .	228, 409
HH932145-HH932110	HH932145-HH932110	292, 413	HM804842-HM804810 ..	HM804842-HM804810 .	232, 409
HH932145-HH932115	HH932145-HH932115	292, 413	HM804843-HM804810 ..	HM804843-HM804810 .	232, 409
HH949549-HH949510	HH949549-HH949510	303, 413	HM804846-HM804810 ..	HM804846-HM804810 .	237, 409
HH949549-HH949510D	HH949549-HH949510D..	303, 413	HM804848-HM804810 ..	HM804848-HM804810 .	238, 409
HJ-223020	HJ223020	150	HM804848-HM804811 ..	HM804848-HM804811 .	238, 409
HK-1210	HK1210	98, 146	HM804849-HM804810 ..	HM804849-HM804810 .	238, 409
HK-1216	HK1216	146	HM807035-HM807010 ..	HM807035-HM807010 .	229, 410
HK-1512	HK1512	146	HM807035-HM807011 ..	HM807035-HM807011 .	229, 410

NUMERICAL INDEX BY INDUSTRY NUMBER

Industry No	Timken No	Page No.	Industry No	Timken No	Page No.
HM807040-HM807010 ..	HM807040-HM807010 .	234, 410	HPS-108-GPB	HPS108GPB	12
HM807044-HM807010 ..	HM807044-HM807010 .	238, 410	I-02135-C	I02135C	90
HM807046-HM807010 ..	HM807046-HM807010 .	244, 410	I-2005-C	I2005C	88
HM807048-HM807010 ..	HM807048-HM807010 .	247, 410	IA-02135-C	IA02135C	90
HM807049A-HM807010	HM807049A-HM807010..	246, 410	IB-02135-C	IB02135C	90
HM807049-HM807010 ..	HM807049-HM807010 .	246, 410	IB-2005-C	IB2005C	88
HM813839-HM813810 ..	HM813839-HM813810 .	252, 410	J1142039	J1142039	142
HM813840-HM813810 ..	HM813840-HM813810 .	248, 410	J1202026	J1202026	142
HM813841-HM813810 ..	HM813841-HM813810 .	253, 410	J1282446	J1282446	142
HM813842-HM813810 ..	HM813842-HM813810 .	255, 410	J16154-16283	J16154-16283	224, 351
HM813843-HM813810 ..	HM813843-HM813810 .	253, 410	J-201248	J201248	140
HM813844-HM813810 ..	HM813844-HM813810 .	258, 410	J-201632	J201632	140
HM813844-HM813811 ..	HM813844-HM813811 .	258, 410	J-201664	J201664	140
HM813849-HM813810 ..	HM813849-HM813810 .	263, 410	J-241232	J241232	140
HM81649-HM81610	HM81649-HM81610 ...	199, 386	J-241248	J241248	140
HM88542-HM88510	HM88542-HM88510 ...	213, 388	J-241256	J241256	140
HM88542-HM88511	HM88542-HM88511 ...	213, 388	J-241264	J241264	140
HM88542-HM88512	HM88542-HM88512 ...	213, 388	J-2416	J2416	150
HM88547-HM88510	HM88547-HM88510 ...	215, 388	J-241640	J241640	140
HM88630-HM88610	HM88630-HM88610 ...	206, 388	J-241644	J241644	140
HM88648-HM88610	HM88648-HM88610 ...	219, 388	J-241648	J241648	140
HM88648-HM88611AS .	HM88648-HM88611AS .	219, 388	J-241664	J241664	140
HM88649-HM88610	HM88649-HM88610 ...	216, 388	J-241676	J241676	140
HM89249-HM89210	HM89249-HM89210 ...	220, 388	J-241680	J241680	140
HM89440-HM89410	HM89440-HM89410 ...	213, 388	J-242064	J242064	140
HM89443-HM89410	HM89443-HM89410 ...	215, 389	J-261648	J261648	140
HM89444-HM89410	HM89444-HM89410 ...	215, 389	J-281224	J281224	140
HM89446-HM89410	HM89446-HM89410 ...	218, 389	J-281232	J281232	140
HM89448-HM89410	HM89448-HM89410 ...	220, 389	J-281248	J281248	140
HM89449-HM89410	HM89449-HM89410 ...	220, 389	J-281256	J281256	140
HM89449-HM89411	HM89449-HM89411 ...	220, 389	J-281632	J281632	140
HM903244-HM903210 ..	HM903244-HM903210 .	228, 411	J-281640	J281640	140
HM903245-HM903210 ..	HM903245-HM903210 .	228, 411	J-281648	J281648	140
HM903247-HM903210 ..	HM903247-HM903210 .	232, 411	J-281664	J281664	141
HM903249A-HM903210	HM903249A-HM903210..	232, 411	J-282032	J282032	141
HM903249-HM903210 ..	HM903249-HM903210 .	232, 411	J-282064	J282064	141
HM905843-HM905810 ..	HM905843-HM905810 .	234, 411	J28573-28527RB	J28573-28527RB	229, 357
HM907643-HM907614 ..	HM907643-HM907614 .	242, 411	J28577-28527RB	J28577-28527RB	235, 357
HM911242-HM911210 ..	HM911242-HM911210 .	246, 411	J-301248	J301248	141
HM911244-JHM911211 ..	HM911244-JHM911211..	252, 411	J-321232	J321232	141
HM911245-HM911210 ..	HM911245-HM911210 .	252, 411	J-321248	J321248	141
HM911245-JHM911211 ..	HM911245-JHM911211..	253, 411	J-321264	J321264	141
HM911245-HM911216 ..	HM911245-HM911216 .	253, 412	J-321632	J321632	141
HM914545-HM914510 ..	HM914545-HM914510 .	260, 412	J-321640	J321640	141
HM926740-HM926710 ..	HM926740-HM926710 .	284, 412	J-321648	J321648	141
HM926740-HM926710D	HM926740-HM926710D..	284, 412	J-321652	J321652	141
HM926747-HM926710 ..	HM926747-HM926710 .	287, 412	J-321664	J321664	141
HM926749-HM926710 ..	HM926749-HM926710 .	287, 413	J-321680	J321680	141
HN-1719-C	HN1719C	91	J-322064	J322064	141
HPC-011-GP	HPC011GP	10	J-322080	J322080	141
HPC-014-GP	HPC014GP	10	J-361632	J361632	141
HPC-100-GP	HPC100GP	10	J-361644	J361644	141
HPC-100-TPD	HPC100TPD	10	J-361648	J361648	141
HPC-102-GPE	HPC102GPE	12	J-361652	J361652	141
HPC-103-TP2	HPC103TPB	10	J-361656	J361656	141
HPC-104-TPA	HPC104TPA	12	J-361664	J361664	141
HPS-014-GP	HPS014GP	11	J-362048	J362048	141
HPS-100-GP	HPS100GP	11	J-401640	J401640	142
HPS-100-TPD	HPS100TPD	11	J-401648	J401648	142
HPS-100-TR	HPS100TR	11	J-401652	J401652	142
HPS-102-GPE	HPS102GPE	12	J-401656	J401656	142
HPS-102-GR	HPS102GR	11	J-401664	J401664	142
HPS-103-GP2	HPS103GPB	12	J-401672	J401672	142
HPS-103-TP2	HPS103TPB	12	J-401680	J401680	142
HPS-103-GP3	HPS103GPC	12	J-402048	J402048	142
HPS-104-GP	HPS104GP	11	J-402064	J402064	142
HPS-104-TR	HPS104TR	11	J-402464	J402464	142
HPS-106-GP	HPS106GP	11	J-402480	J402480	142
HPS-108-GPA	HPS108GPA	11	J-482040	J482040	142

NUMERICAL INDEX BY INDUSTRY NUMBER

Industry No	Timken No	Page No.	Industry No	Timken No	Page No.
J-482064	J482064	142	JM719149-JM719113	JM719149-JM719113	278, 408
J6392-6320	J6392-6320	256, 339	JM720249-JM720210	JM720249-JM720210	280, 408
J6392-J6327	J6392-J6327	256, 339	JM734445-JM734410	JM734445-JM734410	293, 408
J-662456	J662456	142	JM734449-JM734410	JM734449-JM734410	295, 408
J-782039	J782039	142	JM736149-JM736110	JM736149-JM736110	297, 408
J90354-J90748	J90354-J90748	276, 389	JM738249A-JM738210	JM738249A-JM738210	298, 408
JF7049A-JF7010	JF7049A-JF7010	262, 340	JM738249-JM738210	JM738249-JM738210	298, 408
JF7049-JF7010	JF7049-JF7010	262, 340	JM822049-JM822010	JM822049-JM822010	283, 411
JH-1416	JH1416	148	JP10044-JP10010	JP10044-JP10010	278, 344
JH-1612	JH1612	148	JP10044-JP10010B	JP10044-JP10010-B	278, 344
JH-1812	JH1812	148	JP10049-JP10010	JP10049-JP10010	280, 344
JH-1818	JH1818	148	JP10049-JP10010B	JP10049-JP10010-B	280, 344
JH211749A-JH211710	JH211749A-JH211710	256, 394	JP13049-JP13010	JP13049-JP13010	288, 345
JH211749-JH211710	JH211749-JH211710	256, 394	JP13049-JP13010B	JP13049-JP13010-B	288, 345
JH217249-JH217210	JH217249-JH217210	273, 395	JP14049-JP14010	JP14049-JP14010	291, 346
JH307749-JH307710	JH307749-JH307710	248, 400	JP16049-JP16010	JP16049-JP16010	293, 351
JH415647-JH415610	JH415647-JH415610	265, 401	JP17049-JP17010	JP17049-JP17010	295, 351
JH913848-JH913811	JH913848-JH913811	262, 412	JP18049-JP18010B	JP18049-JP18010-B	297, 352
JHM318448-JHM318410	JHM318448-JHM318410	276, 400	JP6049-JP6010	JP6049-JP6010	251, 338
JHM33449-JHM33410	JHM33449-JHM33410	203, 369	JP6049-JP6010B	JP6049-JP6010-B	251, 338
JHM516849-JHM516810	JHM516849-JHM516810	273, 404	JP7049-JP7010	JP7049-JP7010	261, 340
JHM522649-JHM522610	JHM522649-JHM522610	284, 405	JP7049-JP7010B	JP7049-JP7010-B	261, 340
JHM534149-JHM534110	JHM534149-JHM534110	295, 405	JP8049-JP8010	JP8049-JP8010	269, 340
JHM720249-JHM720210	JHM720249-JHM720210	280, 408	JP8049-JP8010B	JP8049-JP8010-B	269, 340
JHM807045-JHM807012	JHM807045-JHM807012	240, 410	JS-3549A-JS-3510	JS-3549A-JS-3510	219, 334
JHM840449-JHM840410	JHM840449-JHM840410	299, 411	JV-441419	JV441419	142
JHM88540-JHM88513	JHM88540-JHM88513	210, 388	JW4549-JW4510	JW4549-JW4510	235, 337
JL68145-L68110	JL68145-L68110	219, 383	JW5049-JW5010	JW5049-JW5010	240, 338
JL69345-JL69310	JL69345-JL69310	220, 384	JW5549-JW5510	JW5549-JW5510	248, 338
JL69348-JL69310	JL69348-JL69310	220, 384	JW6049-JW6010	JW6049-JW6010	252, 338
JL69349-JL69310	JL69349-JL69310	220, 384	JW7049-JW7010	JW7049-JW7010	262, 340
JL724348-JL724314	JL724348-JL724314	285, 408	JW8049-JW8010	JW8049-JW8010	269, 340
JL724348-JL724314B	JL724348-JL724314-B	285, 408	L102849-L102810	L102849-L102810	231, 391
JL725346-JL725316	JL725346-JL725316	286, 408	L116149-L116110	L116149-L116110	270, 393
JL730646-JL730612	JL730646-JL730612	292, 408	L116149-L116110D	L116149-L116110D	270, 393
JL730646-JL730612B	JL730646-JL730612-B	292, 408	L21549-L21511	L21549-L21511	199, 353
JL819349-JL819310	JL819349-JL819310	278, 411	L217845D-L217810	L217845D-L217810	274, 395
JLM104942A-LM104911A	JLM104942A-LM104911A	238, 392	L217849-L217810	L217849-L217810	275, 395
JLM104945-LM104911A	JLM104945-LM104911A	239, 392	L217849-L217810D	L217849-L217810D	275, 395
JLM104946-LM104911A	JLM104946-LM104911A	239, 392	L225842-L225810	L225842-L225810	286, 396
JLM104948-LM104910	JLM104948-LM104910	239, 392	L225849-L225810	L225849-L225810	286, 396
JLM104948-LM104911A	JLM104948-LM104911A	239, 392	L225849-L225818	L225849-L225818	286, 396
JLM506849A-JLM506810	JLM506849A-JLM506810	247, 402	L305649-L305610	L305649-L305610	240, 400
JLM506849-JLM506810	JLM506849-JLM506810	247, 402	L305649-L305610B	L305649-L305610-B	240, 400
JLM506849A-JLM506811	JLM506849A-JLM506811	247, 402	L319249-L319210	L319249-L319210	278, 400
JLM508748-JLM508710	JLM508748-JLM508710	251, 402	L327249-L327210	L327249-L327210	288, 400
JLM603048F-JLM603013	JLM603048F-JLM603013	234, 406	L420449-L420410	L420449-L420410	280, 401
JLM704649-JLM704610	JLM704649-JLM704610	239, 406	L432349-L432310	L432349-L432310	293, 401
JLM710949C-JLM710910	JLM710949C-JLM710910	256, 406	L435049-L435010	L435049-L435010	295, 401
JLM714149-JLM714110	JLM714149-JLM714110	264, 406	L44640-L44610	L44640-L44610	202, 374
JLM722948-JLM722912	JLM722948-JLM722912	285, 408	L44642-L44610	L44642-L44610	205, 374
JLM722948-JLM722912B	JLM722948-JLM722912	285, 408	L44643-L44610	L44643-L44610	205, 374
JLM813049-JLM813010	JLM813049-JLM813010	261, 410	L44649-L44610	L44649-L44610	207, 375
JLM820048-JLM820012	JLM820048-JLM820012	280, 411	L45449-L45410	L45449-L45410	209, 375
JM205149A-JM205110	JM205149A-JM205110	240, 394	L507945-L507910	L507945-L507910	245, 402
JM205149-JM205110	JM205149-JM205110	240, 394	L507949-L507910	L507949-L507910	248, 402
JM207049A-JM207010	JM207049A-JM207010	247, 394	L507949-L507910B	L507949-L507910-B	248, 402
JM207049-JM207010	JM207049-JM207010	247, 394	L521945-L521910	L521945-L521910	280, 404
JM511945-JM511910	JM511945-JM511910	256, 402	L521949-L521910	L521949-L521910	282, 404
JM511946-JM511910	JM511946-JM511910	256, 402	L521949-L521914	L521949-L521914	282, 404
JM515649-JM515610	JM515649-JM515610	269, 403	L540048-L540010	L540048-L540010	299, 405
JM612949-JM612910	JM612949-JM612910	261, 406	L540049-L540010	L540049-L540010	299, 405
JM714249A-JM714210	JM714249A-JM714210	264, 407	L540049-L540010D	L540049-L540010D	299, 405
JM714249-JM714210	JM714249-JM714210	264, 407	L610549-L610510	L610549-L610510	254, 406
JM716648-JM716610	JM716648-JM716610	273, 407	L623149-L623110	L623149-L623110	284, 406
JM716649-JM716610	JM716649-JM716610	273, 407	L624549-L624510	L624549-L624510	285, 406
JM716649-JM716610B	JM716649-JM716610-B	273, 407	L624549-L624510B	L624549-L624510-B	285, 406
JM718149A-JM718110	JM718149A-JM718110	276, 407	L630349-L630310	L630349-L630310	292, 406
JM718149-JM718110	JM718149-JM718110	276, 407	L630349-L630310B	L630349-L630310-B	292, 406

NUMERICAL INDEX BY INDUSTRY NUMBER

Industry No	Timken No	Page No.	Industry No	Timken No	Page No.
L68149-L68111	L68149-L68111	218, 383	LM545849-LM545810 ...	LM545849-LM545810	303, 405
L713049-L713010	L713049-L713010	260, 406	LM603049-LM603011 ...	LM603049-LM603011	235, 406
L730649-L730610	L730649-L730610	292, 408	LM603049-LM603012 ...	LM603049-LM603012	235, 406
L812148-L812111	L812148-L812111	257, 410	LM603049-LM603014 ...	LM603049-LM603014	235, 406
L814749-L814710	L814749-L814710	265, 410	LM613449-LM613410 ...	LM613449-LM613410	260, 406
L848849-L848810	L848849-L848810	305, 411	LM67048-LM67010	LM67048-LM67010	211, 381
LL103049-LL103010	LL103049-LL103010 ..	230, 392	LM67049A-LM67010	LM67049A-LM67010 ..	211, 381
LL103049-LL103010B ...	LL103049-LL103010-B .	231, 392	LM718947-LM718910 ...	LM718947-LM718910	277, 407
LL205449-LL205410	LL205449-LL205410 ..	240, 394	LM72849-LM72810	LM72849-LM72810	202, 385
LL217849-LL217810	LL217849-LL217810 ..	275, 395	LM739749-LM739710 ...	LM739749-LM739710	299, 408
LL225749-LL225710	LL225749-LL225710 ..	286, 396	LM739749-LM739710CD .	LM739749-LM739710CD..	299, 408
LL244549-LL244510	LL244549-LL244510 ..	303, 399	LM739749-LM739719 ...	LM739749-LM739719	299, 408
LL319349-LL319310	LL319349-LL319310 ..	278, 400	LM742745-LM742710 ...	LM742745-LM742710	301, 408
LL420549-LL420510	LL420549-LL420510 ..	280, 401	LM742745-LM742710CD .	LM742745-LM742710CD..	301, 408
LL428349-LL428310	LL428349-LL428310 ..	290, 401	LM742749DW-LM742710..	LM742749DW-LM742710..	301, 409
LL510749-LL510710	LL510749-LL510710 ..	254, 402	LM742749-LM742710 ...	LM742749-LM742710	301, 408
LL52549-LL52510	LL52549-LL52510	202, 378	LM742749-LM742710B .	LM742749-LM742710-B..	301, 409
LL529749-LL529710	LL529749-LL529710 ..	291, 405	LM742749-LM742710CD .	LM742749-LM742710CD..	301, 409
LL537649-LL537610	LL537649-LL537610 ..	297, 405	LM78349A-LM78310A ...	LM78349A-LM78310A	218, 386
LL639249-LL639210	LL639249-LL639210 ..	299, 406	LM78349-LM78310A	LM78349-LM78310A ..	218, 386
LL641148-LL641110	LL641148-LL641110 ..	300, 406	LM78349-LM78310C	LM78349-LM78310C ..	218, 386
LL641149-LL641110	LL641149-LL641110 ..	299, 406	LM806649-LM806610 ...	LM806649-LM806610	245, 410
LL713149-LL713110	LL713149-LL713110 ..	260, 406	LM814849-LM814810 ...	LM814849-LM814810	268, 411
LL714649-LL714610	LL714649-LL714610 ..	265, 407	LM814849-LM814810B .	LM814849-LM814810-B..	268, 411
LM102949-LM102910 ...	LM102949-LM102910	235, 391	LM844049-LM844010 ...	LM844049-LM844010	302, 411
LM102949CP-LM102911 .	LM102949CP-LM102911..	235, 391	LS-10	LS10	50
LM102949-LM102911 ...	LM102949-LM102911 ...	235, 391	LS-9	LS9	50
LM102949P-LM102911 .	LM102949P-LM102911..	235, 391	M-1010-EAHL	M1010EAHL	111, 117
LM104947A-LM104911 .	LM104947A-LM104911..	238, 392	M-1012-CA	M1012CA	115, 117
LM104947A-LM104911A .	LM104947A-LM104911A..	238, 392	M-1013-DAH	M1013DAH	115, 117
LM104949-LM104911 ...	LM104949-LM104911	241, 392	M-1013-S	M1013S	115, 117
LM104949-LM104911A .	LM104949-LM104911A..	241, 392	M-1013-W	M1013W	115, 117
LM104949P-LM104911A .	LM104949P-LM104911A..	241, 392	M11048-M111012	M111048-M111012	254, 392
LM104949-LM104912 ...	LM104949-LM104912	241, 392	M-1204-TV	M1204TV	105, 117
LM11749-LM11710	LM11749-LM11710	200, 344	M-1206-EAHL	M1206EAHL	108, 117
LM11949-LM11910	LM11949-LM11910	200, 344	M-1207-EAHL	M1207EAHL	109, 118
LM121349-LM121310	LM121349-LM121310 ...	282, 393	M-1210-EAHL	M1210EAHL	112, 118
LM122948-LM122911	LM122948-LM122911	284, 393	M-1210-EX	M1210EX	112, 118
LM12749-LM12710	LM12749-LM12710	201, 345	M-1212-EL	M1212EL	113, 118
LM12749-LM12711	LM12749-LM12711	202, 345	M-1213-CAH	M1213CAH	116, 119
LM229140C-LM229110 .	LM229140C-LM229110..	289, 396	M12648-M12610	M12648-M12610	202, 345
LM229147C-LM229110 .	LM229147C-LM229110..	291, 396	M12649-M12610	M12649-M12610	201, 345
LM236749-LM236710A .	LM236749-LM236710A..	297, 397	M-1304-EL	M1304EL	105, 119
LM241149-LM241110 ...	LM241149-LM241110 ...	299, 398	M-1304-TBV	M1304TBV	106, 119
LM241149-LM241110D .	LM241149-LM241110D..	300, 398	M-1305-GEL	M1305GEL	106, 119
LM245149DW-LM245110..	LM245149DW-LM245110..	303, 399	M-1305-GGTV	M1305GGTV	106, 119
LM247748D-LM247710 .	LM247748D-LM247710..	304, 399	M-1308-EL	M1308EL	110, 120
LM29748-LM29710	LM29748-LM29710	221, 359	M-1308-SAH	M1308SAH	114, 120
LM29749-LM29710	LM29749-LM29710	221, 359	M-1309-DHB	M1309DHB	115, 120
LM29749-LM29711	LM29749-LM29711	221, 359	M-1309-SH	M1309SH	115, 120
LM300848-LM300811 ...	LM300848-LM300811	226, 400	M-1311-SH	M1311SH	116, 121
LM300849-LM300811 ...	LM300849-LM300811	226, 400	M-1312-EHL	M1312EHL	114, 121
LM328448-LM328410 ...	LM328448-LM328410	290, 400	M-1313-EAHL	M1313EAHL	114, 121
LM330448-LM330410 ...	LM330448-LM330410	292, 400	M-1313-EHX	M1313EHX	114, 121
LM446349-LM446310 ...	LM446349-LM446310	303, 402	M-1625-C	M1625C	87
LM446349-LM446310D .	LM446349-LM446310D..	303, 402	M-18161	M18161	148
LM48548A-LM48510	LM48548A-LM48510 ..	215, 377	M201047-M201011	M201047-M201011	224, 394
LM48548-LM48510	LM48548-LM48510	215, 377	M201047-S-M201011 ...	M201047-S-M201011 .	224, 394
LM501349-LM501310	LM501349-LM501310 ...	227, 402	M224749-M224710	M224749-M224710 ...	286, 396
LM501349-LM501314 ...	LM501349-LM501314	227, 402	M224749-M224710D	M224749-M224710D ..	286, 396
LM503349A-LM503310 .	LM503349A-LM503310..	236, 402	M224749-M224711	M224749-M224711	286, 396
LM503349-LM503310 ...	LM503349-LM503310	236, 402	M229349-M229310	M229349-M229310	291, 396
LM522546-LM522510 ...	LM522546-LM522510 ...	282, 404	M231648-M231610	M231648-M231610	293, 397
LM522546-LM522510D .	LM522546-LM522510D..	282, 404	M231649-M231610	M231649-M231610	293, 397
LM522548-LM522510 ...	LM522548-LM522510 ...	283, 405	M235145-M235113	M235145-M235113	294, 397
LM522548-LM522510D .	LM522548-LM522510D..	283, 405	M236845-M236810	M236845-M236810	295, 397
LM522549-LM522510 ...	LM522549-LM522510	283, 405	M236848-M236810	M236848-M236810	296, 397
LM522549-LM522510D .	LM522549-LM522510D..	283, 405	M236849-M236810	M236849-M236810	296, 397
LM545848-LM545810 ...	LM545848-LM545810	303, 405	M238840-M238810	M238840-M238810	296, 398

NUMERICAL INDEX BY INDUSTRY NUMBER

Industry No	Timken No	Page No.	Industry No	Timken No	Page No.
M238849-M238810	M238849-M238810	297, 398	MA-1305-EL	MA1305EL	105, 119
M241543-M241510	M241543-M241510	299, 398	MA-1305-TV	MA1305TV	105, 119
M241543-M241510CD ..	M241543-M241510CD .	299, 398	MA-1306-EL	MA1306EL	106, 119
M241547-M241510	M241547-M241510	300, 398	MA-1307-EL	MA1307EL	107, 120
M241547-M241510CD ..	M241547-M241510CD .	300, 398	MA-1308-TV	MA1308TV	108, 120
M241549-M241510	M241549-M241510	300, 398	MA-1309-EL	MA1309EL	110, 120
M241549-M241510CD ..	M241549-M241510CD .	300, 398	MA-1310-EL	MA1310EL	110, 121
M244249DW-M244210 .	M244249DW-M244210..	302, 399	MA-1311-EL	MA1311EL	111, 121
M244249-M244210	M244249-M244210	302, 399	MA-1312-EL	MA1312EL	112, 121
M244249-M244210CD ..	M244249-M244210CD .	302, 399	MA-1313-EHL	MA1313EHL	112, 121
M246942-M246910	M246942-M246910	303, 399	MA-1313-EL	MA1313EL	113, 121
M246949-M246910	M246949-M246910	304, 399	MA-1315-EAHL	MA1315EAHL	114, 122
M249732-M249710	M249732-M249710	302, 399	MA-1315-EL	MA1315EL	114, 122
M249732-M249710CD ..	M249732-M249710CD .	302, 399	MA-1316-EL	MA1316EL	114, 122
M249734-M249710	M249734-M249710	303, 399	MA-5205-EL	MA5205EL	105, 123
M252330-M252310	M252330-M252310	303, 400	MA-5206-EL	MA5206EL	106, 123
M252330-M252310CD ..	M252330-M252310CD .	303, 400	MA-5207-EL	MA5207EL	107, 123
M252337-M252310	M252337-M252310	305, 400	MA-5208-EL	MA5208EL	108, 123
M252337-M252310CD ..	M252337-M252310CD .	305, 400	MA-5209-EL	MA5209EL	109, 123
M-28161	M28161	151	MA-5210-EL	MA5210EL	110, 123
M-303	M303	66	MA-5211-EHL	MA5211EHL	111, 123
M-32161	M32161	152	MA-5211-EX	MA5211EX	111, 123
M348449-M348410	M348449-M348410	305, 400	MA-5212-EL	MA5212EL	112, 123
M38545-M38510	M38545-M38510	214, 372	MA-5213-EX	MA5213EX	112, 124
M38549-M38510	M38549-M38510	216, 372	MA-5214-EL	MA5214EL	113, 124
M514546-M514512	M514546-M514512	263, 403	MA-5215-EX	MA5215EX	114, 124
M-5204-TV	M5204TV	105, 123	MA-5216-EX	MA5216EX	114, 124
M-5305-TV	M5305TV	106, 124	MA-5217-EL	MA5217EL	114, 124
M-5310-EL	M5310EL	113, 124	MA-5217-EX	MA5217EX	114, 124
M533349-S-M533310	M533349-S-M533310 .	294, 405	MA-5218-EHV	MA5218EHV	115, 124
M541349-M541310CD ..	M541349-M541310CD .	300, 405	MA-5219-EL	MA5219EL	115, 124
M-6207-EL	M6207EL	109, 124	MA-5220-EX	MA5220EX	115, 124
M-7308-EAHL	M7308EAHL	110, 124	MA-5222-EL	MA5222EL	116, 124
M802048-M802011	M802048-M802011	228, 409	MA-5224-EL	MA5224EL	116, 124
M804048-M804010	M804048-M804010	237, 409	MA-5226-EX	MA5226EX	116, 124
M804049-M804010	M804049-M804010	237, 409	MA-5306-EL	MA5306EL	106, 124
M84249-M84210	M84249-M84210	206, 387	MA-5307-EL	MA5307EL	107, 124
M84548-M84510	M84548-M84510	205, 387	MA-5313-EL	MA5313EL	113, 124
M84549-M84510	M84549-M84510	207, 387	MAB-1212-EAHL	MAB1212EAHL	112, 118
M86643-M86610	M86643-M86610	206, 387	MAB-1212-EHL	MAB1212EHL	112, 118
M86647-M86610	M86647-M86610	208, 387	MAB-1212-EL	MAB1212EL	112, 118
M86648A-M86610	M86648A-M86610	211, 387	MAB-1217-EL	MAB1217EL	114, 119
M86649-M86610	M86649-M86610	210, 387	MAB-1307-EL	MAB1307EL	107, 120
M88043-M88010	M88043-M88010	210, 387	MAR-5209	MAR5209	109, 123
M88043-M88011	M88043-M88011	210, 388	MB-1212-GEXR	MB1212GEXR	111, 118
M88043-M88012	M88043-M88012	210, 388	MG-206-FFA	MG206FFA	144
M88043-M88022	M88043-M88022	210, 388	MG-206-FFH	MG206FFH	144
M88047-M88010	M88047-M88010	214, 388	MG-206-FFU	MG206FFU	144
M88047-M88011	M88047-M88011	214, 388	MG-207-FFA	MG207FFA	144
M88047-M88012	M88047-M88012	214, 388	MG-207-FFB	MG207FFB	144
M88047-M88022	M88047-M88022	214, 388	MG-207-FFH	MG207FFH	144
M88048-M88010	M88048-M88010	214, 388	MG-207-FFJ	MG207FFJ	144
M903345-M903310	M903345-M903310	227, 411	MG-207-FFK	MG207FFK	144
MA-1205-EL	MA1205EL	105, 117	MG-208-FFA	MG208FFA	144
MA-1205-TV	MA1205TV	105, 117	MG-208-FFH	MG208FFH	144
MA-1206-EF	MA1206EF	106, 117	MG-208-FFJ	MG208FFJ	144
MA-1207-EL	MA1207EL	107, 118	MG-208-FFK	MG208FFK	144
MA-1208-EL	MA1208EL	108, 118	MG-209-DD	MG209DD	144
MA-1209-EL	MA1209EL	109, 118	MG-305-DD	MG305DD	143
MA-1210-EL	MA1210EL	110, 118	MG-305-DDA	MG305DDA	143
MA-1211-EL	MA1211EL	110, 118	MG-305-DDB	MG305DDB	144
MA-1211-GEL	MA1211GEL	111, 118	MG-306-DD	MG306DD	143
MA-1212-EL	MA1212EL	111, 118	MG-306-DDB	MG306DDB	143
MA-1213-EL	MA1213EL	112, 119	MG-307-FFA	MG307FFA	143
MA-1214-EL	MA1214EL	113, 119	MG-307-FFB	MG307FFB	144
MA-1215-EL	MA1215EL	114, 119	MG-307-FFE	MG307FFE	144
MA-1216-EL	MA1216EL	114, 119	MG-307-FFH	MG307FFH	143
MA-1217-EL	MA1217EL	114, 119	MG-307-FFK	MG307FFK	143
MA-1218-EL	MA1218EL	115, 119	MG-307-FFM	MG307FFM	144

NUMERICAL INDEX BY INDUSTRY NUMBER

Industry No	Timken No	Page No.	Industry No	Timken No	Page No.
MG-307-FFP	MG307FFP	144	MR-5206-EL	MR5206EL	106, 123
MG-308-FFA	MG308FFA	143	MR-5208-EL	MR5208EL	108, 123
MG-308-FFB	MG308FFB	143	MR-5209-EL	MR5209EL	109, 123
MG-308-FFHM	MG308FFHM	143	MR-5211-EHL	MR5211EHL	111, 123
MG-309-DDA	MG309DDA	143	MR-5211-EL	MR5211EL	111, 123
MG-309-DDB	MG309DDB	144	MR-5212-EL	MR5212EL	112, 124
MG-311-FF	MG311FF	143	MR-7309-EAHL	MR7309EAHL	110, 124
MG-311-FFA	MG311FFA	143	MRB-1015-EAHL	MRB1015EAHL	114, 117
MG-311-ZZA	MG311ZZA	143	MRB-1308-EL	MRB1308EL	106, 120
MG-5208-VFF	MG5208VFF	144	MRB-1308-TV	MRB1308TV	106, 120
MG-5208-VFFA	MG5208VFFA	144	MRB-1312-EL	MRB1312EL	112, 121
MG-5208-VFFE	MG5208VFFE	144	MRB-1313-EL	MRB1313EL	113, 121
MG-5211-VFFA	MG5211VFFA	143	MRB-1315-EAHL	MRB1315EAHL	113, 122
MG-5211-VR	MG5211VR	143	MRB-1315-EL	MRB1315EL	113, 122
MG-5311-VFFA	MG5311VFFA	144	MRB-1316-EHL	MRB1316EHL	114, 122
MG-5311-VZZA	MG5311VZZA	144	MRB-7309	MRB7309	108, 124
MNJ-471-S	MNJ471S	147	MRB-7313-EAHL	MRB7313EAHL	113, 124
MR-1012-EAHL	MR1012EAHL	111, 117	MRB-7315-EAHL	MRB7315EAHL	114, 124
MR-1014-EAHL	MR1014EAHL	113, 117	MRD-1313-EL	MRD1313EL	112, 121
MR-1205-EL	MR1205EL	105, 117	MS-1012	MS1012	111, 117
MR-1206-EL	MR1206EL	106, 117	MS-1017-EAHL	MS1017EAHL	114, 117
MR-1206-GEL	MR1206GEL	106, 117	MS-1210	MS1210	110, 118
MR-1206-RUGV	MR1206RUGV	106, 117	MS-1309-GEXR	MS1309GEXR	110, 120
MR-1207-EL	MR1207EL	107, 118	MSN-1211-REX	MSN1211REX	111, 118
MR-1208-EL	MR1208EL	108, 118	MSN-1212-GEXR	MSN1212GEXR	112, 119
MR-1209-EL	MR1209EL	109, 118	MSN-1213-GEJR	MSN1213GEJR	112, 119
MR-1210-EL	MR1210EL	110, 118	MSN-1309-GEXR	MSN1309GEXR	110, 120
MR-1211-EL	MR1211EL	111, 118	MSN-1310-EAJ	MSN1310EAJ	110, 121
MR-1211-GEL	MR1211GEL	111, 118	MSN-1311-GELR	MSN1311GELR	111, 121
MR-1212-EHL	MR1212EHL	111, 119	MSN-1312-EL	MSN1312EL	112, 121
MR-1212-EL	MR1212EL	111, 119	MSN-1314-GELR	MSN1314GELR	113, 122
MR-1213-EL	MR1213EL	112, 119	MSNB-1312-GELR	MSNB1312GELR	111, 121
MR-1215-EL	MR1215EL	114, 119	MSNB-5305-GTBV	MSNB5305GTBV	105, 124
MR-1216-EL	MR1216EL	114, 119	MU-1010-V	MU1010V	110, 117
MR-1218-EL	MR1218EL	115, 119	MU-1013-DAV	MU1013DAV	112, 117
MR-1220-EL	MR1220EL	115, 119	MU-1013-SWV	MU1013SWV	112, 117
MR-1305-EL	MR1305EL	105, 119	MU-1015-DAHV	MU1015DAHV	114, 117
MR-1306-EL	MR1306EL	106, 119	MU-1015-DBV	MU1015DBV	114, 117
MR-1307-EAHL	MR1307EAHL	107, 120	MU-1015-DCV	MU1015DCV	114, 117
MR-1307-EBX	MR1307EBX	107, 120	MU-1016-SWL	MU1016SWL	114, 117
MR-1307-EL	MR1307EL	107, 120	MU-1026-DHL	MU1026DHL	116, 117
MR-1307-EX	MR1307EX	107, 120	MU-1204-JA	MU1204JA	105, 117
MR-1308-EAL	MR1308EAL	108, 120	MU-1205-L	MU1205L	105, 117
MR-1308-EHL	MR1308EHL	108, 120	MU-1205-TM	MU1205TM	105, 117
MR-1308-EJ	MR1308EJ	108, 120	MU-1206-L	MU1206L	106, 118
MR-1308-EL	MR1308EL	108, 120	MU-1206-TM	MU1206TM	106, 118
MR-1308-GEL	MR1308GEL	108, 120	MU-1206-UGV	MU1206UGV	106, 118
MR-1308-TV	MR1308TV	108, 120	MU-1207-CF	MU1207CF	107, 118
MR-1309-EAL	MR1309EAL	110, 120	MU-1207-TM	MU1207TM	107, 118
MR-1309-EHL	MR1309EHL	110, 120	MU-1207-TV	MU1207TV	107, 118
MR-1309-EL	MR1309EL	110, 120	MU-1207-TVK	MU1207TVK	107, 118
MR-1310-EX	MR1310EX	110, 121	MU-1207-UGV	MU1207UGV	107, 118
MR-1311-EAHL	MR1311EAHL	111, 121	MU-1208-DAL	MU1208DAL	108, 118
MR-1311-EL	MR1311EL	111, 121	MU-1208-L	MU1208L	108, 118
MR-1311-GTAVR	MR1311GTAVR	111, 121	MU-1208-TM	MU1208TM	108, 118
MR-1312-EHL	MR1312EHL	111, 121	MU-1208-UV	MU1208UV	108, 118
MR-1312-EL	MR1312EL	112, 121	MU-1209-CAHV	MU1209CAHV	109, 118
MR-1312-GEALR	MR1312GEALR	112, 121	MU-1209-TM	MU1209TM	109, 118
MR-1313-EAHL	MR1313EAHL	113, 121	MU-1209-TV	MU1209TV	109, 118
MR-1313-EJ	MR1313EJ	113, 121	MU-1209-UBM	MU1209UBM	109, 118
MR-1313-EL	MR1313EL	113, 122	MU-1211-GUM	MU1211GUM	111, 118
MR-1314-EHL	MR1314EHL	113, 122	MU-1212-DAL	MU1212DAL	112, 119
MR-1314-EL	MR1314EL	113, 122	MU-1213-L	MU1213L	112, 119
MR-1317-EHL	MR1317EHL	115, 122	MU-1214-DAL	MU1214DAL	113, 119
MR-1317-EL	MR1317EL	115, 122	MU-1215-TM	MU1215TM	114, 119
MR-1318-EHX	MR1318EHX	115, 122	MU-1218-TDHM	MU1218TDHM	115, 119
MR-1926-EAHL	MR1926EAHL	116, 123	MU-1218-TM	MU1218TM	115, 119
MR-5106-EV	MR5106EV	106, 123	MU-1221-UM	MU1221UM	116, 119
MR-5205-EL	MR5205EL	105, 123	MU-1280-GUMR	MU1280GUMR	108, 119

NUMERICAL INDEX BY INDUSTRY NUMBER

Industry No	Timken No	Page No.	Industry No	Timken No	Page No.
MU-1305-TCM	MU1305TCM	105, 119	MUB-7309-UM	MUB7309UM	109, 124
MU-1305-TDM	MU1305TDM	105, 119	MUC-1308-J	MUC1308J	108, 120
MU-1305-TM	MU1305TM	105, 119	MUC-1309-UM	MUC1309UM	108, 120
MU-1306-TDM	MU1306TDM	106, 119	MUS-1307-UM	MUS1307UM	106, 120
MU-1306-UGV	MU1306UGV	106, 119	MUS-1308-UM	MUS1308UM	107, 120
MU-1306-UM	MU1306UM	106, 119	MUS-1309-TM	MUS1309TM	108, 121
MU-1306-UV	MU1306UV	106, 119	MUSB-1307-UM	MUSB1307UM	106, 120
MU-1307-DV	MU1307DV	107, 120	MUSB-7307-UM	MUSB7307UM	106, 124
MU-1307-TM	MU1307TM	107, 120	N-1211-L	N1211L	76
MU-1307-UM	MU1307UM	107, 120	N-1307-L	N1307L	80
MU-1308-CHL	MU1308CHL	108, 120	N-1308-LOB	N1308LOB	80
MU-1308-GUMBR	MU1308GUMBR	109, 120	N-207-X3	N207XE	61
MU-1308-GUMR	MU1308GUMR	108, 120	N-307-LOE	N307LOE	66
MU-1308-TV	MU1308TV	108, 120	N-308-LOB	N308LOB	66
MU-1308-UM	MU1308UM	108, 120	N-309-L	N309L	66
MU-1309-CAHV	MU1309CAHV	110, 120	N-310-L	N310L	66
MU-1309-CHV	MU1309CHV	110, 120	NH-1752-C	NH1752C	88
MU-1309-CV	MU1309CV	110, 120	NP005797	NP005797	414
MU-1309-DAV	MU1309DAV	110, 121	NP006115	NP006115	414
MU-1309-SGNV	MU1309SGNV	110, 121	NP006327	NP006327	414
MU-1309-SHNV	MU1309SHNV	110, 121	NP007430	NP007430	414
MU-1309-UGM	MU1309UGM	110, 121	NP013743	NP013743	414
MU-1309-UM	MU1309UM	110, 121	NP016286	NP016286	414
MU-1309-UV	MU1309UV	110, 121	NP016656	NP016656	414
MU-1310-UM	MU1310UM	110, 121	NP022042	NP022042	414
MU-1310-UV	MU1310UV	110, 121	NP022333	NP022333	414
MU-1311-CHV	MU1311CHV	111, 121	NP026773	NP026773	414
MU-1311-UGMR	MU1311UGMR	111, 121	NP030857	NP030857	414
MU-1311-UM	MU1311UM	111, 121	NP034946	NP034946	414
MU-1311-UV	MU1311UV	111, 121	NP037463	NP037463	414
MU-1311-V	MU1311V	111, 121	NP043905	NP043905	414
MU-1312-CHV	MU1312CHV	112, 121	NP050871	NP050871	414
MU-1312-DV	MU1312DV	112, 121	NP052626	NP052626	414
MU-1312-TM	MU1312TM	112, 121	NP053874	NP053874	415
MU-1312-UM	MU1312UM	112, 121	NP057427	NP057427	415
MU-1313-CHL	MU1313CHL	113, 122	NP064206	NP064206	415
MU-1313-CHV	MU1313CHV	113, 122	NP064306	NP064306	415
MU-1313-CHWL	MU1313CHWL	113, 122	NP064953	NP064953	415
MU-1313-UM	MU1313UM	113, 122	NP069631	NP069631	415
MU-1313-V	MU1313V	112, 122	NP076564	NP076564	415
MU-1314-CHSV	MU1314CHSV	113, 122	NP084661	NP084661	415
MU-1314-DAHV	MU1314DAHV	113, 122	NP101379	NP101379	415
MU-1314-UM	MU1314UM	113, 122	NP101912	NP101912	415
MU-1317-DAHL	MU1317DAHL	115, 122	NP102036	NP102036	415
MU-1921-DAHV	MU1921DAHV	116, 123	NP105857	NP105857	415
MU-1922-DAHV	MU1922DAHV	116, 123	NP107783	NP107783	415
MU-1924-DAHV	MU1924DAHV	116, 123	NP108340	NP108340	415
MU-1926-DAHV	MU1926DAHV	116, 123	NP108543	NP108543	415
MU-1934-DEV	MU1934DEV	116, 123	NP111385	NP111385	415
MU-5205-CL	MU5205CL	105, 123	NP111741	NP111741	416
MU-5206-L	MU5206L	106, 123	NP113015	NP113015	416
MU-5207-CL	MU5207CL	107, 123	NP113645	NP113645	416
MU-5207-UM	MU5207UM	107, 123	NP114036	NP114036	416
MU-5208-UM	MU5208UM	108, 123	NP116172	NP116172	416
MU-7306-L	MU7306L	106, 124	NP117885	NP117885	416
MU-7308-L	MU7308L	108, 124	NP120899	NP120899	416
MU-7313-CHLB	MU7313CHLB	113, 124	NP122729	NP122729	416
MU-7314-CAHBL	MU7314CAHBL	113, 124	NP122954	NP122954	416
MUB-1207-TM	MUB1207TM	107, 118	NP125626	NP125626	416
MUB-1305-TDM	MUB1305TDM	105, 119	NP129939	NP129939	416
MUB-1305-UDM	MUB1305UDM	105, 119	NP130281	NP130281	416
MUB-1307-UBM	MUB1307UBM	107, 120	NP130380	NP130380	416
MUB-1308-UM	MUB1308UM	107, 120	NP134527	NP134527	416
MUB-1309-UM	MUB1309UM	110, 120	NP138708	NP138708	416
MUB-1956-V	MUB1956V	110, 123	NP142006	NP142006	416
MUB-5204-TM	MUB5204TM	105, 123	NP145100	NP145100	417
MUB-5205-UM	MUB5205UM	105, 123	NP153717	NP153717	417
MUB-5206-UM	MUB5206UM	106, 123	NP156827	NP156827	417
MUB-7307-UM	MUB7307UM	107, 124	NP159006	NP159006	417

NUMERICAL INDEX BY INDUSTRY NUMBER

Industry No	Timken No	Page No.	Industry No	Timken No	Page No.
NP159648	NP159648	417	NP362252	NP362252	421
NP160764	NP160764	417	NP363298	NP363298	421
NP168674	NP168674	417	NP363867	NP363867	421
NP172939	NP172939	417	NP366890	NP366890	421
NP174018	NP174018	417	NP372019	NP372019	421
NP174964	NP174964	417	NP372938	NP372938	421
NP177400	NP177400	417	NP376271	NP376271	421
NP177778	NP177778	417	NP378089	NP378089	422
NP178207	NP178207	417	NP378092	NP378092	422
NP179928	NP179928	417	NP379418	NP379418	422
NP182140	NP182140	417	NP379811	NP379811	422
NP183151	NP183151	417	NP380290	NP380290	422
NP188393	NP188393	418	NP390451	NP390451	422
NP193660	NP193660	418	NP392358	NP392358	422
NP197868	NP197868	418	NP393593	NP393593	422
NP198625	NP198625	418	NP401046	NP401046	422
NP201062	NP201062	418	NP402276	NP402276	422
NP201810	NP201810	418	NP409741	NP409741	422
NP202138	NP202138	418	NP414535	NP414535	422
NP202653	NP202653	418	NP417549	NP417549	422
NP202864	NP202864	418	NP417842	NP417842	422
NP208481	NP208481	418	NP418109	NP418109	422
NP212764	NP212764	418	NP421556	NP421556	422
NP218183	NP218183	418	NP423026	NP423026	423
NP230788	NP230788	418	NP423135	NP423135	423
NP233968	NP233968	418	NP427955	NP427955	423
NP234397	NP234397	418	NP430381	NP430381	423
NP235483	NP235483	418	NP430408	NP430408	423
NP235899	NP235899	419	NP431952	NP431952	423
NP237427	NP237427	419	NP434567	NP434567	423
NP238787	NP238787	419	NP435084	NP435084	423
NP241715	NP241715	419	NP435398	NP435398	423
NP242732	NP242732	419	NP439027	NP439027	423
NP244401	NP244401	419	NP442870	NP442870	423
NP245592	NP245592	419	NP443198	NP443198	423
NP250023	NP250023	419	NP444242	NP444242	423
NP251532	NP251532	419	NP449281	NP449281	423
NP259680	NP259680	419	NP452246	NP452246	423
NP261254	NP261254	419	NP457992	NP457992	423
NP264596	NP264596	419	NP463799	NP463799	424
NP266492	NP266492	419	NP464541	NP464541	424
NP270973	NP270973	419	NP465893	NP465893	424
NP283816	NP283816	419	NP466089	NP466089	424
NP290596	NP290596	419	NP466668	NP466668	424
NP292535	NP292535	420	NP472053	NP472053	424
NP296458	NP296458	420	NP473272	NP473272	424
NP297576	NP297576	420	NP478159	NP478159	424
NP301337	NP301337	420	NP483022	NP483022	424
NP306575	NP306575	420	NP484279	NP484279	424
NP307693	NP307693	420	NP489912	NP489912	424
NP309336	NP309336	420	NP492308	NP492308	424
NP312529	NP312529	420	NP496730	NP496730	424
NP313363	NP313363	420	NP498093	NP498093	424
NP313972	NP313972	420	NP498148	NP498148	424
NP315658	NP315658	420	NP503727	NP503727	424
NP316098	NP316098	420	NP504493	NP504493	425
NP317251	NP317251	420	NP508367	NP508367	425
NP317848	NP317848	420	NP512245	NP512245	425
NP320876	NP320876	420	NP514720	NP514720	425
NP329140	NP329140	420	NP516275	NP516275	425
NP331550	NP331550	421	NP516315	NP516315	425
NP331809	NP331809	421	NP516549	NP516549	425
NP334943	NP334943	421	NP516946	NP516946	425
NP343847	NP343847	421	NP517174	NP517174	425
NP352518	NP352518	421	NP518503	NP518503	425
NP353162	NP353162	421	NP520308	NP520308	425
NP355383	NP355383	421	NP522505	NP522505	425
NP357215	NP357215	421	NP523912	NP523912	425
NP358464	NP358464	421	NP524102	NP524102	425

NUMERICAL INDEX BY INDUSTRY NUMBER

Industry No	Timken No	Page No.	Industry No	Timken No	Page No.
NP525140	NP525140	425	NP692588	NP692588	430
NP525386	NP525386	425	NP692885	NP692885	430
NP528108	NP528108	426	NP693773	NP693773	430
NP531592	NP531592	426	NP694563	NP694563	430
NP533133	NP533133	426	NP696474	NP696474	430
NP535579	NP535579	426	NP697136	NP697136	430
NP535811	NP535811	426	NP697931	NP697931	430
NP547288	NP547288	426	NP698197	NP698197	430
NP547779	NP547779	426	NP700413	NP700413	430
NP548969	NP548969	426	NP701655	NP701655	430
NP549434	NP549434	426	NP703773	NP703773	430
NP550375	NP550375	426	NP706218	NP706218	430
NP552557	NP552557	426	NP712475	NP712475	430
NP554241	NP554241	426	NP715448	NP715448	431
NP555065	NP555065	426	NP716862	NP716862	431
NP559445	NP559445	426	NP717379	NP717379	431
NP560412	NP560412	426	NP717996	NP717996	431
NP561905	NP561905	426	NP718759	NP718759	431
NP565130	NP565130	427	NP719416	NP719416	431
NP566582	NP566582	427	NP720703	NP720703	431
NP568415	NP568415	427	NP722065	NP722065	431
NP568900	NP568900	427	NP724285	NP724285	431
NP569493	NP569493	427	NP728109	NP728109	431
NP570882	NP570882	427	NP731186	NP731186	431
NP573074	NP573074	427	NP735186	NP735186	431
NP576375	NP576375	427	NP735478	NP735478	431
NP577914	NP577914	427	NP738729	NP738729	431
NP579116	NP579116	427	NP739395	NP739395	431
NP581767	NP581767	427	NP739603	NP739603	431
NP592766	NP592766	427	NP747110	NP747110	432
NP593561	NP593561	427	NP750751	NP750751	432
NP594918	NP594918	427	NP757601	NP757601	432
NP597926	NP597926	427	NP758445	NP758445	432
NP599945	NP599945	427	NP761714	NP761714	432
NP603591	NP603591	428	NP763720	NP763720	432
NP606435	NP606435	428	NP765510	NP765510	432
NP609650	NP609650	428	NP769363	NP769363	432
NP611140	NP611140	428	NP771105	NP771105	432
NP621196	NP621196	428	NP777052	NP777052	432
NP621715	NP621715	428	NP780723	NP780723	432
NP624111	NP624111	428	NP785304	NP785304	432
NP626468	NP626468	428	NP785840	NP785840	432
NP628202	NP628202	428	NP799347	NP799347	432
NP635208	NP635208	428	NP799449	NP799449	432
NP636046	NP636046	428	NP801481	NP801481	432
NP641406	NP641406	428	NP802507	NP802507	433
NP647902	NP647902	428	NP806066	NP806066	433
NP652865	NP652865	428	NP813528	NP813528	433
NP654538	NP654538	428	NP819244	NP819244	433
NP655898	NP655898	428	NP821977	NP821977	433
NP656227	NP656227	429	NP823007	NP823007	433
NP659842	NP659842	429	NP823021	NP823021	433
NP660566	NP660566	429	NP825236	NP825236	433
NP665055	NP665055	429	NP831700	NP831700	433
NP666842	NP666842	429	NP834378	NP834378	433
NP669820	NP669820	429	NP835067	NP835067	433
NP672869	NP672869	429	NP836098	NP836098	433
NP673386	NP673386	429	NP837489	NP837489	433
NP673724	NP673724	429	NP837704	NP837704	433
NP673791	NP673791	429	NP839980	NP839980	433
NP674072	NP674072	429	NP840302	NP840302	433
NP674634	NP674634	429	NP841384	NP841384	434
NP679557	NP679557	429	NP844212	NP844212	434
NP681655	NP681655	429	NP844601	NP844601	434
NP681933	NP681933	429	NP847247	NP847247	434
NP683829	NP683829	429	NP850439	NP850439	434
NP686631	NP686631	430	NP851052	NP851052	434
NP688898	NP688898	430	NP851626	NP851626	434
NP691715	NP691715	430	NP852290	NP852290	434

NUMERICAL INDEX BY INDUSTRY NUMBER

Industry No	Timken No	Page No.	Industry No	Timken No	Page No.
NP853895	NP853895	434	NP975201	NP975201	438
NP853900	NP853900	434	NP977722	NP977722	438
NP854000	NP854000	434	NP980884	NP980884	438
NP855422	NP855422	434	NP981262	NP981262	439
NP859261	NP859261	434	NP981435	NP981435	439
NP859982	NP859982	434	NP984350	NP984350	439
NP861151	NP861151	434	NP984494	NP984494	439
NP864314	NP864314	434	NP985346	NP985346	439
NP865268	NP865268	435	NP986901	NP986901	439
NP865283	NP865283	435	NP987549	NP987549	439
NP869339	NP869339	435	NP993044	NP993044	439
NP871543	NP871543	435	NP995513	NP995513	439
NP873173	NP873173	435	NP999210	NP999210	439
NP874005	NP874005	435	NPC-008-RPC	NPC008RPC	2
NP876594	NP876594	435	NPC-010-RPC	NPC010RPC	2
NP879380	NP879380	435	NPC-012-RPC	NPC012RPC	2
NP882000	NP882000	435	NPC-014-RPC	NPC014RPC	2
NP882248	NP882248	435	NPC-015-RPC	NPC015RPC	2
NP883948	NP883948	435	NPC-100-RPC	NPC100RPC	2
NP885315	NP885315	435	NPC-102-RPC	NPC102RPC	2
NP889967	NP889967	435	NPC-103-RPC	NPC103RPC	2
NP896049	NP896049	435	NPC-103-RP2C	NPC103RPCC	2
NP899357	NP899357	435	NPC-104-RPC	NPC104RPC	2
NP901205	NP901205	435	NPC-106-RPC	NPC106RPC	2
NP904081	NP904081	436	NPC-107-RPC	NPC107RPC	2
NP904811	NP904811	436	NPC-108-RPC	NPC108RPC	2
NP905672	NP905672	436	NPS-008-RRC	NPS008RRC	3
NP905784	NP905784	436	NPS-010-RRC	NPS010RRC	3
NP908986	NP908986	436	NPS-012-RRC	NPS012RRC	3
NP909855	NP909855	436	NPS-014-RRC	NPS014RRC	3
NP910345	NP910345	436	NPS-015-RRC	NPS015RRC	3
NP910415	NP910415	436	NPS-100-RRC	NPS100RRC	3
NP913325	NP913325	436	NPS-101-RPC	NPS101RPC	2
NP917572	NP917572	436	NPS-101-RRC	NPS101RRC	3
NP918319	NP918319	436	NPS-102-RRC	NPS102RRC	3
NP918734	NP918734	436	NPS-103-RRC	NPS103RRC	3
NP921376	NP921376	436	NPS-103-RR2C	NPS103RRCC	3
NP926068	NP926068	436	NPS-104-RRC	NPS104RRC	3
NP928171	NP928171	436	NPS-105-RPC	NPS105RPC	2
NP928978	NP928978	436	NPS-105-RRC	NPS105RRC	3
NP929079	NP929079	437	NPS-106-RRC	NPS106RRC	3
NP930036	NP930036	437	NPS-107-RRC	NPS107RRC	3
NP941423	NP941423	437	NPS-107-RP2C	NPS107RPCC	3
NP941813	NP941813	437	NPS-108-RRC	NPS108RRC	3
NP942787	NP942787	437	NTA-1625	NTA1625	155
NP944668	NP944668	437	NTA-2031	NTA2031	155
NP945727	NP945727	437	NTA-2233	NTA2233	155
NP945856	NP945856	437	NTA-2840	NTA2840	155
NP946192	NP946192	437	NTA-815	NTA815	155
NP946311	NP946311	437	NTA-916	NTA916	155
NP948363	NP948363	437	O-513-Q	O513Q	157
NP949481	NP949481	437	P-100-R	P100R	174
NP951065	NP951065	437	P-110-R	P110R	174
NP952605	NP952605	437	P-3106-XDC	P3106XDC	61
NP953382	NP953382	437	P-3112-XDC	P3112XDC	61
NP954445	NP954445	437	P-40-R	P40R	174
NP956328	NP956328	438	P-47-R	P47R	174
NP957262	NP957262	438	P-47-RS	P47RS	174
NP957859	NP957859	438	P-52-RS	P52RS	174
NP961542	NP961542	438	P-62-R	P62R	174
NP962387	NP962387	438	P-62-RS	P62RS	174
NP963662	NP963662	438	P-6361	P6361	24
NP965020	NP965020	438	P-6362	P6362	24
NP965350	NP965350	438	P-6364	P6364	24
NP968527	NP968527	438	P-72-R	P72R	174
NP971375	NP971375	438	P-72-RS	P72RS	174
NP972299	NP972299	438	P-80-R	P80R	174
NP972505	NP972505	438	P-80-RS	P80RS	174
NP975161	NP975161	438	P-85-R	P85R	174

NUMERICAL INDEX BY INDUSTRY NUMBER

Industry No	Timken No	Page No.	Industry No	Timken No	Page No.
P-85-RS	P85RS	174	PWG-2-1/4-RS	PWG214RS	162
P-90-R	P90R	174	PWG-2-3/16-R	PWG2316R	162
PA-1505-C	PA1505C	87	PWG-2-3/16-RS	PWG2316RS	162
PHV-1-1/8-R	PHV118R	163	PWG-2-7/16-R	PWG2716R	162
PHV-1-1/8-RS	PHV118RS	163	PWG-2-7/16-RS	PWG2716RS	162
PNR-1-R	PNR1R	159	PWG-3/4-R	PWG34R	161
PNR-1-RS	PNR1RS	159	PWG-3/4-RS	PWG34RS	161
PNR-1-1/2-R	PNR112R	160	PWG-7/8-R	PWG78R	161
PNR-1-1/2-RS	PNR112RS	160	PWG-7/8-RS	PWG78RS	161
PNR-1-1/4-R	PNR114R	159	PWOL-1-15/16-R	PWOL11516R	165
PNR-1-1/4-RS	PNR114RS	159	PWOL-2-11/16-R	PWOL21116R	165
PNR-1-1/4-2R	PNR1142R	159	PWOL-2-3/16-R	PWOL2316R	165
PNR-1-1/4-2RS	PNR1142RS	159	PWOL-2-7/16-R	PWOL2716R	165
PNR-1-1/8-R	PNR118R	159	PWOL-3-7/16-R	PWOL3716R	165
PNR-1-1/8-RS	PNR118RS	159	PWRH-1-15/16-R	PWRH11516R	166
PNR-1/2-R	PNR12R	159	PWRH-2-11/16-R	PWRH21116R	166
PNR-1/2-RS	PNR12RS	159	PWRH-2-15/16-R	PWRH21516R	166
PNR-1-3/16-RM	PNR1316RM	159	PWRH-2-3/16-R	PWRH2316R	166
PNR-1-3/16-RMS	PNR1316RMS	159	PWRH-2-7/16-R	PWRH2716R	166
PNR-1-3/4-R	PNR134R	160	PWT-1-R	PWT1R	164
PNR-1-3/4-RS	PNR134RS	160	PWT-1-RS	PWT1RS	164
PNR-1-7/16-R	PNR1716R	159	PWT-1-11/16-R	PWT11116R	164
PNR-1-7/16-RS	PNR1716RS	159	PWT-1-11/16-RS	PWT11116RS	164
PNR-3/4-R	PNR34R	159	PWT-1-1/4-R	PWT114R	164
PNR-3/4-RS	PNR34RS	159	PWT-1-1/4-RS	PWT114RS	164
PNR-5/8-R	PNR58R	159	PWT-1-15/16-R	PWT11516R	164
PNR-5/8-RS	PNR58RS	159	PWT-1-15/16-RS	PWT11516RS	164
PNR-7/8-R	PNR78R	159	PWT-1-7/16-R	PWT1716R	164
PNR-7/8-RS	PNR78RS	159	PWT-1-7/16-RS	PWT1716RS	164
PR-6206	PR6206	22	Q-11406	Q11406	156
PR-6901	PR6901	22	Q-13367	Q13367	156
PS-6744	PS6744	24	Q-15902	Q15902	157
PWG-1-R	PWG1R	161	Q-6086	Q6086	156
PWG-1-RS	PWG1RS	161	Q-8113	Q8113	156
PWG-1-11/16-R	PWG11116R	162	Q-8296	Q8296	156
PWG-1-11/16-RS	PWG11116RS	162	Q-8304	Q8304	156
PWG-1-1/2-R	PWG112R	162	Q-8308	Q8308	156
PWG-1-1/2-RS	PWG112RS	162	Q-8320	Q8320	156
PWG-1-13/16-R	PWG11316R	162	Q-8321	Q8321	156
PWG-1-13/16-RS	PWG11316RS	162	Q-8324	Q8324	156
PWG-1-1/4-R	PWG114R	161	Q-8371	Q8371	156
PWG-1-1/4-RS	PWG114RS	161	QA-19792	QA19792	157
PWG-1-15/16-R	PWG11516R	162	QA-47838	QA47838	156
PWG-1-15/16-RS	PWG11516RS	162	QA-48181-A	QA48181A	156
PWG-1-1/8-R	PWG118R	161	QAR-29523	QAR29523	157
PWG-1-1/8-RS	PWG118RS	161	QAR-33724	QAR33724	156
PWG-13/16-R	PWG1316R	161	QAR-34604	QAR34604	157
PWG-1-3/16-RM	PWG1316RM	161	QAR-35319	QAR35319	156
PWG-1-3/16-RMS	PWG1316RMS	161	QBR-23549	QBR23549	157
PWG-13/16-RS	PWG1316RS	161	QBR-35171	QBR35171	157
PWG-1-3/4-R	PWG134R	162	QBR-42536	QBR42536	157
PWG-1-3/4-RS	PWG134RS	162	QBR-49845	QBR49845	157
PWG-1-3/8-R	PWG138R	161	R-10-CC	R10CC	50
PWG-1-3/8-RS	PWG138RS	161	R-10-SS	R10SS	50
PWG-15/16-R	PWG1516R	161	R-12-SS	R12SS	50
PWG-1-5/16-RM	PWG1516RM	162	R-1304-BF	R1304BF	105, 119
PWG-1-5/16-RMS	PWG1516RMS	162	R-14-CC	R14CC	50
PWG-15/16-RS	PWG1516RS	161	R-14-SS	R14SS	50
PWG-1-5/8-R	PWG158R	162	R-1500-EL	R1500EL	109, 122
PWG-1-5/8-RS	PWG158RS	162	R-1535-TAV	R1535TAV	105, 122
PWG-1-7/16-R	PWG1716R	162	R-1558-TAV	R1558TAV	105, 122
PWG-1-7/16-RS	PWG1716RS	162	R-1561-TV	R1561TV	109, 122
PWG-1-7/8-R	PWG178R	162	R-1581-TV	R1581TV	106, 123
PWG-1-7/8-RS	PWG178RS	162	R-16-SS	R16SS	50
PWG-1-9/16-R	PWG1916R	162	R-1605-C	R1605C	87
PWG-1-9/16-RS	PWG1916RS	162	R-1625-C	R1625C	88
PWG-2-R	PWG2R	162	R-4-CC	R4CC	50
PWG-2-RS	PWG2RS	162	R-4-SS	R4SS	50
PWG-2-1/4-R	PWG214R	162	R-6-CC	R6CC	50

NUMERICAL INDEX BY INDUSTRY NUMBER

Industry No	Timken No	Page No.	Industry No	Timken No	Page No.
R-6-SS	R6SS	50	SCE-148	SCE148	148
R-8-CC	R8CC	50	SCE-188	SCE188	148
R-8-SS	R8SS	50	SCE-2014-P	SCE2014P	149
RA-1502-EL	RA1502EL	108, 122	SCE-2420	SCE2420	150
RA-1562-EBL	RA1562EBL	105, 122	SCH-1310	SCH1310	147
RA-1567-EBL	RA1567EBL	107, 122	SCH-1810	SCH1810	149
RA-1572-EBL	RA1572EBL	109, 123	SCH-2216	SCH2216	150
RB-01658-C	RB01658C	90	SCH-78	SCH78	146
RR-1522-EHL	RR1522EHL	115, 122	SNPS-008-RR	SNPS008RR	13
RS-5305-W	RS5305W	106, 124	SNPS-010-RR	SNPS010RR	13
RSN-1584-EV	RSN1584EV	109, 123	SNPS-012-RR	SNPS012RR	13
RU-1547-L	RU1547L	115, 122	SNPS-014-RR	SNPS014RR	13
RU-1549-L	RU1549L	105, 122	SNPS-015-RR	SNPS015RR	13
RU-1570-UBM	RU1570UBM	107, 122	SNPS-100-RR	SNPS100RR	13
RU-1570-UM	RU1570UM	107, 122	SNPS-102-RR	SNPS102RR	13
RU-8509-TM	RU8509TM	109, 124	SNPS-103-RR	SNPS103RR	13
RU-9008-UM	RU9008UM	108, 124	SNPS-103-RR2	SNPS103RRA	13
RUB-1523-DV	RUB1523DV	116, 122	SNPS-104-RR	SNPS104RR	13
RUB-1570-UM	RUB1570UM	106, 122	SNPS-106-RR	SNPS106RR	13
RUB-1580-EBFR	RUB1580EBFR	109, 123	SNPS-107-RR	SNPS107RR	13
RW-101	RW101	447	SNPS-108-RR	SNPS108RR	13
RW-102-R	RW102R	447, 448	SNPS-20-RR	SNPS20RR	13
RW-114-R	RW114R	447, 448	SNPS-25-RR	SNPS25RR	13
RW-116	RW116	447	SP-450100	SP450100	130
RW-117	RW117	447	SP-450101	SP450101	130
RW-122	RW122	447	SP-450200	SP450200	130
RW-124-R	RW124R	447, 448	SP-450201	SP450201	130
RW-125	RW125	447	SP-550100	SP550100	136
RW-127-R	RW127R	447	SP-550101	SP550101	137
RW-128-R	RW128R	447	SP-550200	SP550200	137
RW-129-R	RW129R	447	SP-550201	SP550201	137
RW-130-R	RW130R	448	SP-550300	SP550300	137
RW-207-CCRA	RW207CCRA	447, 448	SP-550301	SP550301	137
RW-307-R	RW307R	447, 448	SP-550302	SP550302	137
RW-506-AR	RW506AR	447	SP-550303	SP550303	137
RW-507-CR	RW507CR	447	SP-550304	SP550304	137
RW-507-ER	RW507ER	447, 448	SP-580100	SP580100	137
RW-508-BR	RW508BR	447	SP-580101	SP580101	137
RW-509-FR	RW509FR	448	SP-580300	SP580300	137
RW-607-NR	RW607NR	447	SP-580301	SP580301	137
RWC-35-YR	RWC35YR	447	SP-580302	SP580302	137
RWF-34-R	RWF34R	447	SP-580303	SP580303	137
S-128	S128	147	SPB-1	SPB1	183
S-202-FF	S202FF	59	SPB-1-1/4	SPB114	183
S-203-FF	S203FF	60	SPB-1/2	SPB12	183
S-204-FF	S204FF	60	SPB-13/16	SPB1316	183
S-205-FF	S205FF	60	SPB-15/16	SPB1516	183
S-206-FF	S206FF	61	SPB-3/4	SPB34	183
S-207-FF	S207FF	61	SPB-5/8	SPB58	183
S-208-FF	S208FF	61	SPB-7/8	SPB78	183
S-209-FF	S209FF	61	SPB-9/16	SPB916	183
S-268	S268	151	SPNR-1-RS	SPNR1RS	167
S-305-FF	S305FF	66	SPNR-1-1/2-RS	SPNR112RS	167
S-443-Q	S443Q	156	SPNR-1-1/4-RS	SPNR114RS	167
S-444-Q	S444Q	156	SPNR-1-1/4-2RS	SPNR1142RS	167
SAFNR-1-R	SFNR1R	170	SPNR-1-1/8-RS	SPNR118RS	167
SAFNR-1-1/2-R	SFNR112R	170	SPNR-1/2-RS	SPNR12RS	167
SAFNR-1-1/4-R	SFNR114R	170	SPNR-1-3/16-RSM	SPNR1316RSM	167
SAFNR-1-1/4-2R	SFNR1142R	170	SPNR-1-3/8-RS	SPNR138RS	167
SAFNR-1-7/16-R	SFNR1716R	170	SPNR-15/16-RS	SPNR1516RS	167
SAFNR-3/4-R	SFNR34R	170	SPNR-1-7/16-RS	SPNR1716RS	167
SATNR-1-R	STNR1R	173	SPNR-3/4-RS	SPNR34RS	167
SATNR-1-1/4-R	STNR114R	173	SPNR-5/8-RS	SPNR58RS	167
SATNR-1/2-R	STNR12R	173	SPNR-7/8-RS	SPNR78RS	167
SATNR-3/4-R	STNR34R	173	T-40-R	T40R	175
SATNR-5/8-R	STNR58R	173	T-47-R	T47R	175
SCE-108	SCE108	147	T-52-R	T52R	175
SCE-1211	SCE1211	147	T-62-R	T62R	175
SCE-1295	SCE1295	147	T-72-R	T72R	175

NUMERICAL INDEX BY INDUSTRY NUMBER

Industry No	Timken No	Page No.	Industry No	Timken No	Page No.
T-80-R	T80R	175	WPC-100-TRC	WPC100TRC	5
T-85-R	T85R	175	WPC-102-GPC	WPC102GPC	4
T-90-R	T90R	175	WPC-103-GPC	WPC103GPC	4
TB-7623	TB7623	23	WPC-103-TRC	WPC103TRC	5
TB-8570	TB8570	23	WPC-103-GP2C	WPC103GRCC	4
TC-2435	TC2435	155	WPC-104-TRC	WPC104TRC	5
TFO-1561-R	TFO1561R	109, 122	WPC-107-GPC	WPC107GPC	4
TGM-1561-R	TGM1561R	109, 122	WPC-108-TPC	WPC108TPC	4
TNR-1-R	TNR1R	171	WPC-115-GPC	WPC115GPC	4
TNR-1-1/2-R	TNR112R	171	WPC-115-GRC	WPC115GRC	5
TNR-1-1/4-R	TNR114R	171	WPC-203-GPC	WPC203GPC	4
TNR-1-1/8-R	TNR118R	171	WPC-203-GRC	WPC203GRC	5
TNR-1/2-R	TNR12R	171	WPCH-102-C	WPCH102C	12
TNR-1-3/16-RM	TNR1316RM	171	WPCH-114-C	WPCH114C	12
TNR-1-3/8-R	TNR138R	171	WPS-012-GRC	WPS012GRC	7
TNR-1-5/16-RM	TNR1516RM	171	WPS-013-GRC	WPS013GRC	7
TNR-1-7/16-R	TNR1716R	171	WPS-014-GPC	WPS014GPC	6
TNR-3/4-R	TNR34R	171	WPS-014-GRC	WPS014GRC	7
TNR-5/8-R	TNR58R	171	WPS-015-GRC	WPS015GRC	7
TNR-7/8-R	TNR78R	171	WPS-100-GPC	WPS100GPC	6
TO-1710	TO1710	86	WPS-100-GRC	WPS100GRC	7
TR-1715	TR1715	85	WPS-101-GRC	WPS101GRC	7
TR-1716	TR1716	85	WPS-102-GPC	WPS102GPC	6
TRP-1559-TV	TRP1559TV	109, 122	WPS-102-GRC	WPS102GRC	7
TRP-1563-TAV	TRP1563TAV	107, 122	WPS-103-GRC	WPS103GRC	7
TRP-57509	TRP57509	107, 125	WPS-103-GP2C	WPS103GPCC	6
TRP-59047	TRP59047	109, 125	WPS-103-GR2C	WPS103GRCC	7
TT-2092-HH	TT2092HH	90	WPS-104-GPC	WPS104GPC	6
TU-52-R	TU52R	179	WPS-104-GRC	WPS104GRC	7
TWG-1-R	TWG1R	172	WPS-105-GRC	WPS105GRC	7
TWG-1-11/16-R	TWG11116R	172	WPS-106-GPEC	WPS106GPEC	12
TWG-1-1/2-R	TWG112R	172	WPS-106-GRC	WPS106GRC	7
TWG-1-1/4-R	TWG114R	172	WPS-107-GPC	WPS107GPC	6
TWG-1-15/16-R	TWG11516R	172	WPS-107-GRC	WPS107GRC	7
TWG-1-3/16-RM	TWG1316RM	172	WPS-108-GPC	WPS108GPC	6
TWG-1-3/4-R	TWG134R	172	WPS-108-GRC	WPS108GRC	7
TWG-1-3/8-R	TWG138R	172	WPS-109-GRC	WPS109GRC	7
TWG-1-7/16-R	TWG1716R	172	WPS-110-GRC	WPS110GRC	7
TWG-3/4-R	TWG34R	172	WPS-111-GRC	WPS111GRC	7
V-1505-C	V1505C	87	WPS-112-GRC	WPS112GRC	7
VW-1006-C	VW1006C	90	WPS-113-GRC	WPS113GRC	7
VW-1339-C	VW1339C	87	WPS-114-GRC	WPS114GRC	7
W-1505-C	W1505C	87	WPS-115-GRC	WPS115GRC	7
W-1518-Q	W1518Q	157	WPS-200-GRC	WPS200GRC	8
W-1590-Q	W1590Q	157	WPS-203-GRC	WPS203GRC	8
W-204-CC	W204CC	68	WPS-203-TPC	WPS203TPC	6
W-205-CC	W205CC	68	WPS-204-GRC	WPS204GRC	8
W-206-FF	W206FF	68	WPS-207-GRC	WPS207GRC	8
W-207-CC	W207CC	68	WPSH-114-RRC	WPSH114RRC	9
W-208-CC	W208CC	68	WPSH-115-RRC	WPSH115RRC	9
W-209-CC	W209CC	68	WPSH-200-RRC	WPSH200RRC	9
W-304-CC	W304CC	68	WPSH-203-RRC	WPSH203RRC	9
W-305-CC	W305CC	68	WPSH-207-RRC	WPSH207RRC	9
W-306-FF	W306FF	68	WPSH-211-RRC	WPSH211RRC	9
W-307-CC	W307CC	68	WPSH-215-RRC	WPSH215RRC	9
W-309-CC	W309CC	68	WPSH-303-RRC	WPSH303RRC	9
W-585-Q	W585Q	157	WPSH307-RRC	WPSH307RRC	9
W-67220-DAH	W67220DAH	116, 125	WPSH-315-RRC	WPSH315RRC	9
WC-87500	WC87500	71	WR-61209-EX	WR61209EX	109, 125
WC-87502	WC87502	71	WR-67315-EAHBX	WR67315EAHBX	115, 125
WC-87503	WC87503	71	WRB-61312-EHX	WRB61312EHX	111, 125
WC-87504	WC87504	71	WRB-61314-EHBX	WRB61314EHBX	113, 125
WC-87505	WC87505	71	WRB-62222-EAHX	WRB62222EAHX	116, 125
WC-88503	WC88503	71	WRB-67217-EAHX	WRB67217EAHX	114, 125
WJ-162116	WJ162116	148	WRB-67315-EAHBX	WRB67315EAHBX	113, 125
WJ-182420	WJ182420	148	WRC-61312-EHX	WRC61312EHX	112, 125
WPC-012-GPC	WPC012GPC	4	WRC-67220-EAHX	WRC67220EAHX	115, 125
WPC-014-GPC	WPC014GPC	4	WRE-68215-EAHX	WRE68215EAHX	112, 125
WPC-100-GPC	WPC100GPC	4	WSN-61219-EV	WSN61219EV	115, 125

NUMERICAL INDEX BY INDUSTRY NUMBER

Industry No	Timken No	Page No.
WU-61219-CAHV	WU61219CAHV	115, 125
WU-61307-GUM	WU61307GUM	107, 125
WU-67320-SAHX	WU67320SAHX	116, 125
WUC-61036-CHBV	WUC61036CHBV	116, 125
WUF-67220-X	WUF67220X	114, 125
X-2304	X2304	12
XAA30205-Y30205	XAA30205-Y30205	204, 359
XAA30205-YAA30205	XAA30205-YAA30205	204, 359
XAA32004X-YAA32004X	XAA32004X-YAA32004X..	201, 362
XAA32004X-Y32004X	XAA32004X-Y32004X	201, 362
XAA32005X-YAA32005X	XAA32005X-YAA32005X..	203, 363
XAA32005X-Y32005X	XAA32005X-Y32005X	203, 363
XAA32008XY32008X	XAA32008X-Y32008X	225, 363
XAA32010X-Y32010X	XAA32010X-Y32010X	239, 363
XAA32013X-Y32013X	XAA32013X-Y32013X	256, 363
XAA33212-Y33212	XAA33212-Y33212	252, 368
XGA33211Y33211	XGA33211-Y33211	244, 368
XLA33211XLA33211	XLA33211-XLA33211	198, 413
XLA33211Y33211	XLA33211-Y33211	240, 368
XLS-1-3/4	XLS134	81
XLS-2-1/2	XLS212	81
XLS-2-1/4	XLS214	81
XLS-2-3/4	XLS234	81
XLS-3	XLS3	81
XLS-3-1/2	XLS312	81
XLS-3-1/2-AG	XLS312AG	82
XLS-3-1/4-ASG	XLS314ASG	81
XLS-3-1/4-FFA	XLS314FFA	82
XLS-3-3/4-G	XLS334G	82
XLS-4	XLS4	81
XLS-4-1/2	XLS412	81
XLS-4-1/2-G	XLS412G	82
XLS-4-1/2-S	XLS412S	81
XLS-4-1/4	XLS414	81
XLS-4-1/8	XLS418	81
XLS-4-3/4	XLS434	81
XLS-5	XLS5	81
XLS-5-1/2	XLS512	81
XLS-5-1/8-AS	XLS518AS	81

CONVERSION CHART

Inch Fraction	Decimal	0	1	2	3	4	5	6	7	8	9	10	11	12
		1	2	3	4	5	6	7	8	9	10	11	12	12
0	-	-	25.400	50.800	76.200	101.600	127.000	152.400	177.800	203.200	228.600	254.001	279.401	304.801
1/64	0.0156	0.396	25.796	51.196	76.596	101.996	127.396	152.797	178.197	203.597	228.997	254.397	279.797	305.197
1/32	0.0313	0.795	26.195	51.595	76.995	102.395	127.795	153.195	178.595	203.995	229.395	254.796	280.196	305.596
3/64	0.0469	1.191	26.591	51.991	77.391	102.791	128.192	153.592	178.992	204.392	229.792	255.192	280.592	305.992
1/16	0.0625	1.588	26.988	52.388	77.788	103.188	128.588	153.988	179.388	204.788	230.188	255.588	280.988	306.388
5/64	0.0781	1.984	27.384	52.784	78.184	103.584	128.984	154.384	179.784	205.184	230.584	255.984	281.384	306.784
3/32	0.0938	2.383	27.783	53.183	78.583	103.983	129.383	154.783	180.183	205.583	230.983	256.383	281.783	307.183
7/64	0.1094	2.779	28.179	53.579	78.979	104.379	129.779	155.179	180.579	205.979	231.379	256.779	282.179	307.579
1/8	0.1250	3.175	28.575	53.975	79.375	104.775	130.175	155.575	180.975	206.375	231.775	257.176	282.576	307.976
9/64	0.1406	3.571	28.971	54.371	79.771	105.171	130.572	155.972	181.372	206.772	232.172	257.572	282.972	308.372
5/32	0.1563	3.970	29.370	54.770	80.170	105.570	130.970	156.370	181.770	207.170	232.570	257.971	283.371	308.771
11/64	0.1719	4.366	29.766	55.166	80.566	105.966	131.367	156.767	182.167	207.567	232.967	258.367	283.767	309.167
3/16	0.1875	4.763	30.163	55.563	80.963	106.363	131.763	157.163	182.563	207.963	233.363	258.763	284.163	309.563
13/64	0.2031	5.159	30.559	55.959	81.359	106.759	132.159	157.559	182.959	208.359	233.759	259.159	284.559	309.959
7/32	0.2188	5.558	30.958	56.358	81.758	107.158	132.558	157.958	183.358	208.758	234.158	259.558	284.958	310.358
15/64	0.2344	5.954	31.354	56.754	82.154	107.554	132.954	158.354	183.754	209.154	234.554	259.954	285.354	310.754
1/4	0.2500	6.350	31.750	57.150	82.550	107.950	133.350	158.750	184.150	209.550	234.950	260.351	285.751	311.151
17/64	0.2656	6.746	32.146	57.546	82.946	108.346	133.747	159.147	184.547	209.947	235.347	260.747	286.147	311.547
9/32	0.2813	7.145	32.545	57.945	83.345	108.745	134.145	159.545	184.945	210.345	235.745	261.146	286.546	311.946
19/64	0.2969	7.541	32.941	58.341	83.741	109.141	134.542	159.942	185.342	210.742	236.142	261.542	286.942	312.342
5/16	0.3125	7.938	33.338	58.738	84.138	109.538	134.938	160.338	185.738	211.138	236.538	261.938	287.338	312.738
21/64	0.3281	8.334	33.734	59.134	84.534	109.934	135.334	160.734	186.134	211.534	236.934	262.334	287.734	313.134
11/32	0.3438	8.733	34.133	59.533	84.933	110.333	135.733	161.133	186.533	211.933	237.333	262.733	288.133	313.533
23/64	0.3594	9.129	34.529	59.929	85.329	110.729	136.129	161.529	186.929	212.329	237.729	263.129	288.529	313.929
3/8	0.3750	9.525	34.925	60.325	85.725	111.125	136.525	161.925	187.325	212.725	238.125	263.526	288.926	314.326
25/64	0.3906	9.921	35.321	60.721	86.121	111.521	136.922	162.322	187.722	213.122	238.522	263.922	289.322	314.722
13/32	0.4063	10.320	35.720	61.120	86.520	111.920	137.320	162.720	188.120	213.520	238.920	264.321	289.721	315.121
27/64	0.4219	10.716	36.116	61.516	86.916	112.316	137.717	163.117	188.517	213.917	239.317	264.717	290.117	315.517
7/16	0.4375	11.113	36.513	61.913	87.313	112.713	138.113	163.513	188.913	214.313	239.713	265.113	290.513	315.913
29/64	0.4531	11.509	36.909	62.309	87.709	113.109	138.509	163.909	189.309	214.709	240.109	265.509	290.909	316.309
15/32	0.4688	11.908	37.308	62.708	88.108	113.508	138.908	164.308	189.708	215.108	240.508	265.908	291.308	316.708
31/64	0.4844	12.304	37.704	63.104	88.504	113.904	139.304	164.704	190.104	215.504	240.904	266.304	291.704	317.104
1/2	0.5000	12.700	38.100	63.500	88.900	114.300	139.700	165.100	190.500	215.900	241.300	266.701	292.101	317.501
33/64	0.5156	13.096	38.496	63.896	89.296	114.696	140.097	165.497	190.897	216.297	241.697	267.097	292.497	317.897
17/32	0.5313	13.495	38.895	64.295	89.695	115.095	140.495	165.895	191.295	216.695	242.096	267.496	292.896	318.296
35/64	0.5469	13.891	39.291	64.691	90.091	115.491	140.892	166.292	191.692	217.092	242.492	267.892	293.292	318.692
9/16	0.5625	14.288	39.688	65.088	90.488	115.888	141.288	166.688	192.088	217.488	242.888	268.288	293.688	319.088
37/64	0.5781	14.684	40.084	65.484	90.884	116.284	141.684	167.084	192.484	217.884	243.284	268.684	294.084	319.484
19/32	0.5938	15.083	40.483	65.883	91.283	116.683	142.083	167.483	192.883	218.283	243.683	269.083	294.483	319.883
39/64	0.6094	15.479	40.879	66.279	91.679	117.079	142.479	167.879	193.279	218.679	244.079	269.479	294.879	320.279
5/8	0.6250	15.875	41.275	66.675	92.075	117.475	142.875	168.275	193.675	219.075	244.475	269.876	295.276	320.676
41/64	0.6406	16.271	41.671	67.071	92.471	117.871	143.272	168.672	194.072	219.472	244.872	270.272	295.672	321.072
21/32	0.6563	16.670	42.070	67.470	92.870	118.270	143.670	169.070	194.470	219.870	245.271	270.671	296.071	321.471
43/64	0.6719	17.066	42.466	67.866	93.266	118.666	144.067	169.467	194.867	220.267	245.667	271.067	296.467	321.867
11/16	0.6875	17.463	42.863	68.263	93.663	119.063	144.463	169.863	195.263	220.663	246.063	271.463	296.863	322.263
45/64	0.7031	17.859	43.259	68.659	94.059	119.459	144.859	170.259	195.659	221.059	246.459	271.859	297.259	322.659
23/32	0.7188	18.258	43.658	69.058	94.458	119.858	145.258	170.658	196.058	221.458	246.858	272.258	297.658	323.058
47/64	0.7344	18.654	44.054	69.454	94.854	120.254	145.654	171.054	196.454	221.854	247.254	272.654	298.054	323.454
3/4	0.7500	19.050	44.450	69.850	95.250	120.650	146.050	171.450	196.850	222.250	247.650	273.051	298.451	323.851
49/64	0.7656	19.446	44.846	70.246	95.646	121.046	146.447	171.847	197.247	222.647	248.047	273.447	298.847	324.247
25/32	0.7813	19.845	45.245	70.645	96.045	121.445	146.845	172.245	197.645	223.045	248.446	273.846	299.246	324.646
51/64	0.7969	20.241	45.641	71.041	96.441	121.842	147.242	172.642	198.042	223.442	248.842	274.242	299.642	325.042
13/16	0.8125	20.638	46.038	71.438	96.838	122.238	147.638	173.038	198.438	223.838	249.238	274.638	300.038	325.438
53/64	0.8281	21.034	46.434	71.834	97.234	122.634	148.034	173.434	198.834	224.234	249.634	275.034	300.434	325.834
27/32	0.8438	21.433	46.833	72.233	97.633	123.033	148.433	173.833	199.233	224.633	250.033	275.433	300.833	326.233
55/64	0.8594	21.829	47.229	72.629	98.029	123.429	148.829	174.229	199.629	225.029	250.429	275.829	301.229	326.629
7/8	0.8750	22.225	47.625	73.025	98.425	123.825	149.225	174.625	200.025	225.425	250.826	276.226	301.626	327.026
57/64	0.8906	22.621	48.021	73.421	98.821	124.221	149.622	175.022	200.422	225.822	251.222	276.622	302.022	327.422
29/32	0.9063	23.020	48.420	73.820	99.220	124.620	150.020	175.420	200.820	226.220	251.621	277.021	302.421	327.821
59/64	0.9219	23.416	48.816	74.216	99.616	125.017	150.417	175.817	201.217	226.617	252.017	277.417	302.817	328.217
15/16	0.9375	23.813	49.213	74.613	100.013	125.413	150.813	176.213	201.613	227.013	252.413	277.813	303.213	328.613
61/64	0.9531	24.209	49.609	75.009	100.409	125.809	151.209	176.609	202.009	227.409	252.809	278.209	303.609	329.009
31/32	0.9688	24.608	50.008	75.408	100.808	126.208	151.608	177.008	202.408	227.808	253.208	278.608	304.008	329.408
63/64	0.9844	25.004	50.404	75.804	101.204	126.604	152.004	177.404	202.804	228.204	253.604	279.004	304.404	329.804

TIMKEN Set Interchange

BEARING SET NUMBERS			BEARING NUMBERS
TIMKEN	CR	FEDERAL MOGUL	CONE/CUP
SET1	BR1	A-1	LM11749/LM11710
SET2	BR2	A-2	LM11949/LM11910
SET3	BR3	A-3	M12649/M12610
SET4	BR4	A-4	L44649/L44610
SET5	BR5	A-5	LM48548/LM48510
SET6	BR6	A-6	LM67048/LM67010
SET7	BR7	A-7	M201047/M201011 w/ locking collar
SET8	BR8	A-15	L45449/L45410
SET9	BR9	A-9	U298/U261L w/locking collar
SET10	BR10	A-10	U399/U360L w/locking collar
SET11	BR11	A-18	JL69349/JL69310
SET12	BR12	A-12	LM12749/LM12710
SET13	BR13	A-13	L68149/L68110
SET14	BR14	A-14	L44643/L44610
SET15	BR15	A-19	07100/07196
SET16	BR16	A-16	LM12749/LM12711
SET17	BR17	A-17	L68149/L68111
SET20	BR20	A-20	U399A/U365L w/locking collar & seal
SET21	BR21	A-21	1988/1922
SET22	BR22	A-29	2 of (LM67045)/2 of (LM67010-Z)
SET23	BR23	A-23	LM104949E-904A2
SET24	BR24	A-31	JL68145/JL68111-Z (Sold as Set Only)
SET25	BR25	A-22	JLM506848E-90K02
SET26	BR26	A-40	JLM104946/JLM104910-Z
SET27	BR31	A-24	Components - Not Sold Separately
SET28	BR28	A-28	J15585/15520
SET30	BR30	A-30	JLM67042/LM67010 (Sold as Set Only)
SET32	BR32	A-32	Components - Not Sold Separately
SET33	BR33	A-33	Components - Not Sold Separately
SET34	BR34	A-34	LM12748F/LM12710
SET35	B35	B35	JRM3534-90U01
SET36	BR36	A-36	LM603049/LM603012
SET37	BR37	A-37	LM603049/LM603011
SET38	BR38	A-38	LM104949/LM104911
SET39	FW113	B38	JRM3939-90U08
SET40	B39	B39	JRM4040A-90U02
SET41	BR41	A-41	Components - Not Sold Separately
SET42	BR42	A-42	JLM506849A/JLM506811
SET43	BR43	A-43	Components - Not Sold Separately
SET45	BR35	A-35	LM501349/LM501310
SET46	BR39	A-39	JL26749F/JL26710
SET47	BR50	None	LM102949/LM102910
SET48	B42	513006	JRM4042-90UA1
SET49	FW115	513058	JRM4249-90UA1

MileMate® Matched Wheel Bearing Sets

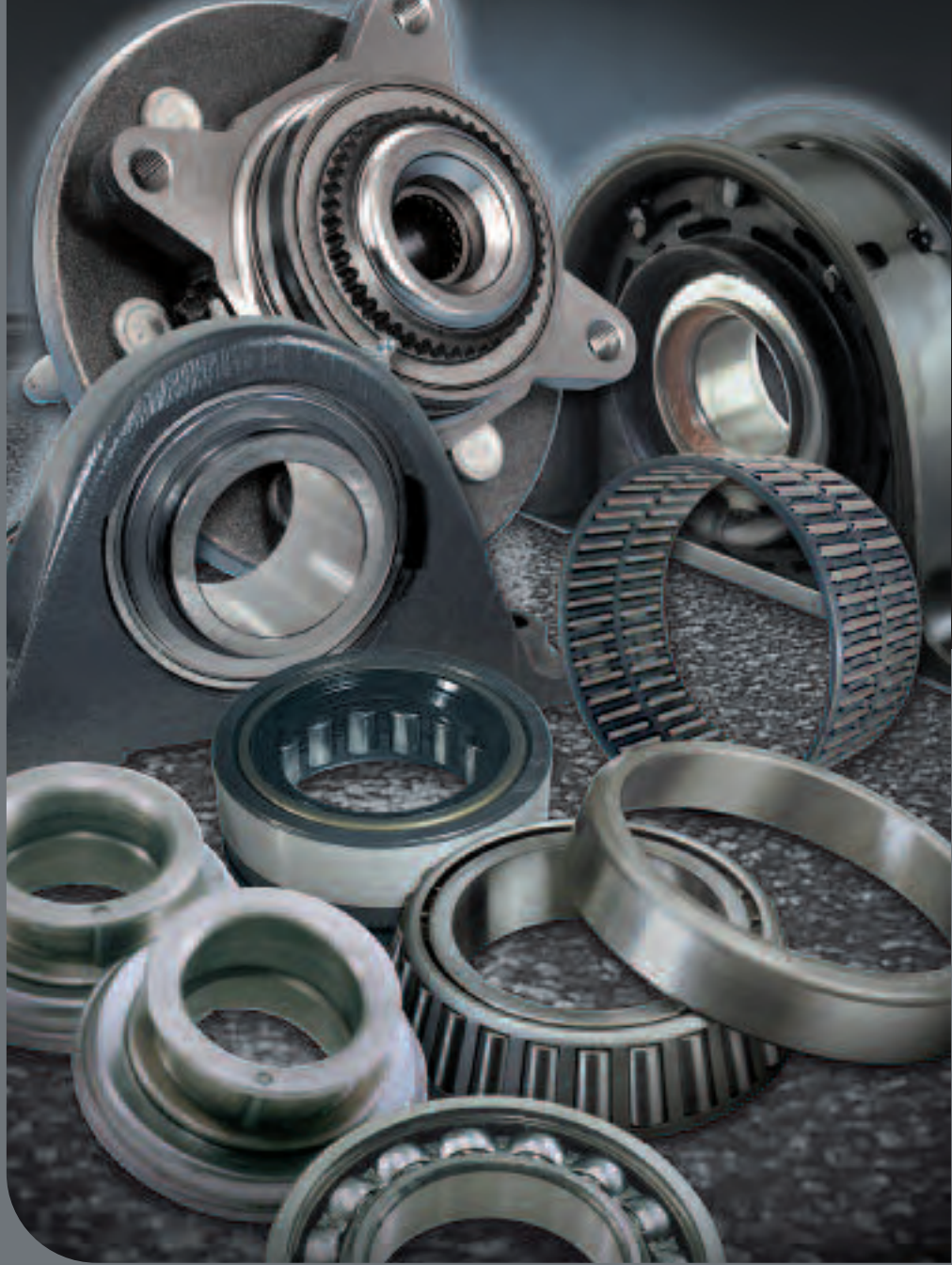
TIMKEN MILEMATE NO.	TIMKEN PART NUMBER	TIMKEN MILEMATE NO.	TIMKEN PART NUMBER
SET401	580/572	SET420	H715345/H715311
SET402	582/572	SET421	HM516449A/HM516410
SET403	594A/592A	SET422	HM516449C/HM516410
SET404	598A/592A	SET423	6461A/6420
SET405	663/653	SET424	555-S/552A
SET406	3782/3720	SET425	567/563
SET407	28682/28622	SET426	47679/47620
SET408	39590/39520	SET427	NP899357/NP026773
SET409	45280/45220	SET428	NP874005/NP435398
SET410	45284/45220	SET429	NP034946/NP363298
SET411	47686/47620	SET430	NP840302/NP053874
SET412	HM212047/HM212011	SET431	NP965350/NP503727
SET413	HM212049/HM212011	SET432	NP174964/NP593561
SET414	HM218248/HM218210	SET433	NP431952/NP378092
SET415	HM518445/HM518410	SET434	NP555065/NP720703
SET416	45291/45220	SET435	NP568900/NP107783
SET417	47890/47820	SET436	NP577914/NP975161
SET418	H715334/H715311	SET437	NP022333/NP250023
SET419	H715343/H715311	SET438	NP417549/NP156827

US \$10

TIMKEN THE NAME THAT DELIVERS

BEARINGS

- Ball Bearings
- Clutch Release Bearings
- Cylindrical Bearings
- Cylindrical Repair Bearings
- Needle Bearings
- Tapered Bearings



Timken® is the registered trademark of
The Timken Company.
www.timken.com

© 2002 The Timken Company
Printed In the U.S.A.
50M-12-02-11 Order No. 7534

TIMKEN

WORLDWIDE LEADER IN BEARINGS AND STEEL